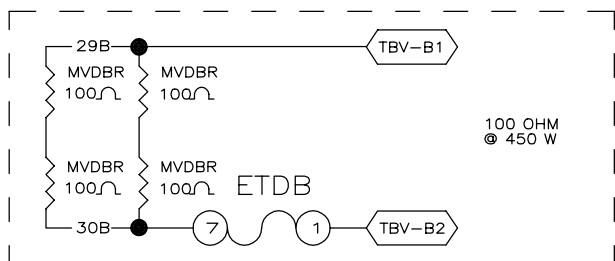
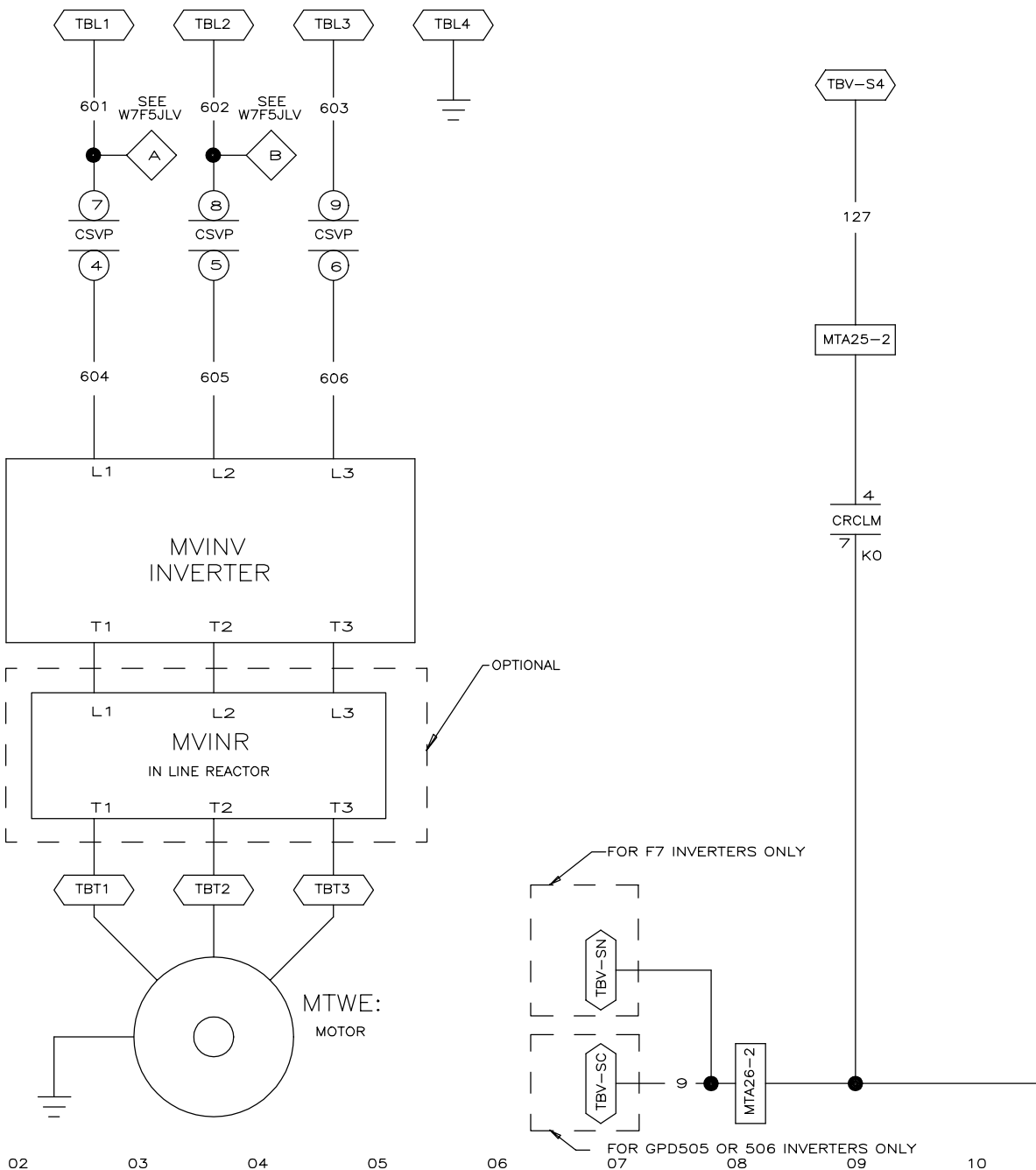
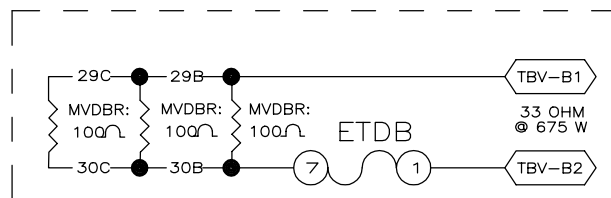


FOR 7.5 HP INVERTER

HIGH VOLTAGE



LOW VOLTAGE



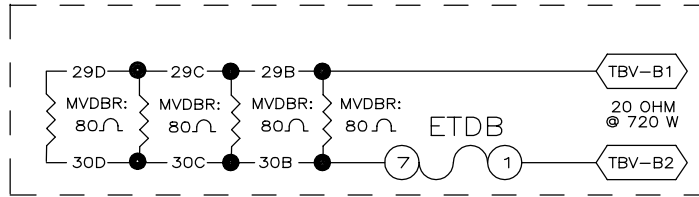
LITHO IN U.S.A.

00 01 02 03 04 05 06 07 08 09 10

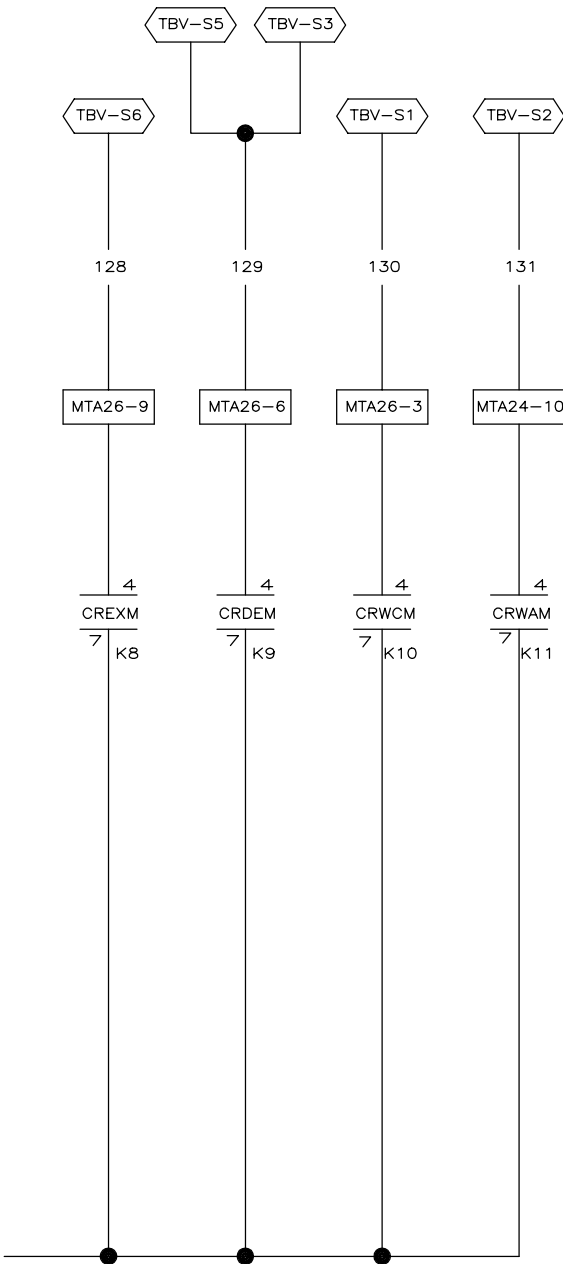
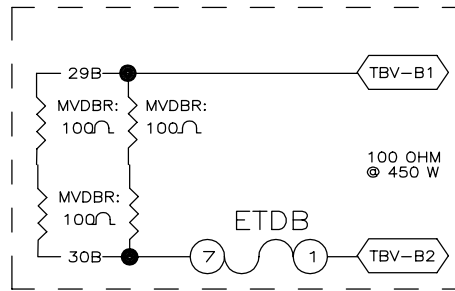
W7F5JVPB  
2003163B

FOR 10 HP INVERTER

LOW VOLTAGE



HIGH VOLTAGE



# W7F5JVPB

MICRO 7 SYSTEMS MARK V

FOR 36 AND 42 F#J OR V#J ONLY

MODIFIED FOR GPD505, 506 & F7 INVERTER

SCHEMATIC: VARIABLE SPEED CONTROLLER

PELLERIN MILNOR CORPORATION

	CW		CCW		
	K10	K11	K0	K8	K9
WASH 1	X				
WASH 2	X		X		
DRAIN	X			X	
EXTRACT 1	X				X
EXTRACT 2	X		X		X
EXTRACT 3	X			X	X
OUT OF EXTRACT					X

NOTES:

1. TBV IS LOCATED ON VARIABLE SPEED CONTROLLER CONTROLLER.