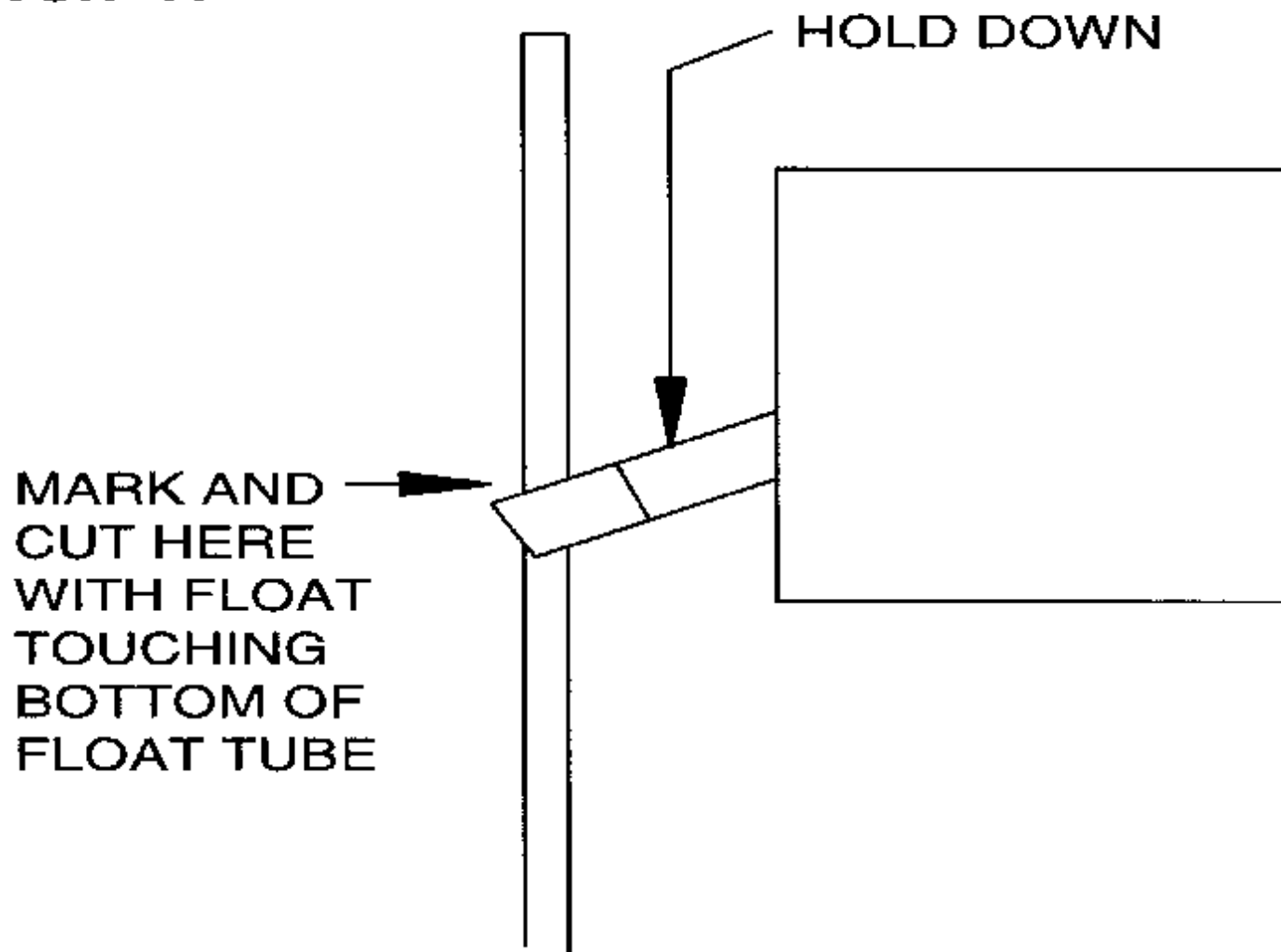


SKETCH "A"



SKETCH "B"

