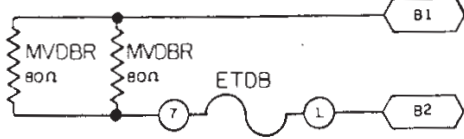
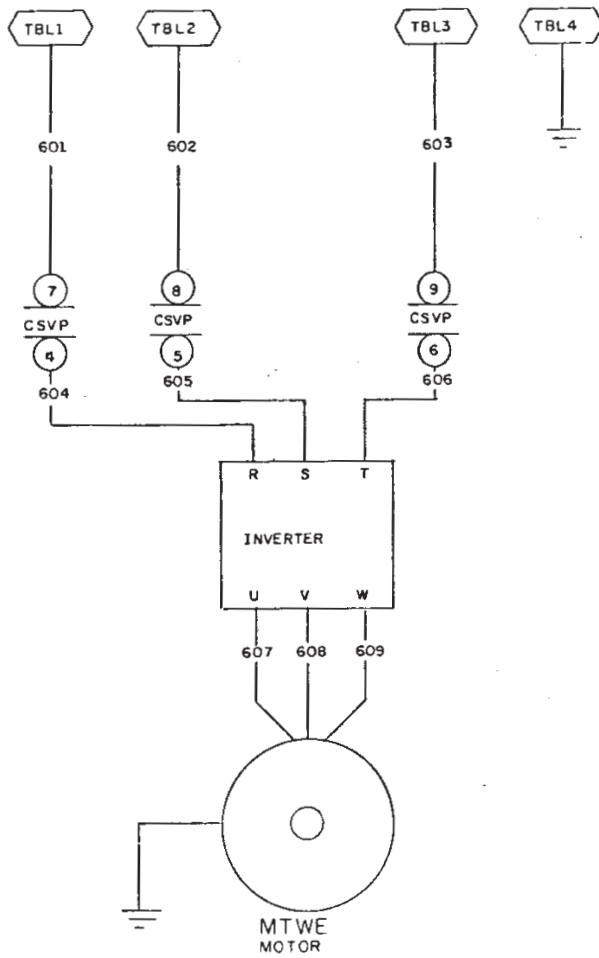
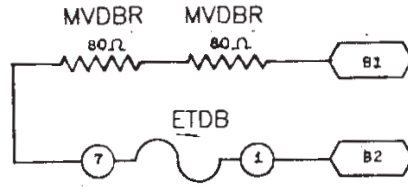


LOW VOLTAGE



HIGH VOLTAGE



00 01 02 03 04 05 06 07 08 09

RELAY CONNECT
FOR MACHINE PRODUCED
BEFORE 93336
(INVERTER JPD 303-A005)

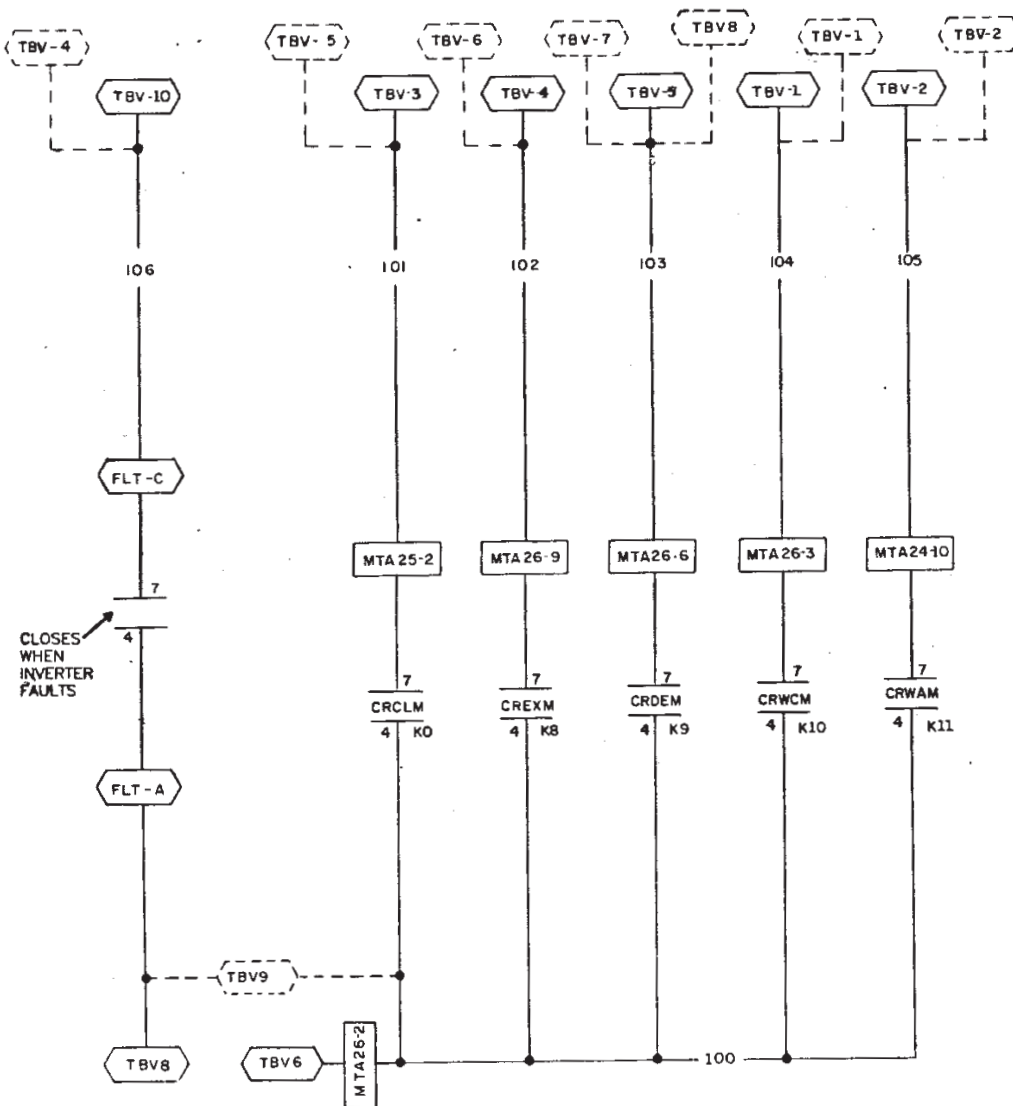
SPEED	CLOCK- COUNTER WISE- CLOSE- WISE				
	K10	K11	KO	K8	K9
WASH 1	X				
WASH 2	X		X		
DRAIN	X			X	
E1	X		X	X	
E2	X				X
E3	X		X	X	X
OUT OF EXTRACT					X

⬡ DENOTES TERMINAL ON
JPD 303-A005 INVERTER

FOR MACHINES PRODUCED
AFTER 93336
(INVERTER JPD333-A005-03)

SPEEDS	CLOCK- COUNTER WISE- CLOSE- WISE				
	K10	K11	KO	K8	K9
WASH 1	X				
WASH 2	X		X		
DRAIN	X			X	
E1	X				X
E2	X		X		X
E3	X			X	X
OUT OF EXTRACT					X

⬢ DENOTES TERMINAL ON
JPD333-A005-03 INVERTER



W7M4JVP
MICRO 7 SYSTEMS
FOR F#J, V#J ONLY
SCHEMATIC: VARIABLE SPEED CONTROL

PELLERIN MILNOR CORPORATION

NOTES
1) TBV AND FLT ARE
LOCATED ON THE
INVERTER.

W7M4JVP
95041D

W7M4JVP
95041D