

M96DR

95-lb Capacity OPL Dryer

Standard Features:

- 95-lb. capacity
- 22.50 cu. ft basket volume
- 300,000 BTU; 2,160 CFM airflow
- Radial Airflow
- Steel door with gasketless glass
- 12" diameter vent connection
- Fits though standard 36" door
- Large 31 3/8" door
- Available in gas heat
- Four-Point Roller Support System
- Stainless steel basket
- Reversing basket

Optional Features:

- Stainless steel front and cabinet
- F.S.S. (Fire Suppression System)

OPL
OPL



M96DR OPL Dryer

Why Purchase Milnor M96DR?

Engineer Driven Design That is Built to Last

Our dryers showcase an engineer-driven approach to design. Bearings are permanently lubricated on the motor and drive system. There are no chains used; rather, we use V-belts and pulleys for smooth, quiet, and trouble free operation. Our dryer cabinets are electrostatically powder-painted inside and out then baked at 420-degrees fahrenheit before final assembly - ensuring the hardest surface and the longest lasting finish in the industry.

Rugged Steel Door with Gasketless Door Glass

Our dryer doors are one solid piece of steel with gasketless glass. This eliminates the issue of glass falling out due to wear and tear on rubber gaskets that some manufacturers use to secure their glass. The security and durability that gasketless glass provides is essential to longevity.

Easy-to-Read, Multilingual Controls

Our dryers were one of the first computer operated dryers on the market and we continue to apply innovative technology to dryer operation. Our accessible design, easy-to-read LED screens and our user friendly multilingual interface positions Milnor as a leader in the laundry industry.

Your local Milnor independent authorized distributor



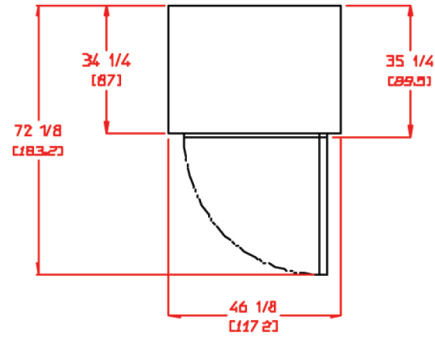
M96DR

M96DR Specifications

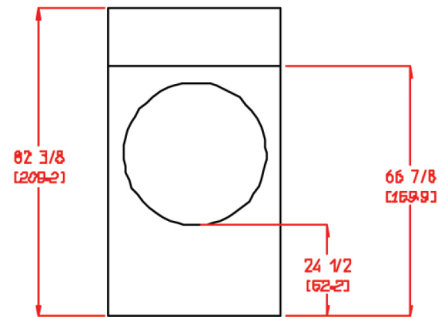
Tumbler Capacity (dry weight)	95 lbs. (43.09 kg)
Tumbler Diameter	43-3/8" (110.19 cm)
Tumbler Depth	28-7/8" (73.34 cm)
Tumbler Volume	22.50 cu ft (637.13 L)
Tumbler/Drive Motor	1/2 hp (0.37 kW)
Blower/Fan Motor	3 hp (2.24 kW)
Door Opening (Diameter)	31-3/8" (79.71 cm)
Door Sill Height	24-1/2" (62.23 cm)
F.S.S. Water Connection	North America 3/4" - 11.5 NH Outside North America 3/4" B.S.P.T.
Dryers per 20'/40' Container	10 / 20
Dryers per 48'/53' Truck	24 / 26
Width	46-1/8" (117.2 cm)
Depth	35-1/4" (89.5 cm)
Height	82-3/8" (209.2 cm)
Airflow	60 Hz 2,160 cfm (61.16 cmm) 50 Hz 1,800 cfm (50.97 cmm)
Exhaust Connection	12" (30.48 cm)
GAS MODEL:	
Approx. Net Wt.	1,087 lbs (493.05 kg)
Approx. Ship Wt.	1,157 lbs (524.81 kg)
Heat Input	300,000 BTU (88,199 kcal/hr)
Inlet Pipe Connection	1" F.N.P.T. 1" B.S.P.T. (CE and Australia Only)
Compressed Air Connection	1/4" Quick Connection
Compressed Air Volume	4.25 cfm (0.12 cmh)

Specifications in parentheses are metric equivalents.

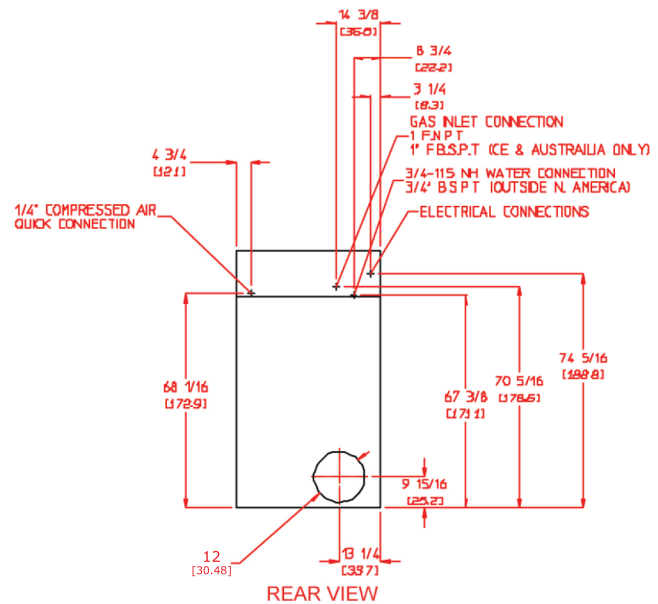
REV 12/19/22



PLAN VIEW



FRONT VIEW



REAR VIEW

Electrical Service Specifications

SERVICE VOLTAGE	PHASE	WIRE SERVICE	GAS		CIRCUIT BREAKER
			APPROX AMP DRAW 60 Hz	50 Hz	
208	3ø	3	12.0	--	15
230	3ø	3	--	8.0	15
240	3ø	3	10.0	--	15
380	3ø	4*	--	6.0	15
400	3ø	4*	--	5.0	15
416	3ø	4*	--	5.0	15
460	3ø	3	6.0	--	15
480	3ø	3	6.0	--	15



Pellerin Milnor Corporation, PO Box 400, Kenner, LA 70063 USA,
Phone 504.712.7656 Toll Free: 800.469.8780 Fax: 504.468.3094

www.milnor.com