

M175DR

170-lb. Capacity OPL Dryer

Standard Features:

- 170-lb. capacity
- 51.5 cu. ft. basket volume
- 395,000 Btu/hr heat input, 2,503 cfm airflow
- Radial airflow
- Steel door with gasketless glass
- 12" diameter vent connection
- Front serviceable
- Only occupies 19.7 sq. ft.
- Available in gas
- Four-Point roller support system
- Stainless steel basket
- Reversing basket

Optional Features:

- Stainless steel front and cabinet
- F.S.S. (Fire Suppression System)



M175DR OPL Dryer

Why Purchase Milnor M175DR?

Engineer Driven Design That is Built to Last

Our dryers showcase an engineer-driven approach to design. Bearings are permanently lubricated on the motor and drive system. There are no chains used; rather, we use V-belts and pulleys for smooth, quiet, and trouble-free operation. Our dryer cabinets are electrostatically powder-painted inside and out, then baked at 420 degrees Fahrenheit before final assembly – ensuring the hardest surface and the longest-lasting finish in the industry.

Component Accessibility

The M175DR is a single pocket dryer that offers 98% component accessibility from the front of the tumbler. This feature allows the dryer to be placed against the wall without concern for regular rear maintenance. The M175DR has a large, lightweight lint drawer that is accessible and easy to clean -- only requiring cleaning once a day. Its fine, stainless steel lint screen is standard.

Rugged Steel Door with Gasketless Door Glass

Our dryer doors are one solid piece of steel with gasketless glass. This eliminates the issue of glass falling out due to wear and tear on rubber gaskets that some manufacturers use to secure their glass. The security and durability that gasketless glass provides is essential to longevity.

Easy-to-Read, Multilingual Controls

Our dryers were one of the first computer-operated dryers on the market and we continue to apply innovative technology to dryer operation. Our accessible design, easy-to-read LED screens, and our user-friendly multilingual interface position Milnor as a leader in the laundry industry.

Your local Milnor independent authorized distributor



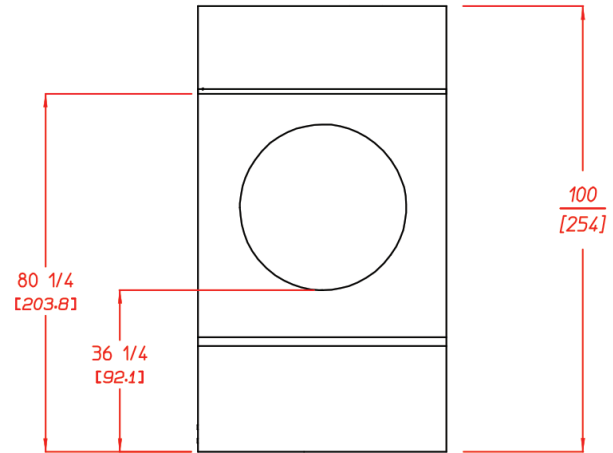
M175DR

M175DR Specifications

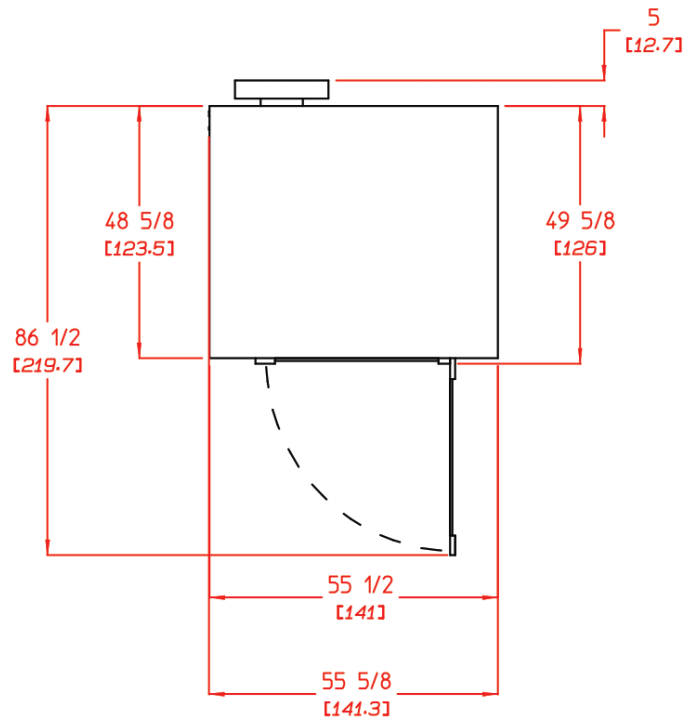
Maximum Capacity (Dry Weight)	170 lb	77.11 kg	
Tumbler Diameter	51-1/2"	130.81 cm	
Tumbler Depth	42-3/4"	108.59 cm	
Tumbler Volume	51.5 cu ft	1449.823 L	
Tumbler/Drive Motor	3 hp	2.24 kW	
Blower/Fan Motor	7-1/2 hp	5.59 kW	
Door Opening (Diameter)	31-3/8"	79.71 cm	
Door Sill Height	36-1/2"	92.71 cm	
Water Connection	3/4" - 11.5 NH (North America) 3/4" B.S.P.T. (Outside North America)		
Dryers per 20'/40' Container	3 / 7		
Dryers per 48'/53' Truck	8 / 8		
GAS	Voltage Available	208-575v 3ø 3, 4w 60 Hz	
	Approximate Net Weight	1,848 lb 838.24 kg	
	Approximate Shipping Weight	2,014 lb 913.54 kg	
	Airflow	2,503 cfm 70.87 cmm	
	Heat Input	395,000 Btu/hr 99,538 kcal/hr	
	Exhaust Connection (Diameter)	12" 30.48 cm	
	Compressed Air Connection	1/4" Quick Connection	
	Compressed Air Volume	4.25 cfh 0.12 cmh	
	Inlet Pipe Connection	1" M.N.P.T. (North America)	
		1-1/2" F.B.S.P.T. (Outside North America)	

DRYER NOTES:

- DUCTWORK SIZE VARIES WITH INSTALLATION CONDITIONS.
- EXHAUST STATIC PRESSURE MUST BE NO LESS THAN 0 AND MUST NOT EXCEED 0.6" (1.48 mb) WATER COLUMN.
- DRYERS MUST BE PROVIDED WITH CLEAN, DRY, REGULATED 80 PSI ± 10 PSI (5.5 BAR ± 0.69 BAR) AIR SUPPLY.



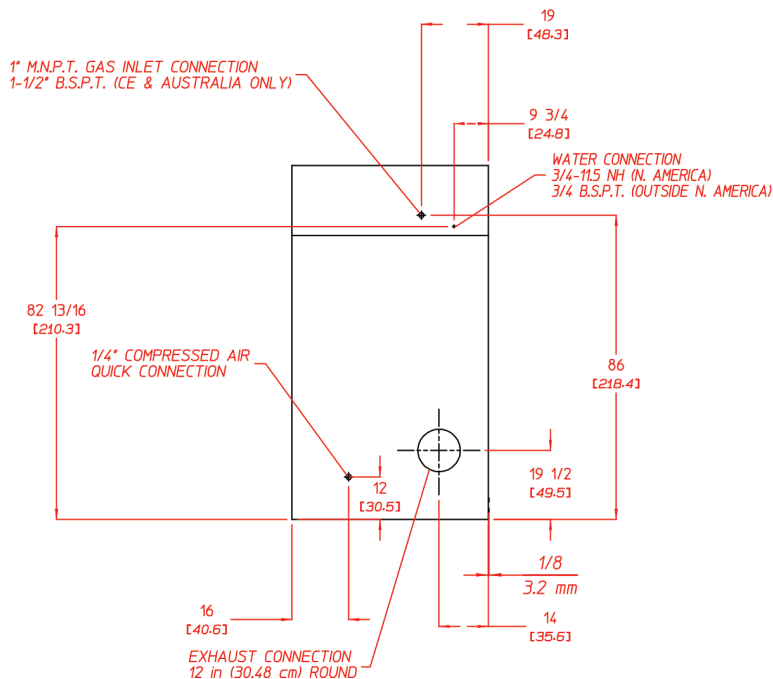
FRONT VIEW



REAR VIEW

Shaded areas are stated in metric equivalents

7/25/14



Pellerin Milnor Corporation, PO Box 400, Kenner, LA 70063 USA
Phone 504.712.7656 Toll-Free: 800.469.8780 Fax: 504.468.3094

www.milnor.com

QY180022