

M170DR

170-lb. Capacity OPL Dryer

Standard Features:

- 170-lb. capacity
- 51.20 cu. ft. basket volume
- 395,000 Btu/hr heat input, 2,503 cfm airflow
- Radial airflow
- Self-diagnostic microprocessor with patented auto-drying feature
- Steel door with gasketless glass
- Reversing basket
- Available in gas

Optional Features:

- Stainless steel front, cabinet & basket
- F.S.S. (Fire Suppression System)

Why Purchase Milnor M170DR?

Engineer Driven Design That is Built to Last

Our dryers showcase an engineer-driven approach to design. Bearings are permanently lubricated on the motor and drive system. There are no chains used; rather, we use V-belts and pulleys for smooth, quiet, and trouble-free operation. Our dryer cabinets are electrostatically powder-painted inside and out, then baked at 420 degrees Fahrenheit before final assembly – ensuring the hardest surface and the longest-lasting finish in the industry.

Rugged Steel Door with Gasketless Door Glass

Our dryer doors are one solid piece of steel with gasketless glass. This eliminates the issue of glass falling out due to wear and tear on rubber gaskets that some manufacturers use to secure their glass. The security and durability that gasketless glass provides is essential to longevity.

Easy-to-Read, Multilingual Controls

Our dryers were one of the first computer-operated dryers on the market and we continue to apply innovative technology to dryer operation. Our accessible design, easy-to-read LED screens, and our user-friendly multilingual interface position Milnor as a leader in the laundry industry.

Your local Milnor independent authorized distributor

OPL



M170DR OPL Dryer



M170DR

M170DR Specifications

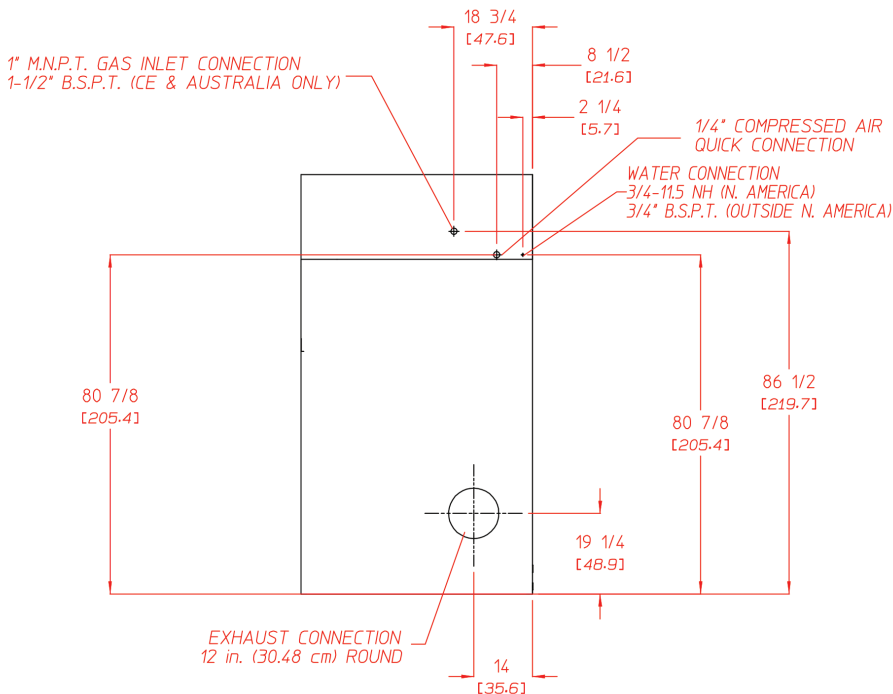
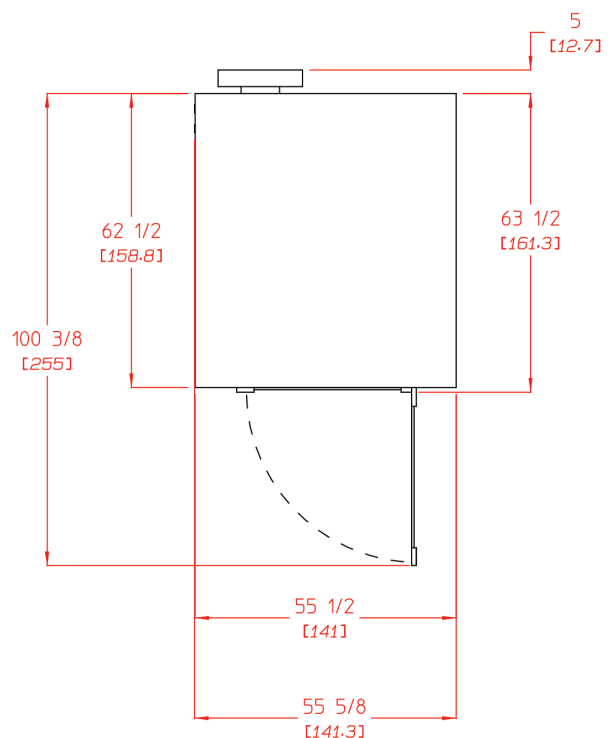
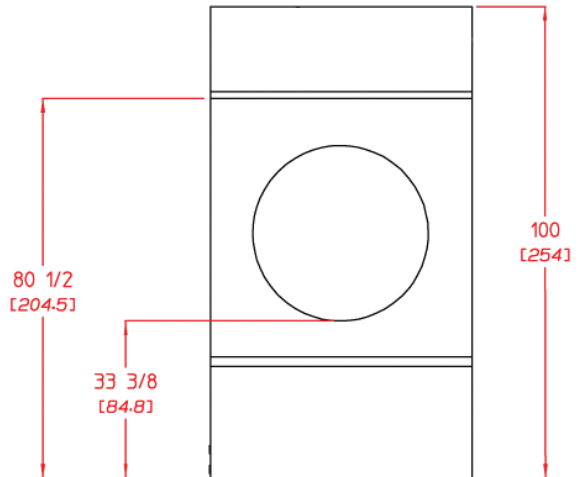
| | | | |
|-------------------------------|---|---|--|
| Maximum Capacity (Dry Weight) | 170 lb | 77.11 kg | |
| Tumbler Diameter | 51-1/2" | 130.81 cm | |
| Tumbler Depth | 42-3/4" | 108.59 cm | |
| Tumbler Volume | 51.5 cu ft | 1449.823 L | |
| Tumbler/Drive Motor | 1 hp | 0.75 kW | |
| Blower/Fan Motor | 7-1/2 hp | 5.59 kW | |
| Door Opening (Diameter) | 31-3/8" | 79.71 cm | |
| Door Sill Height | 36-1/2" | 92.71 cm | |
| Water Connection | 3/4" - 11.5 NH (North America) 3/4" B.S.P.T. (Outside North America) | | |
| Dryers per 20'/40' Container | 3 / 7 | | |
| Dryers per 48'/53' Truck | 8 / 8 | | |
| GAS | Voltage Available | 208-575v 3ø 3, 4w 60 Hz | |
| | Approximate Net Weight | 1,848 lb / 838.24 kg | |
| | Approximate Shipping Weight | 2,014 lb / 913.54 kg | |
| | Airflow | 2,503 cfm / 70.87 cmm | |
| | Heat Input | 395,000 Btu/hr / 99,538 kcal/hr | |
| | Exhaust Connection (Diameter) | 12" / 30.48 cm | |
| | Compressed Air Connection | 1/4" Quick Connection | |
| | Compressed Air Volume | 4.25 cfh / 0.12 cmh | |
| | Inlet Pipe Connection | 1" M.N.P.T. (North America) | |
| | | 1-1/2" F.B.S.P.T. (Outside North America) | |

Shaded areas are stated in metric equivalents

7/29/14

DRYER NOTES:

- DUCTWORK SIZE VARIES WITH INSTALLATION CONDITIONS.
- EXHAUST STATIC PRESSURE MUST BE NO LESS THAN 0 AND MUST NOT EXCEED 0.6" (1.48 mB) WATER COLUMN.



Pellerin Milnor Corporation, PO Box 400, Kenner, LA 70063 USA
Phone 504.712.7656 Toll-Free: 800.469.8780 Fax: 504.468.3094

www.milnor.com

QY180021