

M122DR

120-lb. Capacity OPL Dryer

Standard Features:

- 120-lb. capacity
- 35.90 cu. ft. basket volume
- 300,000 Btu/hr heat input, 2,240 cfm airflow
- Radial airflow
- Self-diagnostic microprocessor with patented auto-drying feature
- Steel door with gasketless glass
- Reversing basket
- Available in gas
- Four-Point roller support system
- Stainless steel basket

Optional Features:

- Stainless steel front and cabinet
- F.S.S. (Fire Suppression System)



M122DR OPL Dryer

Why Purchase Milnor M122DR?

Engineer Driven Design That is Built to Last

Our dryers showcase an engineer-driven approach to design. Bearings are permanently lubricated on the motor and drive system. There are no chains used; rather, we use V-belts and pulleys for smooth, quiet, and trouble-free operation. Our dryer cabinets are electrostatically powder-painted inside and out, then baked at 420 degrees Fahrenheit before final assembly – ensuring the hardest surface and the longest-lasting finish in the industry.

Rugged Steel Door with Gasketless Door Glass

Our dryer doors are one solid piece of steel with gasketless glass. This eliminates the issue of glass falling out due to wear and tear on rubber gaskets that some manufacturers use to secure their glass. The security and durability that gasketless glass provides is essential to longevity.

Easy-to-Read, Multilingual Controls

Our dryers were one of the first computer-operated dryers on the market and we continue to apply innovative technology to dryer operation. Our accessible design, easy-to-read LED screens, and our user-friendly multilingual interface position Milnor as a leader in the laundry industry.

Your local Milnor independent authorized distributor



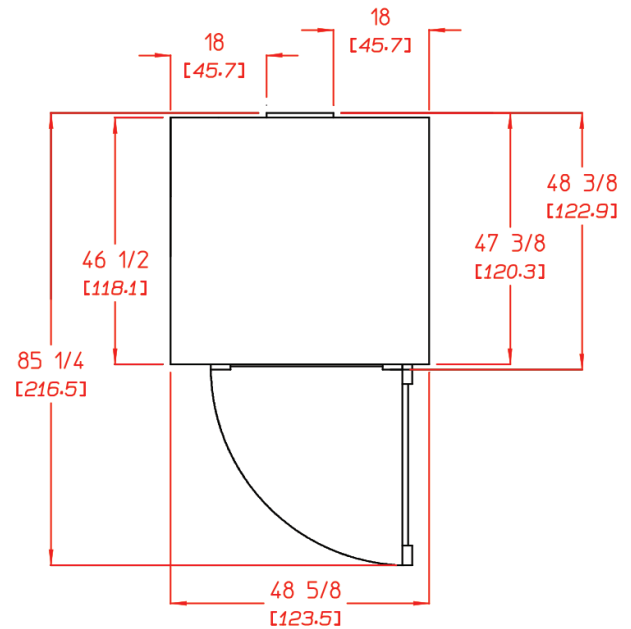
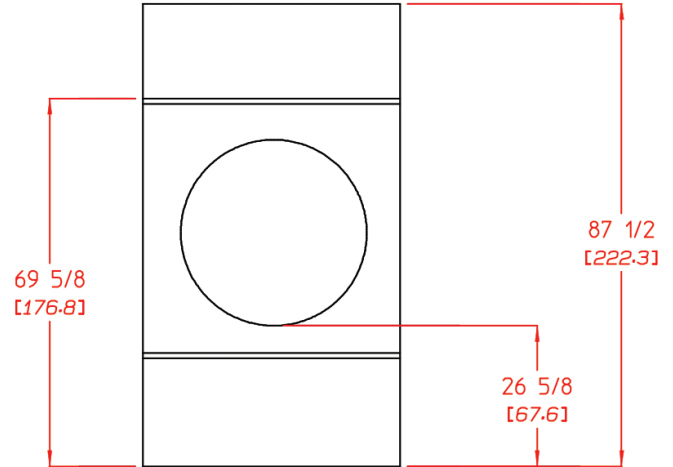
M122DR

M122DR Specifications

Maximum Capacity (Dry Weight)	120 lb	54.43 kg	
Tumbler Diameter	44-1/8"	112.09 cm	
Tumbler Depth	40-9/16"	103.02 cm	
Tumbler Volume	35.90 cu ft	1,016.57 L	
Tumbler/Drive Motor	1 hp	0.75 kW	
Blower/Fan Motor	3 hp	2.24 kW	
Door Opening (Diameter)	31-3/8"	79.71 cm	
Door Sill Height	26-5/8"	67.64 cm	
Water Connection	3/4" - 11.5 NH (North America) 3/4" B.S.P.T. (Outside North America)		
Dryers per 20'/40' Container	3 / 7		
Dryers per 48'/53' Truck	9 / 10		
GAS	Voltage Available	208-480v 3ø 3,4w 50/60 Hz	
	Approximate Net Weight	1,370 lb 621.42 kg	
	Approximate Shipping Weight	1,430 lb 648.64 kg	
	Airflow	60 Hz 2,240 cfm 63.43 cmm 50 Hz 1,866 cfm 52.84 cmm	
	Heat Input	300,000 Btu/hr 75,650 kcal/hr	
	Exhaust Connection (diameter)	12" 30.48 cm	
	Compressed Air Connection	1/4" Quick Connection	
	Compressed Air Volume	2.50 cfh 0.07 cmh	
	Inlet Pipe Connection	1-1/4" F.N.P.T.	
		1" F.B.S.P.T. (CE and Australia Only)	

DRYER NOTES:

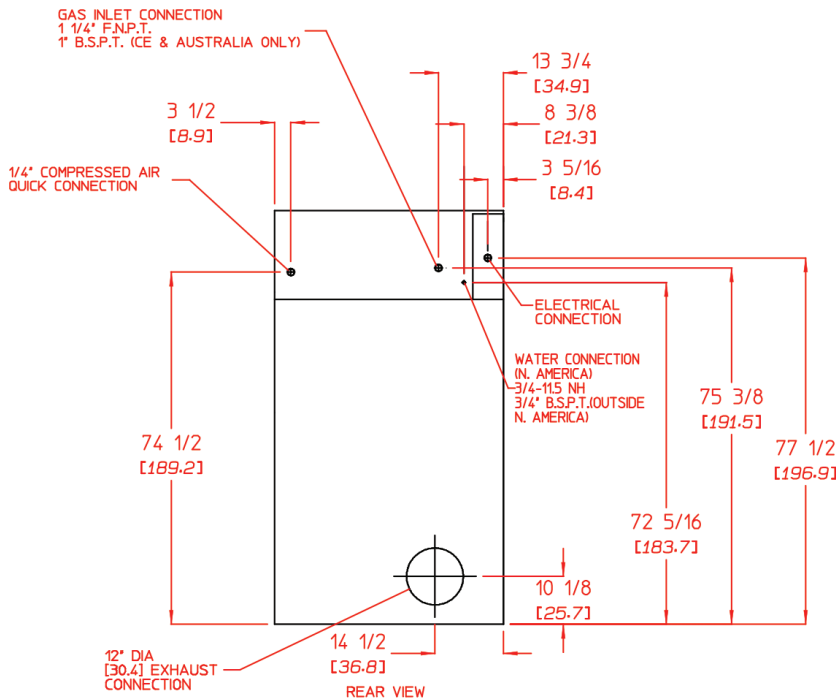
- DUCTWORK SIZE VARIES WITH INSTALLATION CONDITIONS.
- EXHAUST STATIC PRESSURE MUST BE NO LESS THAN 0 AND MUST NOT EXCEED 0.3" (0.74 MB) WATER COLUMN.



PLAN VIEW

Shaded areas are stated in metric equivalents

8/1/13



Pellerin Milnor Corporation, PO Box 400, Kenner, LA 70063 USA
Phone 504.712.7656 Toll-Free: 800.469.8780 Fax: 504.468.3094

www.milnor.com

QY180019