

M115DR

115-lb. Capacity OPL Dryer

Standard Features:

- 115-lb. capacity
- 33.10 cu. ft. basket volume
- 300,000 Btu/hr heat input and 1,682 cfm airflow
- Self-diagnostic microprocessor with patented auto-drying feature
- Steel door with gasketless glass
- Easy-to-clean lint drawer
- Fits through a standard 48" door opening
- Reversing basket
- Available in gas

Optional Features:

- Stainless steel front, cabinet & basket
- F.S.S. (Fire Suppression System)

OPL



M115DR OPL Dryer

Why Purchase Milnor M115DR?

Engineer Driven Design That is Built to Last

Our dryers showcase an engineer-driven approach to design. Bearings are permanently lubricated on the motor and drive system. There are no chains used; rather, we use V-belts and pulleys for smooth, quiet, and trouble-free operation. Our dryer cabinets are electrostatically powder-painted inside and out, then baked at 420 degrees Fahrenheit before final assembly – ensuring the hardest surface and the longest-lasting finish in the industry.

Rugged Steel Door with Gasketless Door Glass

Our dryer doors are one solid piece of steel with gasketless glass. This eliminates the issue of glass falling out due to wear and tear on rubber gaskets that some manufacturers use to secure their glass. The security and durability that gasketless glass provides is essential to longevity.

Easy-to-Read, Multilingual Controls

Our dryers were one of the first computer-operated dryers on the market and we continue to apply innovative technology to dryer operation. Our accessible design, easy-to-read LED screens, and our user-friendly multilingual interface position Milnor as a leader in the laundry industry.

Your local Milnor independent authorized distributor



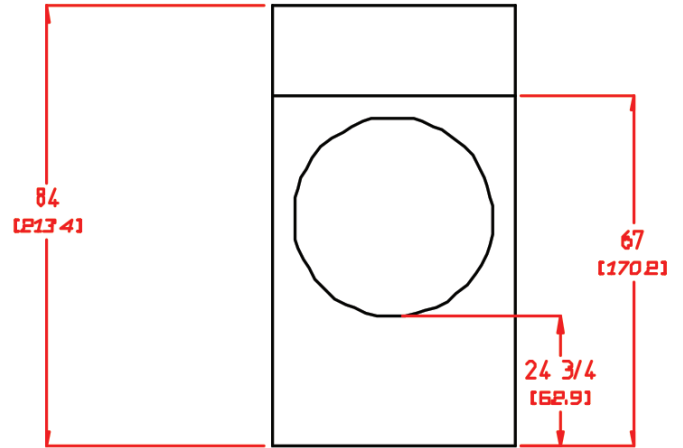
M115DR

M115DR Specifications

Maximum Capacity (Dry Weight)	115 lb	52.2 kg
Tumbler Diameter	42"	106.7 cm
Tumbler Depth	41-1/4"	104.77 cm
Tumbler Volume	33.1 cu ft	937.28 L
Tumbler/Drive Motor	3/4 hp	0.560 kW
Blower/Fan Motor	3 hp	2.239 kW
Door Opening (Diameter)	31-3/8"	79.7 cm
Exhaust Connection (Diameter)	12"	30.48 cm
Dryers per 20'/40' Container	4 / 8	
Dryers per 48'/53' Truck	9 / 10	
Water Connection	3/4" - 11.5 NH	
GAS	Voltage Available	208-575v 3ø 3, 4w 60 Hz
	Approximate Net Weight	1,260 lb / 572 kg
	Approximate Shipping Weight	1,400 lb / 635 kg
	Heat Input	300,000 Btu/hr / 75,600 kcal/hr
	Airflow	1,682 cfm / 47.62 cmm
	Inlet Pipe Connection	3/4" M.N.P.T.

DRYER NOTES:

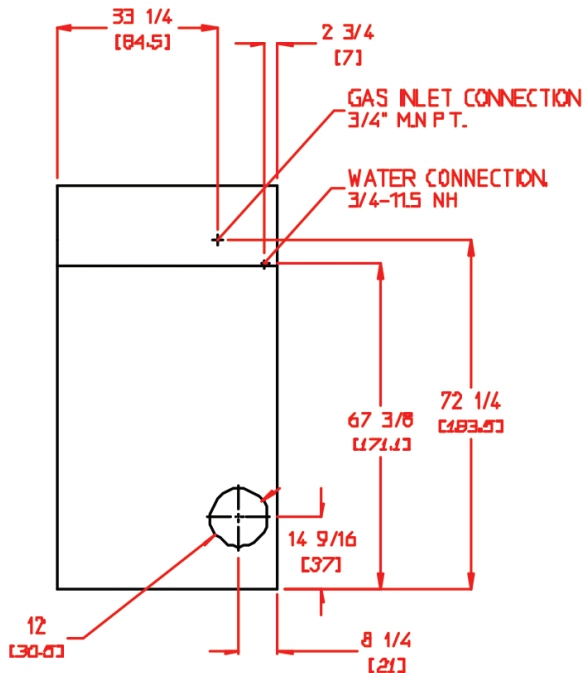
- TOP SECTION CAN BE REMOVED FOR EASY INSTALLATION
- DUCT WORK SIZE VARIES WITH INSTALLATION CONDITIONS.
- EXHAUST STATIC PRESSURE MUST BE NO LESS THAN 0 AND MUST NOT EXCEED 0.6" (148 mb) WATER COLUMN



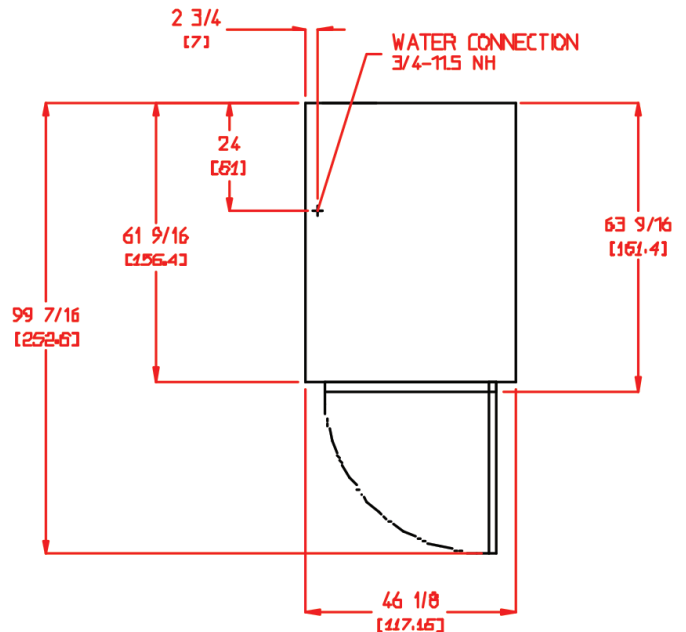
FRONT VIEW

Shaded areas are stated in metric equivalents

1/5/09



REAR VIEW



PLAN VIEW



Pellerin Milnor Corporation, PO Box 400, Kenner, LA 70063 USA
Phone 504.712.7656 Toll-Free: 800.469.8780 Fax: 504.468.3094

www.milnor.com

QY180018