



Manual Number: MCWCAA01  
Edition (ECN): 2022396

# Installation, Parts, and Service

**MCR12E5, 16E5, 18E4;  
MWR12E5/12J5/12X5;  
MWR16E5/J5/X5; MWR18E4/  
J4/J6/X4/X6**





## Contents

1 General Service & Safety Related Components.....	6
Important Safety Instructions .....	7
Limited Standard Warranty .....	8
How to Get the Necessary Repair Components .....	9
Trademarks .....	9
Safety — Rigid Washer Extractors .....	10
Safety Alert Messages—Internal Electrical and Mechanical Hazards.....	10
Safety Alert Messages—Cylinder and Processing Hazards.....	10
Safety Alert Messages—Unsafe Conditions .....	11
Damage and Malfunction Hazards .....	11
Hazards Resulting from Inoperative Safety Devices.....	11
Hazards Resulting from Damaged Mechanical Devices .....	12
Careless Use Hazards .....	13
Careless Operation Hazards—Vital Information for Operator Personnel (see also operator hazards throughout manual).....	13
Careless Servicing Hazards—Vital Information for Service Personnel (see also service hazards throughout manuals) .....	13
Installation Tag Guidelines .....	14
Installation Tag Guidelines .....	16
Safety Placard Use and Placement MCR12E5, MCR16E5, MCR18E4, MCR27E5, MCT12E5, MCT16E5, MCT18E4, MCT27E5, MCR36E4.....	20
Safety Placard Use and Placement MWR12E5, MWR16E5, MWR18E4, MWR18X4, MWR18J4, MWR27E5, MWR36J4, MWT12E5, MWT16E5, MWT18E4, MWT18X4, MWT18J4, MWT27E5.....	22
Guards and Covers MCR12E5, MCR16E5, MCR18E4, MWR12E5, MWR16E5, MWR18E4, MWR18X4, MWR18J4 .....	24
Torque Requirements for Fasteners .....	27
Torque Values .....	27
Fasteners Made of Carbon Steel .....	27
Without a Threadlocker.....	27
With a Threadlocker .....	29
Stainless Steel Fasteners .....	31
Preparation.....	32
How to Apply a Threadlocker .....	33
Blind Holes.....	33
Through Holes.....	33
2 Important Installation Precautions.....	35
External Fuse/Breaker, Wiring, and Disconnect Requirements .....	35
Fuse or Circuit Breaker Size.....	35
• If a fuse is used.....	35
• If a standard circuit breaker is used .....	35
• If an inverse time circuit breaker is used .....	35
Wire Size .....	35
Ground.....	36
Disconnect Switch for Lockout/Tagout.....	36
Vital Information About the Forces Imparted to Supporting Structures by Laundering Machines .....	36

Disclaimer of Responsibility .....	36
Major Design Considerations .....	37
Primary Information Sources .....	38
Prevent Damage from Chemical Supplies and Chemical Systems .....	38
How Chemical Supplies Can Cause Damage.....	39
• Dangerous Chemical Supplies and Wash Formulas.....	39
• Incorrect Configuration or Connection of Equipment .....	39
Equipment and Procedures That Can Prevent Damage.....	41
• Use the chemical manifold supplied. ....	41
• Close the line.....	42
• Do not let a vacuum occur.....	42
• Flush the chemical tube with water.....	42
• Put the chemical tube fully below the inlet.....	42
• Prevent leaks. ....	42
3 Installation Procedures .....	43
Handling a Washer-extractor from Delivery to Final Location .....	43
Notices .....	43
• Qualified Personnel Only.....	43
• Disclaimer .....	43
• Other Tasks .....	43
Facility Prerequisites .....	44
Rigger Precautions.....	44
Technician Precautions.....	46
• Can the Door(s) Be Opened Before Utilities are Connected? .....	48
Connection Precautions for Washer-extractors .....	48
Notices.....	49
• Machine Must Be Anchored .....	49
Utility Requirements and Related Information .....	49
Plumber Precautions.....	50
Electrician Precautions .....	51
Chemical Supplier Precautions.....	52
4 Drive Assemblies.....	53
Drive Chart MCR12E5, MCR16E5, MCR18E4, MWR12E/X/J5, MWR16E/X/J5, MWR18E/X4, MWR18J6, MCT12E5, MCT16E5, MCT18E4, AND MWT12E/X/J5, MWT16E/X/J5, MWT18E/X4, MWT18J6 .....	54
Motor Mount MCR12E56, MCR16E5, MCR18E4, MWR12E/X/J5, MWR16E/X/J5, MWR18E/X4, MWR18J6, MCT12E5, MCT16E5, MCT18E4, AND MWT12E/X/J5, MWT16E/X/J5, MWT18E/X4, MWT18J6 .....	58
Bearing Assembly & Installation MCR12E5, MCR16E5, MCR18E4, MWR12E/X/J5, MWR16E/ X/J5, MWR18E/X4, MCT12E5, MCT16E5, MCT18E4, MWT12E/X/J5, AND MWT16E/X/ J5, MWT18E/X4 .....	60
Bearing Assembly and Installation MWR18X6, MWR18J6, MWT18X6, MWT18J6 .....	62
5 Door Assemblies .....	64
Servicing the Door to Open it with Power Off or with a Malfunctioning Door	
Lock .....	64
Disassembly .....	64
Removing the Handle and Opening the Door .....	64
Removing the Door Latch Shaft from the Door Lock Mechanism .....	67

Reinstalling the Shaft and Door Handle.....	67
Door Installation MCR12E5, MCR16E5, MCR18E4, MWR12E5, MWR16E5, MWR18E4, MWR18X4, MWR18J4 .....	70
Door Lock Mechanism MCR12E5, MCR16E5, MCR18E4, MWR12E5, MWR16E5, MWR18E4, MWR18X4, MWR18J4 .....	76
Door Handle and Lock Actuator MCR12E5/16E5/18E4/27E5; MCT12E5/16E5/18E4/27E5; MWR12E5/X5/J5; MWR16E5/X5/J5; MWR18E4/X4/18J4/18J6; MWR27E5/X5/J5; MWT12E5/X5/J5; MWT16E5/X5/J5; MWT18E4/X4/J6; MWT27E5/X5/J5.....	79
6 Chemical Supply .....	82
Soap Chute MCR12E5, MCT16E5, MCT18E4, MCT27E5, MCR36E4 .....	83
Soap Chute for E-P OneTouch® MWR12E5, MWR16E5, MWR18E4, MWR27E5, MWT12E5, MWT16E5, MWT18E4, MWT27E5 .....	86
Soap Chute for E-P Express® and E-P Plus® Controller MWR12X5, MWR16X5, MWR18X4, MWR27X5 MWR12J5, MWR16J5, MWR18J6, MWR27J5, MWT12X5, MWT16X5, MWT18X4, MWT27X5, MWT12J5, MWT16J5, MWT18J6, MWT27J5 .....	88
7 Water and Drain.....	90
Water Inlets MCR12E5, MCR16E5, MCR18E4, MCT12E5, MCT16E5, MCT18E4 .....	92
Water Inlets MWR12E/X/J5, MWR16E/X/J5, MWR18E/X4, MWR18J6, MWT12E/X/J5, MWT16E/ X/J5, MWT18E/X4, MWT18J6 .....	94
Drain Installation MCR12E5, MCR16E5, MCR18E4, MWR12E/X/J5, MWR16E/X/J5, MWR18E/ X4, MWR18J6, MWR27E/X/J5, MCT12E5, MCT16E5, MCT18E4, MWT12E/X/J5, MWT16E/X/J5, MWT18E/X4, MWT18J6, MWT27E/X/J5.....	96
8 Control and Sensing .....	98
Vibration Safety Switch Adjustments .....	98
What the Vibration Safety Switch Does.....	98
Adjustments .....	98
Vibration Safety Switch MCR12E5, MCR16E5, MCR18E4, MWR12E/X/J5, MWR16E/X/J5, MWR18E/X4, MWR18J6, MCT12E5, MCT16E5, MCT18E4, MWT12E/X/J5, MWT16E/ X/J5, MWT18E/X4, MWT18J6 .....	100
Level Switch MCR12E5, MCR16E5, MCR18E4, MWR12E/X/J5, MWR16E/X/J5, MWR18E/X4, MWR18J6, MCT12E5, MCT16E5, MCT18E4, MCT27E5, MWT12E/X/J5, MWT16E/X/J5, MWT18E/X4, MWT18J6, MWT27E/X/J5 .....	102
Coin Acceptor and Vault MCR12E5, MCT16E5, MCT18E4, MCT27E5, MCR36E4 .....	104
9 Dimensional Drawings .....	106
BDMCR12EAE/2019455 — MCR12E5 .....	107
BDMCR16EAE/2014304 — MCR16E5, MWR16E5, MWR16X5, MWR16J5 .....	108
BDMCR18EAE/2018413 — MCR18E4, MWR18E4, MWR18X4, MWR18J6 .....	109
10 Dimensional Drawings — Pedestals .....	111
BDMCRBB1BE/2014304 — Pedestal for (1) MCR/MWR12E5 .....	113
BDMCRBB2BE/2014304 — Pedestal for (2) MCR/MWR12E5 .....	114
BDMCRBB4BE/2014304 — Pedestal for (4) MCR/MWR12E5 .....	115
BDMCRBK1AE/2017244 — Pedestal for (1) MCR16E5, MWT16E5/X5/J5 .....	116
BDMCRBL1AE/2017244 — Pedestal for (1) MCR/MWR/MWT18E4/X4/J4/J6 .....	117
BDMCRBL2AE/2017244 — Pedestal for (2) MCR/MWR/MWT18E4/X4/J4/J6 .....	118
BDMCRBL4AE/2017244 — Pedestal for (4) MCR/MWR/MWT18E4/X4/J4/J6 .....	119

## Figures

Figure 1	The Bolts in Milnor® Equipment.....	27
Figure 2	Apply Threadlocker in a Blind Hole.....	33

Figure 3	Apply Threadlocker in a Through Hole.....	34
Figure 4	Use heat for disassembly of fasteners with threadlocker.....	34
Figure 5	How Rotating Forces Act On the Foundation .....	38
Figure 6	Incorrect Configurations That Let the Chemical Supply Go In the Machine by a Siphon.....	40
Figure 7	Incorrect Configurations That Let the Chemical Supply Go In the Machine by Gravity.....	41
Figure 8	Examples of Manifolds for Chemical Tubes. Your equipment can look different.....	41
Figure 9	A Configuration that Prevents Flow in the Machine When the Pump is Off (if the chemical tube and tank have no pressure).....	42
Figure 10	Drive Components .....	54
Figure 11	How to Tighten the Pulley Bushing Against the Motor Shaft.....	55
Figure 12	Door Handle Spoke Set Screw.....	65
Figure 13	Handle Spoke Spring and Ball.....	65
Figure 14	Front Retaining Clip and Thrust Washer .....	66
Figure 15	Rear Flange Bearing (being removed) and Retaining Clip (arrow).....	66
Figure 16	Return Spring After Separation from Shaft Cam.....	66
Figure 17	Door Lock Slider Pin in the Door Lock Mechanism .....	67
Figure 18	Removing the Shaft from the Lock Mechanism.....	67
Figure 19	Shaft in the 9 o'clock Position Showing Spring Retaining Hole .....	68
Figure 20	Shaft with Return Spring Installed.....	68
Figure 21	Inserting Ball and Spring in Handle Spoke .....	69
Figure 22	Adjusting Set Screw.....	69
Figure 23	Door Glass Installation .....	70
Figure 24	Check for Proper Door Seal.....	71
Figure 25	Detail: Door Bracket Shims .....	72
Figure 26	Details: Hinge and Latch Shims .....	73
Figure 27	Door Lock.....	74
Figure 28	Door Lock Slider and Bushings .....	78
Figure 29	Vibration Switch .....	99

## Tables

Table 1	Trademarks .....	9
Table 2	Parts List—Safety Placard Use and Placement MCR12E5, MCR16E5, MCR18E4, MCR27E5, MCT12E5, MCT16E5, MCT18E4, MCT27E5, MCR36E4 .....	21
Table 3	Parts List—Safety Placard Use and Placement MWR12E5, MWR16E5, MWR18E4, MWR18X4, MWR18J4, MWR27E5, MWR36J4, MWT12E5, MWT16E5, MWT18E4, MWT18X4, MWT18J4, MWT27E5 .....	23
Table 4	Parts List—Guards and Covers MCR12E5, MCR16E5, MCR18E4, MWR12E5, MWR16E5, MWR18E4, MWR18X4, MWR18J4 .....	26
Table 5	Torque Values for Standard Fasteners with Maximum 5/16-inch Diameters and No Lubricant .....	27
Table 6	Torque Values for Standard Fasteners Larger Than 5/16-inch Diameters and No Lubricant .....	28
Table 7	Torque Values for Plated Fasteners with Maximum 5/16-inch Diameters and No Lubricant .....	28

Table 8	Torque Values for Plated Fasteners Larger Than 5/16-inch Diameters and No Lubricant .....	29
Table 9	Threadlocker by the Diameter of the Bolt (see below Note ) .....	29
Table 10	Torque Values if You Apply LocTite 222 .....	30
Table 11	Torque Values if You Apply LocTite 242 .....	30
Table 12	Torque Values if You Apply LocTite 262 .....	30
Table 13	Torque Values if You Apply LocTite 272 (High-Temperature) .....	30
Table 14	Torque Values if You Apply LocTite 277 .....	31
Table 15	Torque Values for Stainless Steel Fasteners 5/16-inch and Smaller .....	31
Table 16	Torque Values for Stainless Steel Fasteners Larger Than 5/16-inch .....	32
Table 17	Parts List—Drive Chart MCR12E5, MCR16E5, MCR18E4, MWR12E/X/J5, MWR16E/X/J5, MWR18E/X4, MWR18J6, MCT12E5, MCT16E5, MCT18E4, AND MWT12E/X/J5, MWT16E/X/J5, MWT18E/X4, MWT18J6 .....	56
Table 18	Parts List—Motor Mount MCR12E56, MCR16E5, MCR18E4, MWR12E/X/J5, MWR16E/X/J5, MWR18E/X4, MWR18J6, MCT12E5, MCT16E5, MCT18E4, AND MWT12E/X/J5, MWT16E/X/J5, MWT18E/X4, MWT18J6 .....	59
Table 19	Parts List—Bearing Assembly & Installation MCR12E5, MCR16E5, MCR18E4, MWR12E/X/J5, MWR16E/X/J5, MWR18E/X4, MCT12E5, MCT16E5, MCT18E4, MWT12E/X/J5, AND MWT16E/X/J5, MWT18E/X4.....	61
Table 20	Parts List—Bearing Assembly and Installation MWR18X6, MWR18J6, MWT18X6, MWT18J6 .....	63
Table 21	Parts List—Door Installation MCR12E5, MCR16E5, MCR18E4, MWR12E5, MWR16E5, MWR18E4, MWR18X4, MWR18J4 .....	75
Table 22	Parts List—Door Lock Mechanism MCR12E5, MCR16E5, MCR18E4, MWR12E5, MWR16E5, MWR18E4, MWR18X4, MWR18J4 .....	78
Table 23	Parts List—Door Handle and Lock Actuator MCR12E5/16E5/18E4/27E5; MCT12E5/16E5/18E4/27E5; MWR12E5/X5/J5; MWR16E5/X5/J5; MWR18E4/X4/18J4/18J6; MWR27E5/X5/J5; MWT12E5/X5/J5; MWT16E5/X5/J5; MWT18E4/X4/J6; MWT27E5/X5/J5 .....	81
Table 24	Parts List—Soap Chute MCR12E5, MCT16E5, MCT18E4, MCT27E5, MCR36E4 .....	85
Table 25	Parts List—Soap Chute for E-P OneTouch® MWR12E5, MWR16E5, MWR18E4, MWR27E5, MWT12E5, MWT16E5, MWT18E4, MWT27E5.....	87
Table 26	Parts List—Soap Chute for E-P Express® and E-P Plus® Controller MWR12X5, MWR16X5, MWR18X4, MWR27X5 MWR12J5, MWR16J5, MWR18J6, MWR27J5, MWT12X5, MWT16X5, MWT18X4, MWT27X5, MWT12J5, MWT16J5, MWT18J6, MWT27J5 .....	89
Table 27	Parts List—Water Inlets MCR12E5, MCR16E5, MCR18E4, MCT12E5, MCT16E5, MCT18E4 .....	93
Table 28	Parts List—Water Inlets MWR12E/X/J5, MWR16E/X/J5, MWR18E/X4, MWR18J6, MWT12E/X/J5, MWT16E/X/J5, MWT18E/X4, MWT18J6 .....	95
Table 29	Parts List—Drain Installation MCR12E5, MCR16E5, MCR18E4, MWR12E/X/J5, MWR16E/X/J5, MWR18E/X4, MWR18J6, MWR27E/X/J5, MCT12E5, MCT16E5, MCT18E4, MWT12E/X/J5, MWT16E/X/J5, MWT18E/X4, MWT18J6, MWT27E/X/J5.....	97
Table 30	Effect of Tripping Vibration Safety Switch .....	98
Table 31	Parts List—Vibration Safety Switch MCR12E5, MCR16E5, MCR18E4, MWR12E/X/J5, MWR16E/X/J5, MWR18E/X4, MWR18J6, MCT12E5, MCT16E5, MCT18E4, MWT12E/X/J5, MWT16E/X/J5, MWT18E/X4, MWT18J6 .....	100
Table 32	Parts List—Level Switch MCR12E5, MCR16E5, MCR18E4, MWR12E/X/J5, MWR16E/X/J5, MWR18E/X4, MWR18J6, MCT12E5, MCT16E5, MCT18E4, MCT27E5, MWT12E/X/J5, MWT16E/X/J5, MWT18E/X4, MWT18J6, MWT27E/X/J5.....	103
Table 33	Parts List—Coin Acceptor and Vault MCR12E5, MCT16E5, MCT18E4, MCT27E5, MCR36E4.....	105

# 1 General Service & Safety Related Components





---

# Important Safety Instructions

---

## INSTALLERS / OWNER

**GROUNDING INSTRUCTIONS:** This appliance must be connected to a grounded metal, permanent wiring system, or an equipment-grounding conductor must be run with the circuit conductors and connected to the equipment-grounding terminal or lead on the appliance.

**GENERAL INSTRUCTIONS:**

- 1) Before the appliance is removed from service or discarded, remove the door.
- 2) Do not install or store this appliance where it will be exposed to the weather.
- 3) Do not repair or replace any part of the appliance or attempt any servicing unless specifically recommended in the user-maintenance instructions or in published User-repair instructions that you understand and have the skills to carry out.

## OWNER / OPERATOR

**WARNING:** To reduce the risk of fire, electric shock, or injury to persons when using your appliance, all users must follow basic precautions, including the following:

- 1) Read all instructions before using the appliance.
- 2) Do not allow children to play on or in the appliance. Close supervision of children is Necessary when the appliance is used near children.
- 3) Do not reach into the appliance if the tub or agitator is moving.
- 4) Do not tamper with controls.

**This envelope contains the user guides.  
SAVE THESE INSTRUCTIONS**

## **PELLERIN MILNOR CORPORATION LIMITED STANDARD WARRANTY**

We warrant to the original purchaser that MILNOR machines including electronic hardware/software (hereafter referred to as "equipment"), will be free from defects in material and workmanship for a period of one year from the date of shipment (unless the time period is specifically extended for certain parts pursuant to a specific MILNOR published extended warranty) from our factory with no operating hour limitation. This warranty is contingent upon the equipment being installed, operated and serviced as specified in the operating manual supplied with the equipment, and operated under normal conditions by competent operators.

Providing we receive written notification of a warranted defect within 30 days of its discovery, we will—at our option—repair or replace the defective part or parts, EX Factory (labor and freight specifically NOT included). We retain the right to require inspection of the parts claimed defective in our factory prior to repairing or replacing same. We will not be responsible, or in any way liable, for unauthorized repairs or service to our equipment, and this warranty shall be void if the equipment is tampered with, modified, or abused, used for purposes not intended in the design and construction of the machine, or is repaired or altered in any way without MILNOR's written consent.

Parts damaged by exposure to weather, to aggressive water, or to chemical attack are not covered by this warranty. For parts which require routine replacement due to normal wear—such as gaskets, contact points, brake and clutch linings, belts, hoses, and similar parts—the warranty time period is 90 days.

We reserve the right to make changes in the design and/or construction of our equipment (including purchased components) without obligation to change any equipment previously supplied.

ANY SALE OR FURNISHING OF ANY EQUIPMENT BY MILNOR IS MADE ONLY UPON THE EXPRESS UNDERSTANDING THAT MILNOR MAKES NO EXPRESSED OR IMPLIED WARRANTIES OF MERCHANTABILITY OR FITNESS FOR ANY PARTICULAR USE OR PURPOSE OR ANY OTHER WARRANTY IMPLIED BY LAW INCLUDING BUT NOT LIMITED TO REDHIBITION. MILNOR WILL NOT BE RESPONSIBLE FOR ANY COSTS OR DAMAGES ACTUALLY INCURRED OR REQUIRED AS A RESULT OF: THE FAILURE OF ANY OTHER PERSON OR ENTITY TO PERFORM ITS RESPONSIBILITIES, FIRE OR OTHER HAZARD, ACCIDENT, IMPROPER STORAGE, MIS-USE, NEGLIGENCE, POWER OR ENVIRONMENTAL CONTROL MALFUNCTIONS, DAMAGE FROM LIQUIDS, OR ANY OTHER CAUSE BEYOND THE NORMAL RANGE OF USE. REGARDLESS OF HOW CAUSED, IN NO EVENT SHALL MILNOR BE LIABLE FOR SPECIAL, INDIRECT, PUNITIVE, LIQUIDATED, OR CONSEQUENTIAL COSTS OR DAMAGES, OR ANY COSTS OR DAMAGES WHATSOEVER WHICH EXCEED THE PRICE PAID TO MILNOR FOR THE EQUIPMENT IT SELLS OR FURNISHES.

THE PROVISIONS ON THIS PAGE REPRESENT THE ONLY WARRANTY FROM MILNOR AND NO OTHER WARRANTY OR CONDITIONS, STATUTORY OR OTHERWISE, SHALL BE IMPLIED.

WE NEITHER ASSUME, NOR AUTHORIZE ANY EMPLOYEE OR OTHER PERSON TO ASSUME FOR US, ANY OTHER RESPONSIBILITY AND/OR LIABILITY IN CONNECTION WITH THE SALE OR FURNISHING OF OUR EQUIPMENT TO ANY BUYER.

BMP720097/19036

**BNUUUM01 / 2019342**

BNUUUM01 0000250121 B.3 1/2/20, 2:14 PM Released

## How to Get the Necessary Repair Components

BNUUUM01.C01 0000250120 C.2 B.3 A.3 1/2/20, 2:14 PM Released

You can get components to repair your machine from the approved supplier where you got this machine. Your supplier will usually have the necessary components in stock. You can also get components from the Milnor® factory.

Tell the supplier the machine model and serial number and this data for each necessary component:

- The component number from this manual
- The component name if known
- The necessary quantity
- The necessary transportation requirements
- If the component is an electrical component, give the schematic number if known.
- If the component is a motor or an electrical control, give the nameplate data from the used component.

To write to the Milnor® factory:

Pellerin Milnor Corporation  
 Post Office Box 400  
 Kenner, LA 70063-0400  
 UNITED STATES

Telephone: 504-712-7775

Fax: 504-469-9777

Email: parts@milnor.com

**BNUUUU02 / 2021104A**

BNUUUU02 0000158094 F.2 3/3/21, 9:47 AM Released

## Trademarks

BNUUUU02.R01 0000158093 C.2 F.2 E.2 3/3/21, 9:47 AM Released

These words are trademarks of Pellerin Milnor® Corporation and other entities:

**Table 1. Trademarks**

AutoSpot™	GreenFlex™	MilMetrix®	PulseFlow®
CBW®	GearTrace™	MilTouch™	RAM Command™
Drynet™	GreenTurn™	MilTouch-EX™	RecircONE®
E-P Express®	Hydro-cushion™	MILRAIL™	RinSave®
E-P OneTouch®	Mentor®	Miltrac™	SmoothCoil™

**Table 1 Trademarks (cont'd.)**

E-P Plus®	Mildata®	PBW™	Staph Guard®
Gear Guardian®	Milnor®		

BNWRUS08 / 2019335 BNWRUS08 0000249979 B.3 1/2/20, 2:19 PM Released

## Safety — Rigid Washer Extractors

BNWRUS08.C01 0000249978 C.2 B.3 A.3 1/2/20, 2:19 PM Released

### Safety Alert Messages—Internal Electrical and Mechanical Hazards

BNWRUS01.C03 0000234538 C.2 B.3 A.6 1/2/20, 2:19 PM Released

The following are instructions about hazards inside the machine and in electrical enclosures.



**WARNING: Electrocution and Electrical Burn Hazards** — Contact with electric power can kill or seriously injure you. Electric power is present inside the cabinetry unless the main machine power disconnect is off.



- ▶ Do not unlock or open electric box doors.
- ▶ Do not remove guards, covers, or panels.
- ▶ Do not reach into the machine housing or frame.
- ▶ Keep yourself and others off of machine.
- ▶ Know the location of the main machine disconnect and use it in an emergency to remove all electric power from the machine.



**WARNING: Entangle and Crush Hazards** — Contact with moving components normally isolated by guards, covers, and panels, can entangle and crush your limbs. These components move automatically.



- ▶ Do not remove guards, covers, or panels.
- ▶ Do not reach into the machine housing or frame.
- ▶ Keep yourself and others off of machine.
- ▶ Know the location of all emergency stop switches, pull cords, and/or kick plates and use them in an emergency to stop machine motion.

### Safety Alert Messages—Cylinder and Processing Hazards

BNWRUS03.C03 0000234586 C.2 B.3 A.4 1/2/20, 2:19 PM Released

The following are instructions about hazards related to the cylinder and laundering process.



**DANGER: Entangle and Sever Hazards** — Contact with goods being processed can cause the goods to wrap around your body or limbs and dismember you. The goods are normally isolated by the locked cylinder door.



- ▶ Do not attempt to open the door or reach into the cylinder until the cylinder is stopped.

- ▶ Do not touch goods inside or hanging partially outside the turning cylinder.
- ▶ Do not operate the machine with a malfunctioning door interlock.
- ▶ Know the location of all emergency stop switches, pull cords, and/or kick plates and use them in an emergency to stop machine motion.
- ▶ Know the location of the main machine disconnect and use it in an emergency to remove all electric power from the machine.



**WARNING: Crush Hazards** — Contact with the turning cylinder can crush your limbs. The cylinder will repel any object you try to stop it with, possibly causing the object to strike or stab you. The turning cylinder is normally isolated by the locked cylinder door.



- ▶ Do not attempt to open the door or reach into the cylinder until the cylinder is stopped.
- ▶ Do not place any object in the turning cylinder.
- ▶ Do not operate the machine with a malfunctioning door interlock.



**WARNING: Confined Space Hazards** — Confinement in the cylinder can kill or injure you. Hazards include but are not limited to panic, burns, poisoning, suffocation, heat prostration, biological contamination, electrocution, and crushing.



- ▶ Do not attempt unauthorized servicing, repairs, or modification.



**WARNING: Explosion and Fire Hazards** — Flammable substances can explode or ignite in the cylinder, drain trough, or sewer. The machine is designed for washing with water, not any other solvent. Processing can cause solvent-containing goods to give off flammable vapors.



- ▶ Do not use flammable solvents in processing.
- ▶ Do not process goods containing flammable substances. Consult with your local fire department/public safety office and all insurance providers.

## Safety Alert Messages—Unsafe Conditions

BNWRUS04.C01 0000234585 C.2 B.3 A.3 1/2/20, 2:19 PM Released

### Damage and Malfunction Hazards

BNWRUS04.C02 0000234584 C.2 B.3 A.3 1/2/20, 2:19 PM Released

### Hazards Resulting from Inoperative Safety Devices

BNWRUS04.C03 0000234583 C.2 B.3 B.4 1/2/20, 2:19 PM Released



**DANGER: Entangle and Sever Hazards** — Cylinder door interlock—Operating the machine with a malfunctioning door interlock can permit opening the door when the cylinder is turning and/or starting the cycle with the door open, exposing the turning cylinder.



- ▶ Do not operate the machine with any evidence of damage or malfunction.



**WARNING: Multiple Hazards** — Operating the machine with an inoperative safety device can kill or injure personnel, damage or destroy the machine, damage property, and/or void the warranty.

- ▶ Do not tamper with or disable any safety device or operate the machine with a malfunctioning safety device. Request authorized service.



**WARNING: Electrocuting and Electrical Burn Hazards** — Electric box doors—Operating the machine with any electric box door unlocked can expose high voltage conductors inside the box.



- ▶ Do not unlock or open electric box doors.



**WARNING: Entangle and Crush Hazards** — Guards, covers, and panels—Operating the machine with any guard, cover, or panel removed exposes moving components.



- ▶ Do not remove guards, covers, or panels.

### Hazards Resulting from Damaged Mechanical Devices

BNWRUS04.C04 0000234652 C.2 B.3 B.2 1/2/20, 2:19 PM Released



**WARNING: Multiple Hazards** — Operating a damaged machine can kill or injure personnel, further damage or destroy the machine, damage property, and/or void the warranty.

- ▶ Do not operate a damaged or malfunctioning machine. Request authorized service.



**WARNING: Explosion Hazards** — Cylinder—A damaged cylinder can rip apart during extraction, puncturing the shell and discharging metal fragments at high speed.



- ▶ Do not operate the machine with any evidence of damage or malfunction.



**WARNING: Explosion Hazards** — Clutch and speed switch (multiple motor machines)—A damaged clutch or speed switch can permit the low speed motor to engage during extract. This will over-speed the motor and pulleys and can cause them to rip apart, discharging metal fragments at high speed.



- ▶ Stop the machine immediately if any of these conditions occur: • abnormal whining sound during extract • skidding sound as extract ends • clutches remain engaged or re-engage during extract

## Careless Use Hazards

BNWRUS04.C05 0000234651 C.2 B.3 A.2 1/2/20, 2:19 PM Released

### Careless Operation Hazards—Vital Information for Operator Personnel (see also operator hazards throughout manual)

BNWRUS04.C06 0000234650 C.2 B.3 A.3 1/2/20, 2:19 PM Released



**WARNING: Multiple Hazards** — Careless operator actions can kill or injure personnel, damage or destroy the machine, damage property, and/or void the warranty.

- ▶ Do not tamper with or disable any safety device or operate the machine with a malfunctioning safety device. Request authorized service.
- ▶ Do not operate a damaged or malfunctioning machine. Request authorized service.
- ▶ Do not attempt unauthorized servicing, repairs, or modification.
- ▶ Do not use the machine in any manner contrary to the factory instructions.
- ▶ Use the machine only for its customary and intended purpose.
- ▶ Understand the consequences of operating manually.

### Careless Servicing Hazards—Vital Information for Service Personnel (see also service hazards throughout manuals)

BNWRUS04.C07 0000234649 C.2 B.3 A.3 1/2/20, 2:19 PM Released



**WARNING: Electrocutation and Electrical Burn Hazards** — Contact with electric power can kill or seriously injure you. Electric power is present inside the cabinetry unless the main machine power disconnect is off.



- ▶ Do not service the machine unless qualified and authorized. You must clearly understand the hazards and how to avoid them.
- ▶ Abide by the current OSHA lockout/tagout standard when lockout/tagout is called for in the service instructions. Outside the USA, abide by the OSHA standard in the absence of any other overriding standard.



**WARNING: Entangle and Crush Hazards** — Contact with moving components normally isolated by guards, covers, and panels, can entangle and crush your limbs. These components move automatically.



- ▶ Do not service the machine unless qualified and authorized. You must clearly understand the hazards and how to avoid them.
- ▶ Abide by the current OSHA lockout/tagout standard when lockout/tagout is called for in the service instructions. Outside the USA, abide by the OSHA standard in the absence of any other overriding standard.



**WARNING: Confined Space Hazards** — Confinement in the cylinder can kill or injure you. Hazards include but are not limited to panic, burns, poisoning, suffocation, heat prostration, biological contamination, electrocution, and crushing.



- ▶ Do not enter the cylinder until it has been thoroughly purged, flushed, drained, cooled, and immobilized.

# Installation Tag Guidelines

BNWCAI01.R01 0000204675 C.2 9/9/22, 3:16 PM Released

MCR12E5	MCR36E4	MCT16E5
MCT18E4	MCT27E5	



**NOTICE:** This information may apply to models in addition to those listed above. It applies to paper tags. It does not apply to the vinyl or metal safety placards, which must remain permanently affixed to the machine and replaced if no longer readable.

Paper tags on the machine provide installation guidelines and precautions. The tags can be tie-on or adhesive. You can remove tie-on tags and white, adhesive tags after installation. Yellow adhesive tags must remain on the machine.

The following entries explain the installation tags. Each entry includes: 1) the tag illustration, 2) the tag part number at the bottom of the tag, and 3) the meaning of the tag.

**Display or Action**

**Explanation**



Read the manuals before proceeding. This symbol appears on most tags. The machine ships with safety, operator, and routine maintenance guides for customer use. Milnor dealer manuals for installing, commissioning, and servicing the machine are also available from the Milnor Parts department.



B2TAG88005: This carefully built product was tested and inspected to meet Milnor performance and quality standards by (identification mark of tester).



B2TAG94078: Do not forklift here; do not jack here; do not step here—whichever applies. (Not used on MCT models.)

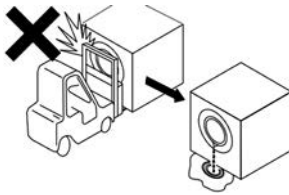


B2TAG94081: Motor must rotate in this direction. On single motor washer-extractors and centrifugal extractors, the drive motor must turn in this direction during draining and extraction. This tag is usually wrapped around a motor housing. If the motor turns in the opposite direction when the machine is first tested, the electrical hookup is incorrect and must be reversed as explained in the schematic manual.

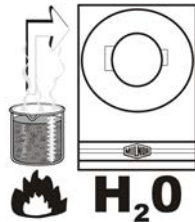


B2TAG94097: The cylinder must rotate **counterclockwise** during draining and extraction (spin) when viewed from here (rear of machine). Otherwise, reverse the electric power connections, as explained in the schematic manual.





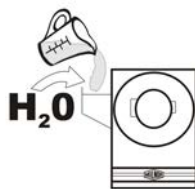
B2TAG94099: Do not strike the shell door when fork-lifting. This can cause the door to leak.



B2T2001013: Hot water connection.



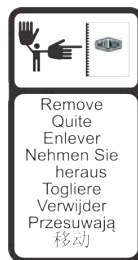
B2T2001014: Cold water connection.



B2T2001016: Flushing water connection. This is the water that goes into the supply compartment or pumped chemical manifold to flush chemicals into the machine.



B2T2006001: Remove restraints inside. Your machine requires either one or two anchor bolts on each corner of the base, as shown. (Not used on MCR36E4.)



B2T2006002: Remove this restraint from the vibration switch.



B2T2008007: Do not exceed 160° Fahrenheit (71° Celsius) water temperature. Excessive temperature can damage the water valves in this machine. Eliminate water hammer on the water lines to this machine. Water hammer can rupture the water inlet valves on this machine. Follow applicable codes when installing water hammer arresters. Maintain incoming water pressure between 10 and 75 psi (between 0.7 and 5.1 bar). Pressures outside this range can damage the water valves in this machine.



B2T2018004: Install 8 anchor bolts. Remove vibration switch restraint. (Only used on MCR36E4.)

BNWCAI02 / 2022376 BNWCAI02 0000204672 C.3 9/9/22, 3:30 PM Released

## Installation Tag Guidelines

BNWCAI02.R01 0000204671 C.2 C.3 9/9/22, 3:30 PM Released

MWF18J8	MWR12J5	MWR12X5	MWR36J4
MWT12E5	MWT12J5	MWT12X5	MWT16E5
MWT16J5	MWT16X5	MWT18E4	MWT18J6
MWT18X4	MWT27E5	MWT27J5	MWT27X5

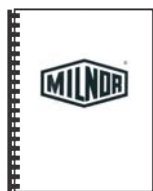


**NOTICE:** This information may apply to models in addition to those listed above. It applies to paper tags. It does not apply to the vinyl or metal safety placards, which must remain permanently affixed to the machine and replaced if no longer readable.

Paper tags on the machine provide installation guidelines and precautions. The tags can be tie-on or adhesive. You can remove tie-on tags and white, adhesive tags after installation. Yellow adhesive tags must remain on the machine.

The following entries explain the installation tags. Each entry includes: 1) the tag illustration, 2) the tag part number at the bottom of the tag, and 3) the meaning of the tag.

### Display or Action



### Explanation

Read the manuals before proceeding. This symbol appears on most tags. The machine ships with safety, operator, and routine maintenance guides for customer use. Milnor dealer manuals for installing, commissioning, and servicing the machine are also available from the Milnor Parts department.



B2TAG88005: This carefully built product was tested and inspected to meet Milnor performance and quality standards by (identification mark of tester).



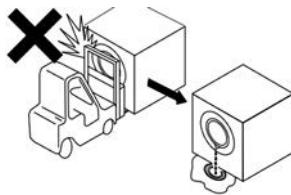
B2TAG94078: Do not forklift here; do not jack here; do not step here—whichever applies. (Not used on MWT models.)



B2TAG94081: Motor must rotate in this direction. On single motor washer-extractors and centrifugal extractors, the drive motor must turn in this direction during draining and extraction. This tag is usually wrapped around a motor housing. If the motor turns in the opposite direction when the machine is first tested, the electrical hookup is incorrect and must be reversed as explained in the schematic manual.



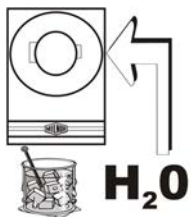
B2TAG94097: The cylinder must rotate **counterclockwise** during draining and extraction (spin) when viewed from here (rear of machine). Otherwise, reverse the electric power connections, as explained in the schematic manual.



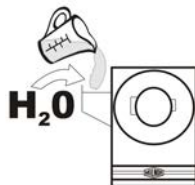
B2TAG94099: Do not strike the shell door when fork-lifting. This can cause the door to leak.



B2T2001013: Hot water connection.



B2T2001014: Cold water connection.



B2T2001016: Flushing water connection. This is the water that goes into the supply compartment or pumped chemical manifold to flush chemicals into the machine.



B2T2004027: Steam connection. (Optional) (Not used on MWT18\_ models.)



B2T2006001: Remove restraints inside. Your machine requires either one or two anchor bolts on each corner of the base, as shown. (Not used on MWR36J4.)



B2T2006002: Remove this restraint from the vibration switch.



B2T2008007: Do not exceed 160° Fahrenheit (71° Celsius) water temperature. Excessive temperature can damage the water valves in this machine. Eliminate water hammer on the water lines to this machine. Water hammer can rupture the water inlet valves on this machine. Follow applicable codes when installing water hammer arresters. Maintain incoming water pressure between 10 and 75 psi (between 0.7 and 5.1 bar). Pressures outside this range can damage the water valves in this machine.



B2T2018004: Install 8 anchor bolts. Remove vibration switch restraint. (Used only on MWR36J4.)

This page intentionally blank

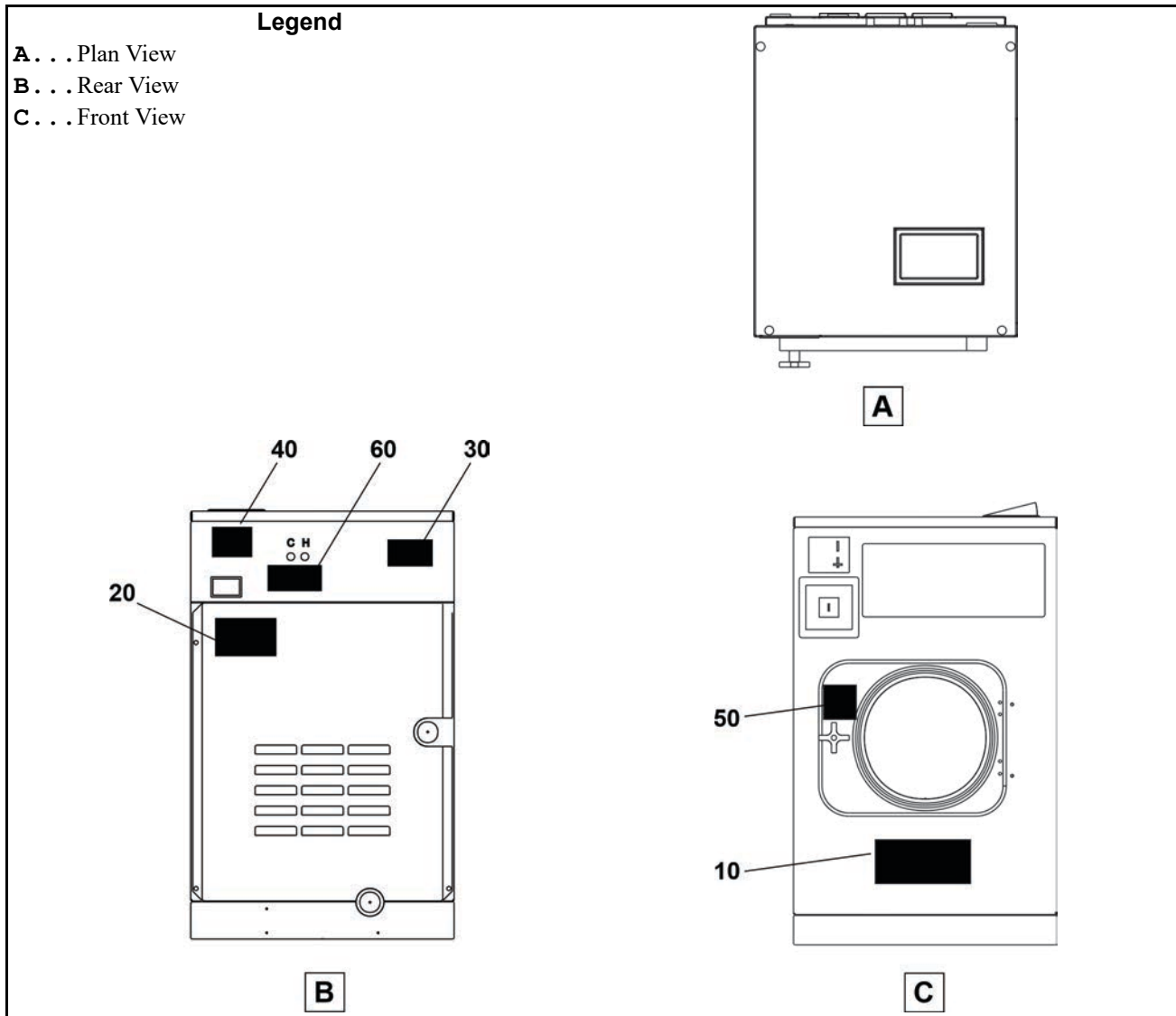
## Safety Placard Use and Placement

2 Sheets

MCR12E5, MCR16E5, MCR18E4, MCR27E5, MCT12E5, MCT16E5, MCT18E4, MCT27E5, MCR36E4



**NOTICE:** Replace placard immediately, if removed or unreadable. Approximate locations of placards are shown. If aluminum placard, mounting holes are provided on machine. Use #8 self-tapping screws.



## Safety Placard Use and Placement

2 Sheets

MCR12E5, MCR16E5, MCR18E4, MCR27E5, MCT12E5, MCT16E5, MCT18E4, MCT27E5, MCR36E4

**Table 2. Parts List—Safety Placard Use and Placement**

Find the assembly for your machine and the letter shown in the "Item" column. The components for your machine will show this letter or the word "all" in the "Used In" column. The numbers shown in the "Item" column are those shown in the illustrations.				
Used In	Item	Part Number	Description/Nomenclature	Comments
Components				
all	10	01 10707B	NPLT:WARNING FRT SHELL MW COIN	
all	20	01 10708B	NPLT:REAR WARNINGS MW COIN	
all	30	01 10375D	NPLT:ELEC HAZARD MW-TCATA	
all	40	01 10092E	NPLT:SPEC PLT-MD IN CHINA-ENG	MCR12, 16, 18 MCT12, 16, 18
all	40	01 10093E	NPLT:SPEC PLT+CODE-ENGLISH	MCR27, MCT27
all	50	01 10709B	NPLT:DOOR ILOC INST MW COIN	MCR36E4
all	60	01 10710A	NPLT:CAUTION CHEMICAL SYSTEM	

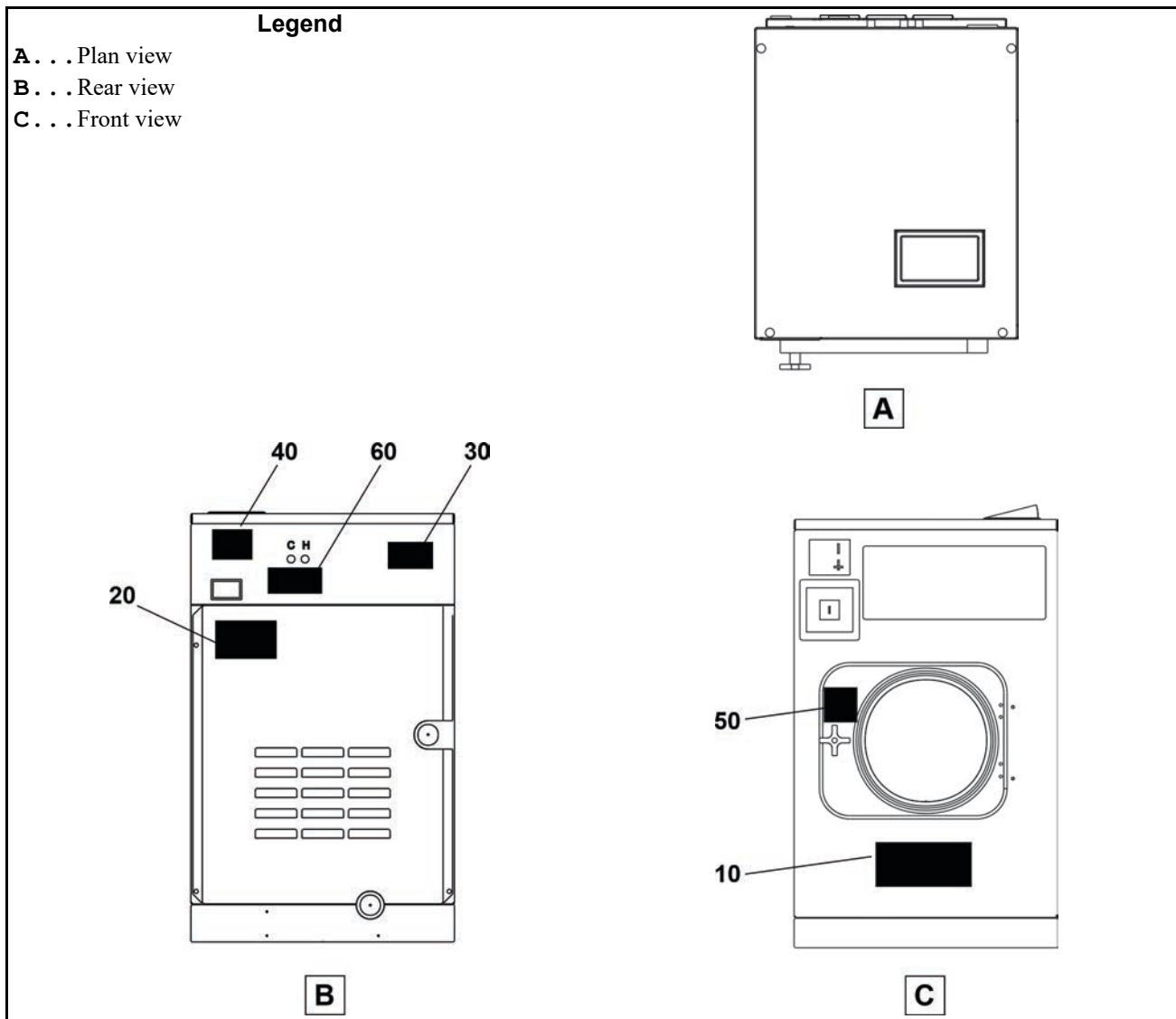
## Safety Placard Use and Placement

2 Sheets

MWR12E5, MWR16E5, MWR18E4, MWR18X4, MWR18J4, MWR27E5, MWR36J4, MWT12E5, MWT16E5, MWT18E4, MWT18X4, MWT18J4, MWT27E5



**NOTICE:** Replace placard immediately, if removed or unreadable. Approximate locations of placards are shown. If aluminum placard, mounting holes are provided on machine. Use #8 self-tapping screws.





## Safety Placard Use and Placement

2 Sheets

MWR12E5, MWR16E5, MWR18E4, MWR18X4, MWR18J4, MWR27E5, MWR36J4, MWT12E5, MWT16E5, MWT18E4, MWT18X4, MWT18J4, MWT27E5

**Table 3. Parts List—Safety Placard Use and Placement**

Find the assembly for your machine and the letter shown in the "Item" column. The components for your machine will show this letter or the word "all" in the "Used In" column. The numbers shown in the "Item" column are those shown in the illustrations.				
Used In	Item	Part Number	Description/Nomenclature	Comments
Components				
all	10	01 10707B	NPLT:WARNING FRT SHELL MW COIN	
all	20	01 10708B	NPLT:REAR WARNINGS MW COIN	
all	30	01 10375D	NPLT:ELEC HAZARD MW-TCATA	
all	40	01 10092E	NPLT:SPEC PLT-MD IN CHINA-ENG	MWR12, 16, 18 MWT12, 16, 18
all	40	01 10093E	NPLT:SPEC PLT+CODE-ENGLISH	MWR27, MWT27 MWR36J4
all	50	01 10709B	NPLT:DOOR ILOC INST MW COIN	
all	60	01 10710A	NPLT:CAUTION CHEMICAL SYSTEM	

BPWCAM03 / 2021515

BPWCAM03.1 0000401528 C.2 A.7 12/17/21, 3:43 PM Released

**Guards and Covers**

3 Sheets

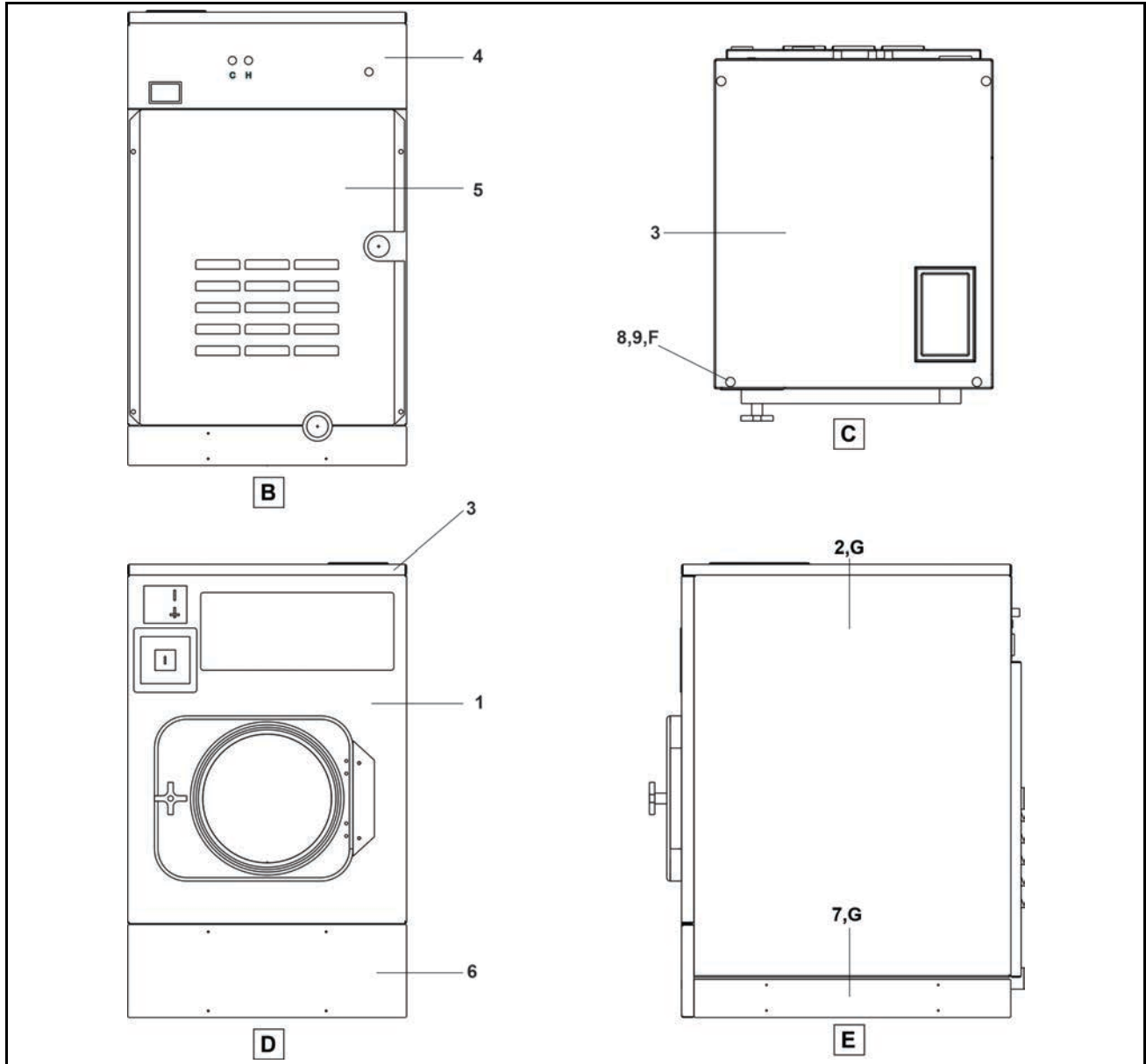
MCR12E5, MCR16E5, MCR18E4, MWR12E5, MWR16E5, MWR18E4, MWR18X4, MWR18J4



**Guards and Covers**

3 Sheets

MCR12E5, MCR16E5, MCR18E4, MWR12E5, MWR16E5, MWR18E4, MWR18X4, MWR18J4



**Legend**

- B** . . . Rear
- C** . . . Top
- D** . . . Front
- E** . . . Right
- F** . . . 4 instances
- G** . . . Left and right sides

**Guards and Covers**

3 Sheets

MCR12E5, MCR16E5, MCR18E4, MWR12E5, MWR16E5, MWR18E4, MWR18X4, MWR18J4

**Table 4. Parts List—Guards and Covers**

Find the assembly for your machine and the letter shown in the "Item" column. The components for your machine will show this letter or the word "all" in the "Used In" column. The numbers shown in the "Item" column are those shown in the illustrations.				
Used In	Item	Part Number	Description/Nomenclature	Comments
Reference Assemblies				
	A	GHG575X347	2314 CABINET ASSEMBLY 9KG	MCR12E5
	B	GHG2318001	2318 CABINET ASSY 16KG	MCR16E5
	C	GHG700X468	CABINET 18KG	MCR18E4
	D	GHG9KGOP	CABINET 9KG-OPL	MWR12E5
	E	GHG2318002	2318 CABINET 16KG OPL	MWR16E5
	F	GHG18KGOP	CABINET 18KG-OPL	MWR18E5, MWR18X4, MWR18J4
Components				
A	1	03 40001	CSM CABINET FRONT 575X347	
B	1	03 40101	CSX CABINET FRONT 16KG	
C	1	03 40201	CSX CABINET FRONT 18KG	
D	1	03 40001A	CABINET FRONT 9KG-OPL	
E	1	03 40101A	CSX CABINET FRONT 16KG OPL	
F	1	03 40201A	CSX CABINET FRONT 18KG-OPL	
AD	2	03 40002	CSM PANEL SIDE STAINLESS 9KG	
BE	2	03 40102P	CSX CABINET SIDE 16KG C/S	
CF	2	03 40202	CSX PANEL SIDE STAINLESS 18KG	
AD	3	03 40003	CSM CABINET TOP 575X347	
BE	3	03 40103	CSX CABINET TOP 2318	
CF	3	03 40203	CSX CABINET TOP 700X468	
AD	4	03 40004	CSM CABINET REAR VAL MT 575X347	
BE	4	03 40104	CSX CABINET REAR MTBKT 2314	
CF	4	03 40204	CSX CABINET REAR MTBKT 700X468	
AD	5	03 40027	CSX CABINET BACK COVER 575X347	
BE	5	03 40127	CSX CABINET REAR GUARD 16KG	
CF	5	03 40227	CSX CABINET REAR GUARD 18KG	
AD	6	03 40040	CSX LOWER FRONT GUARD 9KG	
BE	6	03 40140	CSX LOWER FRONT COVER 16KG	
CF	6	03 40240	CSX LOWER FRONT COVER	
AD	7	03 40040A	CSX PANEL LOW STAINLESS 9KG	
BE	7	03 40140P	CSX LOWER SIDE COVER LF/RT C/S	
CF	7	03 40240A	CSX PANEL LOW STAINLESS 18KG	
all	8	15K120M	HXCAPSCREW M8X40 8.8 FULTH	
all	9	17N070M	CAGE NUT M8 1.8-3.2MM THK	

BNUUUN02 / 2019125

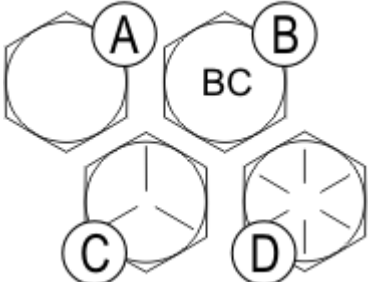
BNUUUN02 0000222452 B.3 1/2/20, 2:14 PM Released

## Torque Requirements for Fasteners

BNUUUN02.C01 0000222451 C.2 B.3 A.3 1/2/20, 2:14 PM Released

The document about the assembly gives the torque requirements for other fasteners. **If fastener torque specifications or threadlocker requirements in an assembly document are different from this document, use the assembly document.**

Figure 1. The Bolts in Milnor® Equipment

The Marks on Bolt Heads	Legend
	<p><b>A</b> . . . SAE Grades 1 and 2, ASTM A307, and stainless steel</p> <p><b>B</b> . . . Grade BC, ASTM A354</p> <p><b>C</b> . . . SAE Grade 5, ASTM A449</p> <p><b>D</b> . . . SAE Grade 8 and ASTM A354 BD</p>

## Torque Values

BNUUUN02.C02 0000222449 C.2 B.3 A.3 1/2/20, 2:14 PM Released

These tables give the standard dimension, grade, threadlocker, and torque requirements for fasteners frequently used on Milnor® equipment.



**NOTE:** Data from the Pellerin Milnor® Corporation “Bolt Torque Specification” (bolt\_torque\_milnor.xls/2002096).

### Fasteners Made of Carbon Steel

BNUUUN02.C03 0000222448 C.2 B.3 A.3 1/2/20, 2:14 PM Released

#### Without a Threadlocker

BNUUUN02.C04 0000222447 C.2 B.3 A.3 1/2/20, 2:14 PM Released

Table 5. Torque Values for Standard Fasteners with Maximum 5/16-inch Diameters and No Lubricant

Dimension	The Grade of the Bolt							
	Grade 2		Grade 5		Grade 8		Grade BC	
	Pound-Inches	N-m	Pound-Inches	N-m	Pound-Inches	N-m	Pound-Inches	N-m
1/4 x 20	66	7	101	11	143	16	126	14
1/4 x 28	76	9	116	13	163	18	–	–
5/16 x 18	136	15	209	24	295	33	258	29
5/16 x 24	150	17	232	26	325	37	–	–

**Table 6. Torque Values for Standard Fasteners Larger Than 5/16-inch Diameters and No Lubricant**

Dimension	The Grade of the Bolt							
	Grade 2		Grade 5		Grade 8		Grade BC	
	Pound-Feet	N-m	Pound-Feet	N-m	Pound-Feet	N-m	Pound-Feet	N-m
3/8 x 16	20	27	31	42	44	59	38	52
3/8 x 24	23	31	35	47	50	68	–	–
7/16 x 14	32	43	49	66	70	95	61	83
7/16 x 20	36	49	55	75	78	105	–	–
1/2 x 13	49	66	75	102	107	145	93	126
1/2 x 20	55	75	85	115	120	163	–	–
9/16 x 12	70	95	109	148	154	209	134	182
9/16 x 18	78	106	121	164	171	232	–	–
5/8 x 11	97	131	150	203	212	287	186	252
5/8 x 18	110	149	170	231	240	325	–	–
3/4 x 10	172	233	266	361	376	510	329	446
3/14 x 16	192	261	297	403	420	569	–	–
7/8 x 9	167	226	429	582	606	821	531	719
7/8 x 14	184	249	473	641	668	906	–	–
1 x 8	250	339	644	873	909	1232	796	1079
1 x 12	274	371	704	954	994	1348	–	–
1 x 14	281	381	723	980	1020	1383	–	–
1 1/8 x 7	354	480	794	1077	1287	1745	1126	1527
1 1/8 x 12	397	538	891	1208	1444	1958	–	–
1 1/4 x 7	500	678	1120	1519	1817	2464	1590	2155
1 1/4 x 12	553	750	1241	1682	2012	2728	–	–
1 3/8 x 6	655	888	1469	1992	2382	3230	2085	2827
1 3/8 x 12	746	1011	1672	2267	2712	3677	–	–
1 1/2 x 6	869	1178	1949	2642	3161	4286	2767	3751
1 1/2 x 12	979	1327	2194	2974	3557	4822	–	–

**Table 7. Torque Values for Plated Fasteners with Maximum 5/16-inch Diameters and No Lubricant**

Dimension	The Grade of the Bolt							
	Grade 2		Grade 5		Grade 8		Grade BC	
	Pound-Inches	N-m	Pound-Inches	N-m	Pound-Inches	N-m	Pound-Inches	N-m
1/4 x 20	49	6	76	9	107	12	95	11
1/4 x 28	56	6	88	10	122	14	–	–
5/16 x 18	102	12	156	18	222	25	193	22
5/16 x 24	113	13	174	20	245	28	–	–

**Table 8. Torque Values for Plated Fasteners Larger Than 5/16-inch Diameters and No Lubricant**

Dimension	The Grade of the Bolt							
	Grade 2		Grade 5		Grade 8		Grade BC	
	Pound-Feet	N-m	Pound-Feet	N-m	Pound-Feet	N-m	Pound-Feet	N-m
3/8 x 16	15	20	23	31	33	44	29	38
3/8 x 24	17	23	26	35	37	49	–	–
7/16 x 14	24	32	37	50	52	71	46	61
7/16 x 20	27	36	41	55	58	78	–	–
1/2 x 13	37	49	56	76	80	106	70	93
1/2 x 20	41	55	64	85	90	120	–	–
9/16 x 12	53	70	81	110	115	153	101	134
9/16 x 18	59	79	91	122	128	174	–	–
5/8 x 11	73	97	113	150	159	212	139	186
5/8 x 18	83	110	127	172	180	240	–	–
3/4 x 10	129	173	200	266	282	376	246	329
3/4 x 16	144	192	223	297	315	420	–	–
7/8 x 9	125	166	322	430	455	606	398	531
7/8 x 14	138	184	355	474	501	668	–	–
1 x 8	188	250	483	644	682	909	597	796
1 x 12	205	274	528	716	746	995	–	–
1 x 14	210	280	542	735	765	1037	–	–
1 1/8 x 7	266	354	595	807	966	1288	845	1126
1 1/8 x 12	298	404	668	890	1083	1444	–	–
1 1/4 x 7	375	500	840	1120	1363	1817	1192	1590
1 1/4 x 12	415	553	930	1261	1509	2013	–	–
1 3/8 x 6	491	655	1102	1470	1787	2382	1564	2085
1 3/8 x 12	559	758	1254	1672	2034	2712	–	–
1 1/2 x 6	652	870	1462	1982	2371	3161	2075	2767
1 1/2 x 12	733	994	1645	2194	2668	3557	–	–

**With a Threadlocker**

BNUUUN02.C05 0000222446 C.2 B.3 A.3 1/2/20, 2:14 PM Released

**Table 9. Threadlocker by the Diameter of the Bolt (see below Note )**

LocTite Product	Dimension			
	1/4-inch	1/4- to 5/8-inch	5/8- to 7/8-inch	1-inch +
LocTite 222	OK			
LocTite 242		OK		
LocTite 262			OK	
LocTite 272			High temperature	
LocTite 277				OK



**NOTE:** The acceptable bolt size ranges for various LocTite® threadlocking products is the LocTite manufacturer’s **general** recommendation. Specific applications sometime require that a LocTite product is applied to a bolt size outside the ranges shown here. For example, Milnor® specifies LocTite 242 for use on certain 1" bolt applications and has confirmed this usage with the LocTite manufacturer. You may see variances such as this in the documentation for specific machine assemblies.

**Table 10. Torque Values if You Apply LocTite 222**

Dimension	The Grade of the Bolt							
	Grade 2		Grade 5		Grade 8		Grade BC	
	Pound-Inches	N-m	Pound-Inches	N-m	Pound-Inches	N-m	Pound-Inches	N-m
1/4 x 20	60	7	96	11	132	15	108	12
1/4 x 28	72	8	108	12	144	16	–	–

**Table 11. Torque Values if You Apply LocTite 242**

Dimension	The Grade of the Bolt							
	Grade 2		Grade 5		Grade 8		Grade BC	
	Pound-Feet	N-m	Pound-Feet	N-m	Pound-Feet	N-m	Pound-Feet	N-m
5/16 x 18	11	15	17	23	25	34	22	30
5/16 x 24	13	18	19	26	27	37	27	37
3/8 x 16	20	27	31	42	44	60	38	52
3/8 x 24	23	31	35	47	50	68	–	–
7/16 x 14	32	43	49	66	70	95	61	83
7/16 x 20	36	49	55	75	78	106	–	–
1/2 x 13	49	66	75	102	107	145	93	126
1/2 x 20	55	75	85	115	120	163	–	–
9/16 x 12	70	95	109	148	154	209	134	182
9/16 x 18	78	106	121	164	171	232	–	–
5/8 x 11	97	132	150	203	212	287	186	252
5/8 x 18	110	149	170	230	240	325	–	–

**Table 12. Torque Values if You Apply LocTite 262**

Dimension	The Grade of the Bolt							
	Grade 2		Grade 5		Grade 8		Grade BC	
	Pound-Feet	N-m	Pound-Feet	N-m	Pound-Feet	N-m	Pound-Feet	N-m
3/4 x 10	155	210	240	325	338	458	296	401
3/4 x 16	173	235	267	362	378	512	–	–
7/8 x 9	150	203	386	523	546	740	477	647
7/8 x 14	165	224	426	578	601	815	–	–

**Table 13. Torque Values if You Apply LocTite 272 (High-Temperature)**

Dimension	The Grade of the Bolt							
	Grade 2		Grade 5		Grade 8		Grade BC	
	Pound-Feet	N-m	Pound-Feet	N-m	Pound-Feet	N-m	Pound-Feet	N-m
1 x 8	350	475	901	1222	1272	1725	1114	1510
1 x 12	383	519	986	1337	1392	1887	–	–



**Table 13 Torque Values if You Apply LocTite 272 (High-Temperature) (cont'd.)**

Dimension	The Grade of the Bolt							
	Grade 2		Grade 5		Grade 8		Grade BC	
	Pound-Feet	N-m	Pound-Feet	N-m	Pound-Feet	N-m	Pound-Feet	N-m
1 x 14	393	533	1012	1372	1428	1936	–	–
1-1/8 x 7	496	672	1111	1506	1802	2443	1577	2138
1-1/8 x 12	556	754	1247	1691	2022	2741	–	–
1-1/4 x 7	700	949	1568	2126	2544	3449	2226	3018
1-1/4 x 12	774	1049	1737	2355	2816	3818	–	–
1-3/8 x 6	917	1243	2056	2788	3335	4522	2919	3958
1-3/8 x 12	1044	1415	2341	3174	3797	5148	–	–
1-1/2 x 6	1217	1650	2729	3700	4426	6001	3873	5251
1-1/2 x 12	1369	1856	3071	4164	4980	6752	–	–

**Table 14. Torque Values if You Apply LocTite 277**

Dimension	The Grade of the Bolt							
	Grade 2		Grade 5		Grade 8		Grade BC	
	Pound-Feet	N-m	Pound-Feet	N-m	Pound-Feet	N-m	Pound-Feet	N-m
1 x 8	325	441	837	1135	1181	1601	1034	1402
1 x 12	356	483	916	1242	1293	1753	–	–
1 x 14	365	495	939	1273	1326	1798	–	–
1-1/8 x 7	461	625	1032	1399	1674	2270	1464	1985
1-1/8 x 12	516	700	1158	1570	1877	2545	–	–
1-1/4 x 7	650	881	1456	1974	2362	3202	2067	2802
1-1/4 x 12	719	975	1613	2187	2615	3545	–	–
1-3/8 x 6	851	1154	1909	2588	3097	4199	2710	3674
1-3/8 x 12	970	1315	2174	2948	3526	4781	–	–
1-1/2 x 6	1130	1532	2534	3436	4110	5572	3597	4877
1-1/2 x 12	1271	1723	2852	3867	4624	6269	–	–

## Stainless Steel Fasteners

BNUUUN02.C06 0000222445 C.2 B.3 A.3 1/2/20, 2:14 PM Released

**Table 15. Torque Values for Stainless Steel Fasteners 5/16-inch and Smaller**

Dimension	316 Stainless		18-8 Stainless		18-8 Stainless with Loctite 767	
	Pound-Inches	N-m	Pound-Inches	N-m	Pound-Inches	N-m
1/4 x 20	79	9	76	9	45	5
1/4 x 28	100	11	94	11	56	6
5/16 x 18	138	16	132	15	79	9
5/16 x 24	148	17	142	16	85	10

**Table 16. Torque Values for Stainless Steel Fasteners Larger Than 5/16-inch**

Dimension	316 Stainless		18-8 Stainless		18-8 Stainless with Loctite 767	
	Pound-Feet	N-m	Pound-Feet	N-m	Pound-Feet	N-m
3/8 x 16	21	28	20	27	12	16
3/8 x 24	23	31	22	29	13	18
7/16 x 14	33	44	31	42	19	25
7/16 x 20	35	47	33	45	20	27
1/2 x 13	45	61	43	58	26	35
1/2 x 20	47	64	45	61	27	37
9/16 x 12	59	81	57	77	34	46
9/16 x 18	66	89	63	85	38	51
5/8 x 11	97	131	93	125	56	75
5/8 x 18	108	150	104	141	62	84
3/4 x 10	132	179	128	173	77	104
3/4 x 16	130	176	124	168	75	101
7/8 x 9	203	275	194	263	116	158
7/8 x 14	202	273	193	262	116	157
1 x 8	300	406	287	389	172	233
1 x 14	271	367	259	351	156	211
1-1/8 x 7	432	586	413	560	248	336
1-1/8 x 12	408	553	390	529	234	317
1-1/4 x 7	546	740	523	709	314	425
1-1/4 x 12	504	683	480	651	288	390
1-1/2 x 6	930	1261	888	1204	533	722
1-1/2 x 12	732	992	703	953	422	572

## Preparation

BNUUUN02.T01 0000222511 C.2 B.3 A.3 1/2/20, 2:14 PM Released



**WARNING: Fire Hazard** — Some solvents and primers are flammable.



- ▶ Use threadlocker and primers with sufficient airflow.
- ▶ Do not use flammable material near ignition sources.

1. Clean all threads with a wire brush or a different tool.
2. Remove the grease from the fasteners and the mating threads with solvent. Make the parts dry.



**NOTE:** Loctite 7649 Primer™ or standard solvents will remove grease from parts.

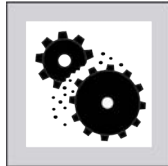
3. Apply a spray of LocTite 7649 Primer™ or equal on the fasteners and the mating threads. Let the primer dry for one minute minimum.

## How to Apply a Threadlocker

BNUUUN02.T02 0000222508 C.2 B.3 A.3 11/26/19, 2:48 PM Released



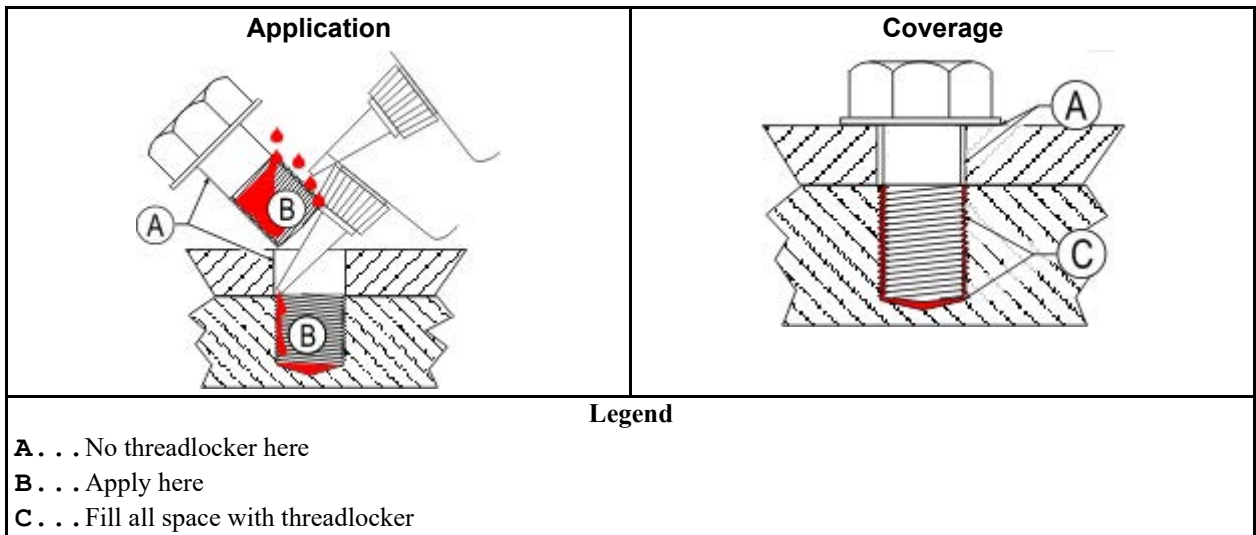
**CAUTION: Malfunction Hazard** — Heat, vibration, or mechanical shocks can let the fasteners loosen if you do not apply the threadlocker correctly. Loose fasteners can cause malfunctions of the equipment.



- Read the threadlocker manufacturer's instructions and warnings. Obey these instructions.

Apply the threadlocker only to the areas where the fastener threads and the mating threads engage.

**Figure 2. Apply Threadlocker in a Blind Hole**



## Blind Holes

BNUUUN02.T03 0000222507 C.2 B.3 A.3 1/2/20, 2:14 PM Released

1. Apply the threadlocker down the threads to the bottom of the hole.
2. Apply the threadlocker to the bolt.
3. Tighten the bolt to the value shown in the correct table ([Table 9: Threadlocker by the Diameter of the Bolt](#) (see below Note ), page 29 to [Table 15: Torque Values for Stainless Steel Fasteners 5/16-inch and Smaller](#), page 31 ).

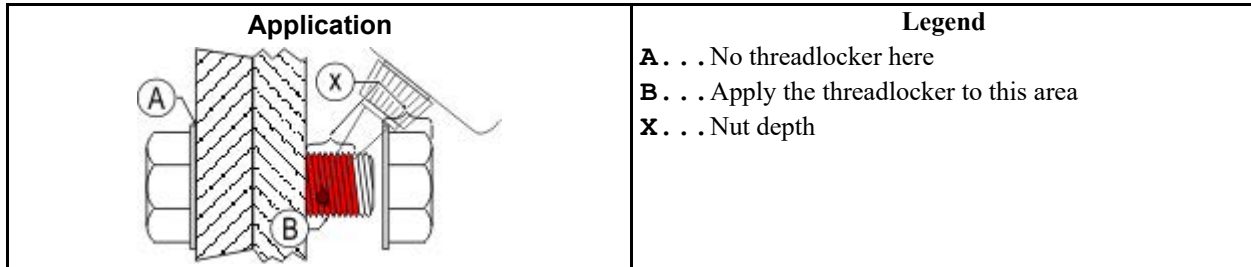
## Through Holes

BNUUUN02.T04 0000222506 C.2 B.3 A.3 11/26/19, 2:51 PM Released

1. Put the bolt through the assembly.
2. Apply the threadlocker only to the bolt thread area that will engage the nut.

- Tighten the bolt to the value shown in the correct table ([Table 9: Threadlocker by the Diameter of the Bolt](#) (see below Note ), page 29 to [Table 15: Torque Values for Stainless Steel Fasteners 5/16-inch and Smaller](#), page 31 ).

**Figure 3. Apply Threadlocker in a Through Hole**



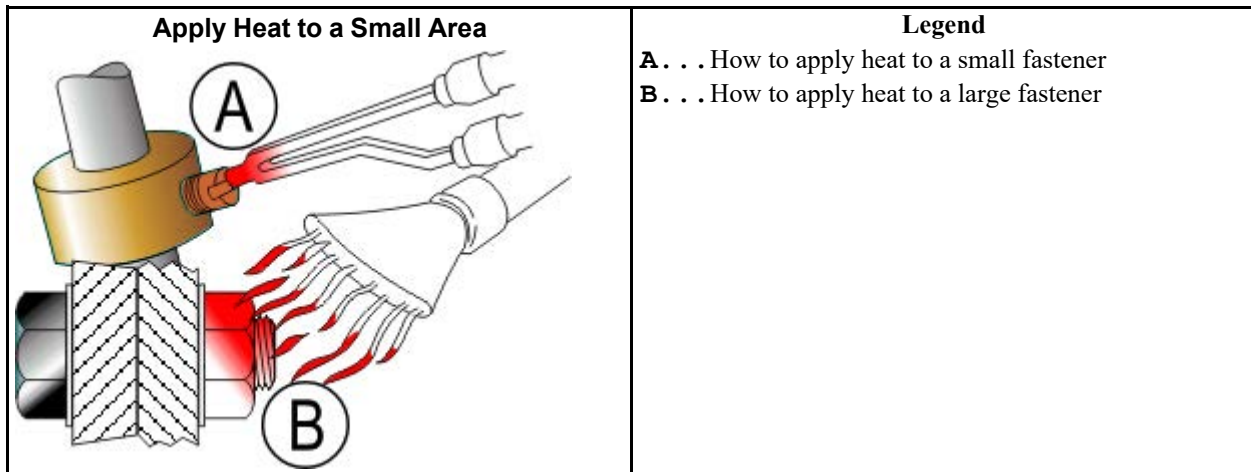
## Disassembly

BNUUUN02.C07 0000222444 C.2 B.3 A.3 11/26/19, 2:59 PM Released

For high-strength threadlocker, apply heat for five minutes. Disassemble with hand tools while the parts are hot.

For low-strength and moderate-strength threadlocker, disassemble with hand tools.

**Figure 4. Use heat for disassembly of fasteners with threadlocker.**



# 2 Important Installation Precautions

BFUUUF01 / 2019405

BNUUUF01 0000109243 C.6 3/4/21, 9:27 AM Released

## External Fuse/Breaker, Wiring, and Disconnect Requirements

BNUUUF01.C01 0000109242 C.2 C.6 A.4 1/2/20, 2:14 PM Released

An external fuse **or** circuit breaker and a disconnect switch must be provided in the facility for (and dedicated to) the machine. These may be in the same or separate, **permanently mounted** electric boxes. Electric power and ground connections will be made between the incoming power junction box on the machine and this external box (or one of the boxes).

### Fuse or Circuit Breaker Size

BNUUUF01.R01 0000109241 C.2 C.6 A.4 1/2/20, 2:14 PM Released

Refer to the “External Fuse and Wire Sizes...” document for your machine model. This document will be found in the machine's installation manual, available from the parts department. Choose the fuse or circuit breaker from the appropriate column of the table provided, as follows:

**If a fuse is used** — Match the fuse listed in the “Fuse” column for your machine's voltage. The specified fuse sizes are consistent with the USA National Electric Code (NEC), section 430-52, exception No. 2, Part B, which states: “The rating of a time-delay (dual-element) fuse shall be permitted to be increased, but shall in no case exceed 225 percent of the full-load current.”

**If a standard circuit breaker is used** — Match the amperage rating listed in the “Breaker” column for your machine's voltage.

**If an inverse time circuit breaker is used** — Match the characteristics (amperage rating) of the fuse listed in the “Fuse” column for your machine's voltage. When applied to an inverse time circuit breaker, the specified fuse sizes are consistent with the USA National Electric Code (NEC), section 430-52, exception No. 2, Part C, which states: “The rating of an inverse time circuit breaker shall be permitted to be increased, but shall in no case exceed 400 percent for full-load currents of 100 amperes or less.”

### Wire Size

BNUUUF01.R02 0000109240 C.2 C.6 A.4 1/2/20, 2:14 PM Released

Use wiring no smaller than that listed for your machine's voltage in the “Wire size...” column in the “External Fuse and Wire Sizes...” document. The table value applies to runs up to 50 feet (15 meters). Use the next larger size for runs 50 to 100 feet (15 to 30 meters). Use wire two sizes larger for runs greater than 100 feet (30 meters). If an inverse time circuit breaker is used and local codes require a larger wire size than that specified by Milnor, abide by the local code.



**NOTICE:** The specified wire size may appear too small for the fuse or circuit breaker shown. However, it is consistent with both the load imposed and with the USA National Electric Code.

## Ground

BNUUUF01.R03 0000109239 C.2 C.6 A.4 1/2/20, 2:14 PM Released

The ground wire and connections must ensure a reliable earth ground (zero potential). Use wiring of at least as large a gauge as that required for incoming power. Do not rely on conduit, machine anchorage, etc. Use the ground lug provided in the incoming power junction box on the machine.

## Disconnect Switch for Lockout/Tagout

BNUUUF01.R04 0000109238 C.2 C.6 A.5 1/2/20, 2:14 PM Released

The disconnect switch must permit personnel to disconnect and lockout/tagout electric power from the machine. In the USA, refer to OSHA standard 1910.147 “The control of hazardous energy (lockout/tagout)”. Refer to the USA National Electric Code for requirements on locating the switch. In other locales, abide by these standards if no other local codes apply.

BNUUUI01 / 2019392

BNUUUI01 0000189337 C.3 1/2/20, 2:14 PM Released

## Vital Information About the Forces Imparted to Supporting Structures by Laundering Machines

BNUUUI01.C01 0000189336 C.2 C.3 A.5 1/2/20, 2:14 PM Released

This document replaces Milnor® document BIWUUI02.

All laundering machines impart static and dynamic forces to the supporting structures (foundation and soil, floor, and building). Static forces include the machine weight plus the weight of the goods and water. Dynamic forces are those imparted by various machine movements as explained in [Section : Major Design Considerations, page 37](#). The dynamic forces imparted to supporting structures can cause vibration and noise outside of the laundry room if supporting structures are inadequate.

## Disclaimer of Responsibility

BNUUUI01.C02 0000189359 C.2 C.3 B.3 1/2/20, 2:14 PM Released

Pellerin Milnor Corporation accepts no responsibility for damage or loss as a result of:

- inadequate supporting structures
- interference with the use of the facility caused by machine operation

The facility owner/operator is solely responsible to ensure that:

- supporting structures are strong enough, with a reasonable safety factor, to safely support the operating machine or group of machines
- supporting structures are rigid enough to isolate vibrations and noise to the laundry room

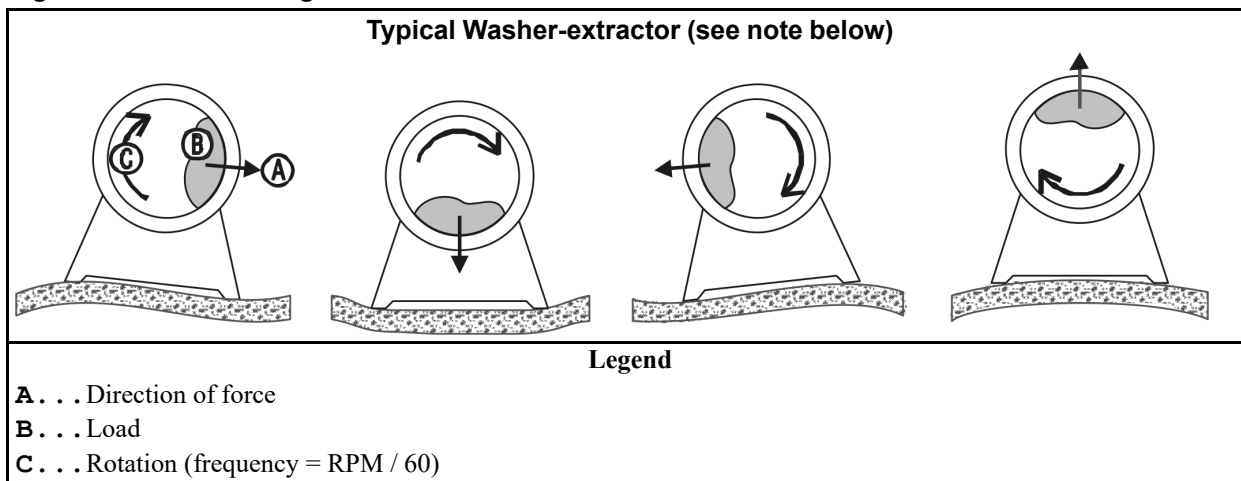
If the owner/operator does not possess the necessary expertise to ensure that the facility can safely and functionally accommodate the equipment, it will be necessary to consult the appropriate expert(s), such as a structural engineer, soils engineer, and/or architect.

## Major Design Considerations

BNUUUI01.C03 0000189358 C.2 C.3 A.5 1/2/20, 2:14 PM Released

- Vibration and/or noise can be felt or heard outside of the laundry room as a result of the following, if supporting structures are not sufficiently rigid:
  - Extraction (the spinning cylinder) in washer-extractors and centrifugal extractors, imparts sinusoidal forces to supporting structures as shown in [Figure 5: How Rotating Forces Act On the Foundation, page 38](#) . In rigid washer-extractors, these forces are up to 30 times that of suspended washer-extractors of the same capacity.
  - Extraction forces can be magnified many times if the rotation frequency matches the resonant frequency of supporting structures. To avoid this, supporting structures must have a natural resonant frequency many times greater than any possible rotation speed of the machine or combination of rotation speeds of all machines.
  - Each time goods fall in the rotating cylinder of a washer, washer-extractor, centrifugal extractor, or dryer, this can impart a force to the supporting structures.
  - The intermittent start and stop actions of large components inside the machine, particularly in a tilting washer-extractor, press-extractor, or centrifugal extractor, can impart intermittent forces to the supporting structures.
- The possibility of adverse consequences is significantly greater for upper floor installations than for installations at grade. Always consult a structural engineer for such an installation.
- The possibility of adverse consequences is significantly greater for installations at grade if subsidence causes a void between the foundation and the soil or if the soil itself does not provide adequate strength and rigidity. Some possible remedies are the addition of pilings or a deeper foundation, installed as to be monolithic with the existing foundation.
- Machine forces can cause damage to the machine or the floor without the correct anchorage.
- Applicable building codes, even when met, do not guarantee sufficient structural support and isolation of machine forces to the laundry room.

**Figure 5. How Rotating Forces Act On the Foundation**



**NOTE:** This figure applies to both rigid and suspended washer-extractors and to both at-grade and upper floor installations.

## Primary Information Sources

BNUUUI01.C04 0000189357 C.2 C.3 A.5 1/2/20, 2:14 PM Released

Milnor® provides, or can provide the following information of use to engineers and architects, for the given machine model:

- The machine dimensional drawing, found in the installation manual, specifies the machine’s required anchorage.
- The Milnor® Service Department can provide static and dynamic load values and frequency (extract speed) values on request.



**NOTICE:** All data is subject to change without notice and may have changed since last printed. It is the responsibility of the potential owner/operator to obtain written confirmation that any data furnished by Milnor® applies for the model number(s) and serial number(s) of the purchased machine(s).

BIWUUI03 / 2019296

BNUUUR02 0000160550 E.3 1/2/20, 2:14 PM Released

## Prevent Damage from Chemical Supplies and Chemical Systems

BNUUUR02.C01 0000160549 C.2 E.3 B.3 1/2/20, 2:14 PM Released

All Milnor® washer-extractors and CBW® tunnel washers use stainless steel with the ANSI 304 specification. This material gives good performance when chemical supplies are correctly applied. If chemical supplies are incorrectly applied, this material can be damaged. The damage can be very bad and it can occur quickly.

Chemical supply companies usually:

- supply chemical pump systems that put the supplies in the machine,



- connect the chemical pump system to the machine,
- write wash formulas that control the chemical concentrations.

The company that does these procedures must make sure that these procedures do not cause damage. **Pellerin Milnor Corporation accepts no responsibility for chemical damage to the machines it makes or to the goods in a machine.**

## How Chemical Supplies Can Cause Damage

BNUUUR02.R01 0000160548 C.2 E.3 B.5 10/1/21, 11:24 AM Released

**Dangerous Chemical Supplies and Wash Formulas** — Some examples that can cause damage are:

- a very high concentration of chlorine bleach,
- a mixture of acid sour and hypo chlorite,
- chemical supplies (examples: chlorine bleach, hydrofluosilicic acid) that stay on the stainless steel because they are not quickly flushed with water.

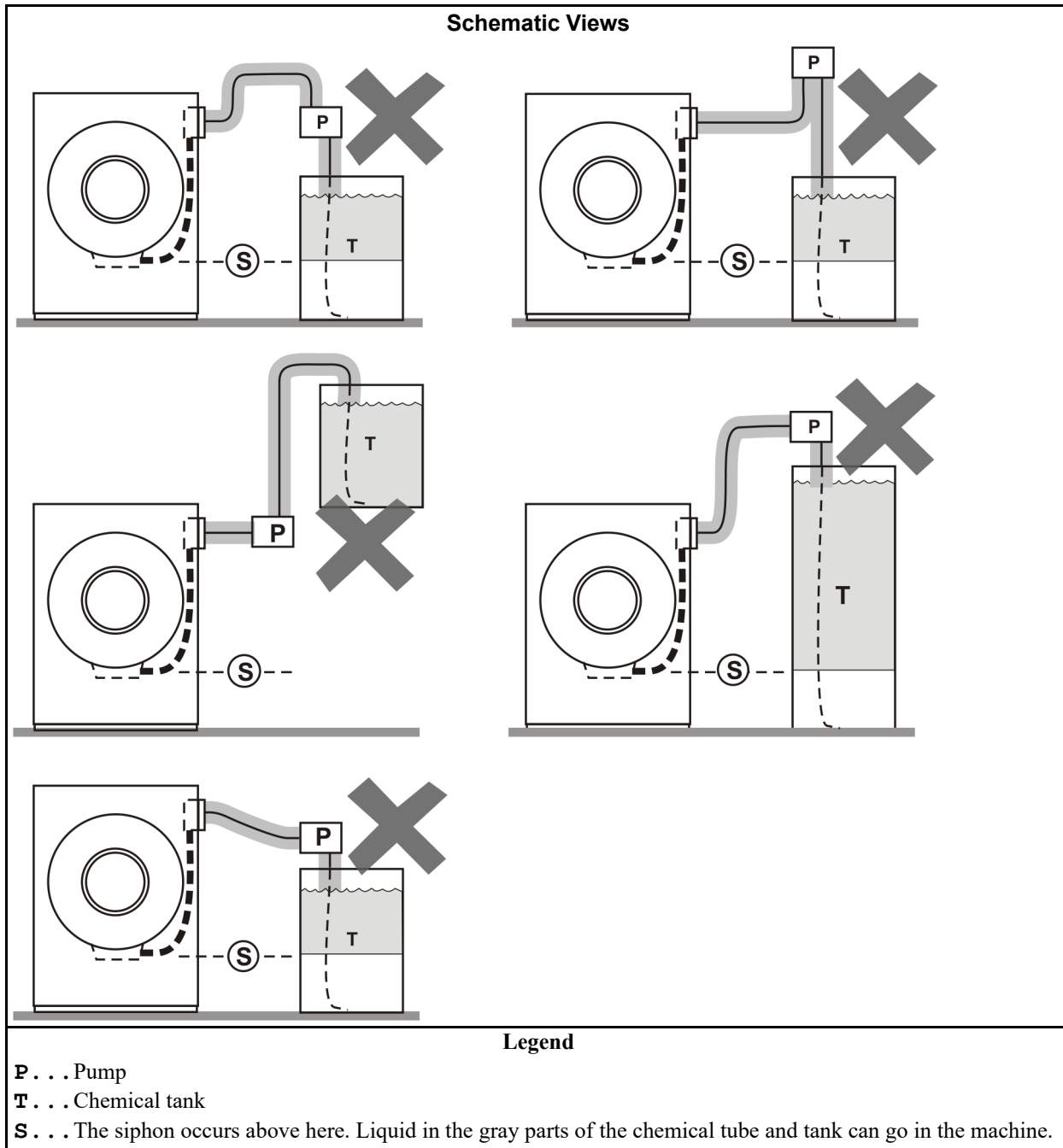
The book “Textile Laundering Technology” by Charles L. Riggs gives data about correct chemical supplies and formulas.

**Incorrect Configuration or Connection of Equipment** — Many chemical systems:

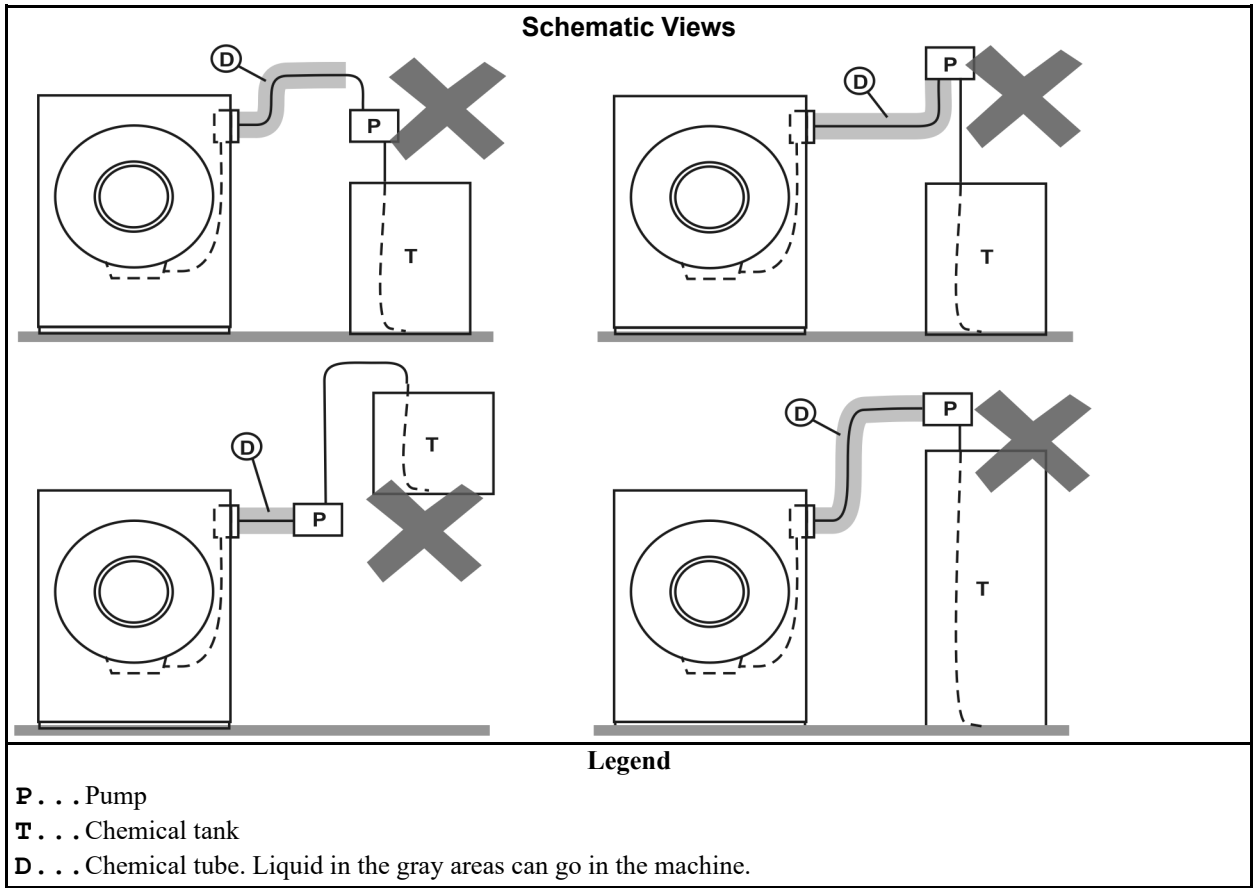
- do not prevent a vacuum in the chemical tube (for example, with a vacuum breaker) when the pump is off,
- do not prevent flow (for example, with a valve) where the chemical tube goes in the machine.

Damage will occur if a chemical supply can go in the machine when the chemical system is off. Some configurations of components can let the chemical supplies go in the machine by a siphon ([Figure 6, page 40](#)). Some can let chemical supplies go in the machine by gravity ([Figure 7, page 41](#)).

**Figure 6. Incorrect Configurations That Let the Chemical Supply Go In the Machine by a Siphon**



**Figure 7. Incorrect Configurations That Let the Chemical Supply Go In the Machine by Gravity**

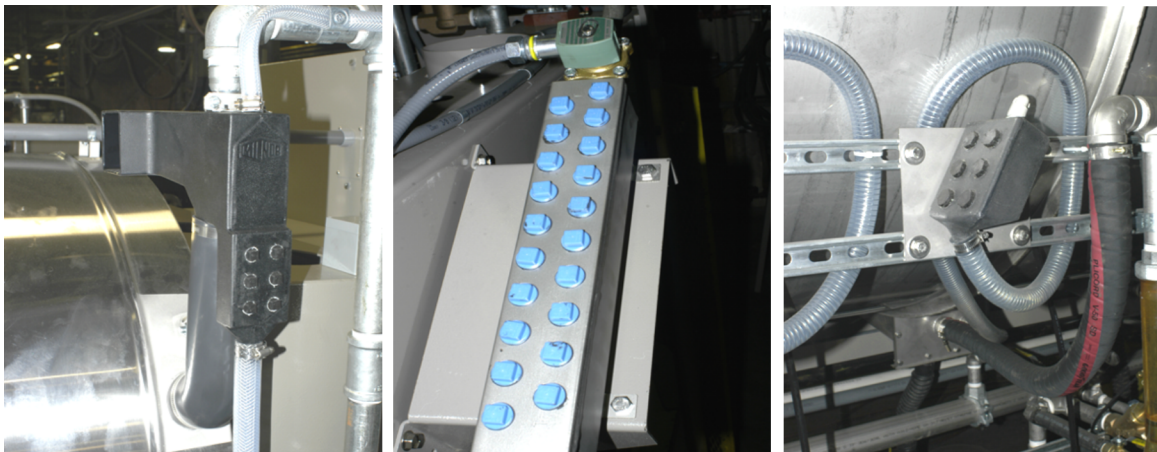


## Equipment and Procedures That Can Prevent Damage

BNUUUR02.R02 0000160545 C.2 E.3 B.3 1/2/20, 2:14 PM Released

**Use the chemical manifold supplied.** — There is a manifold on the machine to attach chemical tubes from a chemical pump system. The manifold has a source of water to flush the chemical supplies with water.

**Figure 8. Examples of Manifolds for Chemical Tubes. Your equipment can look different.**



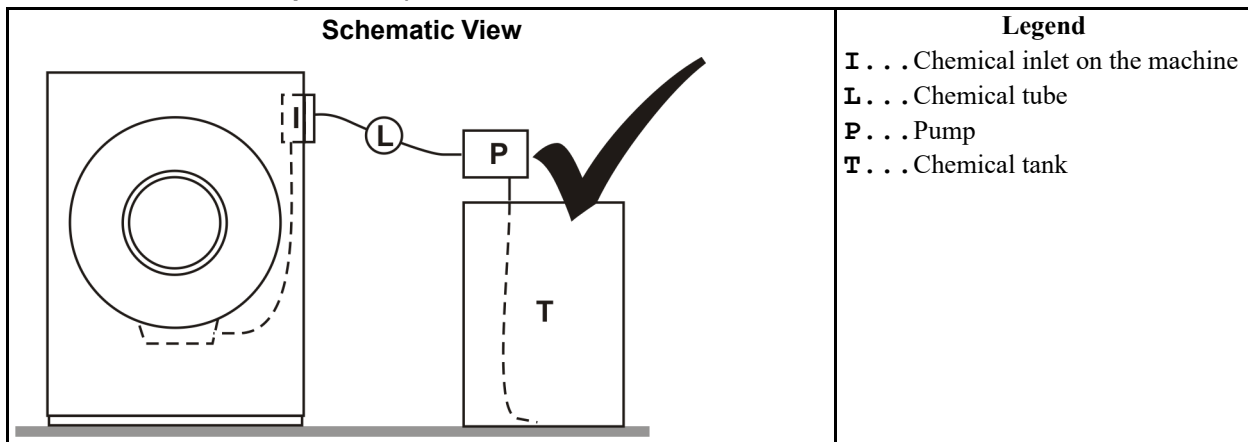
**Close the line.** — If the pump does not always close the line when it is off, use a shutoff valve to do this.

**Do not let a vacuum occur.** — Supply a vacuum breaker in the chemical line that is higher than the full level of the tank.

**Flush the chemical tube with water.** — If the liquid that stays in the tube between the pump and the machine can flow in the machine, flush the tube with water after the pump stops.

**Put the chemical tube fully below the inlet.** — It is also necessary that there is no pressure in the chemical tube or tank when the system is off.

**Figure 9. A Configuration that Prevents Flow in the Machine When the Pump is Off (if the chemical tube and tank have no pressure)**



**Prevent leaks.** — When you do maintenance on the chemical pump system:

- Use the correct components.
- Make sure that all connections are the correct fit.
- Make sure that all connections are tight.

# 3 Installation Procedures

BNWUUI03 / 2019426

BNWUUI03 0000254788 B.7 1/2/20, 2:19 PM Released

## Handling a Washer-extractor from Delivery to Final Location

BNWUUI03.C01 0000254787 C.2 B.7 C.5 1/2/20, 2:19 PM Released

This document supersedes documents BIIFLI01, BIRUUI01, MSIN0206AE, and MSIN0301AE as of October 1, 2019. It applies to all Milnor® washer-extractor models in production as of October 1, 2019.

**owner/management** the purchaser of the machine or their representative. Usually the consignee.

**transportation company** the person(s) or contractor(s) who transports the machine to the facility where it will be installed. The carrier.

**rigger** the person(s) or contractor(s) responsible to off-load the machine from the delivery vehicle, move it to its final location, and anchor it to the foundation. This can be the dealer but is often another company hired by the dealer.

**technician** a person trained in servicing Milnor® products and responsible to remove shipping restraints. This is usually a dealer employee.

## Notices

BNWUUI03.R04 0000257899 C.2 B.7 A.4 1/2/20, 2:19 PM Released

**Qualified Personnel Only** — Do not attempt to move, anchor, or remove restraints from the machine unless you are a rigger or technician, as defined above.

**Disclaimer** — Pellerin Milnor Corporation is not responsible for damage to the machine after it leaves the factory. Pellerin Milnor Corporation strongly recommends that the consignee (usually the owner/management) carefully inspect the machine in its protective wrapping before off-loading and inspect the uncovered machine after off-loading. If damage occurred in transit, ensure that the transportation company acknowledges the damage in writing. Submit a damage claim as soon as possible.

**Other Tasks** — This document addresses common tasks that the rigger and technician will perform. Other tasks, not explained here, can be needed. Information about other tasks is usually provided by the dealer, the Milnor® Applications Engineering department, or the Milnor® Service department. Examples are:

- Placement of the machine on a platform, such as for laundry cart clearance or to accommodate unusual drain conditions.
- Partial disassembly and reassembly, possible on some models, for movement through small spaces.

## Facility Prerequisites

BNWUUI03.R01 0000254786 C.2 B.7 B.4 1/2/20, 2:19 PM Released

Required Condition	Supporting Information
structural support	See document BNUUUI01 “Vital Information About the Forces Imparted to Supporting Structures by Laundering Machines” which can be found in the installation manual and also at <a href="https://milnor.sharefile.com/d-s8408ba617d244d98">https://milnor.sharefile.com/d-s8408ba617d244d98</a> .
protected storage	If the machine must be stored temporarily, it must be protected from dampness and excessive temperatures.
access to the final location	See the machine dimensional drawing, which can be found at the end of the installation manual, for overall dimensions. Partial disassembly is sometimes possible. Contact the Milnor® Service department.
clearances for machine movement and maintenance	See the dimensional drawing.
operational clearances	Adequate clearance around controls and for movement of laundry equipment such as carts. See the dimensional drawing.
available utilities	See the dimensional drawing and the external fuse and wire document.
available drain(s)	See the dimensional drawing. The drain valve(s) must have unrestricted access to a drain trough of sufficient capacity in the foundation.
laundry room ventilation	The machine will contribute heat and vapors to the laundry room, which must provide adequate ventilation.

## Rigger Precautions

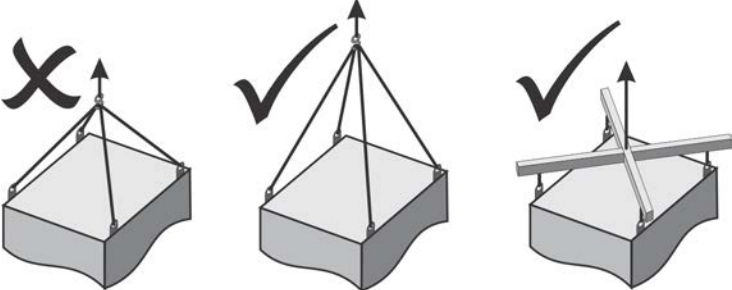
BNWUUI03.R02 0000254785 C.2 B.7 B.6 1/2/20, 2:19 PM Released

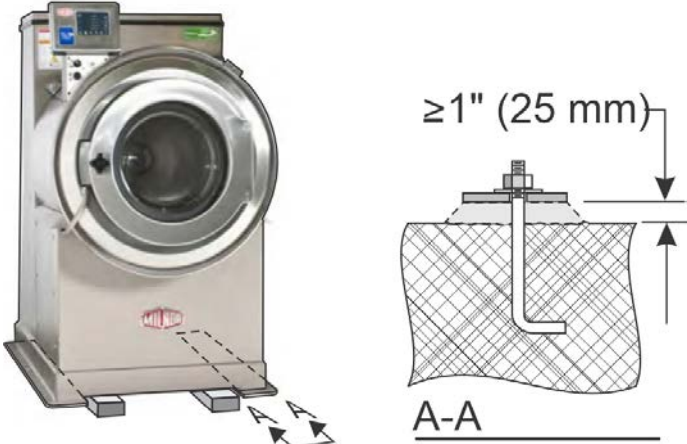


**CAUTION: Incorrect rigging** — can cause mishaps and costly machine damage.



- ▶ Know and accommodate the machine shipping weight.
- ▶ Use only lifting eyes for crane lifting.
- ▶ Use long cables or a spreader bar for crane lifting.
- ▶ Leave the machine skidded as long as possible.
- ▶ Protect fragile or sensitive machine components.
- ▶ Prepare the foundation and install anchor bolts correctly.
- ▶ Set the machine at the correct height and level.
- ▶ Apply machinery grout evenly so that support is distributed.
- ▶ Tighten anchors alternately so that the hold-down force is distributed.

Precaution	Explanation
Know and accommodate the machine shipping weight.	Use lifting and moving equipment appropriate for the machine shipping weight, as shown on the Bill of Lading. To obtain the shipping weight in advance, contact the Milnor® Transportation department.
Use only lifting eyes for crane lifting.	Machines designed for crane lifting are provided with lifting eyes either on the structural frame or on the shell, hidden behind cosmetic panels.
Use long cables or a spreader bar for crane lifting.	
Leave the machine skidded as long as possible.	If the machine is skidded, leave the machine on the skids until the machine is as close as possible to its final location. Use care to avoid contact between the fork lift forks and fragile machine components on the un-skidded machine.
Protect fragile or sensitive machine components.	After the machine is uncovered, carefully find and read all tags on the outside of the machine. White and manila paper tags are installation precautions. See the Installation Tag Guidelines in the installation manual for additional information.
Prepare the foundation and install anchor bolts correctly.	Anchor bolt sizes and locations are shown on the dimensional drawing in the back of the installation manual. However, Milnor® recommends to use the actual machine as a template to accurately locate where the anchor bolts are to be installed in the foundation. See the anchor bolt detail on the dimensional drawing. It is not permissible to omit anchor bolts.

Precaution	Explanation
<p>Set the machine at the correct height and level.</p>	<p>Use blocking to get the machine base level and the base pads a minimum of 1" (25 mm) above the floor. Example:</p> 
<p>Apply machinery grout evenly so that support is distributed.</p>	<p>Fill all voids between the foundation and each base pad with industrial strength, non-shrinking grout. Allow the grout to fully cure per the grout instructions.</p>
<p>Tighten anchors alternately so that the hold-down force is distributed.</p>	<p>Raise the machine slightly and remove the wood blocking. Install a flat washer and nut on each anchor bolt and tighten incrementally in an alternating pattern. After tightening, check each anchor at least twice.</p>

## Technician Precautions

BNWUUI03.R03 0000257735 C.2 B.7 A.5 1/2/20, 2:19 PM Released

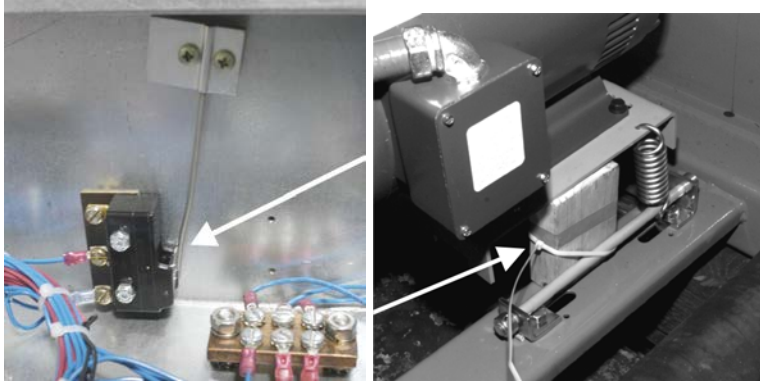
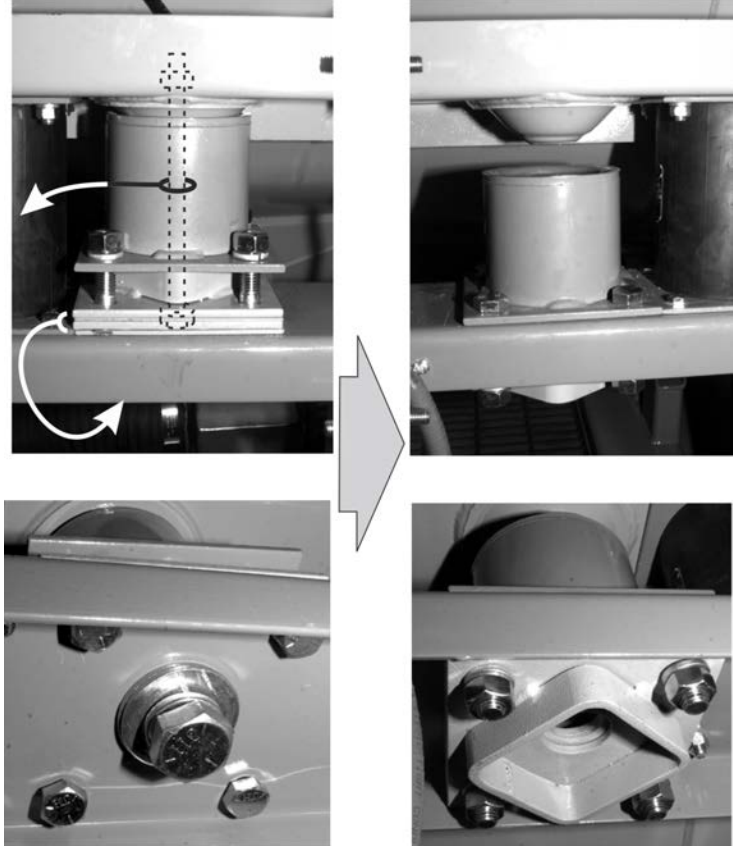


**CAUTION:** Overlooked or mishandled shipping restraints — can cause costly machine damage.



- ▶ Leave all internal shipping restraints in place until the machine is anchored.
- ▶ Check for and remove shipping tie wraps.
- ▶ Check for and remove suspension hold-down hardware, if applicable.
- ▶ Check for and remove red shipping brackets, if applicable.
- ▶ See the “Cylinder inspection” warning and inspect the cylinder for smoothness.



Precaution	Explanation
<p>Leave all internal shipping restraints in place until the machine is anchored.</p>	<p>The machine can have one or more internal shipping restraints to help protect components from damage until the machine is anchored. These are located inside the housing or inside electric cabinets.</p>
<p>Check for and remove shipping tie wraps.</p>	<p>Examples (varies with machine model):</p> 
<p>Check for and remove suspension hold-down hardware, if applicable.</p>	<p>See also the service manual. Example:</p> 
<p>Check for and remove red shipping brackets, if applicable.</p>	<p>Shipping brackets are painted red. See the shipping brackets parts document in the service manual.</p>

Precaution	Explanation
See the “Cylinder inspection” warning and inspect the cylinder for smoothness.	Inspect the cylinder and perforations for smoothness. <b>Pellerin Milnor Corporation cannot accept cylinder finish damage claims after the machine has been placed in service.</b> Machines are shipped with the shell door(s) closed. See the section below for information on how to open the shell door(s).

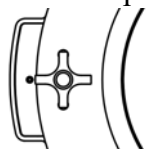



**WARNING:** **Cylinder inspection** — can trap you in the cylinder or seriously injure you.



- ▶ Never enter, or place body parts in the cylinder when power is supplied to the machine.
- ▶ If the machine is connected to power, lockout/tag-out power at the external disconnect switch.
- ▶ mechanically restrain the cylinder from turning.
- ▶ Have an assistant present in case of emergency.

**Can the Door(s) Be Opened Before Utilities are Connected?** — The shell doors on all Milnor® washer-extractors in current production, except for the side-loading, barrier models, have one of two types of door latch: electric-operated or air operated.

Door Type	How To Open
Electric-operated: 	The machine leaves the factory with the door latched closed but not locked. Turn the door knob to open the door even when the machine does not have power. If the door will not open, the door lock mechanism moved to the locked position due to shaking in transit. In this event, wait until the machine is connected to electric power and use the controls to open the door.
Air-operated: 	The machine leaves the factory with the door(s) closed and locked (with the door plunger extended). It is possible to temporarily replace the air line that retracts the door plunger with a source of compressed air to open the door when no other utilities are connected. Otherwise, wait until utilities are connected to the machine and use the controls to open the door.

## Connection Precautions for Washer-extractors

BNWUUI04.C01 0000255071 C.2 B.2 8/2/21, 10:05 AM Released

This document supersedes documents BNWBUI01, BNWBUI02, BNWBUI03, BNWBUI04, BIRQVI01, BIMUUI02, and BIIFUI01. It applies to all Milnor® washer-extractor models in production as of October 1, 2019.

**plumber** the person(s) or contractor licensed or otherwise accepted by the local jurisdiction to perform the plumbing work described herein, and qualified to do so.

**electrician** the person(s) or contractor licensed or otherwise accepted by the local jurisdiction to perform the electrical work described herein, and qualified to do so.

**chemical supplier** the person(s) or contractor with detailed knowledge of 1) the machine controller configuration and operation, and 2) the pumped chemical delivery system, if such a system is to be used.

## Notices

BNWUUI04.R03 0000255231 C.2 A.7 1/2/20, 2:19 PM Released

**Qualified Personnel Only** — Do not attempt to connect utilities to the machine unless you are a plumber, electrician, or chemical supplier, as defined above.

**Machine Must Be Anchored** — Utility connections are to be made only after the machine has been anchored. See BNWUUI03 “Handling a Washer-extractor from Delivery to Final Location.”

**Other Tasks** — This document and the documents it references address common tasks that the plumber, electrician, and chemical supplier will perform. Other tasks, not explained here, can be needed. Information about these tasks is usually provided by the dealer, the Milnor® Applications Engineering department, or the Milnor® Service department. An example is electrical interfacing with a remote Mildata® data collection system.

## Utility Requirements and Related Information

BNWUUI04.R05 0000255583 C.2 A.12 1/2/20, 2:19 PM Released

Type of Information	Value or Where to Find
equipment list showing model and options purchased	For the dealer, see the order acknowledgement.
plumbing connection fitting types, sizes, and locations	See the standard and options dimensional drawings for your model located at the back of the installation manual.
water pressure range	10 – 75 psi (69 – 531 kPa) required
Cv value	See the specification sheet for your model available online at: <a href="https://www.milnor.com/specification-sheets/">https://www.milnor.com/specification-sheets/</a> . The Cv value assists the piping designer in determining flow rates and pressures.
steam pressure range	30 – 115 psi (207 – 793 kPa) required, if applicable
compressed air pressure range	85 – 110 psi (586 – 758 kPa) required, if applicable
specified voltage	See the machine nameplate or the order acknowledgement.

Type of Information	Value or Where to Find
available voltages for this model	See the specification sheet for your model available online at: <a href="https://www.milnor.com/specification-sheets/">https://www.milnor.com/specification-sheets/</a> .
multi-machine conditions that can interrupt utility service to a given machine	See dealer publication B22SL94011 “Sizing and Planning a Laundry” found online at: <a href="https://www.milnor.com/wp-content/uploads/2016/01/Sizing-and-Planning-a-Laundry_18323.pdf">https://www.milnor.com/wp-content/uploads/2016/01/Sizing-and-Planning-a-Laundry_18323.pdf</a>
approved plumbing materials	Plumbing materials must comply with applicable codes. The Milnor® factory makes no recommendations for inlet connection materials due to the many variables such as water conditions, materials cost and availability, and ongoing advances in materials technology. When drains must be piped, as apposed to a simple air drop to a sump, rubber hose and PVC are often used.

## Plumber Precautions

BNWUUI04.R01 0000255070 C.2 A.9 1/2/20, 2:19 PM Released



**CAUTION:** Machine damage and code violations — can occur as a result of incorrect plumbing.



- ▶ Confirm the reliability of the piped utilities.
- ▶ Maintain connection point diameter.
- ▶ Flush fluid lines.
- ▶ Do not twist valve bodies.
- ▶ Never interchange water valve electrical connections.
- ▶ Install any vacuum breaker(s) provided or required.
- ▶ Install any water strainer(s) provided or required.
- ▶ Install a union and a shutoff valve at each hard piped connection.
- ▶ Connect a dry supply injector flush inlet to hot water and regulate it.

Precaution	Explanation
Confirm the reliability of the piped utilities.	Water and any other piped fluids (steam, compressed air) needed by the machine must be within the specified pressure range and not prone to frequent interruptions when the machine operates. See <a href="#">Section : Utility Requirements and Related Information, page 49</a> .
Maintain connection point diameter.	The piping between the utility tap and the fitting on the machine must be as large or larger than the fitting. Drain piping or tubing, if any, must provide an unrestricted flow to the sump.
Flush fluid lines.	Foreign material such as debris in air lines, trapped air in water lines, and condensate in steam lines can damage machine components.
Do not twist valve bodies.	Hold a wrench on the valve side of a pipe connection to prevent the valve from twisting when you tighten the connection.

Precaution	Explanation
Never interchange water valve electrical connections.	On machines with air-operated water valves, it is permissible to exchange the pneumatic control lines, if the cold and hot connections were accidentally plumbed in reverse.
Install any vacuum breaker(s) provided or required.	If vacuum (siphon) breaker(s) are provided for fresh water connection (s), but not already installed, install them as shown on the options dimensional drawing. If vacuum breakers are required by code, but not provided, obtain and install the required hardware.
Install any water strainers provided or required.	If water strainer(s) are provided for fresh water connections, install them between the machine and incoming water. For machines with garden hose type water inlets, use 40-mesh strainers.
Install a union and a shutoff valve at each hard-piped connection.	Obtain and install the necessary hardware to permit hard-piped connections to be shut off and disconnected at the machine for maintenance. For the valve, use a ball valve, not, for example, a globe valve.
Connect a dry supply injector flush inlet to hot water and regulate it.	If the machine has a dry supply injector with an external flush water connection and hot water is available, provide hot water to this inlet. The machine will be supplied with a pressure regulator. Install this hardware at the flush water connection and confirm that the regulator is set to 28 psi (193 kPa). Steam in the hot water line will cause the supply injector to malfunction.

## Electrician Precautions

BNWUUI04.R02 0000255232 C.2 A.7 1/2/20, 2:19 PM Released



**CAUTION:** Machine damage, machine malfunctions, and code violations — can occur as a result of incorrect electrical connections.



- ▶ Know the machine electrical specifications.
- ▶ Comply with the published external fuse and wire requirements.
- ▶ Confirm the reliability of the electric service.
- ▶ Confirm the machine is phased in correctly.
- ▶ Confirm the correct line voltage setting on a selectable 240/208 volt machine.
- ▶ Attach the stinger leg, if any, only to L3.

Precaution	Explanation
Know the machine electrical specifications.	Refer to the nameplate affixed to the machine.
Comply with the published external fuse and wire requirements.	These requirements are given in document BGUUUF01 “External Fuse/Breaker, Wiring, and Disconnect Requirements” and the external fuse and wire document for your machine. These documents are found at the back of the installation manual. BGUUUF01 is also available at: <a href="https://milnor.sharefile.com/d-s5e1bad2885a447e8">https://milnor.sharefile.com/d-s5e1bad2885a447e8</a>
Confirm the reliability of the electric service.	Voltage fluctuations of more than 10% above or below the specified voltage can damage electrical components, especially motors. The Milnor® factory strongly recommends that unreliable electric service is improved before the machine is put in use.
Confirm the machine is phased in correctly.	An installation tag on the machine shows the correct cylinder rotation at distribution (drain) or extract speed. If the cylinder turns in the wrong direction, reverse the wires connected to L1 and L2. Never move L3. Individual motors were phased in at the factory. Never reconnect individual motors or motor control devices.
Confirm the correct line voltage setting on a selectable 240/208 volt machine.	This precaution applies only if the nameplate voltage says 208/240V. It does not, for example, apply if the nameplate says 208V <b>or</b> 240V. The switch is near the incoming power transformer and must be in the position that matches the service voltage: 240 VAC or 208 VAC.
Attach the stinger leg, if any, only to terminal L3.	Never attach a stinger leg to terminal L1 or terminal L2.

## Chemical Supplier Precautions

BNWUUI04.R04 0000255482 C.2 A.5 1/2/20, 2:19 PM Released

**Injury and severe machine damage** — can occur as a result of incorrect chemical system installation.

- ▶ Understand and comply with the published connection precautions.
- ▶ Understand the machine controller.

Precaution	Explanation
Understand and comply with the published connection precautions.	The connection precautions are given in document BIWUUI03 “Prevent Damage from Chemical Supplies and Chemical Systems” in the installation manual. BIWUUI03 is also available at: <a href="https://milnor.sharefile.com/d-s79f12e8f11f42a9b">https://milnor.sharefile.com/d-s79f12e8f11f42a9b</a>
Understand the machine controller.	The machine controller is explained in detail in the reference manual for your machine, which is available from the Milnor® Parts department.

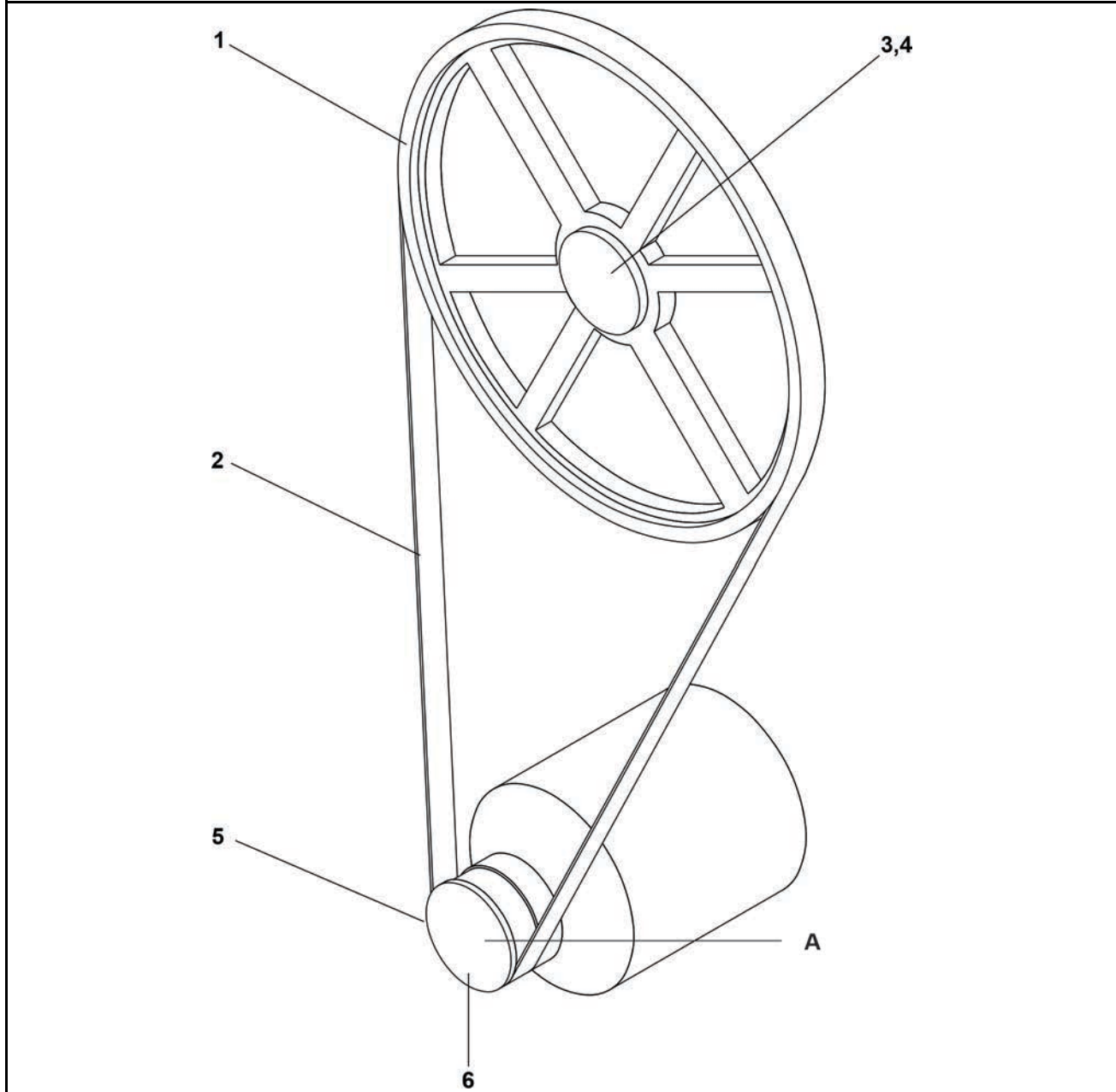
# 4 Drive Assemblies

### Drive Chart

3 Sheets

MCR12E5, MCR16E5, MCR18E4, MWR12E/X/J5, MWR16E/X/J5, MWR18E/X4, MWR18J6, MCT12E5, MCT16E5, MCT18E4, AND MWT12E/X/J5, MWT16E/X/J5, MWT18E/X4, MWT18J6

Figure 10. Drive Components



**Legend**

A. . . See [Figure 11, page 55](#) and detail A for “How to Tighten the Pulley Bushing Against the Motor Shaft.”

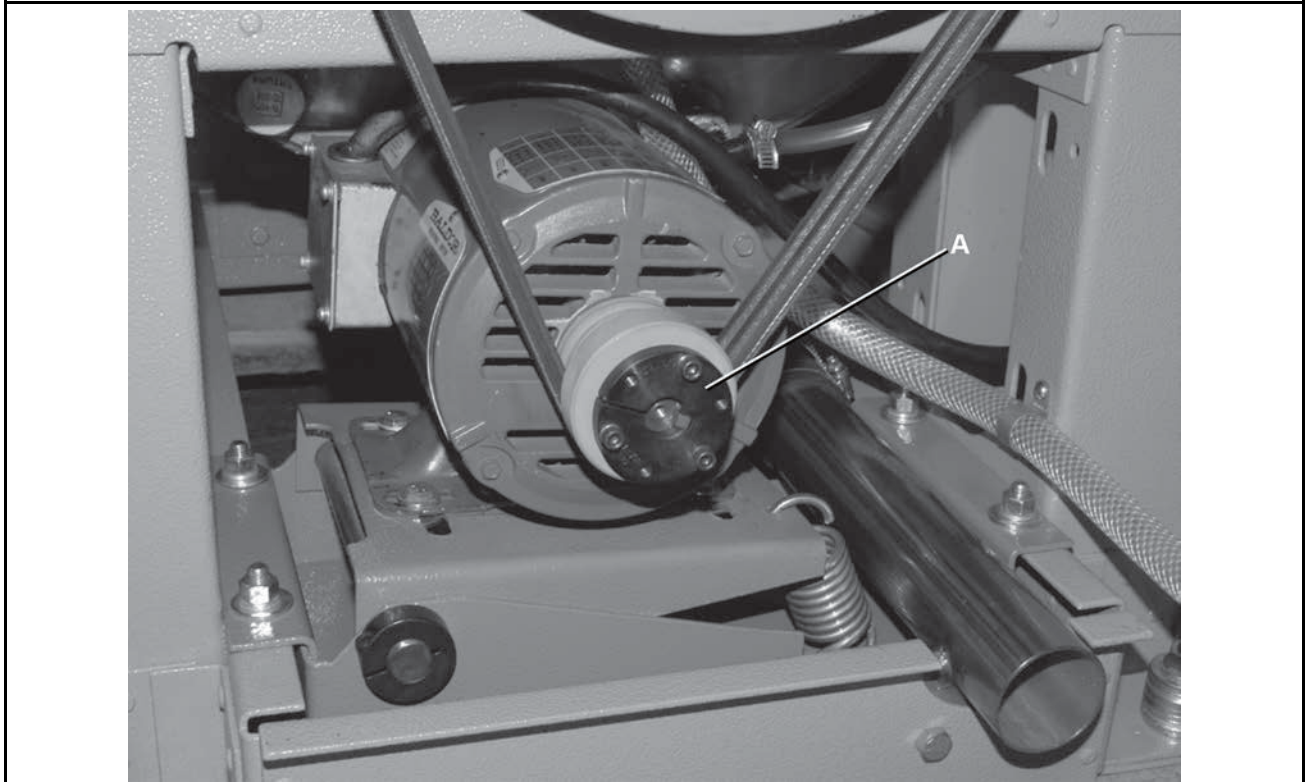


## Drive Chart

3 Sheets

MCR12E5, MCR16E5, MCR18E4, MWR12E/X/J5, MWR16E/X/J5, MWR18E/X4, MWR18J6, MCT12E5, MCT16E5, MCT18E4, AND MWT12E/X/J5, MWT16E/X/J5, MWT18E/X4, MWT18J6

**Figure 11. How to Tighten the Pulley Bushing Against the Motor Shaft**



### How to Tighten the Pulley Bushing Against the Motor Shaft

It is necessary to use both bolt torque and careful hammer blows with a brass or rubber hammer to fully tighten the motor pulley bushing. When the pulley and bushing are installed on the motor shaft and aligned with the main drive pulley, tighten the motor bushing as follows:

**S1** . . Tighten the bushing bolts alternately and evenly until all bolts are at the torque specified for the bushing.



**CAUTION:** In the following step, use a brass or rubber hammer only and avoid applying hammer blows close to the outside diameter of the bushing (Detail A, location 4). As you work, observe the face of the bushing on either side of the split. The two sides must remain flush.

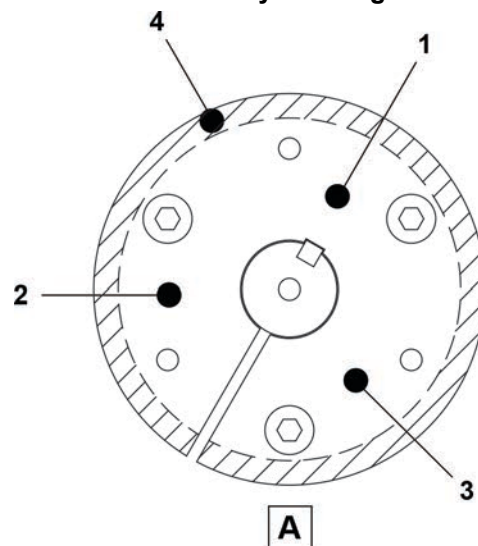
**S2** . . Carefully apply hammer blows to the face of the bushing—first at location 1 (opposite the bushing split), then at location 2, then at location 3.

**S3** . . Repeat steps 1 and 2 until the specified torque no longer turns the bushing bolts.

### Legend

**A** . . . Motor Pulley Bushing

### Motor Pulley Bushing



**Drive Chart**

MCR12E5, MCR16E5, MCR18E4, MWR12E/X/J5, MWR16E/X/J5, MWR18E/X4, MWR18J6, MCT12E5, MCT16E5, MCT18E4, AND MWT12E/X/J5, MWT16E/X/J5, MWT18E/X4, MWT18J6

**Table 17. Parts List—Drive Chart**

Find the assembly for your machine and the letter shown in the "Item" column. The components for your machine will show this letter or the word "all" in the "Used In" column. The numbers shown in the "Item" column are those shown in the illustrations.				
Used In	Item	Part Number	Description/Nomenclature	Comments
Reference Assemblies				
	A	D33 03760	DRIVE CHART MCR09E5	MCR12E5, MWR12E5 MCT12E5, MWT12E5
	B	D33 03960	DRIVE CHART MCR16/MWR16	MCR16E5, MWR16E5 MCT16E5, MWT16E5
	C	D33 03660	DRIVE CHART MCR18E4	MCR18E4, MWR18E4 MCT18E4, MWT18E4 MWR18X4, MWR18J4 MWT18X4, MWT18J4
Components				
AB	1	98CMCR0917	VPAUL TB BUSHING SPZ 355X2	
C	1	98CMCR1817	VPAUL TB BUSHING SPZ 500X2	
A	2	98CMCR0909	SINGLE DRIVE BELT SPZ1362LW	
B	2	98CMCR1609	SINGLE DRIVE BELT SPZ1340 (MBL)	
C	2	98CMCR1809	SINGLE DRIVE BELT SPZ1937LW	
AB	3	98CMCR0918	BUSH TB TYP 2012X38, BSW7/16"	
C	3	98CMCR1818	BUSH TB TYPE 2517X38, BSW7/16"	
all	4	98CMCR0919	KEY 10*8*60 - 15E230CM	
AB	5	98CMCR0920	VPAUL TB BUSHING SPZ 56X2	
C	5	98CMCR1820	VPAUL TB BUSHING SPZ 67X2	
A	6	98CMCR0921	BUSH TB TYP 1108X19, BSW1/4" S	
B	6	98CMCR1621	BUSH TB TYP 1108X24, BSW1/4"	
C	6	98CMCR1821	BUSH TB TYP 1108X28, BSW1/4"	

This page intentionally blank

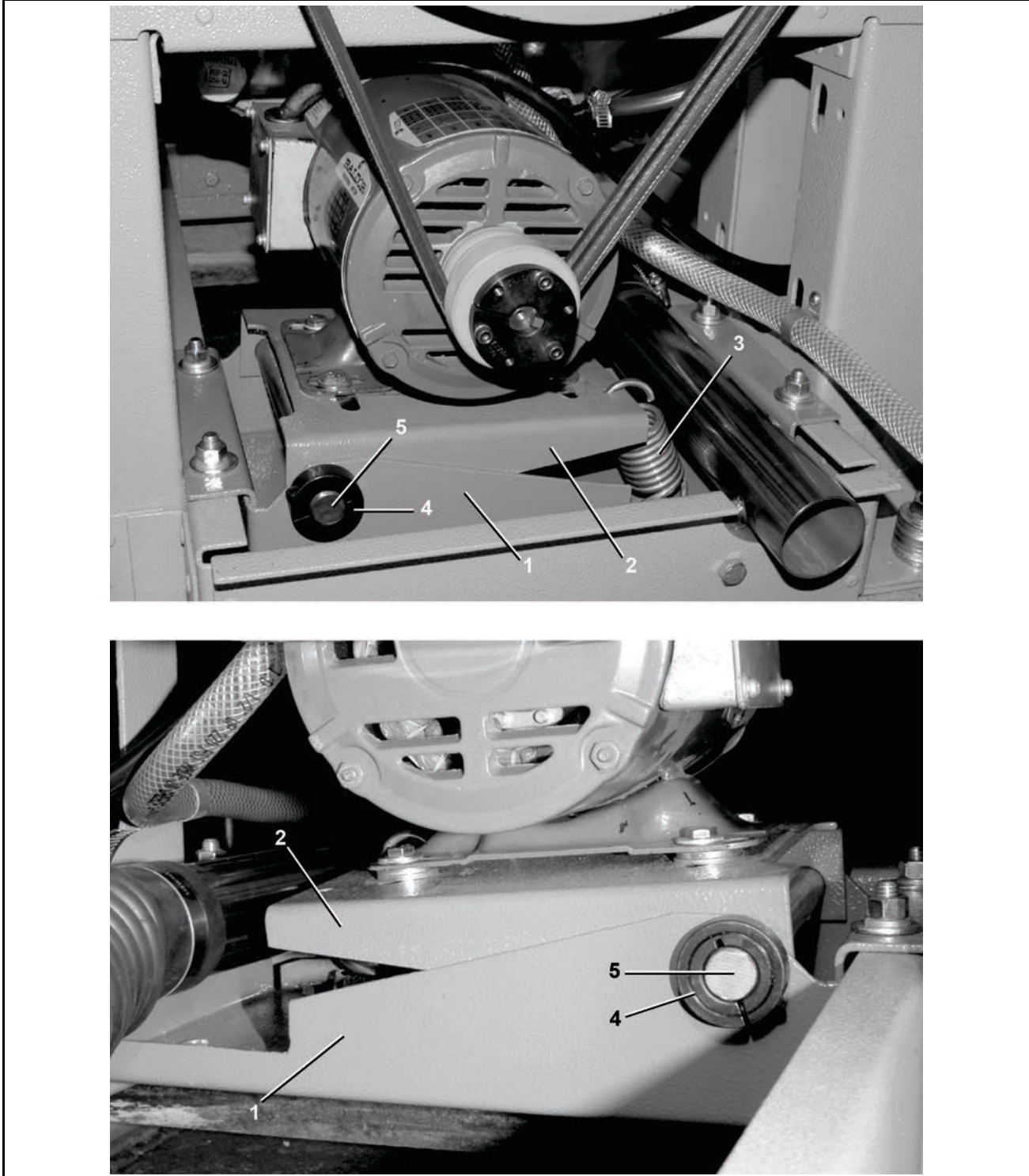
BPWCAI02 / 2022396A

BPWCAI02.1 0000401901 C.2 B.3 9/23/22, 7:48 AM Released

### Motor Mount

2 Sheets

MCR12E56, MCR16E5, MCR18E4, MWR12E/X/J5, MWR16E/X/J5, MWR18E/X4, MWR18J6, MCT12E5, MCT16E5, MCT18E4, AND MWT12E/X/J5, MWT16E/X/J5, MWT18E/X4, MWT18J6



# Motor Mount

2 Sheets

MCR12E56, MCR16E5, MCR18E4, MWR12E/X/J5, MWR16E/X/J5, MWR18E/X4, MWR18J6, MCT12E5, MCT16E5, MCT18E4, AND MWT12E/X/J5, MWT16E/X/J5, MWT18E/X4, MWT18J6

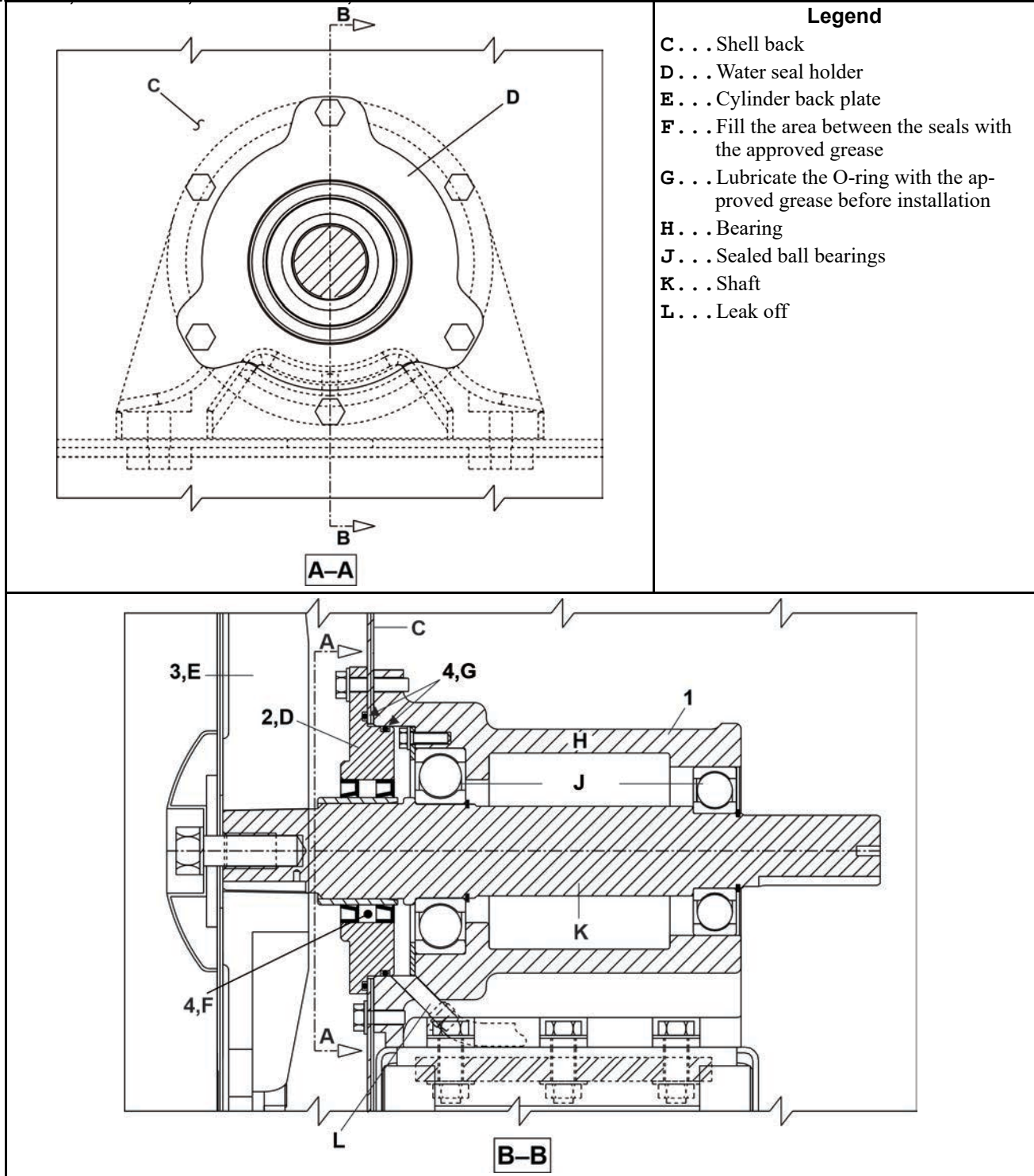
**Table 18. Parts List—Motor Mount**

Find the assembly for your machine and the letter shown in the "Item" column. The components for your machine will show this letter or the word "all" in the "Used In" column. The numbers shown in the "Item" column are those shown in the illustrations.				
Used In	Item	Part Number	Description/Nomenclature	Comments
Reference Assemblies				
	A	ADB575X347	2314 MOTOR MT ASSY	MCR12E5, MWR12E5, MCT12E5
	B	ADB2318001	MOTOR MT ASSY 2318	MWT12E5, MCR16E5, MWR16E5, MCT16E5, MWT16E5
	C	ADB700X468	MOTOR MT ASSY 18KG	MCR18E4, MWR18E4, MCT18E4, MWT18E4, MWR18X4, MWR18J4, MWT18X4, MWT18J4
Components				
A	1	03 40026	CSX MOTOR MOUNT SUB PLATE	
B	1	03 40126	CSX MOTOR MOUNT SUB PLATE 2318	
C	1	03 40226	CSX MOTOR MOUNT RAIL 18KG	
AB	2	98CMCR0951	MCR 09 MOTOR MOUNT	
C	2	03 40226B	CSX MOTOR MOUNT 18KG	
all	3	98CMCR0952	SPRING/MOTO MOUNT MCR	
all	4	98CMCR0923	SHFTCOLLAR 3/4"CLPTYP	
AB	5	98CMCR0922	ROD=PIVOT MTR MT MCR09	
C	5	03 40226C	CSX ROD PIVOT MTR MT 18KG	

# Bearing Assembly & Installation

2 Sheets

MCR12E5, MCR16E5, MCR18E4, MWR12E/X/J5, MWR16E/X/J5, MWR18E/X4, MCT12E5, MCT16E5, MCT18E4, MWT12E/X/J5, AND MWT16E/X/J5, MWT18E/X4



## Bearing Assembly & Installation

2 Sheets

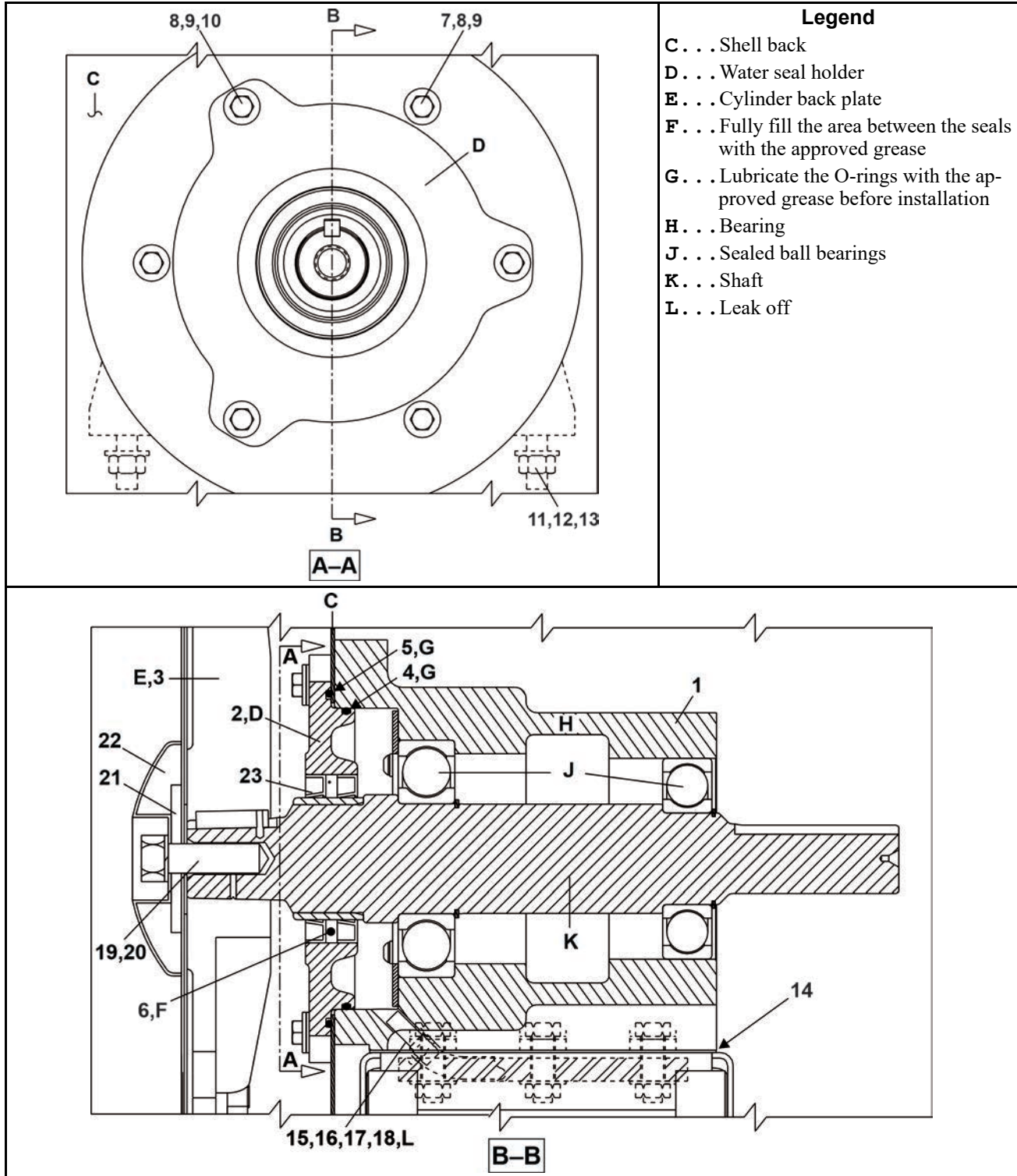
MCR12E5, MCR16E5, MCR18E4, MWR12E/X/J5, MWR16E/X/J5, MWR18E/X4, MCT12E5, MCT16E5, MCT18E4, MWT12E/X/J5, AND MWT16E/X/J5, MWT18E/X4

**Table 19. Parts List—Bearing Assembly & Installation**

Find the assembly for your machine and the letter shown in the "Item" column. The components for your machine will show this letter or the word "all" in the "Used In" column. The numbers shown in the "Item" column are those shown in the illustrations.				
Used In	Item	Part Number	Description/Nomenclature	Comments
	A			MCR/MWR12
	B			MCT/MWT12
				MCR/MWR16
				MCT/MWT16
	C			MCR/MWR18
				MCT/MWT18
Components				
AB	1	98CMCR0907	MCR09/18 BEARING HOUSE ASSY	
B	1	98CMCR1606	MCRWR16 BEARING HOUSE ASSY	
	2	98CMCR0916	MCR9/18 WATER SEAL HOLDER ASSY	
A	3	ACA2314CYL	CYLINDER ASSY 575X347	
B	3	ACA2318CYL	CYLINDER ASSY 2318	
C	3	ACA2818CYL	CYLINDER ASSY WELDED 2818	
	4	20H012A	GADUS S2 V220 EA=1 TUBE	

# Bearing Assembly and Installation

MWR18X6, MWR18J6, MWT18X6, MWT18J6





## Bearing Assembly and Installation

2 Sheets

MWR18X6, MWR18J6, MWT18X6, MWT18J6

**Table 20. Parts List—Bearing Assembly and Installation**

Find the assembly for your machine and the letter shown in the "Item" column. The components for your machine will show this letter or the word "all" in the "Used In" column. The numbers shown in the "Item" column are those shown in the illustrations.				
Used In	Item	Part Number	Description/Nomenclature	Comments
Components				
all	1	98CMCR1807	MWR18J6 BEARING HOUSE ASSY	MWT18XJ6
all	2	98CMCR2702	ASSY=CSM WTR SEAL HOLDER, 2825-LS	MWT18XJ6
all	3	ACA18HCL	CYLINDER ASSY, 2818 MG	MWT18XJ6
all	4	60C160J	ORING 6+1/4ID1/8CS BUNA70 #259	PART OF ITEM 2
all	5	60C166B	ORING 7.00ID1/8CS BUNA70 #262	PART OF ITEM 2
all	6	20H012A	GADUS S2 V220 EA=1 TUBE	
all	7	15K052M	HEXCAPSCR M8*25 STAINLESS	
all	8	15U200S	FLATWASHER US STD 5/16 SS18-8	
all	9	24G027N	ROLLED WASH.312ID NYLTITE 31W	
all	10	15K071M	HEXCAPSCR M8*35 STAINLESS	
all	11	15K191M	HEXCAPSCR M12*55 GR10.9 CS	
all	12	15G230M	HEXNUT M12 GRADE 10.9 CS	
all	13	15U317B	FLWASH,1.062ODX.531IDX.115 TH	
all	14	02 04505	3010 BEARING HOUSE SHIM	
all	15	5N0E02KG42	NPT NIP 1/4X2.5 TBEGALSTL SK40	
all	16	51E507	HOSESTEM BRASS 1/4MPX1/2HOSEID	
all	17	60E006C	PVC TUBING NYL.REINF.5IDX.75OD	
all	18	27A040	HOSECLAMP 7/16-25/32SS W/SCREW	
all	19	15B200M	HEXCAPSCR M20-2.5 X 40M 18-8	
all	20	15U350M	LOCKWASHER M20 18-8S/S	
all	21	98CMCR0950	SHAFT RETNR SPACER METRIC	
all	22	98CMCR0949	COVER SHAFT RETAINER METRIC	
all	23	24S053	SEAL 2.625X3.625X.437#10051L5	PART OF ITEM 2

# 5 Door Assemblies

BNWUUI05 / 2021465

BNWUUI05 0000327776 B.2 11/11/21, 11:34 AM Released

## Servicing the Door to Open it with Power Off or with a Malfunctioning Door Lock

BNWUUI05.C01 0000327775 C.2 B.2 A.2 12/8/20, 10:09 AM Released



**NOTE:** This document supersedes document MSSM0288AE and applies to all washer-extractors with four-spoke door handles, including 30022Hxx, MCRxxxxx models. The photographs in this document show the older style bare metal door handles but the instructions apply, as well, to newer machines with black, coated handles.

The door is designed to lock as soon as the machine starts a wash cycle. If electrical power to the machine is interrupted during the washing cycle, or if the door interlock mechanism fails to unlock, the door can be opened by **qualified, service personnel** by removing the door handle and a few related components. These components must be properly reinstalled for safe operation.



**WARNING: Entangle and Crush Hazards** — Contact with moving components normally isolated by guards, covers, and panels, can entangle and crush your limbs. These components move automatically.



- ▶ Service the machine only if qualified and authorized.
- ▶ Lock out and tag out power at the main machine disconnect before reaching into the cylinder.



**DANGER: Amputation hazard** — If the door interlock mechanism does not function properly, an operator may be able to open the door and reach into the machine during operation. Goods in the rotating cylinder can wrap around a person's arm and twist it off.



- ▶ Verify proper door lock function during machine operation, before returning the machine to normal service.

## Disassembly

BNWUUI05.C02 0000327774 C.2 B.2 A.1 12/7/20, 10:45 AM Released

### Removing the Handle and Opening the Door

BNWUUI05.T01 0000327773 C.2 B.2 A.2 12/8/20, 10:09 AM Released

The handle is held in place on the shaft with a thrust washer and retaining clip in front of the handle and a flange bearing and retaining clip behind the handle. The amount of turning force the handle can exert on the shaft is adjustable with the four set screws, springs and steel balls—one within each spoke of the handle. The steel balls seat into depressions in the shaft. When properly adjusted, the set screws will apply sufficient spring tension so that the handle will reliably operate

the latch, but the handle will ratchet if turned counterclockwise or if too much turning force is applied.

Remove the handle from the shaft as follows:

1. Gently pry the black plastic cap from the center of the handle with a small screwdriver.
2. Attempt to ratchet the handle by turning it counterclockwise by hand. If this is not possible, the springs have too much tension applied. Back off on the four set screws just enough for the handle to ratchet. Typically this happens when the set screws are flush with the surface of the handle spoke as is the case in [Figure 12: Door Handle Spoke Set Screw, page 65](#) .
3. Repeat the following sub-steps four times to remove all set screws, springs, and steel balls:
  - a. Remove the set screw from the topmost handle spoke.
  - b. Hold a finger over the hole, then, while keeping your finger on the hole, ratchet the handle counterclockwise until the hole is pointing down.
  - c. Hold one hand or a cup under the handle to catch the contents, then remove your finger, allowing the spring and ball to fall out, as in [Figure 13: Handle Spoke Spring and Ball, page 65](#) . Shake the handle if necessary, to work the components free.

**Figure 12. Door Handle Spoke Set Screw**



**Figure 13. Handle Spoke Spring and Ball**



4. Remove the front retaining clip and thrust washer ([Figure 14: Front Retaining Clip and Thrust Washer, page 66](#) ), then pull the handle off of the shaft.
5. Normally, the flange bearing will come off with the handle, but if not, remove it as shown in [Figure 15: Rear Flange Bearing \(being removed\) and Retaining Clip \(arrow\), page 66](#) . Remove the rear retaining clip. Push against the door to release the retaining clip.

**Figure 14. Front Retaining Clip and Thrust Washer**



**Figure 15. Rear Flange Bearing (being removed) and Retaining Clip (arrow)**



**NOTICE:** Risk of component damage—The *return* spring is located around the shaft, between the door and the shaft cam. The end of the spring is inserted into a small hole in the shaft cam. The spring can stretch and be damaged if it does not separate from the shaft cam.

- Be prepared to work the end of the spring out of the hole in the shaft cam as the door is opened.
6. Slowly open the door. Allow the door latch shaft, which is still captive within the door lock mechanism, to slide out of the door. Watch to be sure the return spring separates from the shaft cam and remains with the door, as shown in [Figure 16: Return Spring After Separation from Shaft Cam, page 66](#) .

**Figure 16. Return Spring After Separation from Shaft Cam**



## Removing the Door Latch Shaft from the Door Lock Mechanism

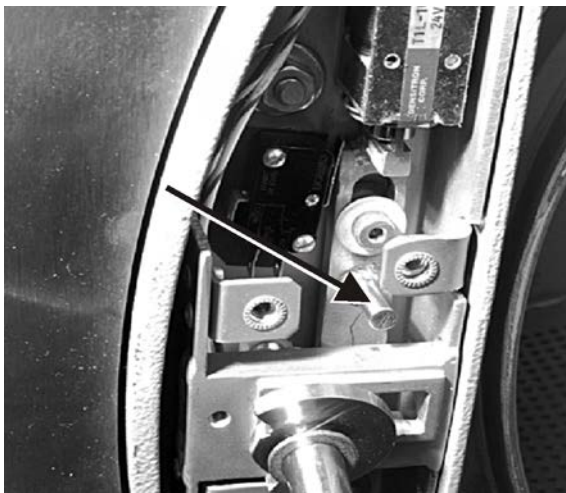
BNWUUI05.T02 0000327788 C.2 B.2 A.2 12/8/20, 10:09 AM Released



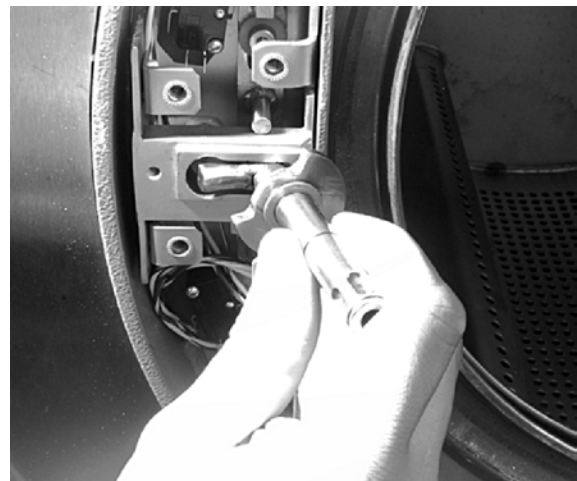
**TIP:** It is easier and more reliable to remove the shaft from the door lock mechanism then to attempt to reinsert the shaft into the door and replace the handle while the shaft is still captive in the door lock.

1. Remove the cover (not shown) from the door lock mechanism (Figure 17: Door Lock Slider Pin in the Door Lock Mechanism, page 67 ).
2. Using a screwdriver, push down the door lock slider pin (Figure 17, page 67 ) and rotate the shaft (Figure 18: Removing the Shaft from the Lock Mechanism, page 67 ) counterclockwise to remove it from the lock mechanism.

**Figure 17. Door Lock Slider Pin in the Door Lock Mechanism**



**Figure 18. Removing the Shaft from the Lock Mechanism**



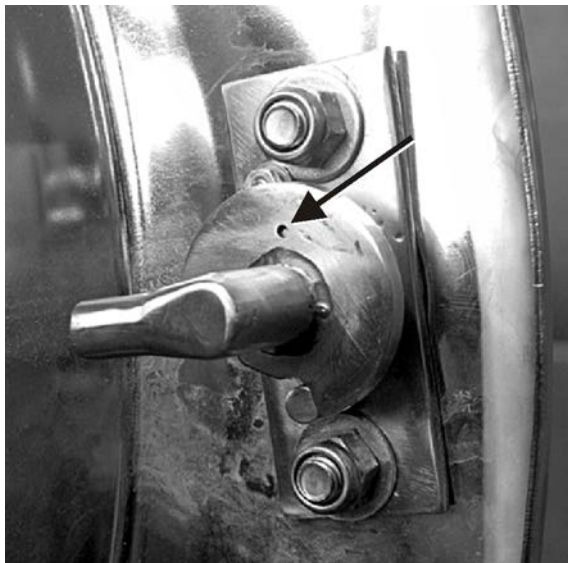
## Reinstalling the Shaft and Door Handle

BNWUUI05.T03 0000327831 C.2 B.2 A.2 12/8/20, 10:09 AM Released

Once the goods have been removed from the machine and any malfunction of the door lock mechanism, such as a burned out coil or mechanical interference, has been identified and repaired, reinstall the components as follows:

1. Install the cover on the door lock mechanism.
2. Insert the shaft into the open door and seat the end of the return spring into retaining hole in door shaft cam (Figure 19: Shaft in the 9 o'clock Position Showing Spring Retaining Hole, page 68 and Figure 20: Shaft with Return Spring Installed, page 68 ).

**Figure 19. Shaft in the 9 o'clock Position Showing Spring Retaining Hole**



**Figure 20. Shaft with Return Spring Installed**

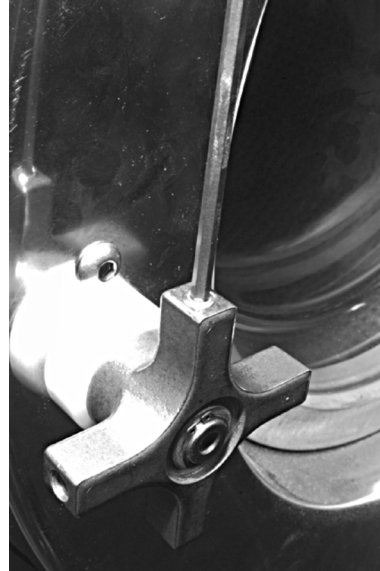


3. Looking at the rear of the door, rotate the shaft counterclockwise about 90 degrees, until the shaft fully seats into the door. When properly seated, the shaft finger (the latch) will align with the key way on the door lock mechanism.
4. Install the rear retaining clip on the shaft.
5. Slide the door handle and flange bearing onto the shaft.
6. Install the front thrust bearing and retaining clip on the shaft.
7. Repeat the following sub-steps four times—once for each ball, spring, and set screw: ([Figure 21: Inserting Ball and Spring in Handle Spoke, page 69](#) and [Figure 22: Adjusting Set Screw, page 69](#)):
  - a. Drop the ball into the hole of door handle top spoke, followed by the spring, as shown in [Figure 21, page 69](#).
  - b. Install the set screw. As previously stated, the handle should ratchet if more turning force than necessary is applied or if turned counterclockwise. Tighten the set screw until the set screw is flush with the handle. This will provide roughly the correct spring tension.
  - c. Rotate door handle counterclockwise 90 degrees to ratchet it to the next position (with the next spoke on top).

**Figure 21. Inserting Ball and Spring in Handle Spoke**



**Figure 22. Adjusting Set Screw**



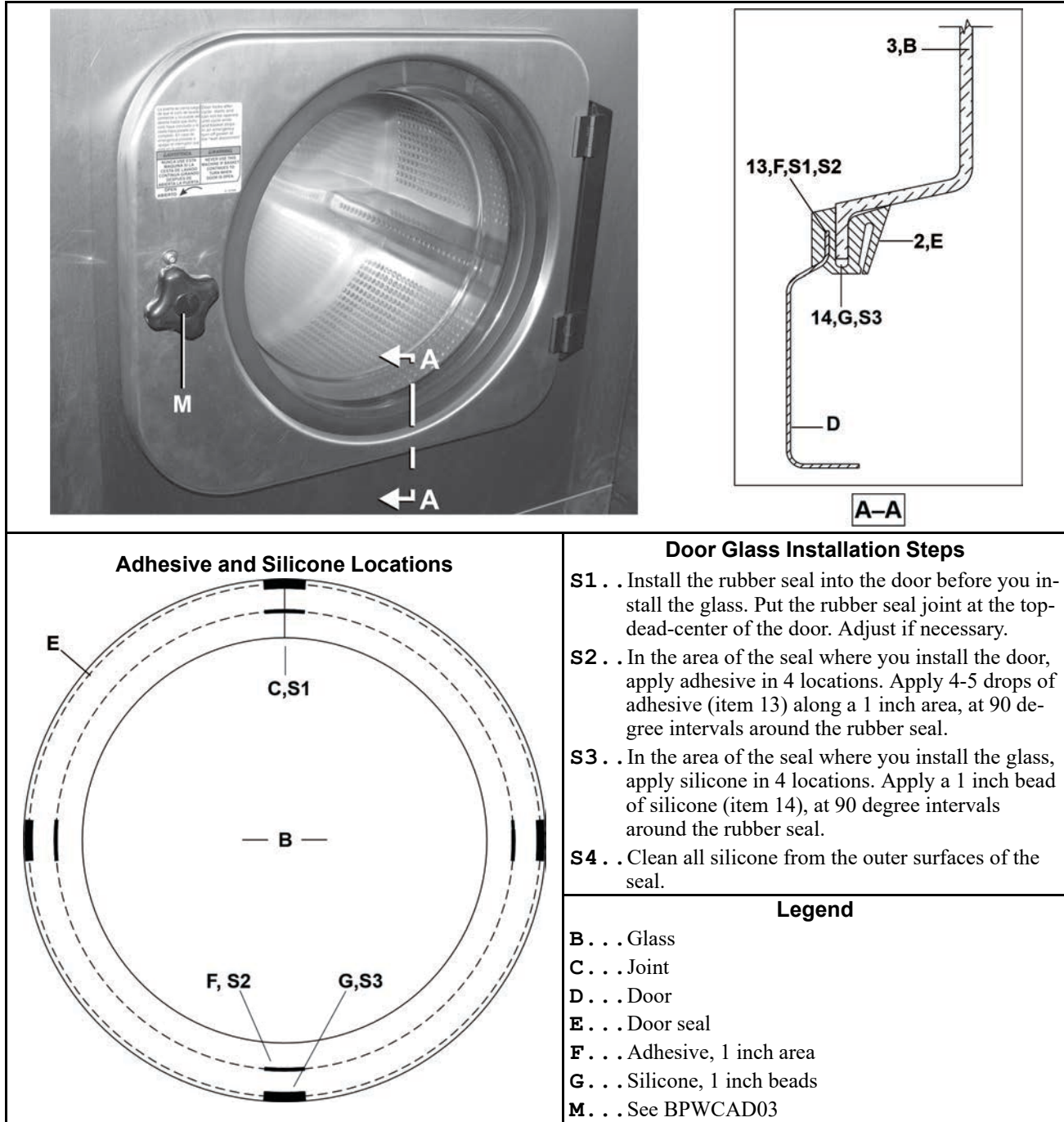
8. When all four set screws are in place, check to be sure the handle will ratchet if turned counterclockwise, or if latched with more force than necessary. Make 1/4 turn adjustments to all four set screws if necessary to achieve the proper tension.
9. Install the black plastic cap over the center of the handle.

**Door Installation**

6 Sheets

MCR12E5, MCR16E5, MCR18E4, MWR12E5, MWR16E5, MWR18E4, MWR18X4, MWR18J4

**Figure 23. Door Glass Installation**





## Door Installation

6 Sheets

MCR12E5, MCR16E5, MCR18E4, MWR12E5, MWR16E5, MWR18E4, MWR18X4, MWR18J4

**Figure 24. Check for Proper Door Seal**



### Legend

**H** . . . Chalk ring

**J** . . . Shell front outer lip

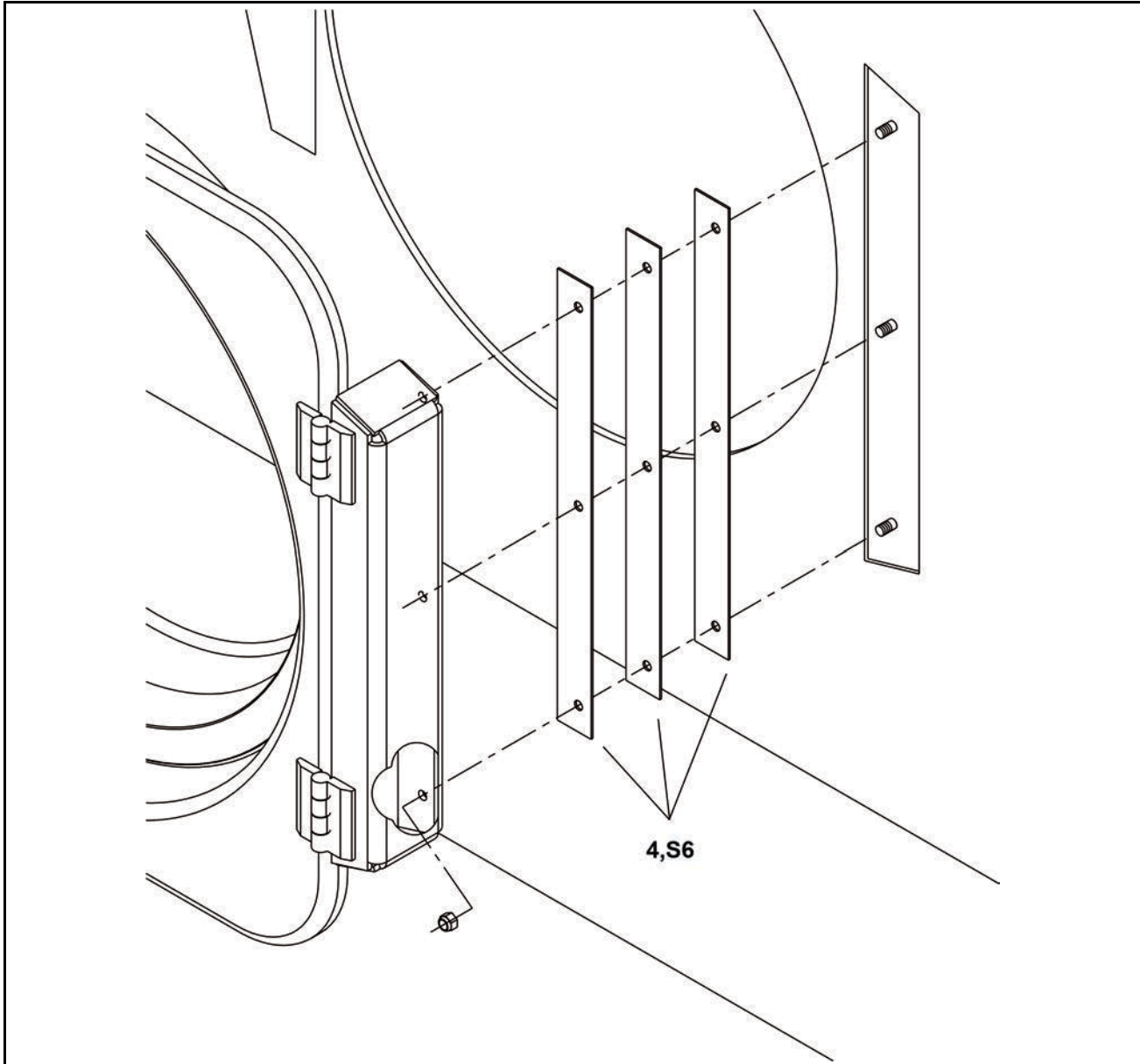
**S5** . . After changing the door seal, check for proper seal. Apply chalk around the outer lip of the shell front. Press the door closed to make a chalk impression on the seal. Shim the outer door bracket, hinges, and the door latch until the chalk impression is 360 degrees around the seal. See details.

## Door Installation

6 Sheets

MCR12E5, MCR16E5, MCR18E4, MWR12E5, MWR16E5, MWR18E4, MWR18X4, MWR18J4

Figure 25. Detail: Door Bracket Shims



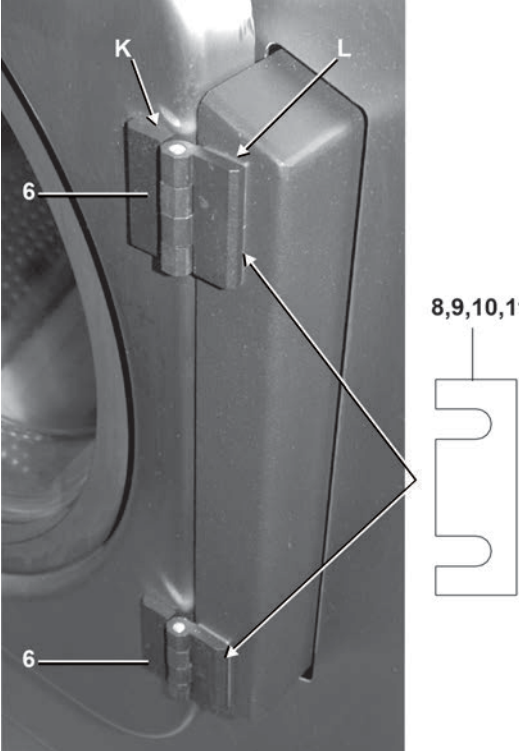
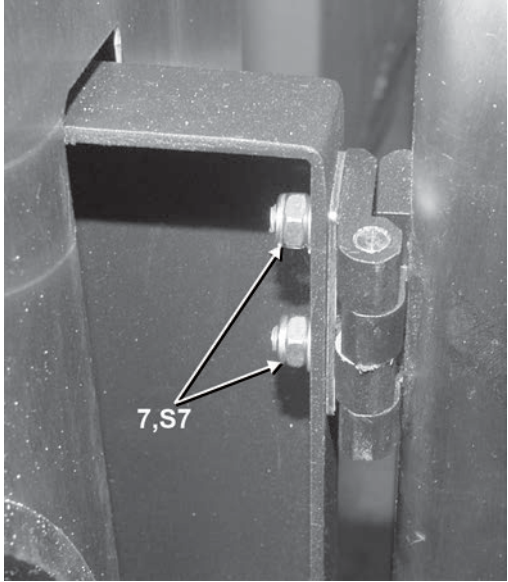
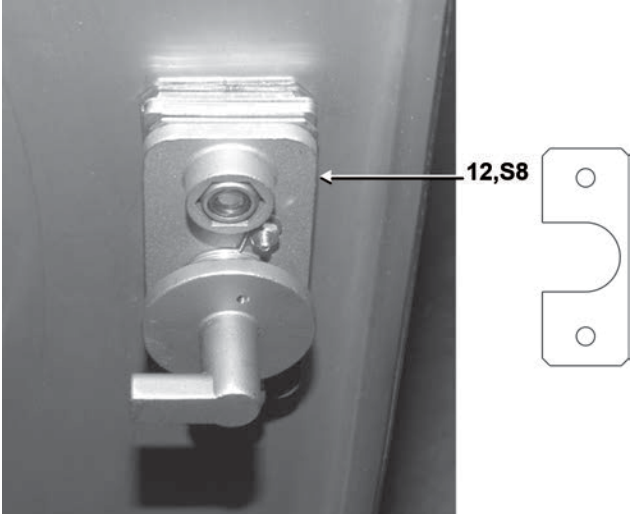
**S6** . . Add shims to the outer door bracket, first. Use 2-3 shims, if necessary. Then, add shims to the door hinges.

# Door Installation

6 Sheets

MCR12E5, MCR16E5, MCR18E4, MWR12E5, MWR16E5, MWR18E4, MWR18X4, MWR18J4

**Figure 26. Details: Hinge and Latch Shims**

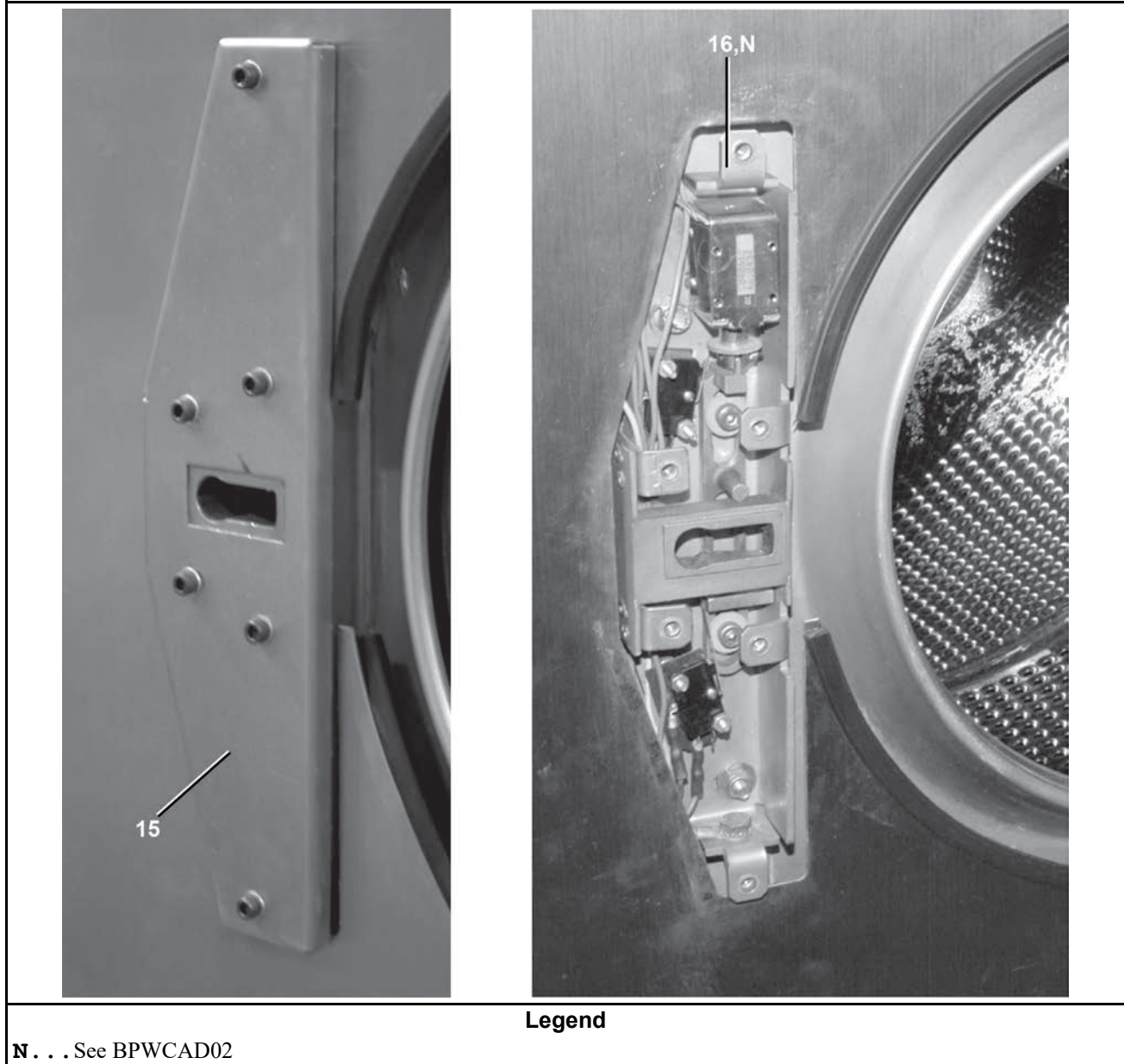
<p style="text-align: center;"><b>Hinge Shims</b></p> 	<p style="text-align: center;"><b>Hinge Shims</b></p> 
<p style="text-align: center;"><b>Legend</b></p> <p><b>K</b> . . . Add shims here to make the door tighter.</p> <p><b>L</b> . . . Add shims here to make the door looser.</p> <p><b>S7</b> . . Remove the nuts from the top hinge. Loosen the hinge and put one shim only, of the shims supplied in the kit. Try the thickest shim first. Do the same for the lower hinge.</p> <p><b>S8</b> . . Shim the door latch, if necessary, until it turns and locks easily without force.</p>	<p style="text-align: center;"><b>Door Latch Shims</b></p> 

## Door Installation

6 Sheets

MCR12E5, MCR16E5, MCR18E4, MWR12E5, MWR16E5, MWR18E4, MWR18X4, MWR18J4

Figure 27. Door Lock



## Door Installation

6 Sheets

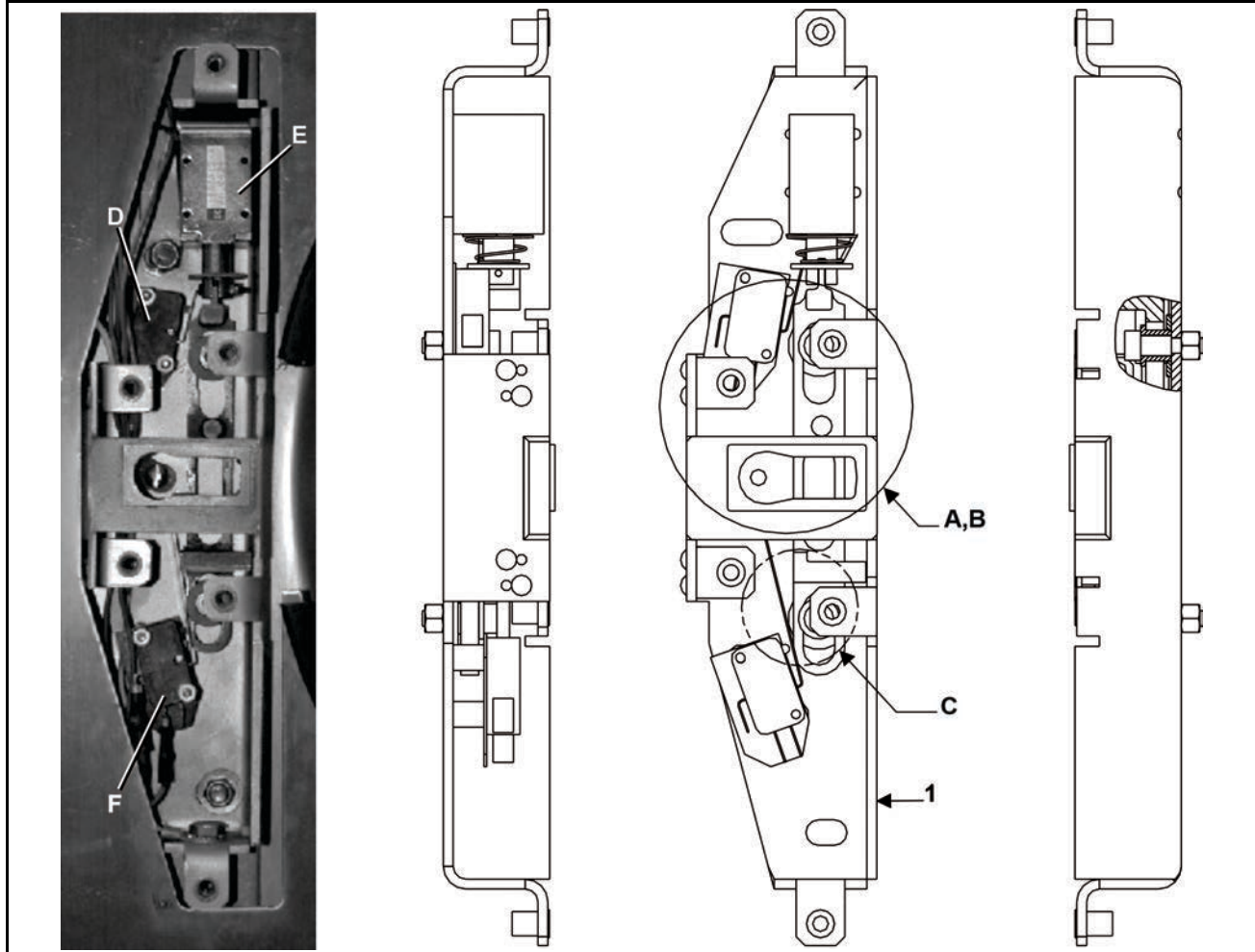
MCR12E5, MCR16E5, MCR18E4, MWR12E5, MWR16E5, MWR18E4, MWR18X4, MWR18J4

Table 21. Parts List—Door Installation

Find the assembly for your machine and the letter shown in the "Item" column. The components for your machine will show this letter or the word "all" in the "Used In" column. The numbers shown in the "Item" column are those shown in the illustrations.				
Used In	Item	Part Number	Description/Nomenclature	Comments
Reference Assemblies				
	A	GSD12001	DOOR 12" INSTALLATION	MCR12E5, MCR16E5, MWR16E5
	B	GSD12001A	DOOR 12" INSTALL OPL	MWR12E5
	C	GSD12002	SHELLDOOR ASSY 18KG	MCR18E4
	D	GSD12002A	DOOR 15.5" INSTAL OPL	MWR18E4
	E	KECDGLSK01	9KG DOOR GASKET SHIM KIT	MCR12E5, MWR12E5, MCR16E5, MWR16E5
	F	KEDDGLSK01	18KG DOOR GASKET SHIM KIT	MCR18E4, MWR18E4
Components				
AB	1	03 40022	CSX DOOR 12" CABINET	
CD	1	03 40222	CSX DOOR 14" 18KG	
AB	2	03 40022A	CSX DOOR GASKET 9KG	
CD	2	03 40222A	CSX GASKET DOOR 18KG	
AB	3	03 40022G	CSX DOOR GLASS 12"	
CD	3	03 40222G	CSX DOOR GLASS DEEP 14"	
E	4	03 40024A	CSX SHIM DOOR HINGE BKT 9KG	PART OF KIT E
F	4	03 40224A	CSX SHIM DOOR HINGE BKT 18KG	PART OF KIT F
all	5	03 40024	CSX HING MOUNT BKT 9KG	
all	6	27A108	DOORHINGE EMKA#1056-U8	
all	7	15G004HA	HEXLOCKNUT M6-1 18-8SS	
E,F	12	02 04192A	.015 SHIM=DOOR MNT PL,3022H7	PART OF KIT F
all	13	20CA40H	3-M CA40H INST. ADHESIVE 1OZ	
all	14	20C040B	SUPERFLEX CLR RTV SIL 10.1OZ	
all	15	02 03228A	COVER INTERLOCK	
A,C	16	A33 03227A	ASSY=DOOR LOCK A, MCR09/18	MCR12E5, MWR16E5, MCR18E4
B,D	16	98CMCR0924	ASSY=DOOR LOCK A MWR09/18	MWR12E5, MWR16E5, MWR18E4

**Door Lock Mechanism**

MCR12E5, MCR16E5, MCR18E4, MWR12E5, MWR16E5, MWR18E4, MWR18X4, MWR18J4



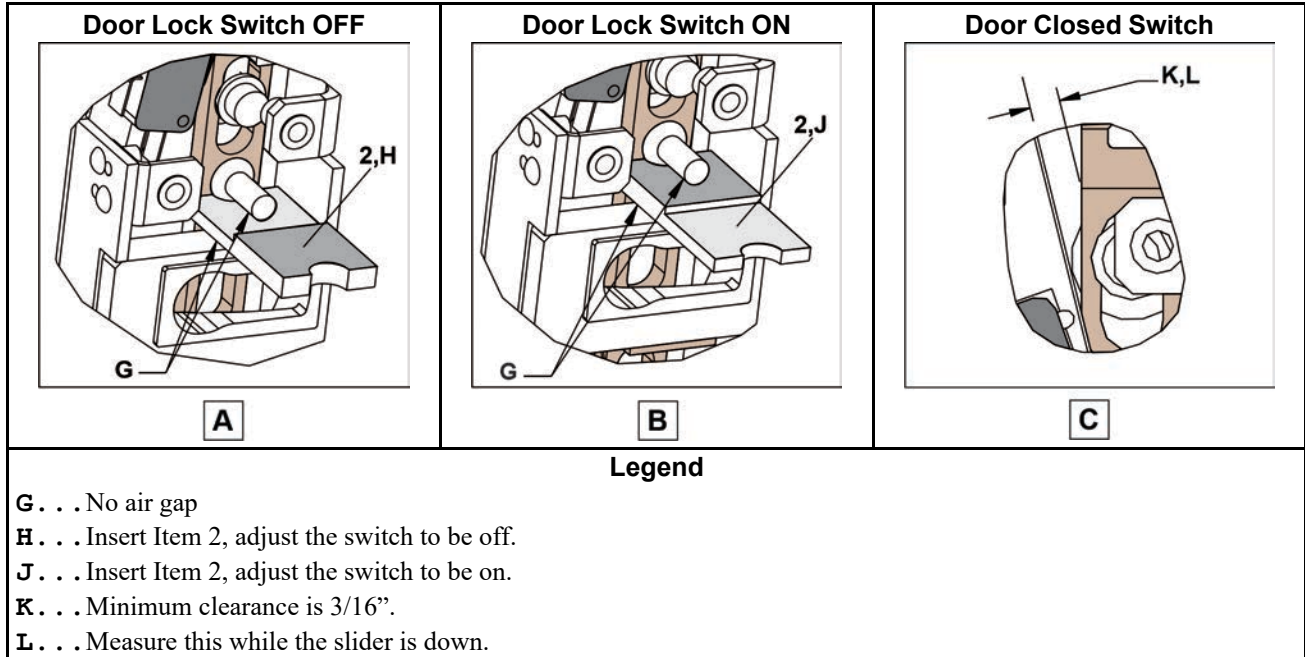
**Legend**

- A . . . See Detail A
- B . . . See Detail B
- C . . . See Detail C
- D . . . Door lock switch
- E . . . Door lock solenoid
- F . . . Door closed switch

# Door Lock Mechanism

3 Sheets

MCR12E5, MCR16E5, MCR18E4, MWR12E5, MWR16E5, MWR18E4, MWR18X4, MWR18J4



## Door Lock Mechanism

3 Sheets

MCR12E5, MCR16E5, MCR18E4, MWR12E5, MWR16E5, MWR18E4, MWR18X4, MWR18J4

Figure 28. Door Lock Slider and Bushings

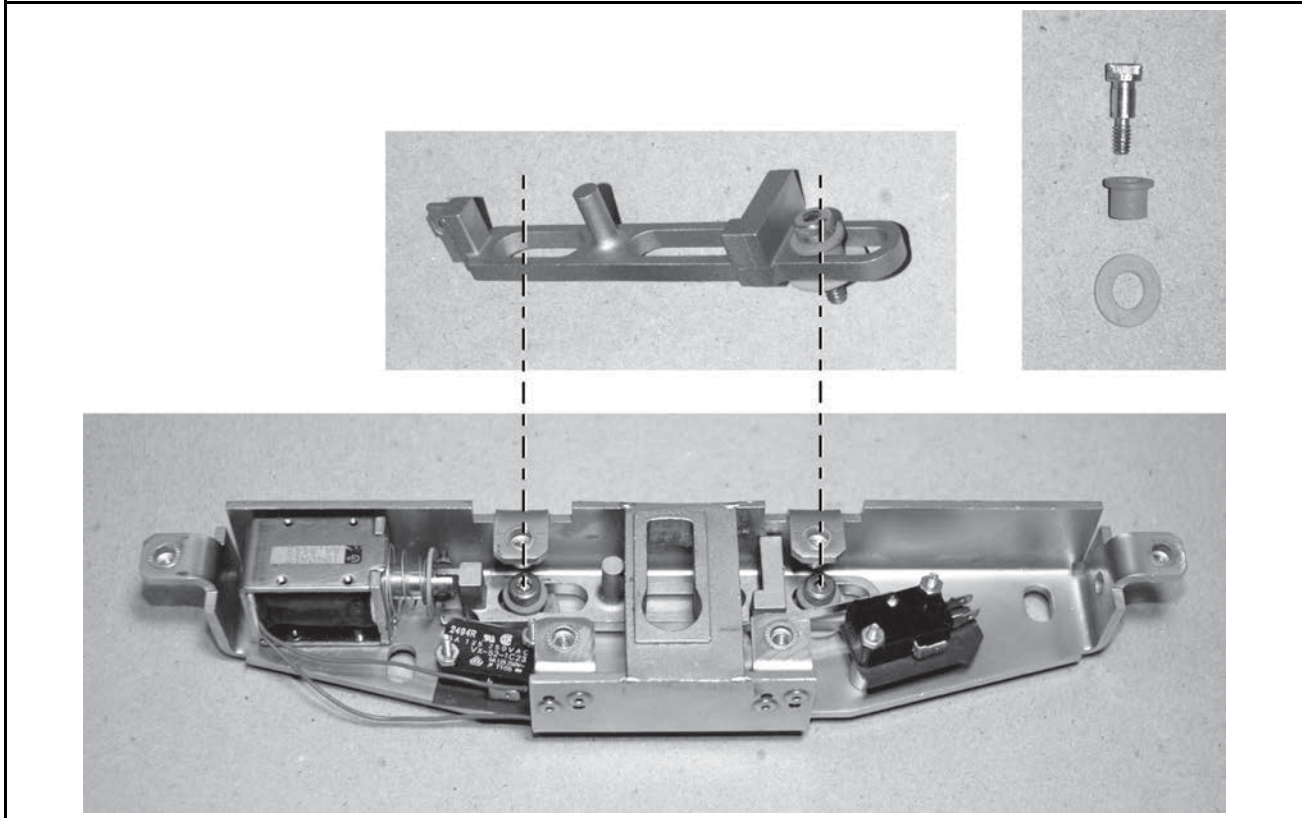


Table 22. Parts List—Door Lock Mechanism

Find the assembly for your machine and the letter shown in the "Item" column. The components for your machine will show this letter or the word "all" in the "Used In" column. The numbers shown in the "Item" column are those shown in the illustrations.

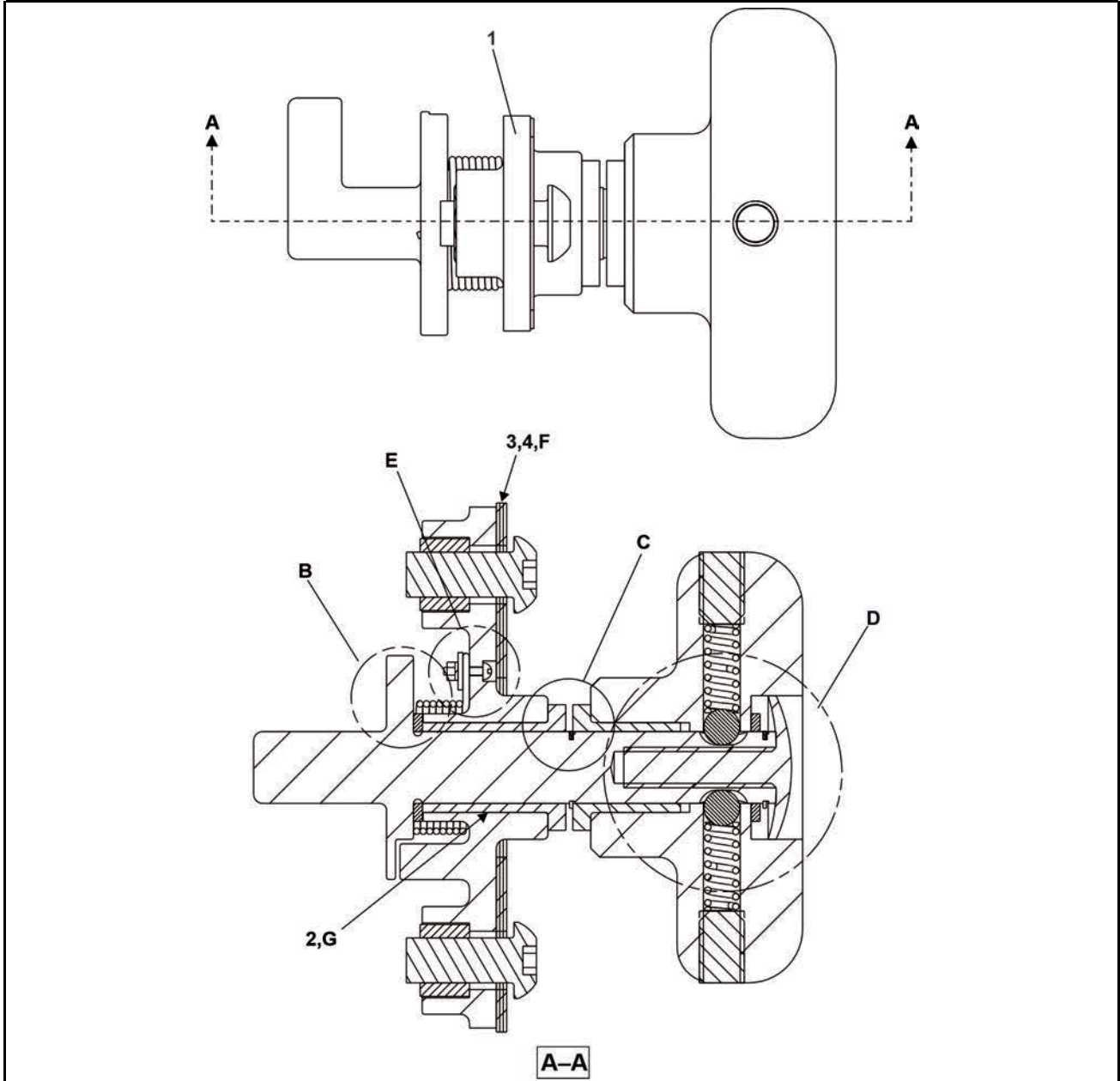
Used In	Item	Part Number	Description/Nomenclature	Comments
Components				
	1	A33 03227	ASSY=DOOR LOCK, MCR09/18	MCR12E5, MCR16E5, MCR18E5
	1	98CMCR0924	ASSY=DOOR LOCK A	MWR12E5, MWR16E5, MWR18E5, MWR18X4, MWR18J4, 3022V8Z, 3022VRJ
	2	X2 03306A	MACH=GAGE DR LOCK SWITH,MCR	



**Door Handle and Lock Actuator**

3 Sheets

MCR12E5/16E5/18E4/27E5; MCT12E5/16E5/18E4/27E5; MWR12E5/X5/J5; MWR16E5/X5/J5; MWR18E4/X4/18J4/18J6; MWR27E5/X5/J5; MWT12E5/X5/J5; MWT16E5/X5/J5; MWT18E4/X4/J6; MWT27E5/X5/J5



**A-A**

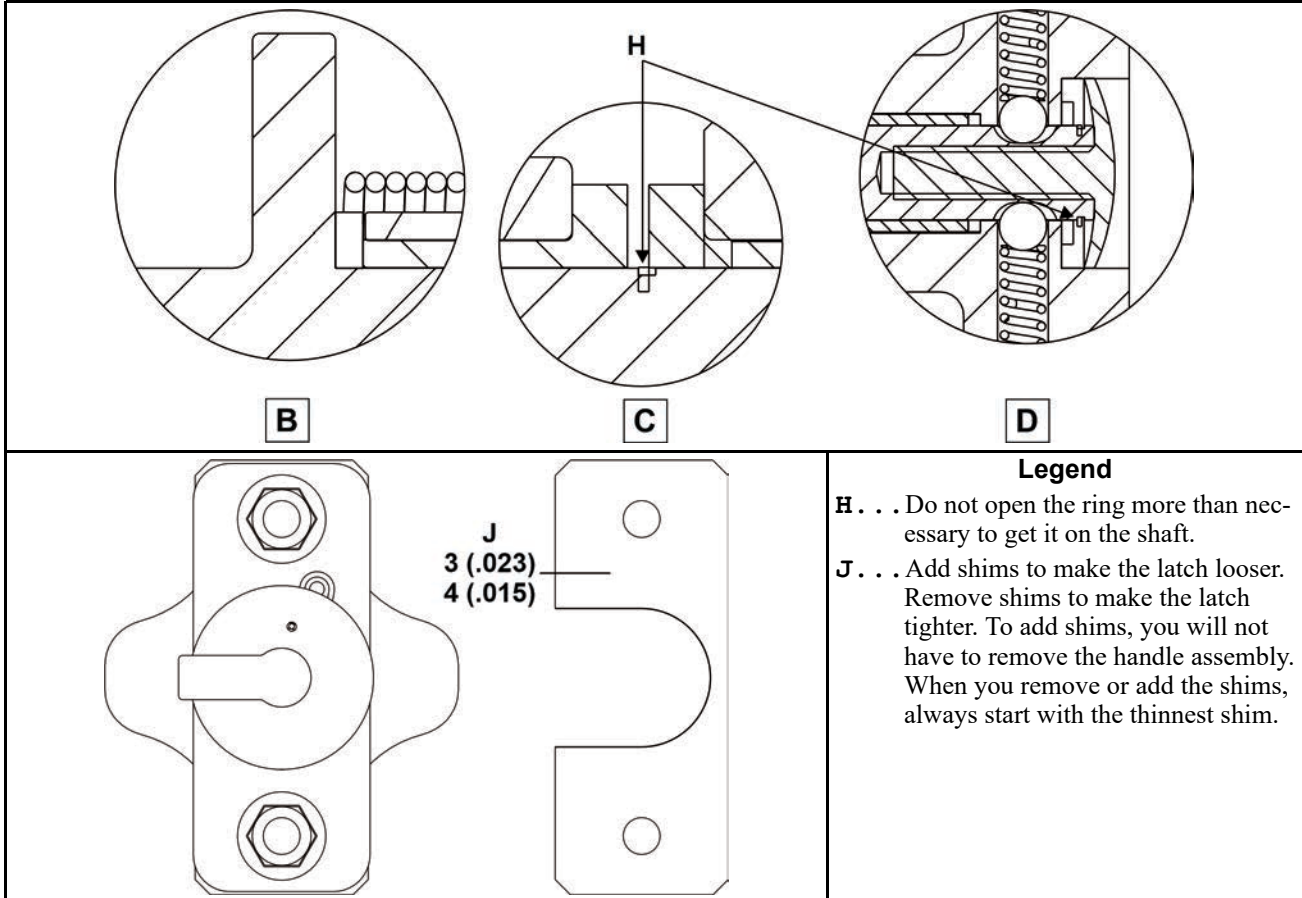
**Legend**

- B** . . . See detail B
- C** . . . See detail C
- D** . . . See detail D
- E** . . . See detail E
- F** . . . Shims
- G** . . . Apply Loctite 222 when inserting the bushing

# Door Handle and Lock Actuator

3 Sheets

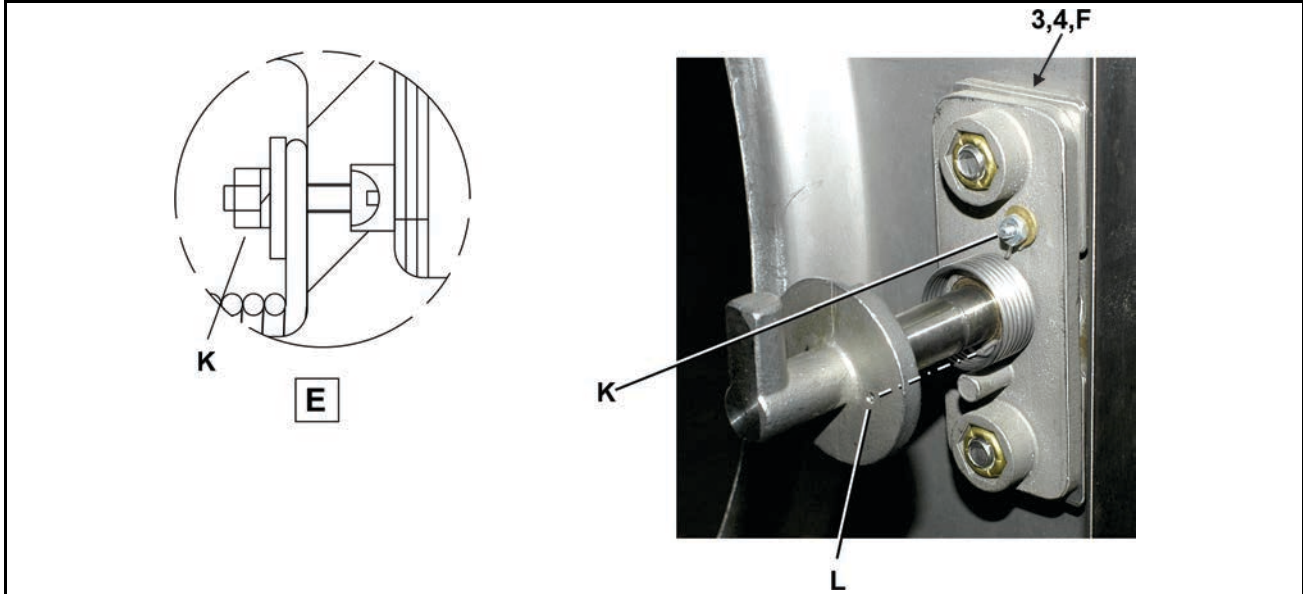
MCR12E5/16E5/18E4/27E5; MCT12E5/16E5/18E4/27E5; MWR12E5/X5/J5; MWR16E5/X5/J5; MWR18E4/X4/18J4/18J6; MWR27E5/X5/J5; MWT12E5/X5/J5; MWT16E5/X5/J5; MWT18E4/X4/J6; MWT27E5/X5/J5



**Door Handle and Lock Actuator**

3 Sheets

MCR12E5/16E5/18E4/27E5; MCT12E5/16E5/18E4/27E5; MWR12E5/X5/J5; MWR16E5/X5/J5; MWR18E4/X4/18J4/18J6; MWR27E5/X5/J5; MWT12E5/X5/J5; MWT16E5/X5/J5; MWT18E4/X4/J6; MWT27E5/X5/J5



**Legend**

**F** . . . Shims

**K** . . . Insert the machine screw. Hook the eye of the torsion spring onto the screw. Add the flatwasher, lockwasher, and nut. Tighten the nut to hold the eye.

**L** . . . Put the free end of the spring into this hole.

**Table 23. Parts List—Door Handle and Lock Actuator**

Find the assembly for your machine and the letter shown in the "Item" column. The components for your machine will show this letter or the word "all" in the "Used In" column. The numbers shown in the "Item" column are those shown in the illustrations.				
Used In	Item	Part Number	Description/Nomenclature	Comments
Components				
all	1	98CMCR0925	ASSY=DR HNDL MECH	
all	2	20C007	THDLOCKSEAL LCT#22221 CMPD10CC	
all	3	02 04192	SHIM=DOOR MOUNT PLATE, 3022H	
all	4	02 04192A	.015 SHIM=DOOR MNT PL,3022H7	

# 6 Chemical Supply

BPWCAC01 / 2022036

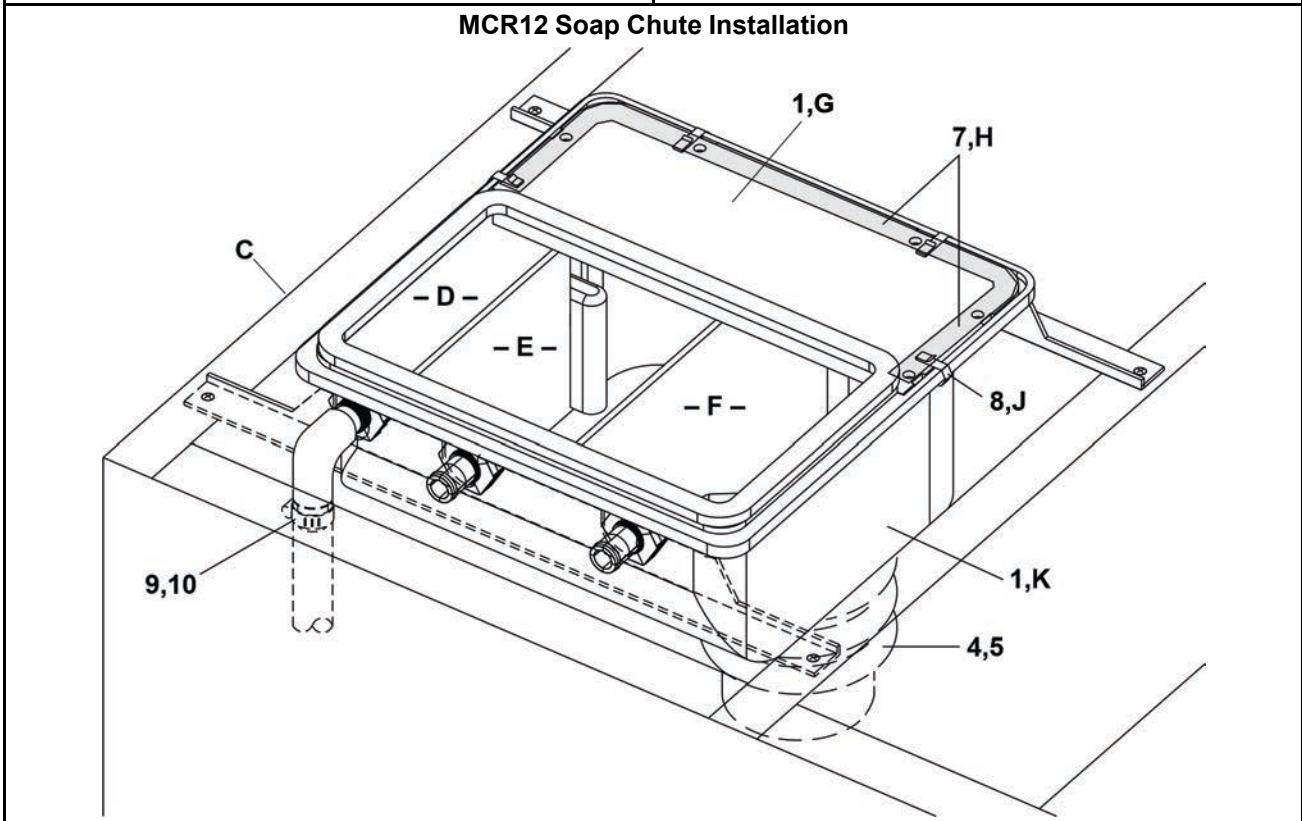
BPWCAC01.1 0000403354 C.2 A.5 1/14/22, 12:14 PM Released

# Soap Chute

3 Sheets

MCR12E5, MCT16E5, MCT18E4, MCT27E5, MCR36E4

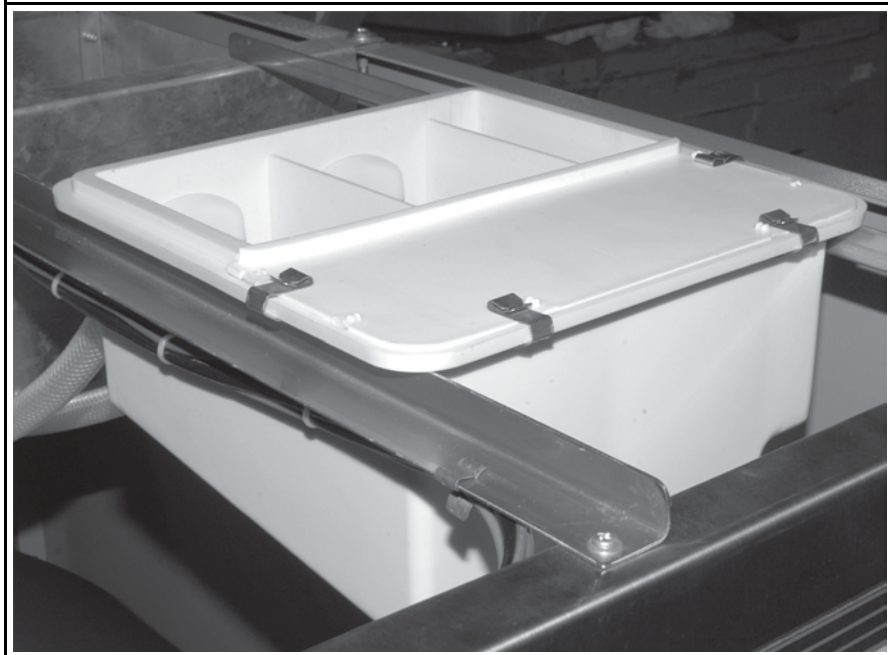
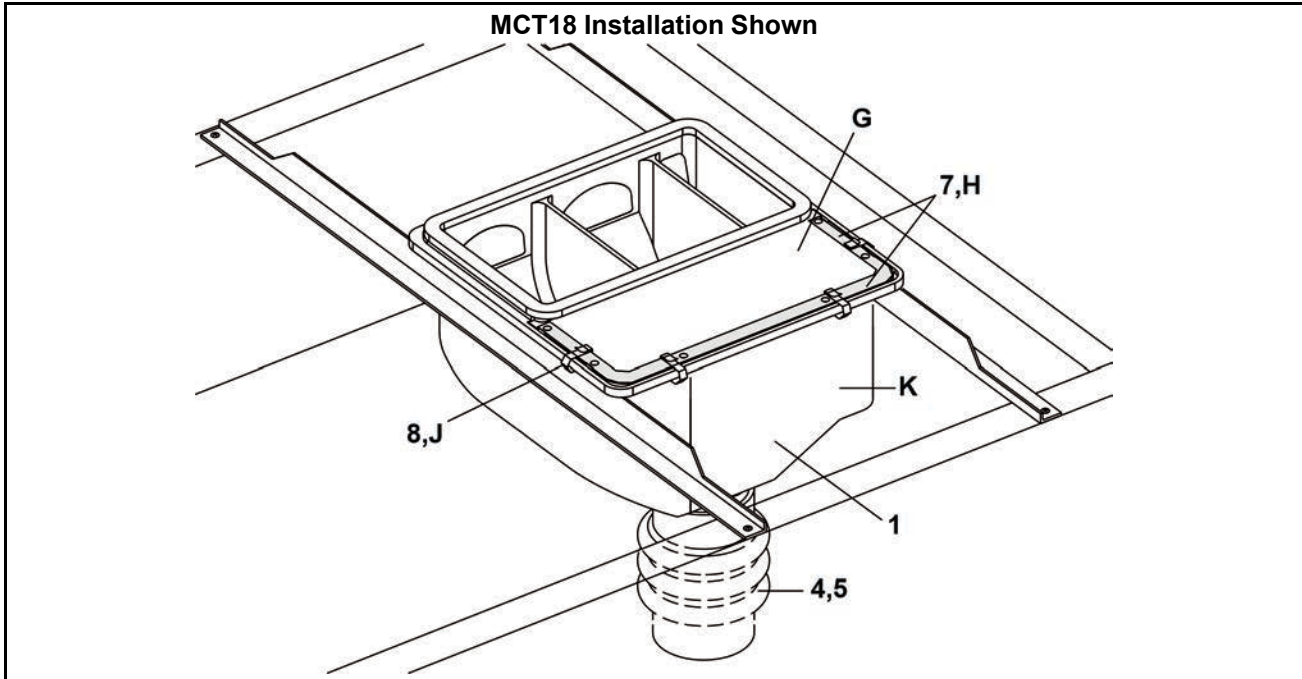
	<p><b>Legend</b></p> <ul style="list-style-type: none"> <li>A . . . Top cosmetic cover</li> <li>B . . . Gasket</li> <li>C . . . Front cosmetic</li> <li>D . . . Liquid softener</li> <li>E . . . Powdered detergent or powdered bleach</li> <li>F . . . Powdered detergent</li> <li>G . . . Cover</li> <li>H . . . Apply silicone between soap chute body and cover.</li> <li>J . . . Clip 4 instances</li> <li>K . . . Body</li> </ul>



# Soap Chute

3 Sheets

MCR12E5, MCT16E5, MCT18E4, MCT27E5, MCR36E4



### Legend

- G** . . . Cover
- H** . . . Apply silicone between soap chute body and cover.
- J** . . . Clip 4 instances
- K** . . . Body

**Soap Chute**

3 Sheets

MCR12E5, MCT16E5, MCT18E4, MCT27E5, MCR36E4

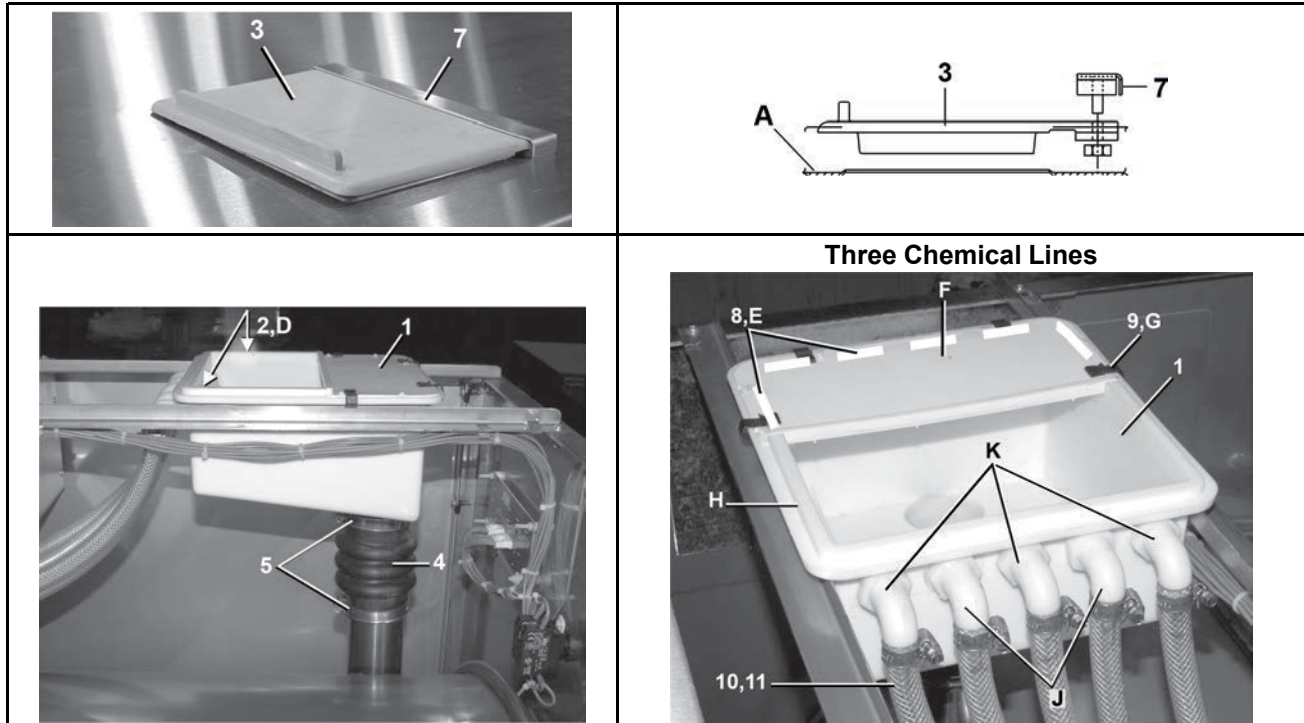
**Table 24. Parts List—Soap Chute**

Find the assembly for your machine and the letter shown in the "Item" column. The components for your machine will show this letter or the word "all" in the "Used In" column. The numbers shown in the "Item" column are those shown in the illustrations.				
Used In	Item	Part Number	Description/Nomenclature	Comments
Components				
all	1	AWS33005	SOAP CHUTE ASSY 3 COMP	
all	2	03 40039B	GASKET SOAP CHUTE	
all	3	03 40039C	COVER SOAP CHUTE	
all	4	03 40039H	FLEXIBLE TUBE=SOAP CHUTE 4.25"	
all	5	27A065S	HOSECLAMP 1.56"-2.5"SSSCR#32	
all	6	W3 40039D	WELD HINGE COVER SOAP CHUTE	
all	7	20C040B	SUPERFLEX CLR RTV SIL 10.2OZ	
all	8	12P015D	CABLE CLIP TINN#C23214-017	
all	9	60E006C	PVC TUBING NYL.REINF.5IDX.75OD	
all	10	27A044S	HOSECLAMP 11/16-1.25SSSCR#64012	

**Soap Chute for E-P One-Touch®**

2 Sheets

MWR12E5, MWR16E5, MWR18E4, MWR27E5, MWT12E5, MWT16E5, MWT18E4, MWT27E5



**Legend**

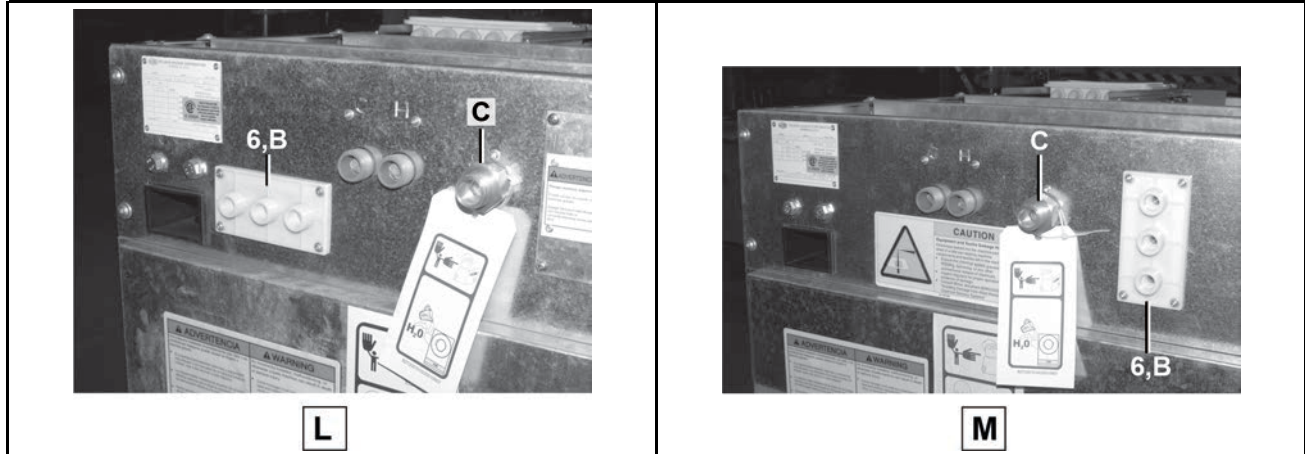
- A** . . . Top cosmetic cover
- D** . . . Gasket (not shown)
- E** . . . Apply silicone between soap chute body and cover
- F** . . . Cover
- G** . . . Clips 4 instances
- H** . . . Body
- J** . . . Water lines
- K** . . . Chemical



**Soap Chute for E-P OneTouch®**

2 Sheets

MWR12E5, MWR16E5, MWR18E4, MWR27E5, MWT12E5, MWT16E5, MWT18E4, MWT27E5



**Legend**

**B** . . . Peristaltic chemical inlets to soap chute

**C** . . . Hot water to flush soap chute

**L** . . . For models MWR12E5, MWR16E5 MWT12E5, MWT16E5

**M** . . . For models MWR18E4, MWR18X4, MWR18J6, MWR27E5, MWR27X5, MWR27J5, MWT18E4, MWT18X4, MWT18J6, MWT27E5, MWT27X5, MWT27J5

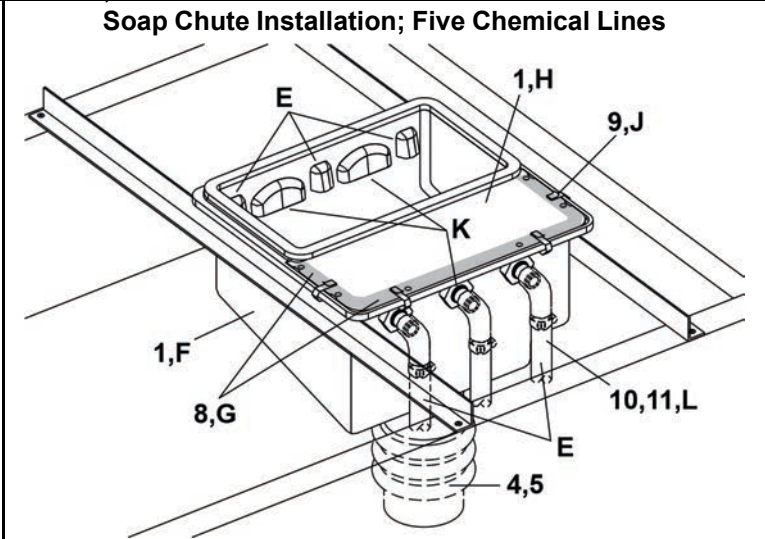
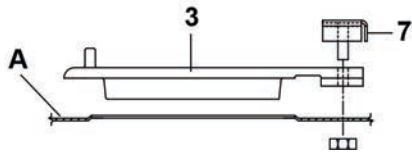
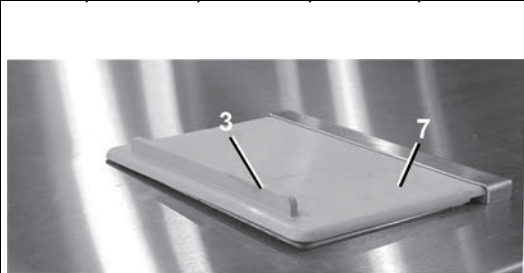
**Table 25. Parts List—Soap Chute for E-P OneTouch®**

Find the assembly for your machine and the letter shown in the "Item" column. The components for your machine will show this letter or the word "all" in the "Used In" column. The numbers shown in the "Item" column are those shown in the illustrations.				
Used In	Item	Part Number	Description/Nomenclature	Comments
Components				
all	1	AWS33006	DRY AND LIQUID SUPPLY OPL	
all	2	03 40039B	GASKET SOAP CHUTE	
all	3	03 40039C	COVER SOAP CHUTE	
all	4	03 40039H	FLEXIBLE TUBE=SOAP CHUTE 4.25"	
all	5	27A065	HOSECLAMP 1.56-2.5"Z.P.SCR#32	
all	6	03 40043	3 INLET LIQUID SUPPLY	
all	7	W3 40039D	WELD HINGE COVER SOAP CHUTE	
all	8	20C040B	SUPERFLEX CLR RTV SIL 10.2OZ	
all	9	12P015D	CABLE CLIP TINN#C23214-017	
all	10	60E006C	PVC TUBING NYL.REINF.5IDX.75OD	
all	11	27A044	HOSECLAMP 5/8"ID BREEZE#6706SS	

**Soap Chute for E-P Express® and E-P Plus® Controller**

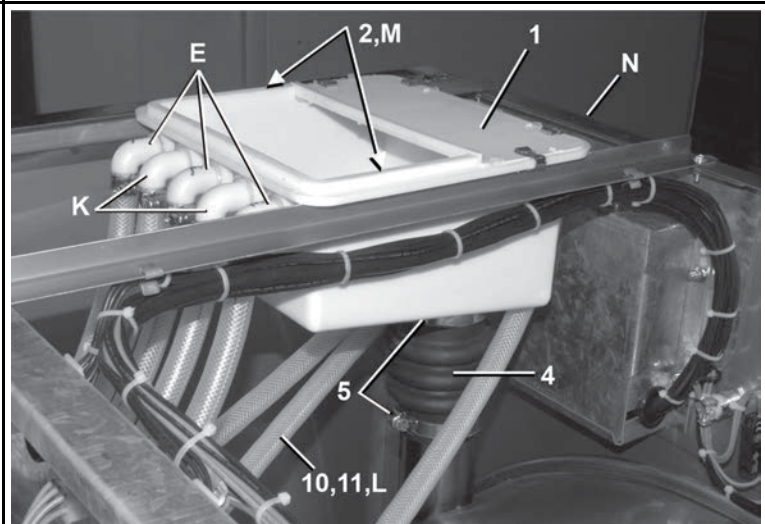
2 Sheets

MWR12X5, MWR16X5, MWR18X4, MWR27X5 MWR12J5, MWR16J5, MWR18J6, MWR27J5, MWT12X5, MWT16X5, MWT18X4, MWT27X5, MWT12J5, MWT16J5, MWT18J6, MWT27J5



**Legend**

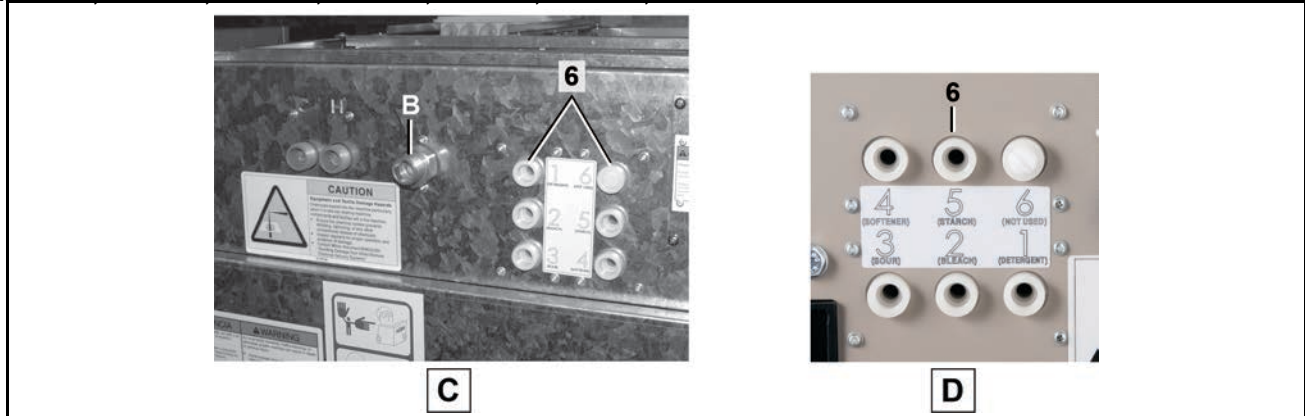
- A . . . Top cosmetic cover
- E . . . Chemical
- F . . . Body
- G . . . Apply silicone between soap chute body and cover
- H . . . Cover
- J . . . Clip, 4 instances
- K . . . Water
- L . . . Typical
- M . . . Gasket (not shown)
- N . . . Front cosmetic



## Soap Chute for E-P Express® and E-P Plus® Controller

2 Sheets

MWR12X5, MWR16X5, MWR18X4, MWR27X5 MWR12J5, MWR16J5, MWR18J6, MWR27J5, MWT12X5, MWT16X5, MWT18X4, MWT27X5, MWT12J5, MWT16J5, MWT18J6, MWT27J5



### Legend

B . . . Hot water to flush soap chute

C . . . MWR18X4

D . . . MWT12X, MWT16X, MWT18X, MWR27X, MWT12J, MWT16J, MWT18J, MWT27J

**Table 26. Parts List—Soap Chute for E-P Express® and E-P Plus® Controller**

Find the assembly for your machine and the letter shown in the "Item" column. The components for your machine will show this letter or the word "all" in the "Used In" column. The numbers shown in the "Item" column are those shown in the illustrations.

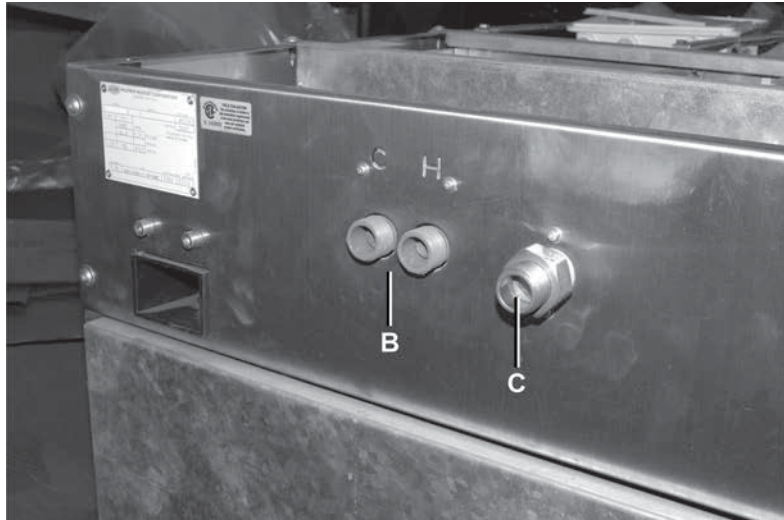
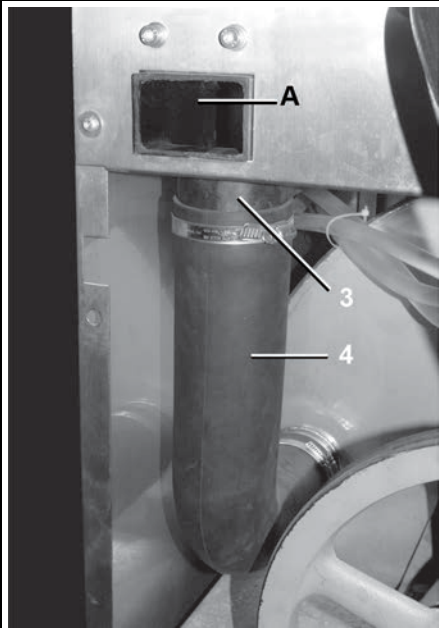
Used In	Item	Part Number	Description/Nomenclature	Comments
Components				
all	1	AWS33007	DRY/LIQ SUPPLY EP EXPRESS	
all	2	03 40039B	GASKET SOAP CHUTE	
all	3	03 40039C	COVER SOAP CHUTE	
all	4	03 40039H	FLEXIBLE TUBE=SOAP CHUTE 4.25"	
all	5	27A065	HOSECLAMP 1.56-2.5"Z.P.SCR#32	
all	6	03 40043B	INLET SIX LIQUID SUPPLY	
all	7	W3 40039D	WELD HINGE COVER SOAP CHUTE	
all	8	20C040B	SUPERFLEX CLR RTV SIL 10.2OZ	
all	9	12P015D	CABLE CLIP TINN#C23214-017	
all	10	60E006C	PVC TUBING NYL.REINF.5IDX.75OD	
all	11	27A044S	HOSECLAMP 11/16-1.25SSCR#64012	

# 7 Water and Drain

This page intentionally blank

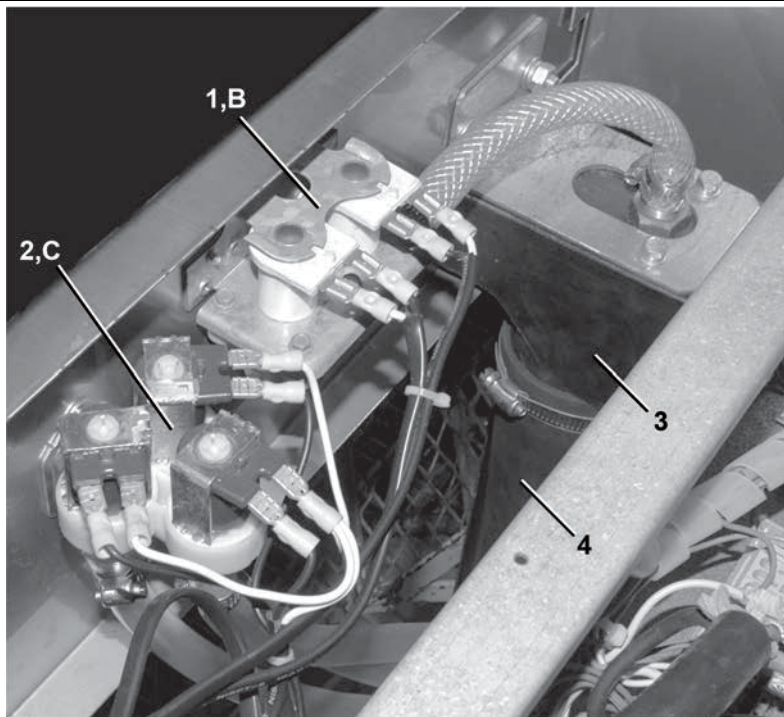
# Water Inlets

MCR12E5, MCR16E5, MCR18E4, MCT12E5, MCT16E5, MCT18E4



### Legend

- A . . . Vacuum breaker
- B . . . Hot and cold fill water
- C . . . Hot water top flush soap chute



**Water Inlets**

2 Sheets

MCR12E5, MCR16E5, MCR18E4, MCT12E5, MCT16E5, MCT18E4

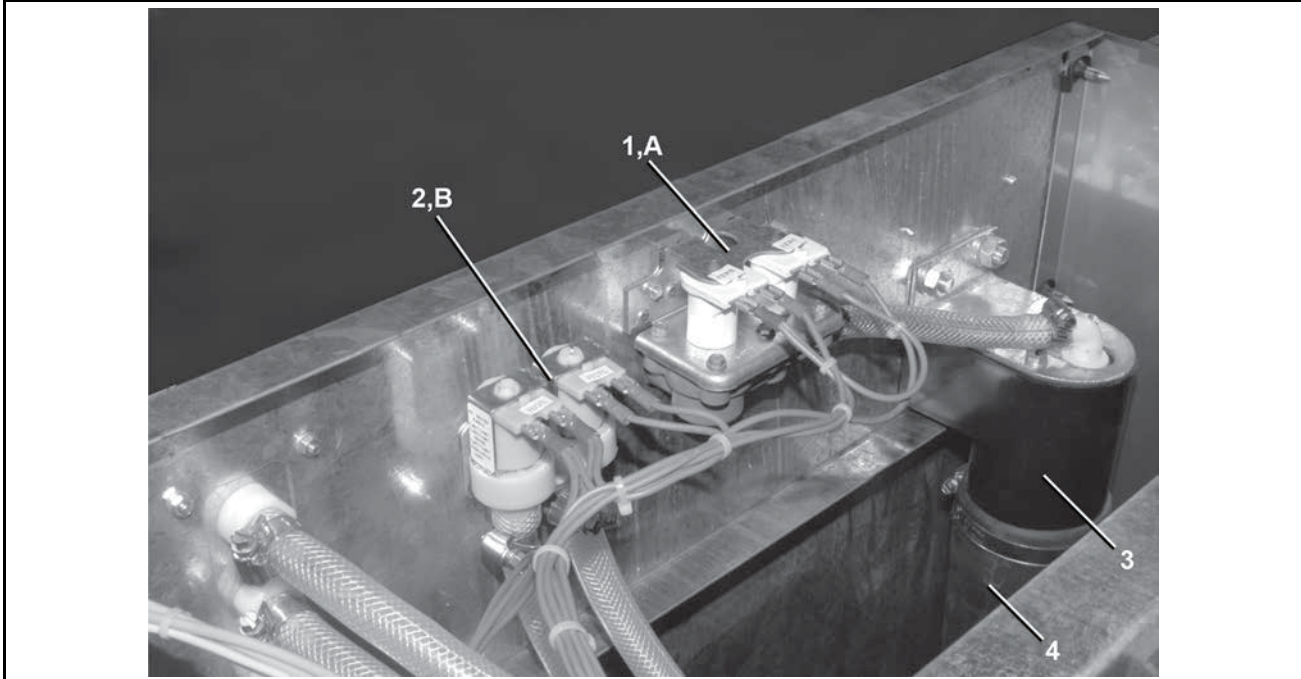
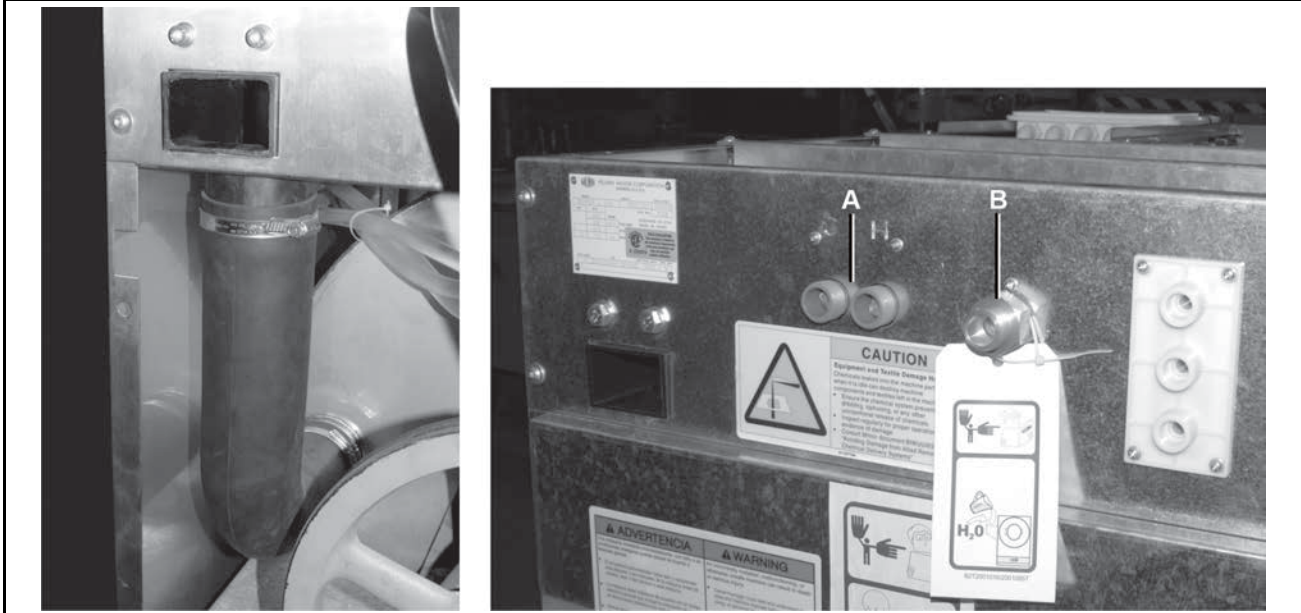
**Table 27. Parts List—Water Inlets**

Find the assembly for your machine and the letter shown in the "Item" column. The components for your machine will show this letter or the word "all" in the "Used In" column. The numbers shown in the "Item" column are those shown in the illustrations.				
Used In	Item	Part Number	Description/Nomenclature	Comments
Components				
all	1	98CMCR0937	3/4"DUOINLET 1/2"HOSEOUT	
all	2	98CMCR0938	3/4 INLET 13M 3 OUT 220/240V	
all	3	98CMCR0939	VAC H2O BOX MCR/MWR	
A	4	03 40025A	FILL HOSE	MCR/MCT12E5 MCR/MCT16ES
B	4	03 40225A	FILL HOSE 18KG	MCR/MCT18E4

# Water Inlets

2 Sheets

MWR12E/X/J5, MWR16E/X/J5, MWR18E/X4, MWR18J6, MWT12E/X/J5, MWT16E/X/J5, MWT18E/X4, MWT18J6



## Legend

- A . . . Hot and cold fill water
- B . . . Hot water to flush soap chute



**Water Inlets**

2 Sheets

MWR12E/X/J5, MWR16E/X/J5, MWR18E/X4, MWR18J6, MWT12E/X/J5, MWT16E/X/J5, MWT18E/X4, MWT18J6

**Table 28. Parts List—Water Inlets**

Find the assembly for your machine and the letter shown in the "Item" column. The components for your machine will show this letter or the word "all" in the "Used In" column. The numbers shown in the "Item" column are those shown in the illustrations.				
Used In	Item	Part Number	Description/Nomenclature	Comments
Components				
all	1	98CMCR0937	3/4"DUOINLET 1/2"HOSEOUT	
all	2	98CMCR0942	3/4 INLET 13M 2 OUT 220/240V	
all	3	98CMCR0939	VAC H2O BOX MCR/MWR	
A	4	03 40025A	FILL HOSE	MWR/MWT12,16
B	4	03 40225A	FILL HOSE 18KG	MWR/MWT18
all	5	02 03588Q	WATER INLET ELBOW	
all	6	03 40039I	CSX NUT SUPPLY INLET	

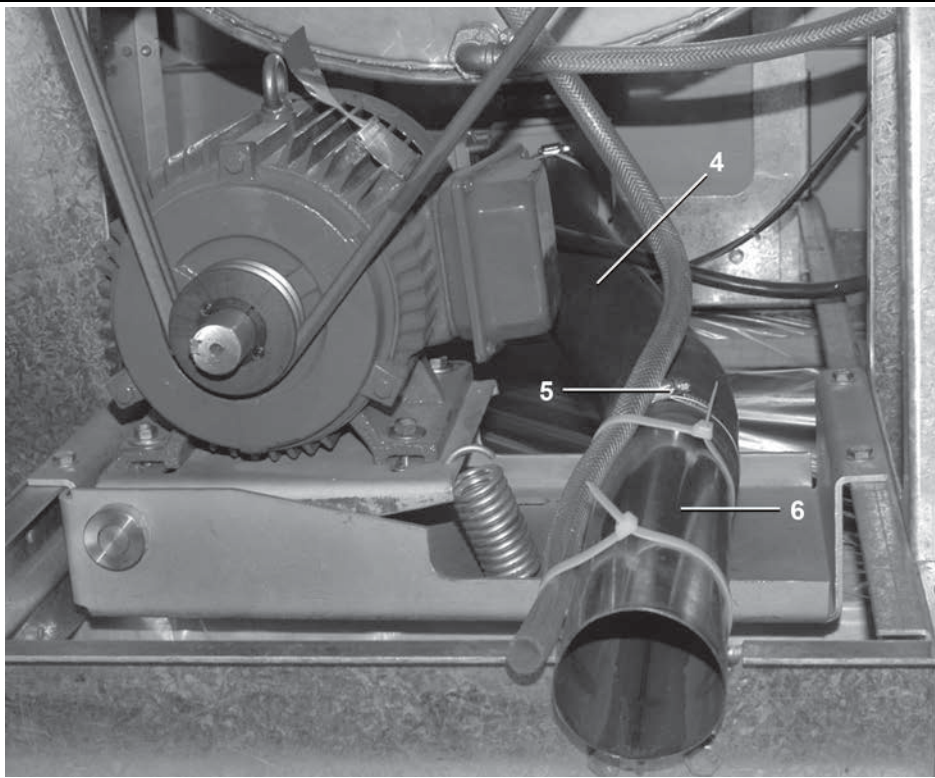
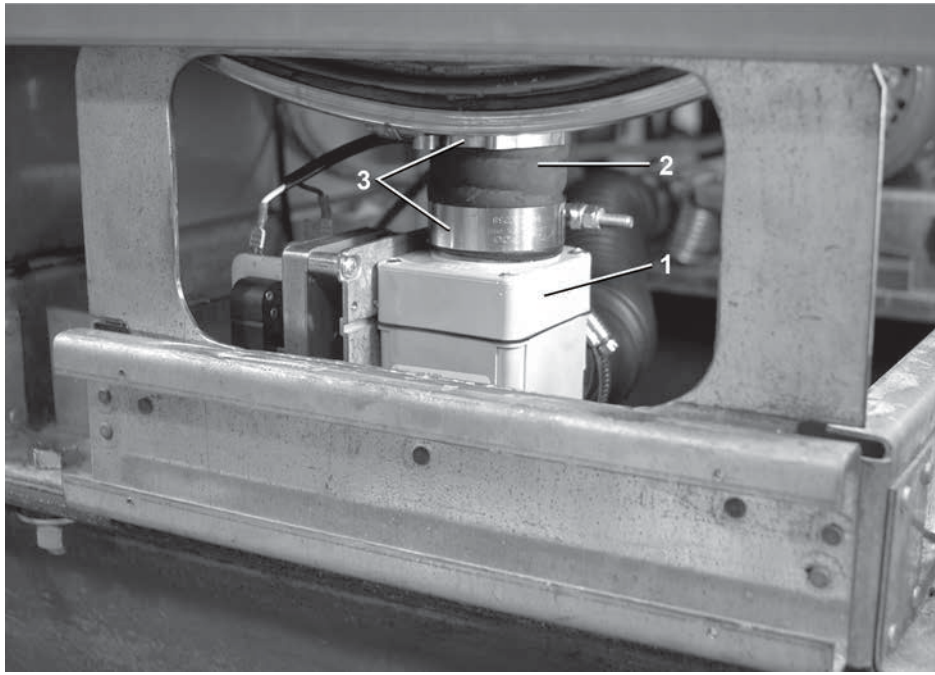
BPWCAW03 / 2022043

BPWCAW03.1 0000403718 C.2 A.5 1/18/22, 1:47 PM Released

## Drain Installation

2 Sheets

MCR12E5, MCR16E5, MCR18E4, MWR12E/X/J5, MWR16E/X/J5, MWR18E/X4, MWR18J6, MWR27E/X/J5,  
MCT12E5, MCT16E5, MCT18E4, MWT12E/X/J5, MWT16E/X/J5, MWT18E/X4, MWT18J6, MWT27E/X/J5



**Drain Installation**

2 Sheets

MCR12E5, MCR16E5, MCR18E4, MWR12E/X/J5, MWR16E/X/J5, MWR18E/X4, MWR18J6, MWR27E/X/J5,  
MCT12E5, MCT16E5, MCT18E4, MWT12E/X/J5, MWT16E/X/J5, MWT18E/X4, MWT18J6, MWT27E/X/J5

**Table 29. Parts List—Drain Installation**

Find the assembly for your machine and the letter shown in the "Item" column. The components for your machine will show this letter or the word "all" in the "Used In" column. The numbers shown in the "Item" column are those shown in the illustrations.				
Used In	Item	Part Number	Description/Nomenclature	Comments
Reference Assemblies				
	A			MCR/MWR12, MCT/MWT12
	B			MCR/MWR16, MCT/MWT16
	C			MCR/MWR18, MWT/MWT18
Components				
AB	1	96D25RAA71	DRAINVALRTANG 2"N/O 240V 50/60	
C	1	96D35RAA71	DRAINVAL RT-ANG 3" 240V 50/60C	
AB	2	03 40025D	DRAIN HOSE 2" X 4 PLICORD 125	
C	2	60E303W	HOSE 3"ID DRAIN-PLICORD 125	
AB	3	27A066S	T-BOLT HOSECLAMP SS 2.35-2.66	
C	3	27A077AA	T-BOLT HOSECLAMP 3.28-3.59"SS	
AB	4	03 40025	TUBE=DRAIN 2"ID	
C	4	03 40225	TUBE=DRAIN VAL 3"ID	
AB	5	27A065S	HOSECLAMP 1.56"-2.5"SSSCR#32	
C	5	27A074S	HOSECLAMP 2+1/16-3"SSSCR#64040	
A	6	W3 40041	DRAIN PIPE REAR WELD 9KG	
B	6	W3 40141	WLDMT=DRAIN PIPE 16KG	
C	6	W3 40241	WELD DRAIN TUBE	

# 8 Control and Sensing

BNWUUM01 / 2019345

BNWUUM01

0000250244

11/7/19, 10:43 AM

Released

## Vibration Safety Switch Adjustments

BNWUUM01.C01 0000250243 C.2 A.3 1/2/20, 2:19 PM Released

### What the Vibration Safety Switch Does

BNWUUM01.C02 0000250242 C.2 A.3 1/2/20, 2:19 PM Released

The **vibration safety switch** in [Figure 29: Vibration Switch, page 99](#) is an important safety feature. If properly adjusted, the switch will momentarily actuate as a result of repeated machine movement caused by an out-of-balance condition. [Table 30, page 98](#) below illustrates the effect of the **vibration safety switch** actuation.

**Table 30. Effect of Tripping Vibration Safety Switch**

Machine Model	Function of Vibration Safety Switch
30015, 30020, and 30022	Disables high speed extract
All microprocessor-controlled washer-extractors not listed above, and all dye machines	De-energizes three-wire relay, effectively terminating machine operation

### Adjustments

BNWUUM01.C03 0000250240 C.2 B.2 11/7/19, 10:43 AM Released

When the machine leaves Milnor®, the actuator arm is tie-wrapped to prevent damage (except on 30015, 30020, and 30022 models). **This tie wrap must be removed after the machine is set into position but before the machine is operated.**

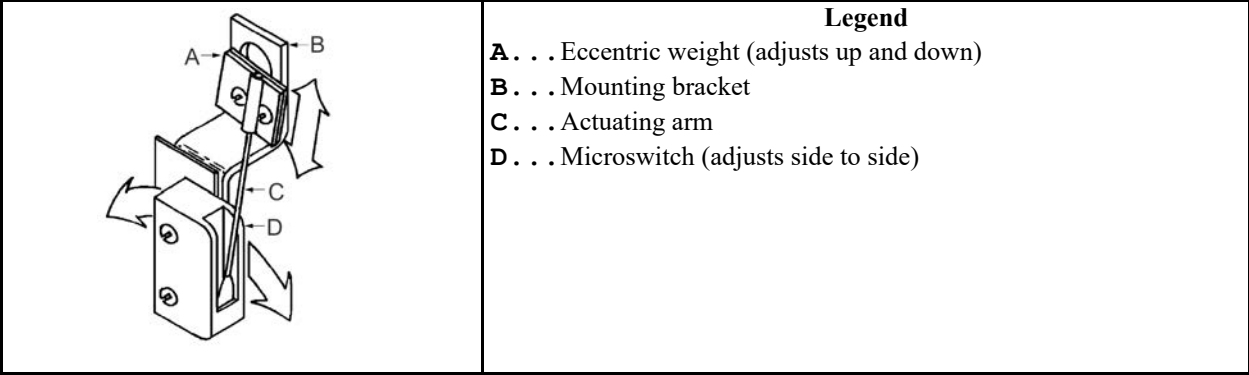
Adjustment of this switch from the factory setting is not recommended; however, it should be checked for proper functioning and adjusted if its proper setting is lost.

As shown in [Figure 29: Vibration Switch, page 99](#), the unit consists of a **sensitive micro-switch** with an extended actuating arm supporting an eccentric weight. The weight may be adjusted by moving it up and down on the arm and by rotating it on the arm. In addition, the **micro-switch** itself may be tilted from side to side.

**The sensitivity of the switch increases as the eccentric weight is raised on the actuating arm and decreases as the weight is lowered.**

The unit should be adjusted so that the actuating arm will always reset by itself, this being accomplished by rotating either the switch or the weight to give just enough bias to cause the switch to reset. Check the adjustment by moving the arm to the left then slowly releasing it. Make sure the micro-switch clicks when the arm is **slowly** released, thus indicating that it has reset. In the released position, the arm should rest **lightly** but definitely against the stop on the **micro-switch** case that prevents any further arm movement to the left.

Figure 29. Vibration Switch

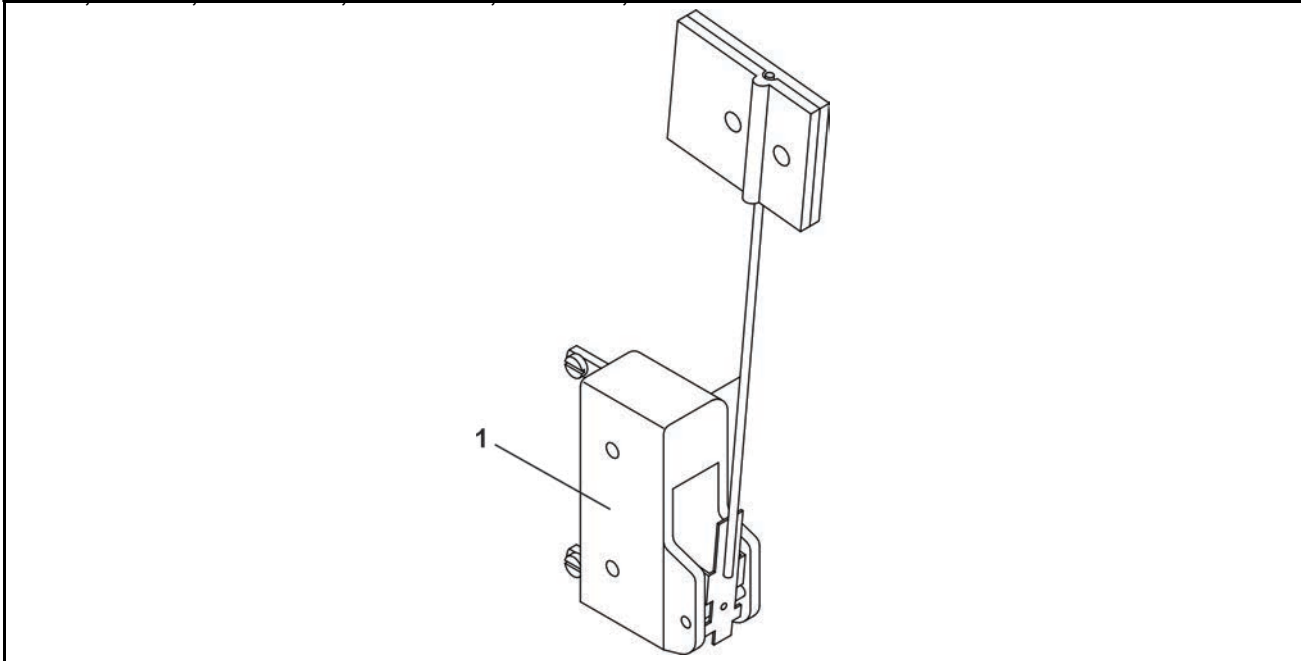


For machines with rigid mounted shells, where the machine is bolted to a very substantial foundation, very little machine movement will occur for a given degree of out-of-balance. Under such conditions it may be better to adjust the switch to be very sensitive. With less substantial foundations (e.g., ones where the sub-soil is mushy or springy or otherwise not as desirable), considerably greater machine movement will occur for a given degree of out-of-balance, in which case a less sensitive **vibration switch** setting may be indicated.

### Vibration Safety Switch

1 Sheet

MCR12E5, MCR16E5, MCR18E4, MWR12E/X/J5, MWR16E/X/J5, MWR18E/X4, MWR18J6, MCT12E5, MCT16E5, MCT18E4, MWT12E/X/J5, MWT16E/X/J5, MWT18E/X4, MWT18J6



**Table 31. Parts List—Vibration Safety Switch**

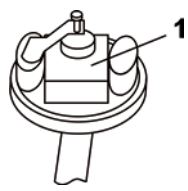
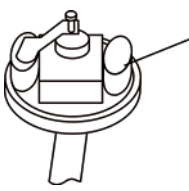
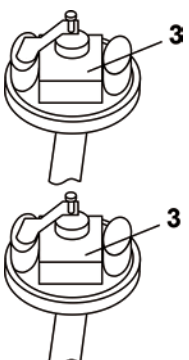
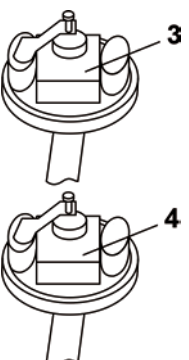
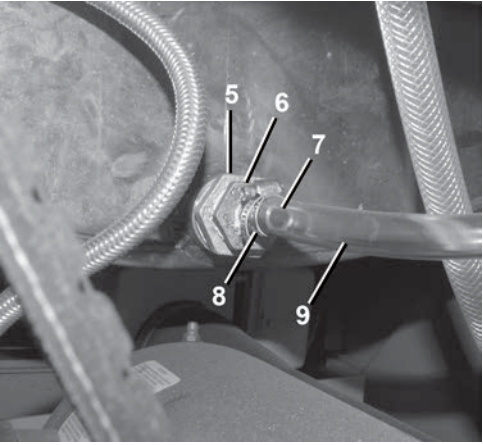
Find the assembly for your machine and the letter shown in the "Item" column. The components for your machine will show this letter or the word "all" in the "Used In" column. The numbers shown in the "Item" column are those shown in the illustrations.				
Used In	Item	Part Number	Description/Nomenclature	Comments
Components				
all	1	98CMCR0910	VIBRATION SWITCH	

This page intentionally blank

**Level Switch**

2 Sheets

MCR12E5, MCR16E5, MCR18E4, MWR12E/X/J5, MWR16E/X/J5, MWR18E/X4, MWR18J6, MCT12E5, MCT16E5, MCT18E4, MCT27E5, MWT12E/X/J5, MWT16E/X/J5, MWT18E/X4, MWT18J6, MWT27E/X/J5

Single Level Switch Used		Two Level Switches Used	
<p>(A) MCR12E5/MCT12X5 (B) MCR16E5/MCT16X5</p> 	<p>(C) MCR18E4/MCT18X4 (C) MCR27E5/MCT27X5</p> 	<p>(D) MWR12E5/MWT12X5 (E) MWR16E5/MWT16X5</p> 	<p>(F) MCR18E4/MCT18X4 (F) MWR18X4/MWT18X4</p> 
			



**Level Switch**

2 Sheets

MCR12E5, MCR16E5, MCR18E4, MWR12E/X/J5, MWR16E/X/J5, MWR18E/X4, MWR18J6, MCT12E5,  
MCT16E5, MCT18E4, MCT27E5, MWT12E/X/J5, MWT16E/X/J5, MWT18E/X4, MWT18J6, MWT27E/X/J5

**Table 32. Parts List—Level Switch**

Find the assembly for your machine and the letter shown in the "Item" column. The components for your machine will show this letter or the word "all" in the "Used In" column. The numbers shown in the "Item" column are those shown in the illustrations.				
Used In	Item	Part Number	Description/Nomenclature	Comments
Components				
all	1	09N089	PRESS SW ASSY TRIP 4.7	
all	2	09N086A	PRESS SW INVENSYS #738-761	
all	3	09N100	PRESS SW ASSY TRIP 2.5"	
all	4	09N101	PRESS SW ASSY TRIP 4.85"	
all	5	5SB1A0PNFO	NPTHEXBUSH 1X3/4 GALMAL 150#	
all	6	5SB0P0GNFO	NPTHEXBUSH 3/4X3/8 GALMAL 150#	
all	7	51E507A	HOSESTEM BRASS 3/8MPX1/2HOSEID	
all	8	27A040	HOSECLAMP 7/16-25/32SS W/SCREW	
all	9	60E005P	PVC TUBING 1/2"ID X 5/8"OD	

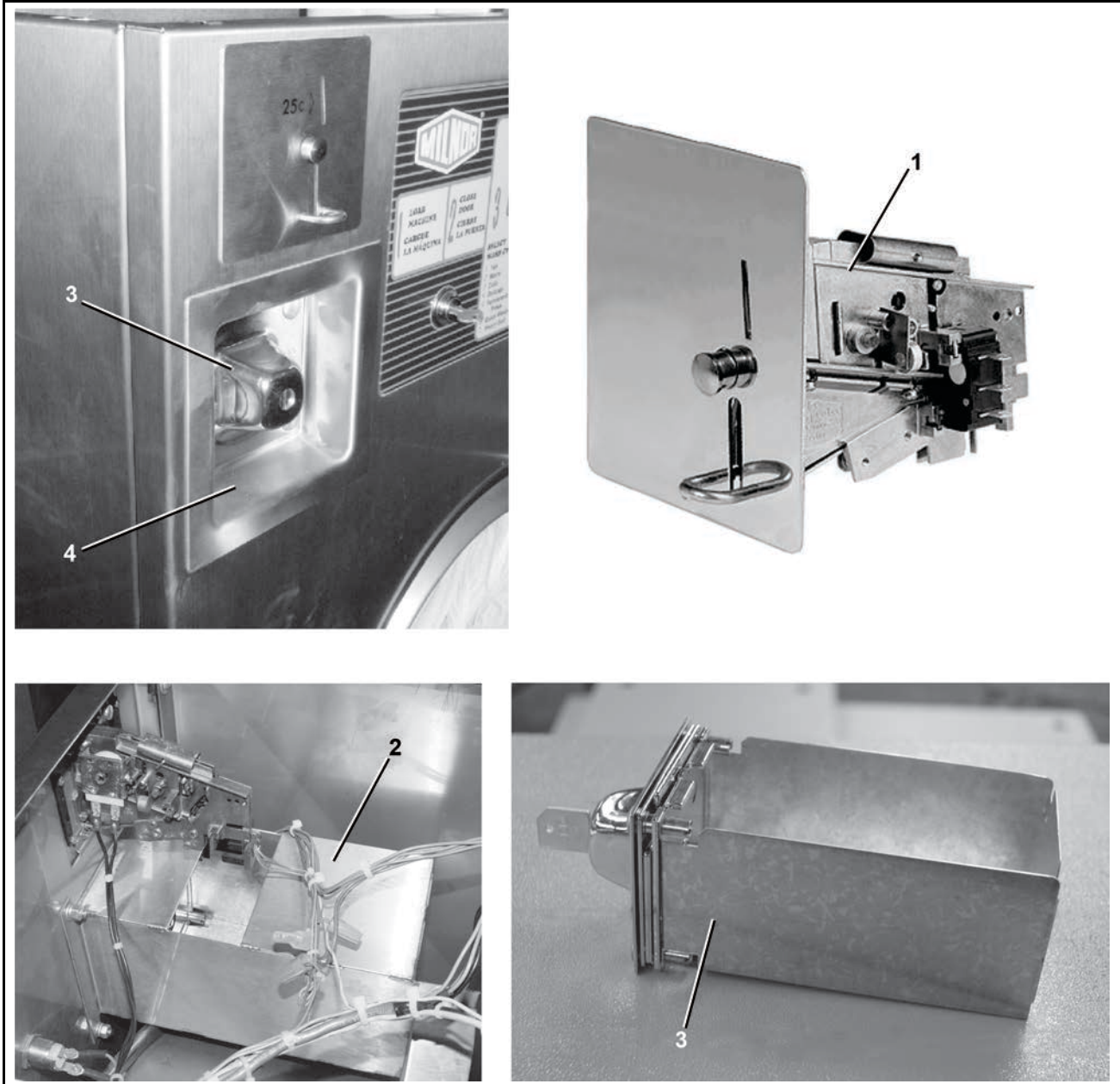
BPWCAZ01 / 2022036

BPWCAZ01.1 0000403001 C.2 A.5 1/14/22, 12:47 PM Released

# Coin Acceptor and Vault

2 Sheets

MCR12E5, MCT16E5, MCT18E4, MCT27E5, MCR36E4



**Coin Acceptor and Vault**

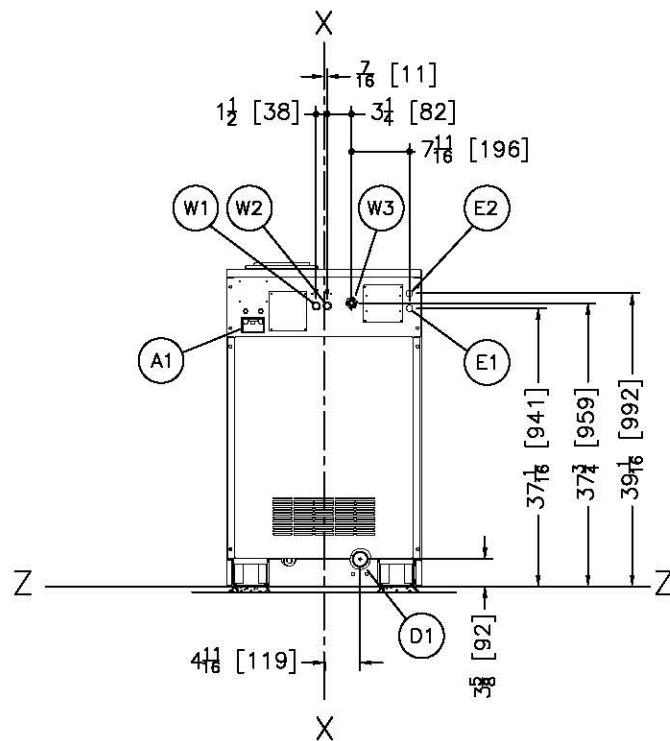
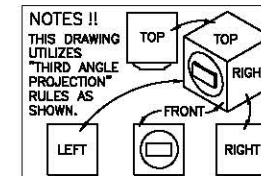
2 Sheets

MCR12E5, MCT16E5, MCT18E4, MCT27E5, MCR36E4

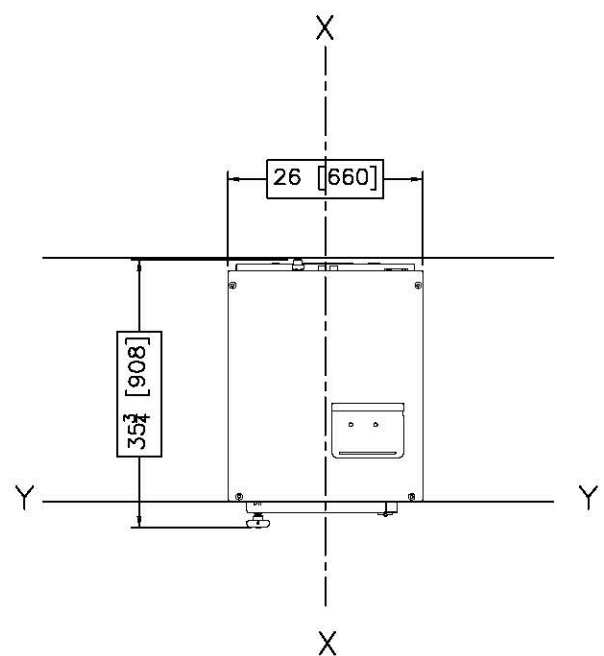
**Table 33. Parts List—Coin Acceptor and Vault**

Find the assembly for your machine and the letter shown in the "Item" column. The components for your machine will show this letter or the word "all" in the "Used In" column. The numbers shown in the "Item" column are those shown in the illustrations.				
Used In	Item	Part Number	Description/Nomenclature	Comments
Reference Assemblies				
	A	GCM33002	COIN ASSY INSTALL 2314MCR09	
Components				
all	1	38C085	REJ.W/LOCK-MECH 230V CASTIC	
all	2	W3 40029	2314MCR09 COIN VAULT WELD	
all	3	38C152KI	COIN LOC BX KEY-INDV.#71942-XD	KEYED INDIVIDUALLY
all	3	38C152KA	COIN LOC BX#71942-XD KEY-ALIKE	KEYED ALIKE
all	4	03 40029B	BEZZLE COIN VAULT	

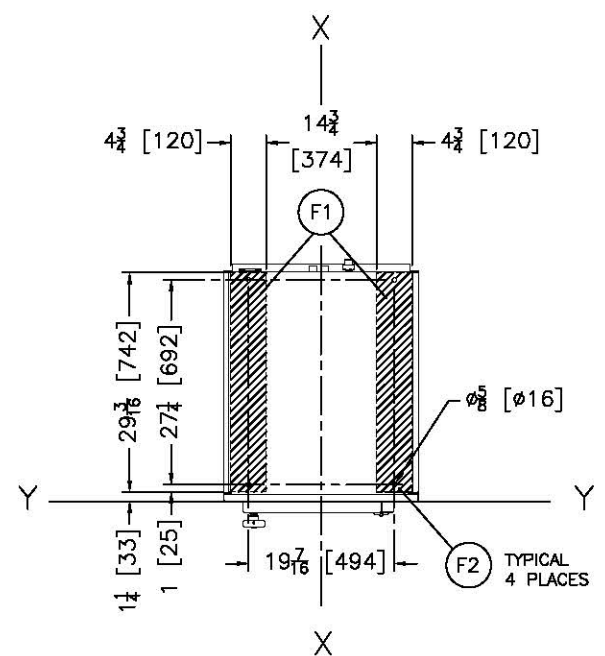
# 9 Dimensional Drawings



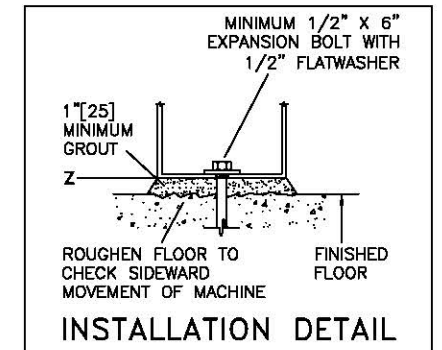
REAR VIEW



PLAN VIEW

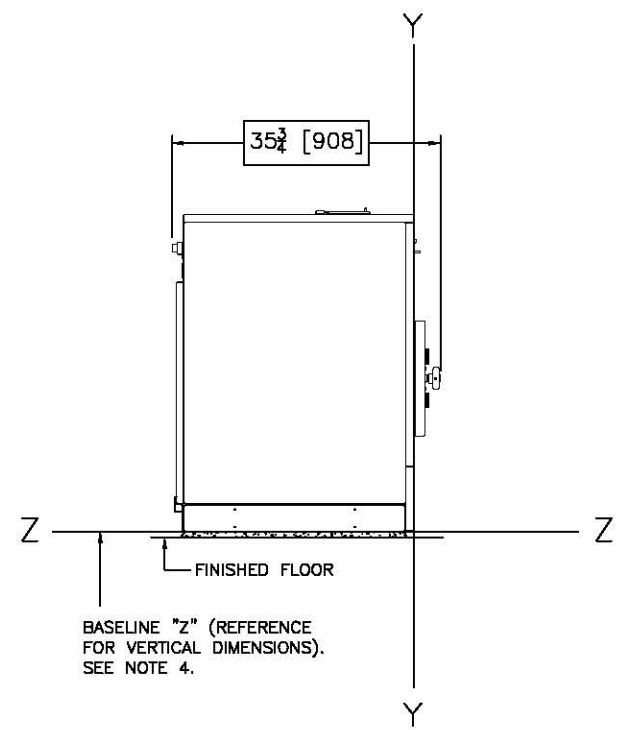


FOUNDATION PLAN

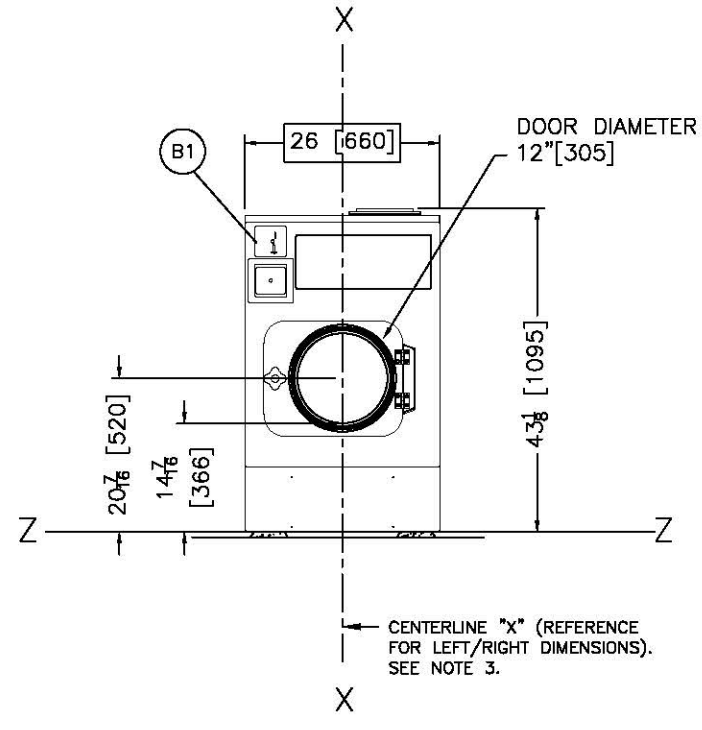


INSTALLATION DETAIL

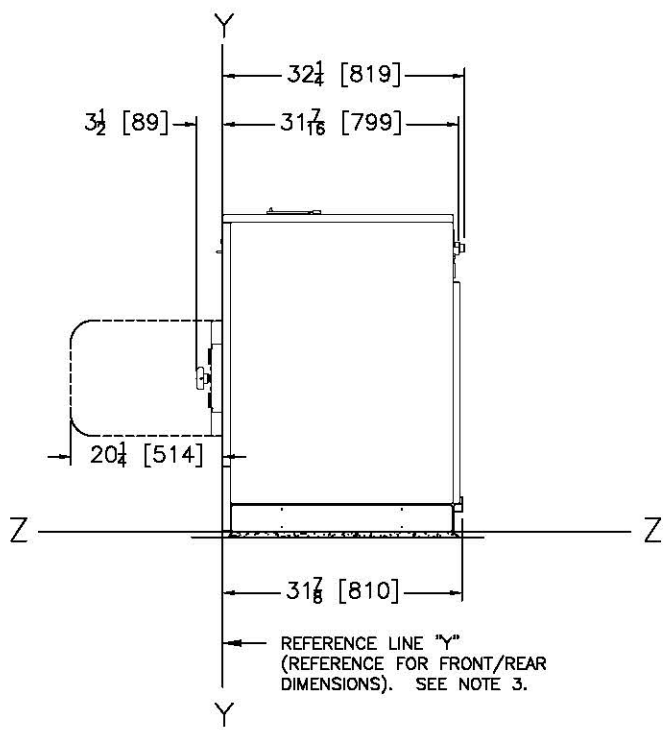
W3	HOT WATER FOR SOAP CHUTE INLET, 3/4" GARDEN HOSE CONNECTION WITH 1/2" HOSE
W2	HOT WATER INLET, 3/4" GARDEN HOSE
W1	COLD WATER INLET, 3/4" GARDEN HOSE
L1	SOAP CHUTE
F2	(4) 5/8" [16] ANCHOR BOLT HOLES, USE 1/2" X 6" BOLTS MINIMUM.
F1	FOUNDATION BASE PADS
E2	ELECTRICAL CHEMICAL OUTPUTS
E1	MAIN ELECTRICAL CONNECTION
D1	DRAIN 2" ID HOSE CONNECTION
B1	COIN ACCEPTOR, MCR12E5 ONLY
A1	VACUUM BREAKER, NO CONNECTION
ITEM	LEGEND



LEFT VIEW



FRONT VIEW



RIGHT VIEW

**NOTES**

7 SHIM TO LEVEL THE MACHINE AND ALLOW FOR 1" [25] MINIMUM GROUT. ANCHOR ALL (4) ANCHOR BOLT HOLES, OR THE WARRANTY WILL BE DECLARED INVALID. USE 1/2" X 6" BOLTS, MINIMUM. SEE INSTALLATION MAINTENANCE MANUAL FOR FURTHER INSTRUCTIONS.

8 AS OF THIS WRITING, THE MINIMUM CLEARANCE REQUIRED BY U.S. NATIONAL ELECTRIC CODES, FROM ELECTRIC BOX TO ANY OBJECT IS:  
 36 [914] IF OBJECT IS AN UNGROUNDED (INSULATED) WALL  
 42 [1067] IF OBJECT IS A GROUNDED WALL (e.g. BARE CONCRETE, BRICK, ETC.)  
 48 [1219] IF OBJECT IS ANY LIVE PART.  
 CHECK LOCAL ELECTRIC CODES FOR FURTHER RESTRICTIONS.

5 CUSTOMER TO SUPPLY CIRCUIT BREAKER OR FUSED BRANCH CIRCUIT DISCONNECT (SAFETY) SWITCHES WITH LAG TYPE FUSES FROM POWER SOURCE TO MACHINE. A SEPARATE GROUND WIRE MUST BE CONNECTED FROM DISCONNECT TO EQUIPMENT.

4 BASELINE "Z" IS THE REFERENCE FOR ALL VERTICAL DIMENSIONS. ON MACHINES WITH FIXED BASE PADS, BASELINE "Z" CORRESPONDS TO THE BOTTOM OF THE BASE PAD. ON MACHINES WITH ADJUSTABLE FEET, BASELINE "Z" CORRESPONDS TO THE BOTTOM OF THE FEET WHEN ADJUSTED SO THAT THE MACHINE IS AT ITS MINIMUM ACCEPTABLE HEIGHT. ON TRAVELING SHUTTLES, BASELINE "Z" CORRESPONDS TO THE BOTTOM OF THE BOTTOM RAIL. THE DISTANCE BETWEEN BASELINE "Z" AND THE FINISHED FLOOR WILL VARY AS REQUIRED TO ENSURE BASELINE "Z" IS HORIZONTAL AND ANY INTERFACING MACHINES REQUIRING GROUT ARE SET ON A MINIMUM 1" [25] THICK GROUT BED.

3 USE REFERENCE LINES "X", "Y", AND "Z" TO LOCATE ALL SERVICE CONNECTIONS.

2 NUMBERS IN BRACKETS [ ] DENOTE DIMENSIONS IN MILLIMETERS.

1 ALL DIMENSIONS SHOWN ARE APPROXIMATE, SUBJECT TO NORMAL MANUFACTURING TOLERANCES, AND TO OCCASIONAL CHANGES WITHOUT NOTICE THROUGH REDESIGN AND/OR RELOCATION OF COMPONENTS, ETC. DO NOT USE FOR CONSTRUCTION UNLESS CERTIFIED, AND IN NO EVENT PRE-PIPE CLOSER THAN FIVE FEET FROM MACHINE. FACTORY MUST BE CONSULTED FOR DIMENSIONS IF MACHINE IS TO BE MOVED THROUGH NARROW OR LOW CORRIDORS OR OPENINGS.

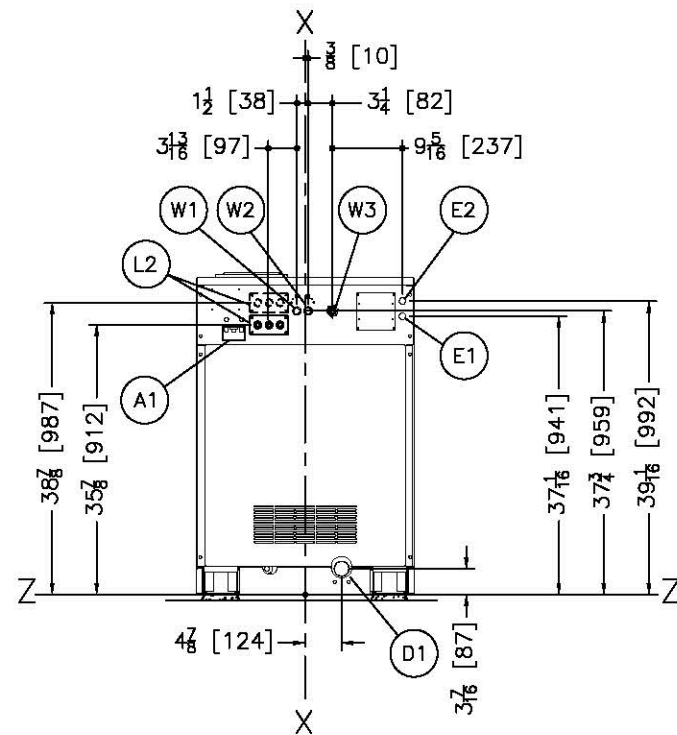
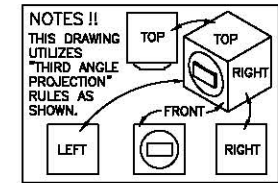
**ATTENTION**  
 MOST REGULATORY AUTHORITIES (INCLUDING OSHA IN THE USA) HOLD THE OWNER/USER ULTIMATELY RESPONSIBLE TO MAINTAIN A SAFE WORKING ENVIRONMENT. ACCORDINGLY, THE OWNER/USER MUST RECOGNIZE ALL FORESEEABLE SAFETY HAZARDS, FURNISH SAFETY INSTRUCTIONS AND GUIDANCE TO ALL PERSONNEL WHO MAY COME IN CONTACT WITH THE INSTALLATION, AND PROVIDE ALL NECESSARY ADDITIONAL SAFETY GUARDS, FENCES, RESTRAINTS, DEVICES, ETC., NOT FURNISHED BY THE EQUIPMENT MANUFACTURER OR VENDOR.

**ATTENTION**  
 THE FLOOR AND/OR OTHER SUPPORT COMPONENTS MUST HAVE SUFFICIENT STRENGTH (AND RIGIDITY WITH DUE CONSIDERATION FOR NATURAL OR RESONANT FREQUENCY THEREOF) TO WITHSTAND THE FULLY LOADED WEIGHT OF THE MACHINE INCLUDING THE GOODS, THE WATER, AND ANY REPEATED SINUSOIDAL (ROTATING) FORCES GENERATED DURING ITS OPERATION. WRITE THE FACTORY FOR ADDITIONAL MACHINE DATA FOR USE BY A COMPETENT SOIL AND/OR STRUCTURAL ENGINEER.

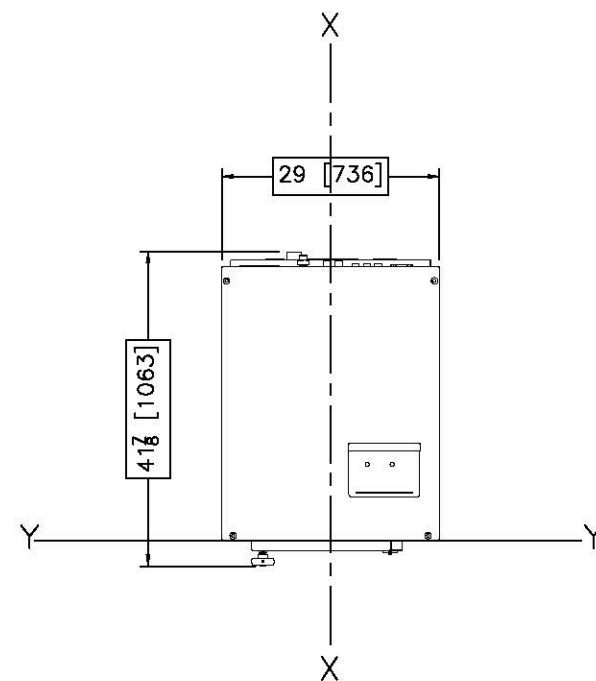
**MCR12E5**

DWG# BDMCR12EAE  
 2019455D

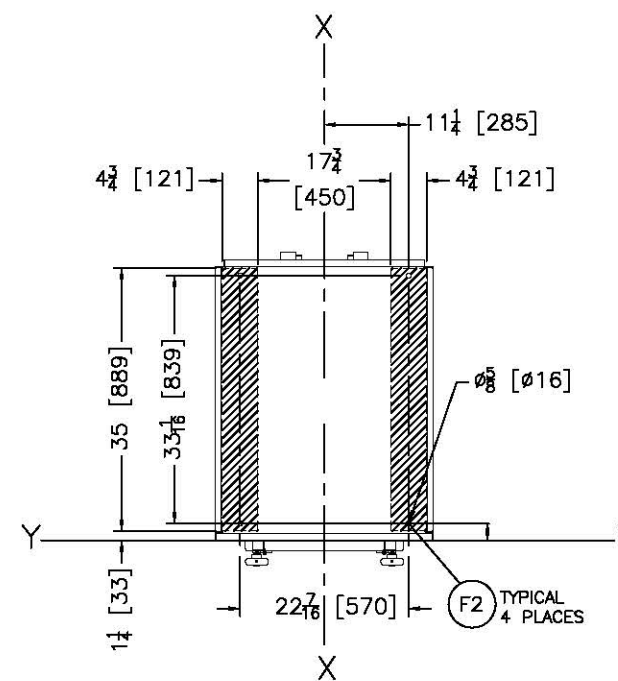
**PELLERIN MILNOR CORPORATION**  
 P.O. Box 400 Kenner, LA 70063, USA, Phone 504/467-8581,  
 FAX 504/469-1849, Email: milnorinfo@milnor.com



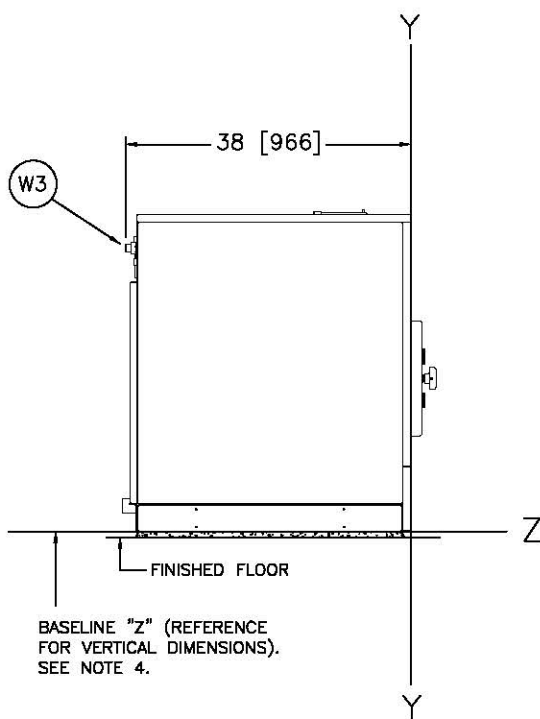
REAR VIEW



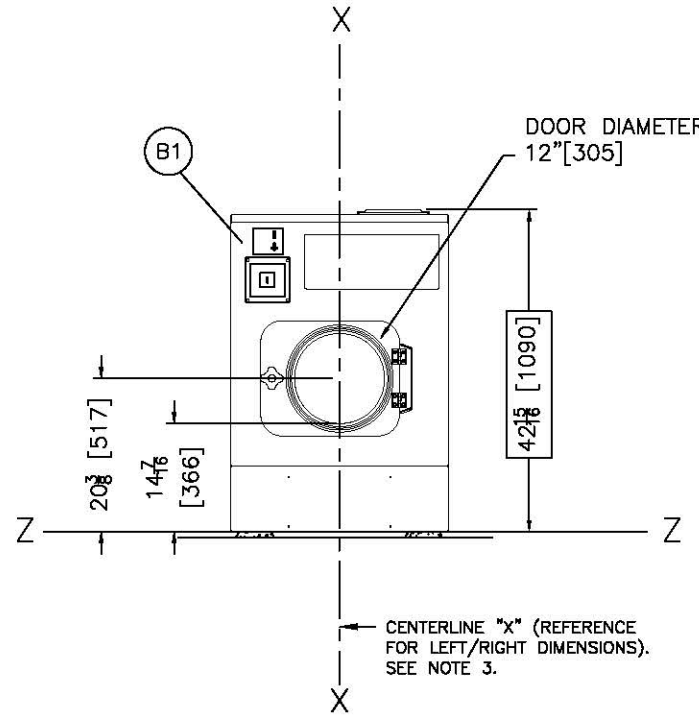
PLAN VIEW



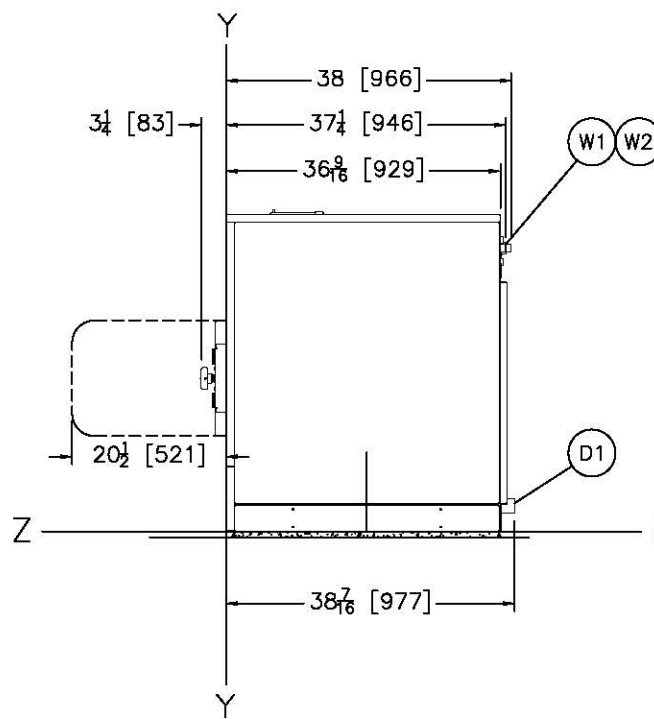
FOUNDATION PLAN



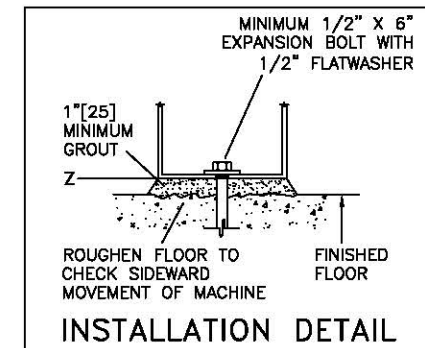
LEFT VIEW



FRONT VIEW



RIGHT VIEW



W3	HOT WATER FOR SOAP CHUTE INLET, 3/4" GARDEN HOSE CONNECTION WITH 1/2" HOSE
W2	HOT WATER INLET, 3/4" GARDEN HOSE
W1	COLD WATER INLET, 3/4" GARDEN HOSE
L2	PERISTALTIC CHEMICAL INLETS: MCR16E5 (0 PORTS), MWR16E5 (3 PORTS), MWR16X5 (5 PORTS), MWR16J5 (5 PORTS)
L1	SOAP CHUTE
F2	(4) 5/8" ANCHOR BOLT HOLES, USE 1/2" X 6" BOLTS MINIMUM.
F1	FOUNDATION BASE PADS
E2	ELECTRICAL CHEMICAL OUTPUTS
E1	MAIN ELECTRICAL CONNECTION
D1	DRAIN 2" ID HOSE CONNECTION
B1	COIN ACCEPTOR, MCR16E5 ONLY
A1	VACUUM BREAKER, NO CONNECTION
ITEM	LEGEND

**NOTES**

7 SHIM TO LEVEL THE MACHINE AND ALLOW FOR 1" [25] MINIMUM GROUT. ANCHOR ALL (4) ANCHOR BOLT HOLES, OR THE WARRANTY WILL BE DECLARED INVALID. USE 1/2" X 6" BOLTS, MINIMUM. SEE INSTALLATION MAINTENANCE MANUAL FOR FURTHER INSTRUCTIONS.

8 AS OF THIS WRITING, THE MINIMUM CLEARANCE REQUIRED BY U.S. NATIONAL ELECTRIC CODES, FROM ELECTRIC BOX TO ANY OBJECT IS:  
 36 [914] IF OBJECT IS AN UNGROUNDED (INSULATED) WALL.  
 42 [1067] IF OBJECT IS A GROUNDED WALL (i.e. BARE CONCRETE, BRICK, ETC.).  
 48 [1219] IF OBJECT IS ANY LIVE PART.  
 CHECK LOCAL ELECTRIC CODES FOR FURTHER RESTRICTIONS.

5 CUSTOMER TO SUPPLY CIRCUIT BREAKER OR FUSED BRANCH CIRCUIT DISCONNECT (SAFETY) SWITCHES WITH LAG TYPE FUSES FROM POWER SOURCE TO MACHINE. A SEPARATE GROUND WIRE MUST BE CONNECTED FROM DISCONNECT TO EQUIPMENT.

4 BASELINE "z" IS THE REFERENCE FOR ALL VERTICAL DIMENSIONS. ON MACHINES WITH FIXED BASE PADS, BASELINE "z" CORRESPONDS TO THE BOTTOM OF THE BASE PAD. ON MACHINES WITH ADJUSTABLE FEET, BASELINE "z" CORRESPONDS TO THE BOTTOM OF THE FEET WHEN ADJUSTED SO THAT THE MACHINE IS AT ITS MINIMUM ACCEPTABLE HEIGHT. ON TRAVELING SHUTTLES, BASELINE "z" CORRESPONDS TO THE BOTTOM OF THE BOTTOM RAIL. THE DISTANCE BETWEEN BASELINE "z" AND THE FINISHED FLOOR WILL VARY AS REQUIRED TO ENSURE BASELINE "z" IS HORIZONTAL AND ANY INTERFACING MACHINES REQUIRING GROUT ARE SET ON A MINIMUM 1" [25] THICK GROUT BED.

3 USE REFERENCE LINES "x", "y", AND "z" TO LOCATE ALL SERVICE CONNECTIONS.

2 NUMBERS IN BRACKETS [ ] DENOTE DIMENSIONS IN MILLIMETERS.

1 ALL DIMENSIONS SHOWN ARE APPROXIMATE, SUBJECT TO NORMAL MANUFACTURING TOLERANCES, AND TO OCCASIONAL CHANGES WITHOUT NOTICE THROUGH REDESIGN AND/OR RELOCATION OF COMPONENTS, ETC. DO NOT USE FOR CONSTRUCTION UNLESS CERTIFIED, AND IN NO EVENT FREE-PIPE CLOSER THAN FIVE FEET FROM MACHINE. FACTORY MUST BE CONSULTED FOR DIMENSIONS IF MACHINE IS TO BE MOVED THROUGH NARROW OR LOW CORRIDORS OR OPENINGS.

**ATTENTION**  
 MOST REGULATORY AUTHORITIES (INCLUDING OSHA IN THE USA) HOLD THE OWNER/USER ULTIMATELY RESPONSIBLE TO MAINTAIN A SAFE WORKING ENVIRONMENT. ACCORDINGLY, THE OWNER/USER MUST RECOGNIZE ALL FORESEEABLE SAFETY HAZARDS, FURNISH SAFETY INSTRUCTIONS AND GUIDANCE TO ALL PERSONNEL WHO MAY COME IN CONTACT WITH THE INSTALLATION, AND PROVIDE ALL NECESSARY ADDITIONAL SAFETY GUARDS, FENCES, RESTRAINTS, DEVICES, ETC., NOT FURNISHED BY THE EQUIPMENT MANUFACTURER OR VENDOR.

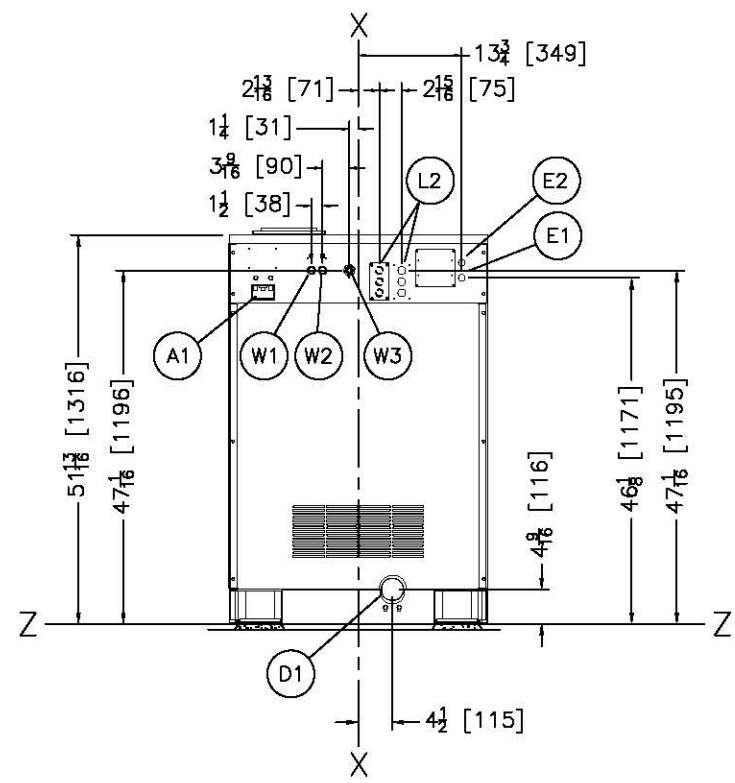
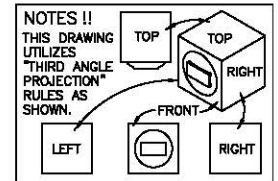
**ATTENTION**  
 THE FLOOR AND/OR OTHER SUPPORT COMPONENTS MUST HAVE SUFFICIENT STRENGTH (AND RIGIDITY WITH DUE CONSIDERATION FOR NATURAL OR RESONANT FREQUENCY THEREOF) TO WITHSTAND THE FULLY LOADED WEIGHT OF THE MACHINE INCLUDING THE GOODS, THE WATER, AND ANY REPEATED SINUSOIDAL (ROTATING) FORCES GENERATED DURING ITS OPERATION. WRITE THE FACTORY FOR ADDITIONAL MACHINE DATA FOR USE BY A COMPETENT SOIL AND/OR STRUCTURAL ENGINEER.

MCR16E5, MWR16E5, MWR16X5, MWR16J5

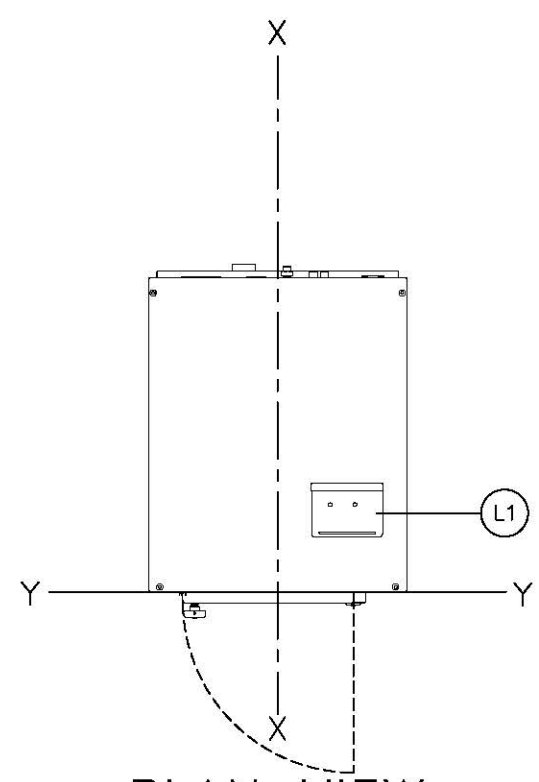
DM 0 0.5M DWG# BDMCR16EAE 2014304D

INCHES 0 12 24

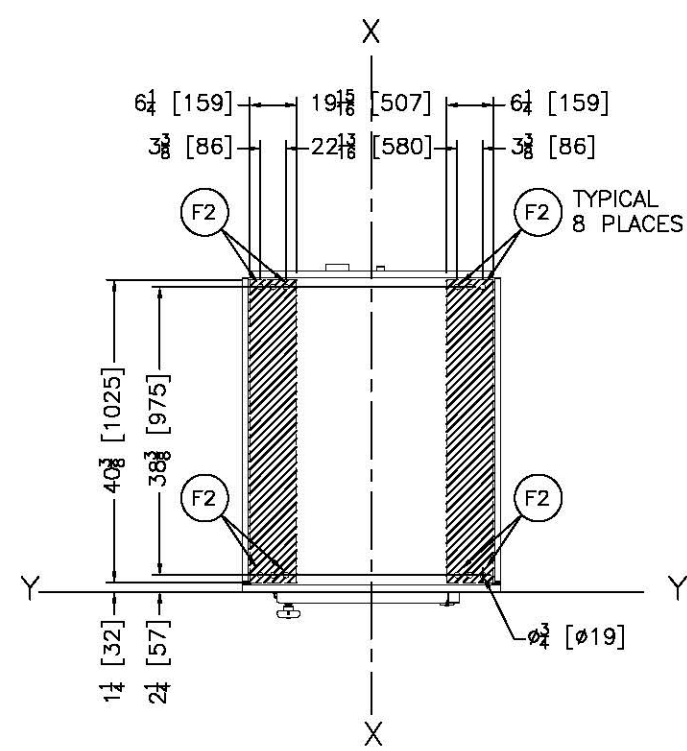
**MILNOR** PELLERIN MILNOR CORPORATION  
 P.O. Box 400 Kenner, LA 70063, USA, Phone 504/487-9581, FAX 504/489-1848, Email: milnorinfo@milnor.com



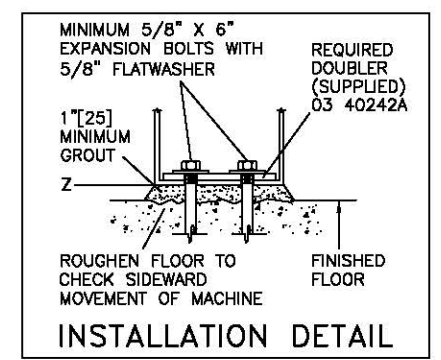
REAR VIEW



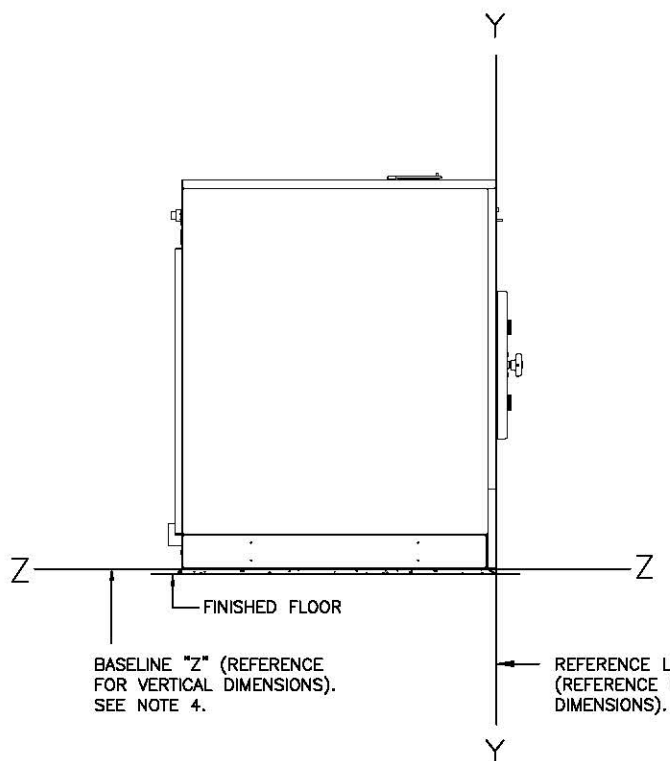
PLAN VIEW



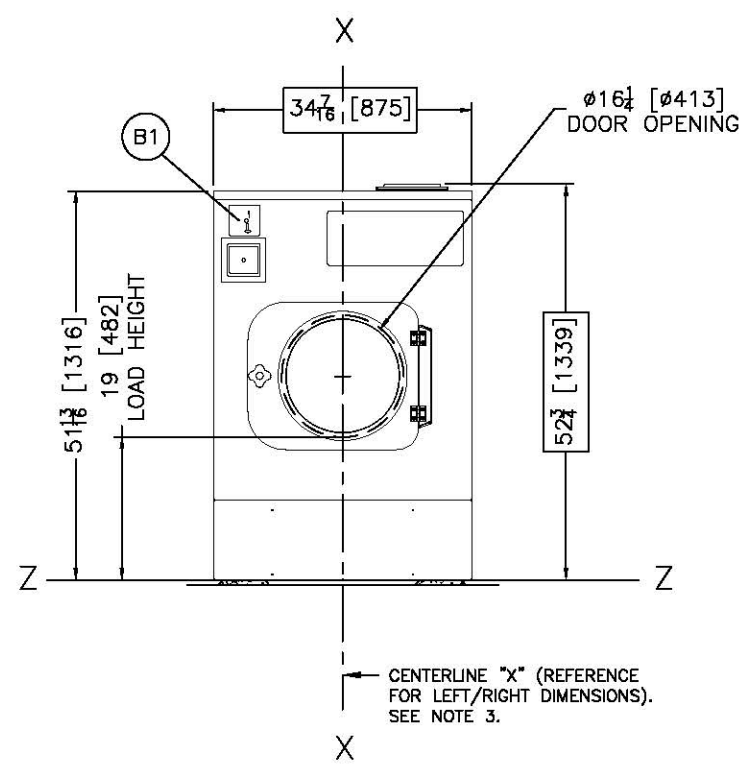
FOUNDATION PLAN



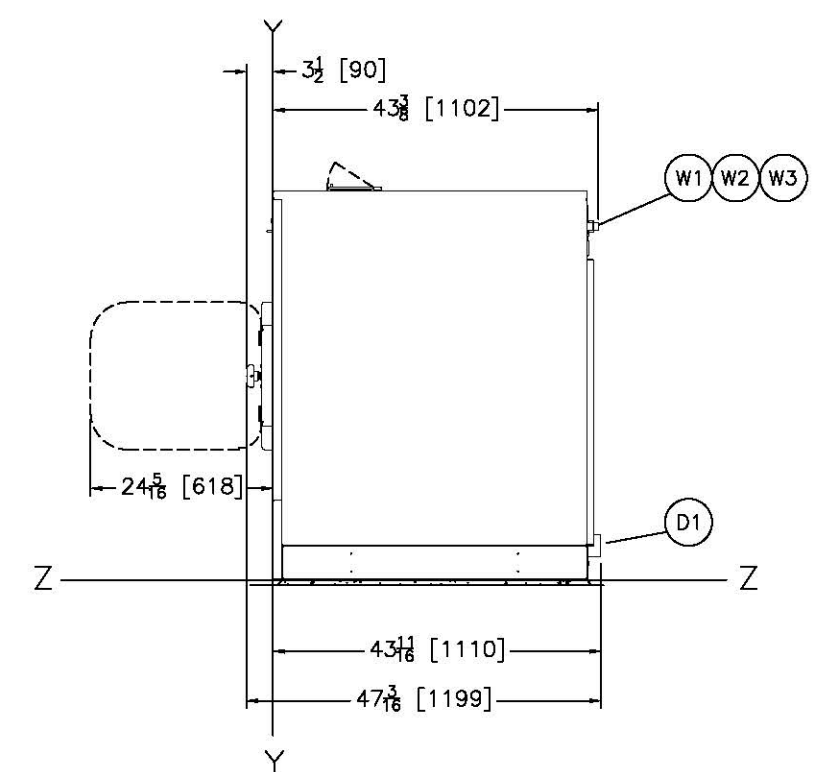
W3	HOT WATER FOR SOAP CHUTE INLET, 3/4" GARDEN HOSE CONNECTION WITH 1/2" HOSE
W2	HOT WATER INLET, 3/4" GARDEN HOSE
W1	COLD WATER INLET, 3/4" GARDEN HOSE
L2	PERISTALTIC CHEMICAL INLETS: MCR18E4 (0 PORTS), MWR18E4 (3 PORTS), MWR18X4 (5 PORTS), MWR18J4 (5 PORTS)
L1	SOAP CHUTE
F2	(8) 3/4" ANCHOR BOLT HOLES, USE 5/8" X 6" BOLTS
	MINIMUM
F1	FOUNDATION BASE PADS
E2	ELECTRICAL CHEMICAL OUTPUTS
E1	MAIN ELECTRICAL CONNECTION
D1	DRAIN 3" ID HOSE CONNECTION
B1	COIN ACCEPTOR, MCR18E4 ONLY
A1	VACUUM BREAKER, NO CONNECTION
ITEM	LEGEND



LEFT VIEW



FRONT VIEW



RIGHT VIEW

**NOTES**

- SHIM TO LEVEL THE MACHINE AND ALLOW FOR 1" [25] MINIMUM GROUT. ANCHOR ALL (8) ANCHOR BOLT HOLES, OR THE WARRANTY WILL BE DECLARED INVALID. USE 5/8" X 6" BOLTS, MINIMUM, WITH DOUBLER BOLT DOWN PLATES (SUPPLIED). SEE INSTALLATION MAINTENANCE MANUAL FOR FURTHER INSTRUCTIONS.
- AS OF THIS WRITING, THE MINIMUM CLEARANCE REQUIRED BY U.S. NATIONAL ELECTRIC CODES, FROM ELECTRIC BOX TO ANY OBJECT IS:
  - 36 [914] IF OBJECT IS AN UNGROUNDED (INSULATED) WALL
  - 42 [1067] IF OBJECT IS A GROUNDED WALL (e.g. BARE CONCRETE, BRICK, ETC.)
  - 48 [1219] IF OBJECT IS ANY LIVE PART.
 CHECK LOCAL ELECTRIC CODES FOR FURTHER RESTRICTIONS.
- CUSTOMER TO SUPPLY CIRCUIT BREAKER OR FUSED BRANCH CIRCUIT DISCONNECT (SAFETY) SWITCHES WITH LAG TYPE FUSES FROM POWER SOURCE TO MACHINE. A SEPARATE GROUND WIRE MUST BE CONNECTED FROM DISCONNECT TO EQUIPMENT.
- BASELINE "Z" IS THE REFERENCE FOR ALL VERTICAL DIMENSIONS. ON MACHINES WITH FIXED BASE PADS, BASELINE "Z" CORRESPONDS TO THE BOTTOM OF THE BASE PAD. ON MACHINES WITH ADJUSTABLE FEET, BASELINE "Z" CORRESPONDS TO THE BOTTOM OF THE FEET WHEN ADJUSTED SO THAT THE MACHINE IS AT ITS MINIMUM ACCEPTABLE HEIGHT. ON TRAVELING SHUTTLES, BASELINE "Z" CORRESPONDS TO THE BOTTOM OF THE BOTTOM RAIL. THE DISTANCE BETWEEN BASELINE "Z" AND THE FINISHED FLOOR WILL VARY AS REQUIRED TO ENSURE BASELINE "Z" IS HORIZONTAL AND ANY INTERFACING MACHINES REQUIRING GROUT ARE SET ON A MINIMUM 1" [25] THICK GROUT BED.
- USE REFERENCE LINES "X", "Y", AND "Z" TO LOCATE ALL SERVICE CONNECTIONS.
- NUMBERS IN BRACKETS [ ] DENOTE DIMENSIONS IN MILLIMETERS.
- ALL DIMENSIONS SHOWN ARE APPROXIMATE, SUBJECT TO NORMAL MANUFACTURING TOLERANCES, AND TO OCCASIONAL CHANGES THROUGHOUT NOTICE THROUGH REDESIGN AND/OR RELOCATION OF COMPONENTS, ETC. DO NOT USE FOR CONSTRUCTION UNLESS CERTIFIED, AND IN NO EVENT PRE-PIPE CLOSER THAN FIVE FEET FROM MACHINE. FACTORY MUST BE CONSULTED FOR DIMENSIONS IF MACHINE IS TO BE MOVED THROUGH NARROW OR LOW CORRIDORS OR OPENINGS.

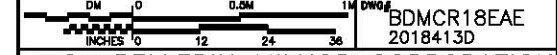
**ATTENTION**

MOST REGULATORY AUTHORITIES (INCLUDING OSHA IN THE USA) HOLD THE OWNER/USER ULTIMATELY RESPONSIBLE TO MAINTAIN A SAFE WORKING ENVIRONMENT. ACCORDINGLY, THE OWNER/USER MUST RECOGNIZE ALL FORESEEABLE SAFETY HAZARDS, FURNISH SAFETY INSTRUCTIONS AND GUIDANCE TO ALL PERSONNEL WHO MAY COME IN CONTACT WITH THE INSTALLATION, AND PROVIDE ALL NECESSARY ADDITIONAL SAFETY GUARDS, FENCES, RESTRAINTS, DEVICES, ETC., NOT FURNISHED BY THE EQUIPMENT MANUFACTURER OR VENDOR.

**ATTENTION**

THE FLOOR AND/OR OTHER SUPPORT COMPONENTS MUST HAVE SUFFICIENT STRENGTH (AND RIGIDITY WITH DUE CONSIDERATION FOR NATURAL OR RESONANT FREQUENCY THEREOF) TO WITHSTAND THE FULLY LOADED WEIGHT OF THE MACHINE INCLUDING THE GOODS, THE WATER, AND ANY REPEATED SINUSOIDAL (ROTATING) FORCES GENERATED DURING ITS OPERATION. WRITE THE FACTORY FOR ADDITIONAL MACHINE DATA FOR USE BY A COMPETENT SOIL AND/OR STRUCTURAL ENGINEER.

MCR18E4, MWR18E4, MWR18X4, MWR18J6



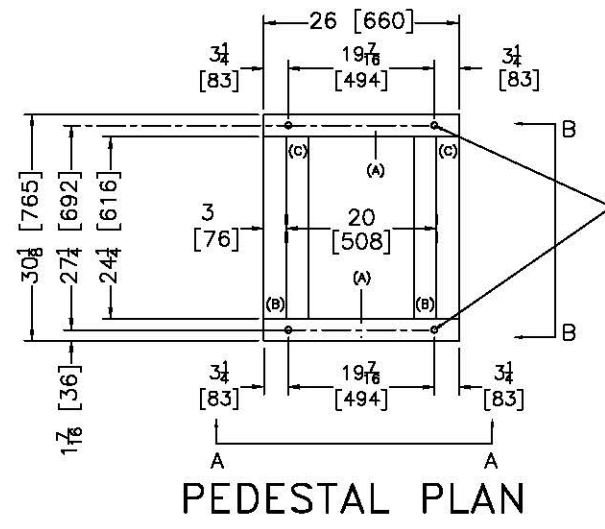
BDMCR18EAE  
2018413D  
MILNOR PELLERIN MILNOR CORPORATION  
P.O. Box 400 Kenner, LA 70063, USA, Phone 504/467-8581, FAX 504/469-1849, Email: milnorinfo@milnor.com

This page intentionally blank

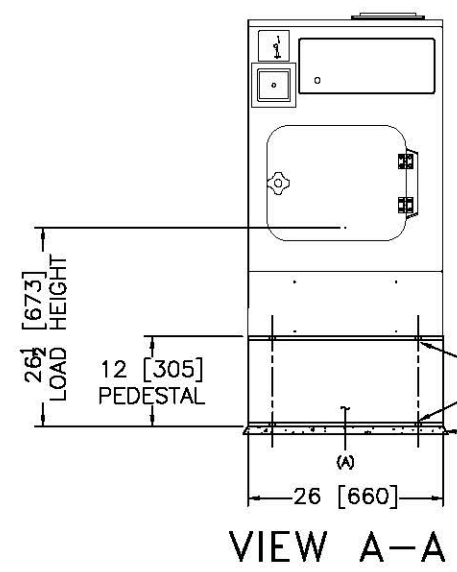
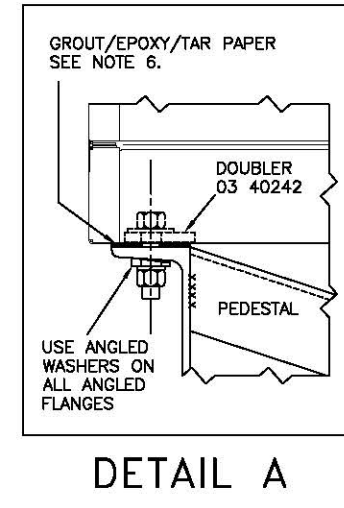
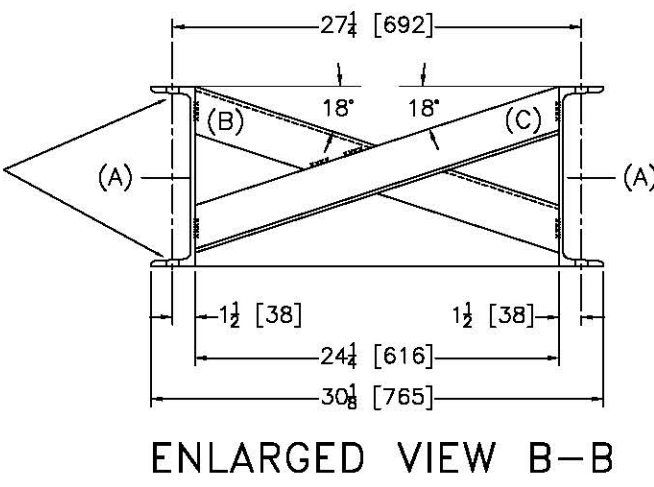


# 10 Dimensional Drawings — Pedestals

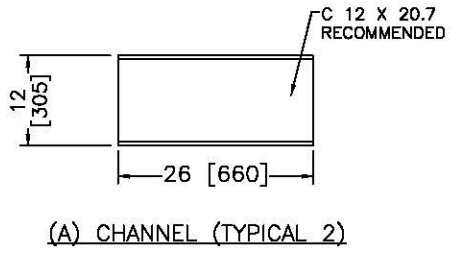
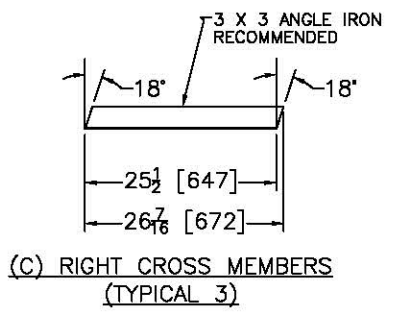
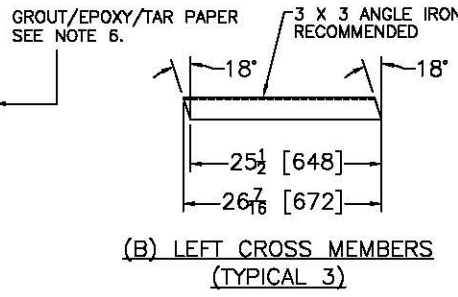
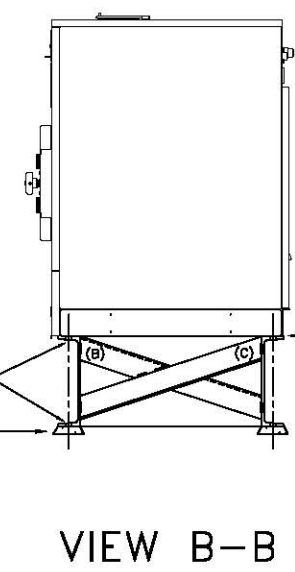
This page intentionally blank



ANCHOR BOLT HOLES  
13/16" DIA. DRILL IN TOP  
AND BOTTOM FLANGES  
OF CHANNEL (8 PLACES)  
ANGLED WASHERS MUST  
BE USED AS DRAWN  
SEE DETAIL A.



ANGLED WASHERS MUST  
BE USED AS DRAWN  
SEE DETAIL A.  
ANCHOR BOLT HOLES  
13/16" DIA. DRILL IN TOP  
AND BOTTOM FLANGES  
OF CHANNEL (8 PLACES)

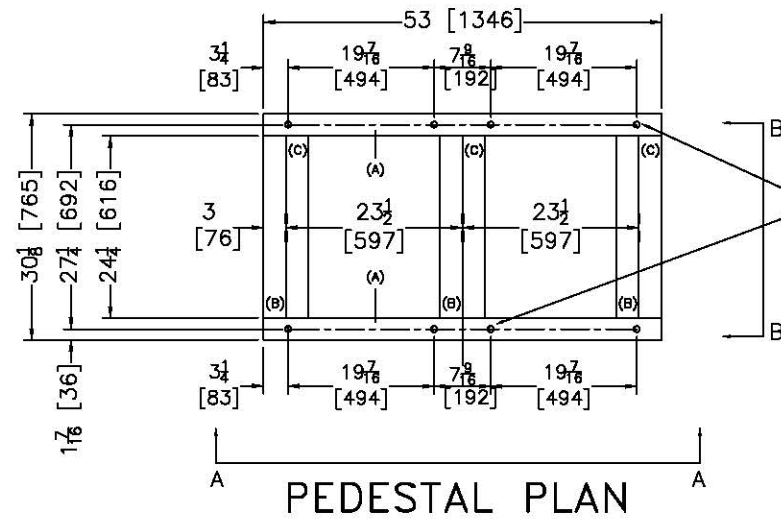


- NOTES**
- 6 GROUT OR EPOXY OR USE TAR PAPER, BETWEEN MACHINE AND PEDESTAL BASE, TO ENSURE A TIGHT UNIFORM FIT.
  - 5 THIS DRAWING SHOWS A RECOMMENDED PEDESTAL DESIGN FOR (1) MILNOR MICROBES COIN MACHINE. THIS BASE MAY BE USED WHENEVER LOCAL CONDITIONS ARE SUCH THAT MACHINE OPERATION WOULD BE ENHANCED BY RAISING THE MACHINES 12 [305] INCHES.
  - 4 IF MACHINE IS TO BE BOLTED TO PEDESTAL BASE, BOLT HOLES IN PEDESTAL TOP FLANGE SHOULD BE LOCATED AND DRILLED ONLY AFTER MACHINE IS ON SITE AND CAN BE USED AS A TEMPLATE FOR BOLT HOLE LOCATIONS. IF BASE IS TO BE BOLTED TO FOUNDATION, CUSTOMER MUST DETERMINE LOCATION OF BOLT HOLES IN BOTTOM FLANGE.
  - 3 WHEN INSTALLING MACHINE AND PEDESTAL BASE, IT IS RECOMMENDED TO LAY THE PEDESTAL ON A MINIMUM 1 [25] THICK GROUT BED AND BOLT THE MACHINE TO IT.
  - 2 THIS BASE MUST BE FABRICATED LOCALLY AND SHOULD BE MADE SQUARE AND LEVEL. IT IS NOT SUPPLIED BY PELLERIN MILNOR CORP. THIS DRAWING CONVEYS NO EXPRESS OR IMPLIED WARRANTY WITH REGARD TO THE CONSTRUCTION AND/OR SUITABILITY OF THIS ASSEMBLY.
  - 1 NUMBERS IN BRACKETS [ ] DENOTE DIMENSIONS IN MILLIMETERS.
- ATTENTION**  
MOST REGULATORY AUTHORITIES (INCLUDING OSHA IN THE USA) HOLD THE OWNER/USER ULTIMATELY RESPONSIBLE TO MAINTAIN A SAFE WORKING ENVIRONMENT. ACCORDINGLY, THE OWNER/USER MUST RECOGNIZE ALL FORESEEABLE SAFETY HAZARDS, FURNISH SAFETY INSTRUCTIONS AND GUIDANCE TO ALL PERSONNEL WHO MAY COME IN CONTACT WITH THE INSTALLATION, AND PROVIDE ALL NECESSARY ADDITIONAL SAFETY GUARDS, FENCES, RESTRAINTS, DEVICES, ETC., NOT FURNISHED BY THE EQUIPMENT MANUFACTURER OR VENDOR.
- ATTENTION**  
THE FLOOR AND/OR OTHER SUPPORT COMPONENTS MUST HAVE SUFFICIENT STRENGTH (AND RIGIDITY WITH DUE CONSIDERATION FOR NATURAL OR RESONANT FREQUENCY THEREOF) TO WITHSTAND THE FULLY LOADED WEIGHT OF THE MACHINE INCLUDING THE GOODS, THE WATER, AND ANY REPEATED SINUSOIDAL (ROTATING) FORCES GENERATED DURING ITS OPERATION. WRITE THE FACTORY FOR ADDITIONAL MACHINE DATA FOR USE BY A COMPETENT SOIL AND/OR STRUCTURAL ENGINEER.

**PEDESTAL FOR (1) MCR/MWR12E5**

DM 0 0.5M DWG# BDMCRBB1BE  
INCHES 0 12 24 2014304D

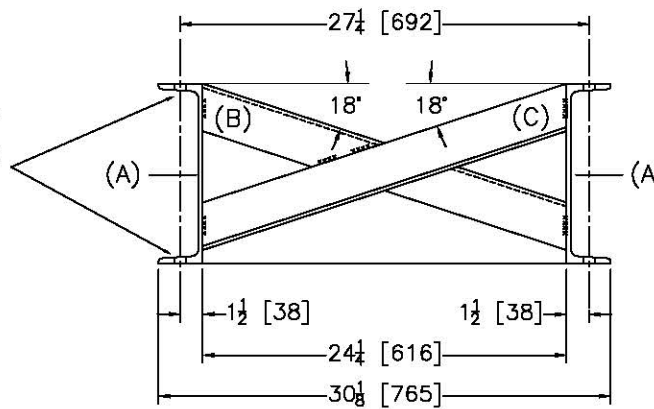
**PELLERIN MILNOR CORPORATION**  
P.O. Box 400 Kenner, LA 70063, USA, Phone 504/467-8581,  
FAX 504/469-1849, Email: mktg@milnor.com



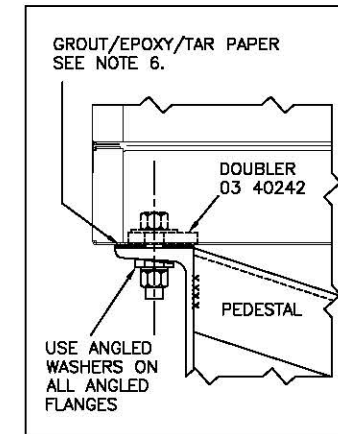
PEDESTAL PLAN

ANCHOR BOLT HOLES  
13/16" DIA. DRILL IN TOP  
AND BOTTOM FLANGES  
OF CHANNEL (16 PLACES)

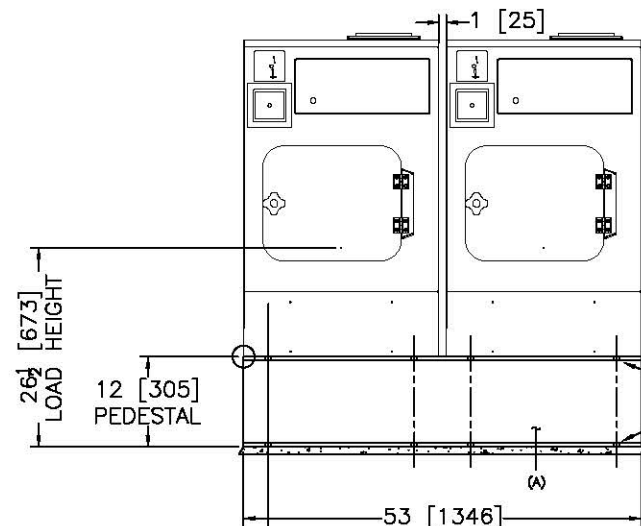
ANGLED WASHERS MUST  
BE USED AS DRAWN  
SEE DETAIL A.



ENLARGED VIEW B-B



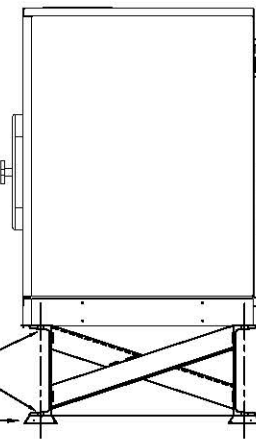
DETAIL A



VIEW A-A

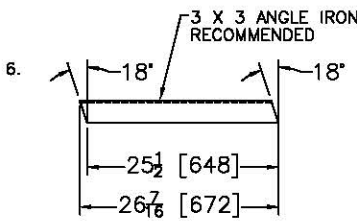
ANGLED WASHERS MUST  
BE USED AS DRAWN  
SEE DETAIL A.

ANCHOR BOLT HOLES  
13/16" DIA. DRILL IN TOP  
AND BOTTOM FLANGES  
OF CHANNEL (16 PLACES)

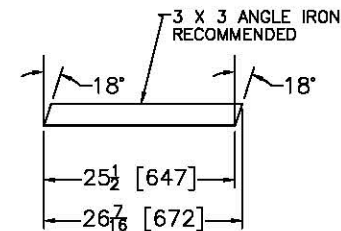


VIEW B-B

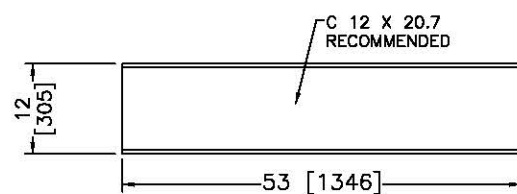
GROUT  
SEE NOTE 6.



(B) LEFT CROSS MEMBERS  
(TYPICAL 3)



(C) RIGHT CROSS MEMBERS  
(TYPICAL 3)



(A) CHANNEL (TYPICAL 2)

- NOTES**
- GROUT OR EPOXY OR USE TAR PAPER, BETWEEN MACHINE AND PEDESTAL BASE, TO ENSURE A TIGHT UNIFORM FIT.
  - THIS DRAWING SHOWS A RECOMMENDED PEDESTAL DESIGN FOR (2) ADJACENT MILNOR MICROBES COIN MACHINES. THIS BASE MAY BE USED WHENEVER LOCAL CONDITIONS ARE SUCH THAT MACHINE OPERATION WOULD BE ENHANCED BY RAISING THE MACHINES 12 [305] INCHES.
  - IF MACHINE IS TO BE BOLTED TO PEDESTAL BASE, BOLT HOLES IN PEDESTAL TOP FLANGE SHOULD BE LOCATED AND DRILLED ONLY AFTER MACHINE IS ON SITE AND CAN BE USED AS A TEMPLATE FOR BOLT HOLE LOCATIONS. IF BASE IS TO BE BOLTED TO FOUNDATION, CUSTOMER MUST DETERMINE LOCATION OF BOLT HOLES IN BOTTOM FLANGE.
  - WHEN INSTALLING MACHINE AND PEDESTAL BASE, IT IS RECOMMENDED TO LAY THE PEDESTAL ON A MINIMUM 1 [25] THICK GROUT BED AND BOLT THE MACHINE TO IT.
  - THIS BASE MUST BE FABRICATED LOCALLY AND SHOULD BE MADE SQUARE AND LEVEL. IT IS NOT SUPPLIED BY PELLERIN MILNOR CORP. THIS DRAWING CONVEYS NO EXPRESS OR IMPLIED WARRANTY WITH REGARD TO THE CONSTRUCTION AND/OR SUITABILITY OF THIS ASSEMBLY.
  - NUMBERS IN BRACKETS [ ] DENOTE DIMENSIONS IN MILLIMETERS.

**ATTENTION**

MOST REGULATORY AUTHORITIES (INCLUDING OSHA IN THE USA) HOLD THE OWNER/USER ULTIMATELY RESPONSIBLE TO MAINTAIN A SAFE WORKING ENVIRONMENT. ACCORDINGLY, THE OWNER/USER MUST RECOGNIZE ALL FORESEEABLE SAFETY HAZARDS, FURNISH SAFETY INSTRUCTIONS AND GUIDANCE TO ALL PERSONNEL WHO MAY COME IN CONTACT WITH THE INSTALLATION, AND PROVIDE ALL NECESSARY ADDITIONAL SAFETY GUARDS, FENCES, RESTRAINTS, DEVICES, ETC., NOT FURNISHED BY THE EQUIPMENT MANUFACTURER OR VENDOR.

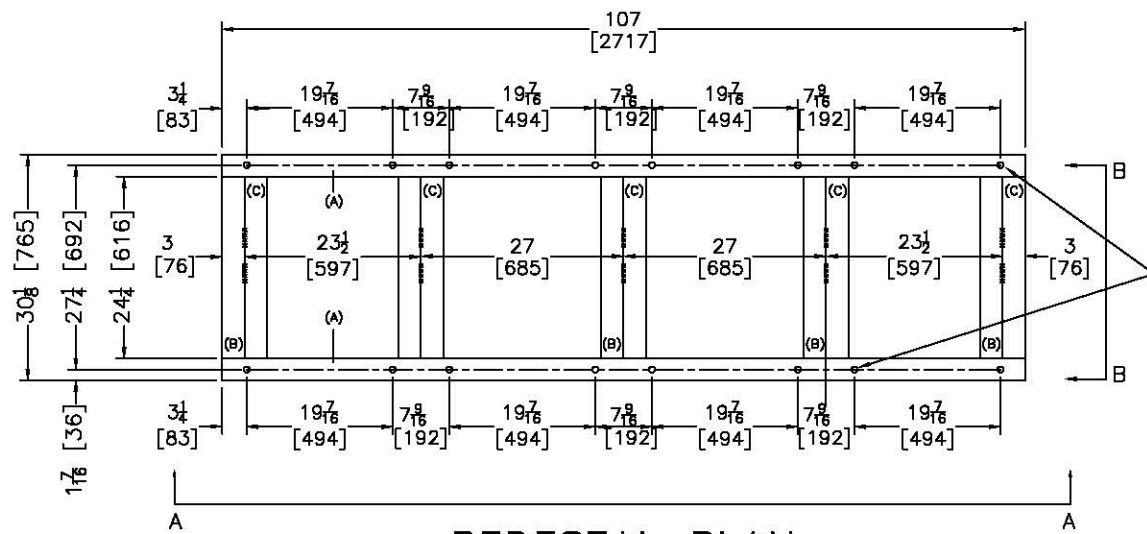
**ATTENTION**

THE FLOOR AND/OR OTHER SUPPORT COMPONENTS MUST HAVE SUFFICIENT STRENGTH (AND RIGIDITY WITH DUE CONSIDERATION FOR NATURAL OR RESONANT FREQUENCY THEREOF) TO WITHSTAND THE FULLY LOADED WEIGHT OF THE MACHINE INCLUDING THE GOODS, THE WATER, AND ANY REPEATED SINUSOIDAL (ROTATING) FORCES GENERATED DURING ITS OPERATION. WRITE THE FACTORY FOR ADDITIONAL MACHINE DATA FOR USE BY A COMPETENT SOIL AND/OR STRUCTURAL ENGINEER.

PEDESTAL FOR (2) MCR/MWR12E5

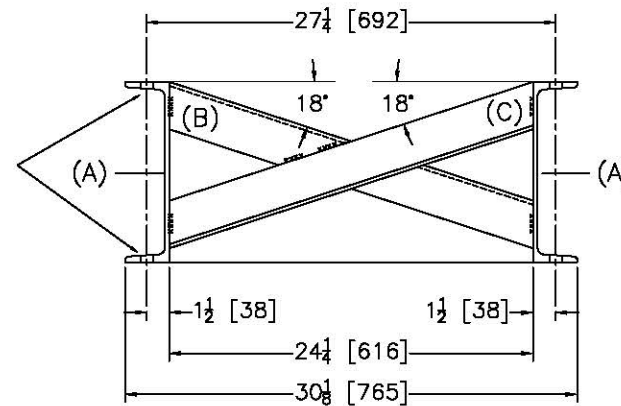
DM 0 0.5M DWG# BDMCRBB2BE  
INCHES 0 12 24 2014304D

**PELLERIN MILNOR CORPORATION**  
P.O. Box 400 Kenner, LA 70063, USA, Phone 504/467-8281,  
FAX 504/469-1849, Email: milnorinfo@milnor.com

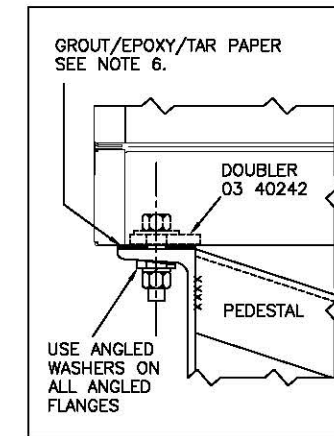


PEDESTAL PLAN

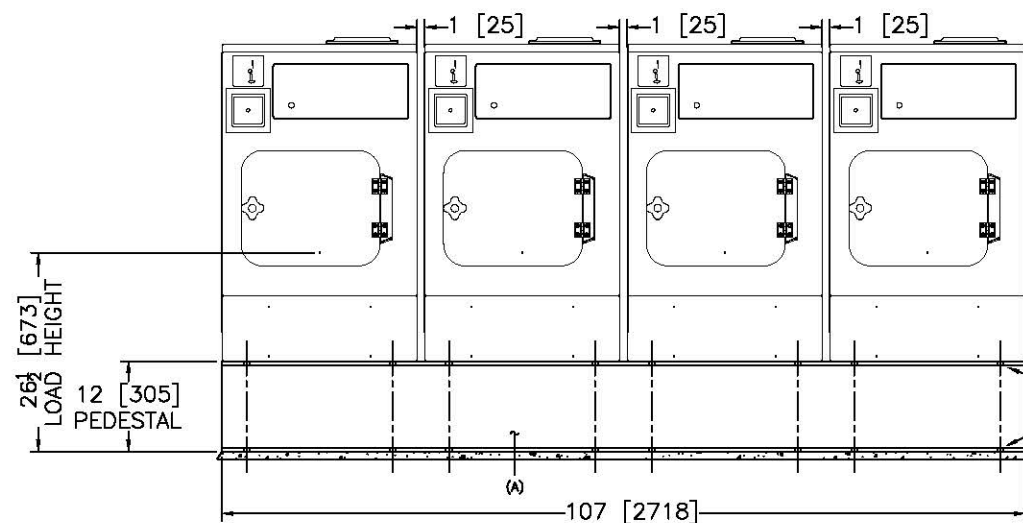
ANCHOR BOLT HOLES  
13/16" DIA. DRILL IN TOP  
AND BOTTOM FLANGES  
OF CHANNEL (32 PLACES)  
ANGLED WASHERS MUST  
BE USED AS DRAWN  
SEE DETAIL A.



ENLARGED VIEW B-B



DETAIL A

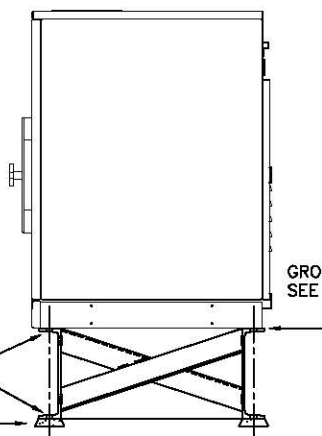


VIEW A-A

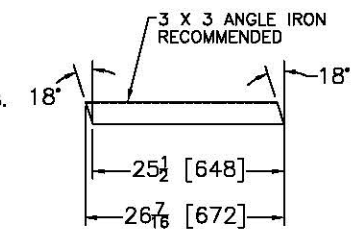
ANGLED WASHERS MUST  
BE USED AS DRAWN  
SEE DETAIL A.

ANCHOR BOLT HOLES  
13/16" DIA. DRILL IN TOP  
AND BOTTOM FLANGES  
OF CHANNEL (32 PLACES)

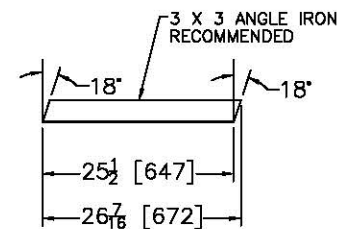
GROUT  
SEE NOTE 3.



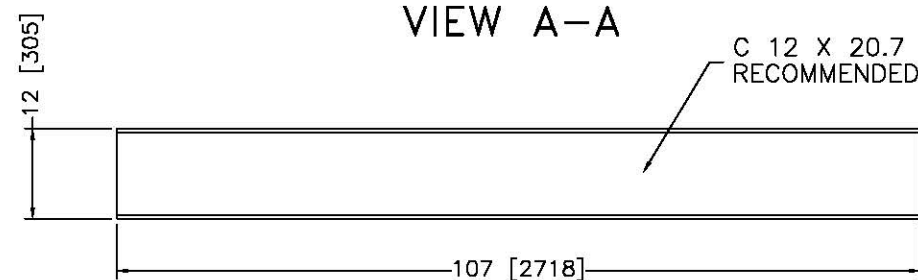
VIEW B-B



(B) LEFT CROSS MEMBERS  
(TYPICAL 5)



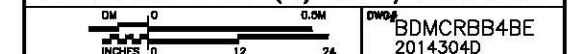
(C) RIGHT CROSS MEMBERS  
(TYPICAL 5)



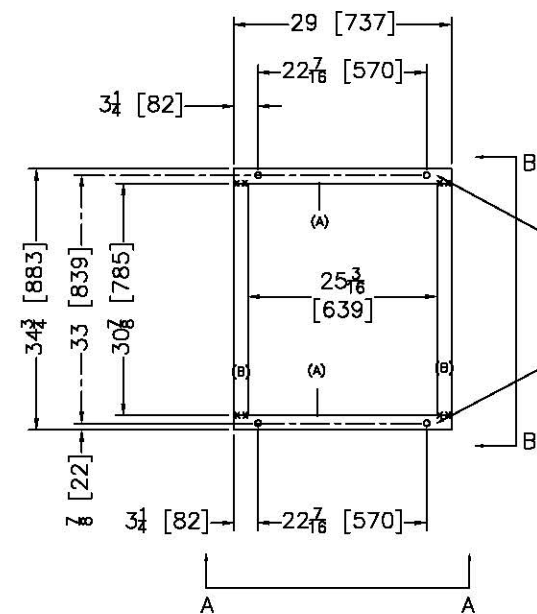
(A) CHANNEL (TYPICAL 2)

- NOTES**
- GROUT OR EPOXY OR USE TAR PAPER, BETWEEN MACHINE AND PEDESTAL BASE, TO ENSURE A TIGHT UNIFORM FIT.
  - THIS DRAWING SHOWS A RECOMMENDED PEDESTAL DESIGN FOR (4) ADJACENT MILNOR MICROBES COIN MACHINES. THIS BASE MAY BE USED WHENEVER LOCAL CONDITIONS ARE SUCH THAT MACHINE OPERATION WOULD BE ENHANCED BY RAISING THE MACHINES 12 [305] INCHES.
  - IF MACHINE IS TO BE BOLTED TO PEDESTAL BASE, BOLT HOLES IN PEDESTAL TOP FLANGE SHOULD BE LOCATED AND DRILLED ONLY AFTER MACHINE IS ON SITE AND CAN BE USED AS A TEMPLATE FOR BOLT HOLE LOCATIONS. IF BASE IS TO BE BOLTED TO FOUNDATION, CUSTOMER MUST DETERMINE LOCATION OF BOLT HOLES IN BOTTOM FLANGE.
  - WHEN INSTALLING MACHINE AND PEDESTAL BASE, IT IS RECOMMENDED TO LAY THE PEDESTAL ON A MINIMUM 1 [25] THICK GROUT BED AND BOLT THE MACHINE TO IT.
  - THIS BASE MUST BE FABRICATED LOCALLY AND SHOULD BE MADE SQUARE AND LEVEL. IT IS NOT SUPPLIED BY PELLERIN MILNOR CORP. THIS DRAWING CONVEYS NO EXPRESS OR IMPLIED WARRANTY WITH REGARD TO THE CONSTRUCTION AND/OR SUITABILITY OF THIS ASSEMBLY.
  - NUMBERS IN BRACKETS [ ] DENOTE DIMENSIONS IN MILLIMETERS.
- ATTENTION**
- MOST REGULATORY AUTHORITIES (INCLUDING OSHA IN THE USA) HOLD THE OWNER/USER ULTIMATELY RESPONSIBLE TO MAINTAIN A SAFE WORKING ENVIRONMENT. ACCORDINGLY, THE OWNER/USER MUST RECOGNIZE ALL FORESEEABLE SAFETY HAZARDS, FURNISH SAFETY INSTRUCTIONS AND GUIDANCE TO ALL PERSONNEL WHO MAY COME IN CONTACT WITH THE INSTALLATION, AND PROVIDE ALL NECESSARY ADDITIONAL SAFETY GUARDS, FENCES, RESTRAINTS, DEVICES, ETC., NOT FURNISHED BY THE EQUIPMENT MANUFACTURER OR VENDOR.
- ATTENTION**
- THE FLOOR AND/OR OTHER SUPPORT COMPONENTS MUST HAVE SUFFICIENT STRENGTH (AND RIGIDITY WITH DUE CONSIDERATION FOR NATURAL OR RESONANT FREQUENCY THEREOF) TO WITHSTAND THE FULLY LOADED WEIGHT OF THE MACHINE INCLUDING THE GOODS, THE WATER, AND ANY REPEATED SINUSOIDAL (ROTATING) FORCES GENERATED DURING ITS OPERATION. WRITE THE FACTORY FOR ADDITIONAL MACHINE DATA FOR USE BY A COMPETENT SOIL AND/OR STRUCTURAL ENGINEER.

PEDESTAL FOR (4) MCR/MWR12E5



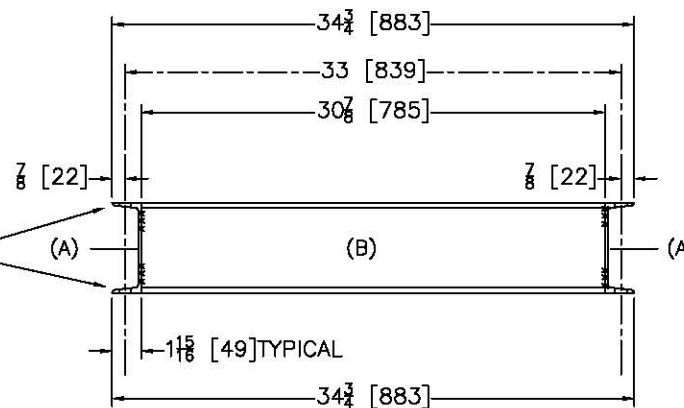
**PELLERIN MILNOR CORPORATION**  
P.O. Box 400 Kenner, LA 70063, USA, Phone 504/467-3591,  
FAX 504/469-1849, Email: milnorinfo@milnor.com



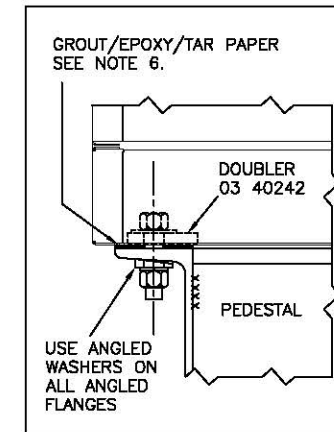
PEDESTAL PLAN

ANCHOR BOLT HOLES  
13/16" DIA. DRILL IN TOP  
AND BOTTOM FLANGES  
OF CHANNEL (8 PLACES)

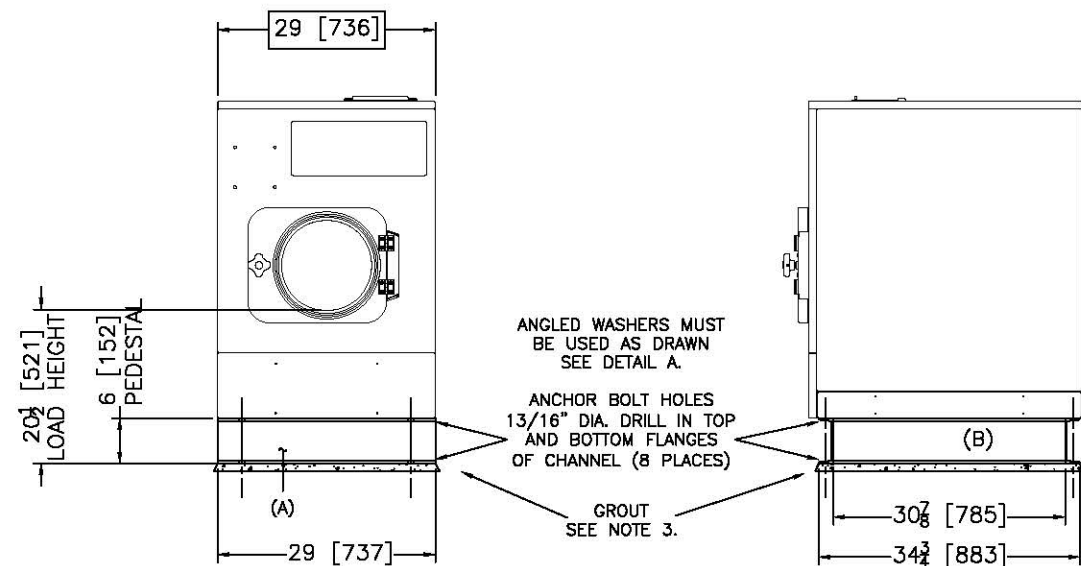
ANGLED WASHERS MUST  
BE USED AS DRAWN  
SEE DETAIL A.



ENLARGED VIEW B-B



DETAIL A

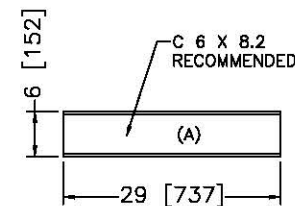


VIEW B-B

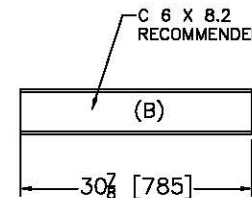
ANGLED WASHERS MUST  
BE USED AS DRAWN  
SEE DETAIL A.

ANCHOR BOLT HOLES  
13/16" DIA. DRILL IN TOP  
AND BOTTOM FLANGES  
OF CHANNEL (8 PLACES)

GROUT  
SEE NOTE 3.



(A) CHANNEL (TYPICAL 2)



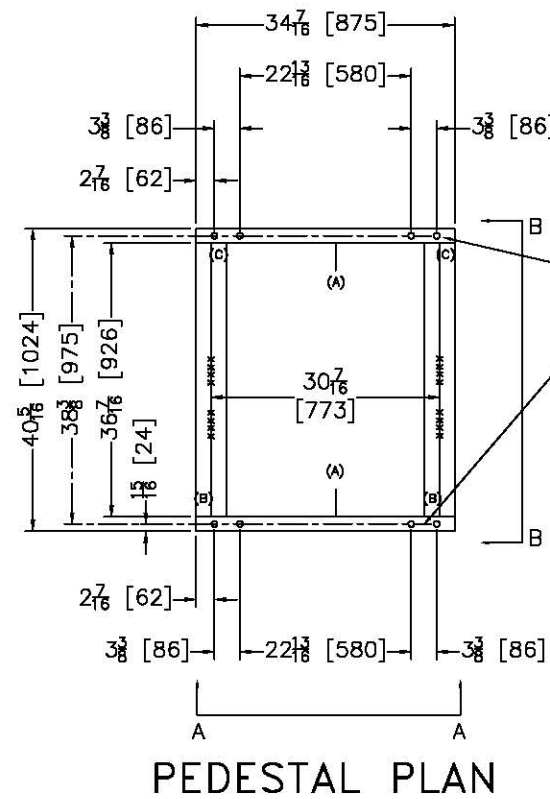
(B) LEFT & RIGHT  
CROSS MEMBERS  
(TYPICAL 2)

- NOTES**
- 6 GROUT OR EPOXY OR USE TAR PAPER, BETWEEN MACHINE AND PEDESTAL BASE, TO ENSURE A TIGHT UNIFORM FIT.
  - 5 THIS DRAWING SHOWS A RECOMMENDED PEDESTAL DESIGN FOR (1) MILNOR MCR27E5 COIN MACHINE. THIS BASE MAY BE USED WHENEVER LOCAL CONDITIONS ARE SUCH THAT MACHINE OPERATION WOULD BE ENHANCED BY RAISING THE MACHINE 6 [152] INCHES.
  - 4 IF MACHINE IS TO BE BOLTED TO PEDESTAL BASE, BOLT HOLES IN PEDESTAL TOP FLANGE SHOULD BE LOCATED AND DRILLED ONLY AFTER MACHINE IS ON SITE AND CAN BE USED AS A TEMPLATE FOR BOLT HOLE LOCATIONS. IF BASE IS TO BE BOLTED TO FOUNDATION, CUSTOMER MUST DETERMINE LOCATION OF BOLT HOLES IN BOTTOM FLANGE.
  - 3 WHEN INSTALLING MACHINE AND PEDESTAL BASE, IT IS RECOMMENDED TO LAY THE PEDESTAL ON A MINIMUM 1 [25] THICK GROUT BED AND BOLT THE MACHINE TO IT.
  - 2 THIS BASE MUST BE FABRICATED LOCALLY AND SHOULD BE MADE SQUARE AND LEVEL. IT IS NOT SUPPLIED BY PELLERIN MILNOR CORP. THIS DRAWING CONVEYS NO EXPRESS OR IMPLIED WARRANTY WITH REGARD TO THE CONSTRUCTION AND/OR SUITABILITY OF THIS ASSEMBLY.
  - 1 NUMBERS IN BRACKETS [ ] DENOTE DIMENSIONS IN MILLIMETERS.
- ATTENTION**
- MOST REGULATORY AUTHORITIES (INCLUDING OSHA IN THE USA) HOLD THE OWNER/USER ULTIMATELY RESPONSIBLE TO MAINTAIN A SAFE WORKING ENVIRONMENT. ACCORDINGLY, THE OWNER/USER MUST RECOGNIZE ALL FORESEEABLE SAFETY HAZARDS, FURNISH SAFETY INSTRUCTIONS AND GUIDANCE TO ALL PERSONNEL WHO MAY COME IN CONTACT WITH THE INSTALLATION, AND PROVIDE ALL NECESSARY ADDITIONAL SAFETY GUARDS, FENCES, RESTRAINTS, DEVICES, ETC., NOT FURNISHED BY THE EQUIPMENT MANUFACTURER OR VENDOR.
- ATTENTION**
- THE FLOOR AND/OR OTHER SUPPORT COMPONENTS MUST HAVE SUFFICIENT STRENGTH (AND RIGIDITY WITH DUE CONSIDERATION FOR NATURAL OR RESONANT FREQUENCY THEREOF) TO WITHSTAND THE FULLY LOADED WEIGHT OF THE MACHINE INCLUDING THE GOODS, THE WATER, AND ANY REPEATED SINUSOIDAL (ROTATING) FORCES GENERATED DURING ITS OPERATION. WRITE THE FACTORY FOR ADDITIONAL MACHINE DATA FOR USE BY A COMPETENT SOIL AND/OR STRUCTURAL ENGINEER.

PEDESTAL:(1)MCR16E5,MWT16E5/X5/J5

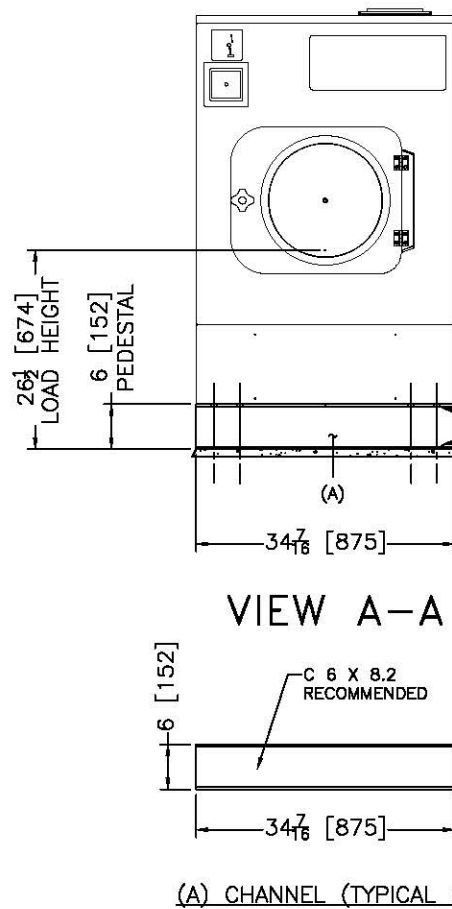
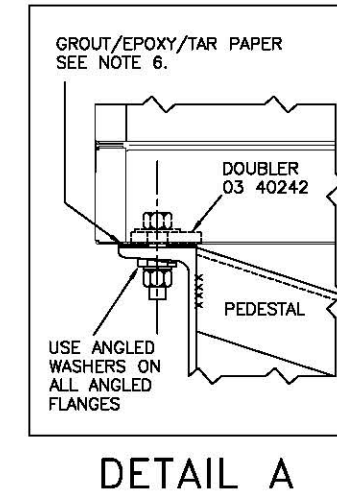
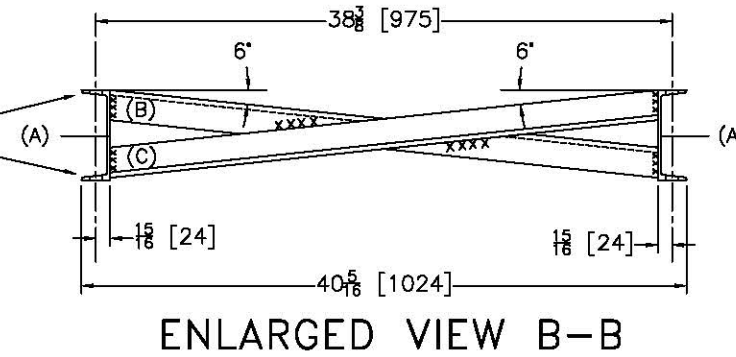
DM 0 0.5M DWG# BDMCRBK1AE  
INCHES 0 12 24 2017244D

**PELLERIN MILNOR CORPORATION**  
P.O. Box 400 Kenner, LA 70063, USA, Phone 504/467-8581,  
FAX 504/469-1849, Email: milnorinfo@milnor.com



ANCHOR BOLT HOLES  
13/16" DIA. DRILL IN TOP  
AND BOTTOM FLANGES  
OF CHANNEL (16 PLACES)

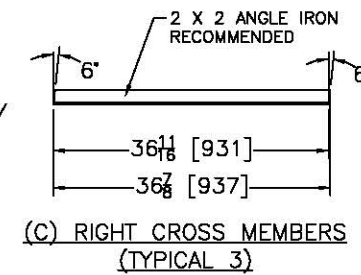
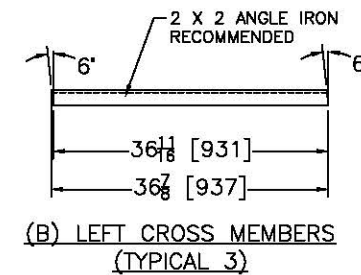
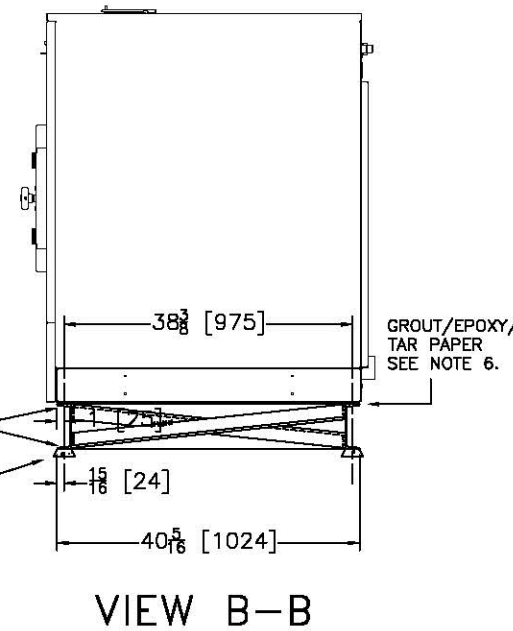
ANGLED WASHERS MUST  
BE USED AS DRAWN  
SEE DETAIL A.



ANGLED WASHERS MUST  
BE USED AS DRAWN  
SEE DETAIL A.

ANCHOR BOLT HOLES  
13/16" DIA. DRILL IN TOP  
AND BOTTOM FLANGES  
OF CHANNEL (16 PLACES)

GROUT  
SEE NOTE 3.



- NOTES**
- GROUT OR EPOXY OR USE TAR PAPER, BETWEEN MACHINE AND PEDESTAL BASE, TO ENSURE A TIGHT UNIFORM FIT.
  - THIS DRAWING SHOWS A RECOMMENDED PEDESTAL DESIGN FOR (1) MILNOR MCR18ES COIN MACHINE. THIS BASE MAY BE USED WHENEVER LOCAL CONDITIONS ARE SUCH THAT MACHINE OPERATION WOULD BE ENHANCED BY RAISING THE MACHINE 6 [152] INCHES.
  - IF MACHINE IS TO BE BOLTED TO PEDESTAL BASE, BOLT HOLES IN PEDESTAL TOP FLANGE SHOULD BE LOCATED AND DRILLED ONLY AFTER MACHINE IS ON SITE AND CAN BE USED AS A TEMPLATE FOR BOLT HOLE LOCATIONS. IF BASE IS TO BE BOLTED TO FOUNDATION, CUSTOMER MUST DETERMINE LOCATION OF BOLT HOLES IN BOTTOM FLANGE.
  - WHEN INSTALLING MACHINE AND PEDESTAL BASE, IT IS RECOMMENDED TO LAY THE PEDESTAL ON A MINIMUM 1 [25] THICK GROUT BED AND BOLT THE MACHINE TO IT.
  - THIS BASE MUST BE FABRICATED LOCALLY AND SHOULD BE MADE SQUARE AND LEVEL. IT IS NOT SUPPLIED BY PELLERIN MILNOR CORP. THIS DRAWING CONVEYS NO EXPRESS OR IMPLIED WARRANTY WITH REGARD TO THE CONSTRUCTION AND/OR SUITABILITY OF THIS ASSEMBLY.
  - NUMBERS IN BRACKETS [ ] DENOTE DIMENSIONS IN MILLIMETERS.

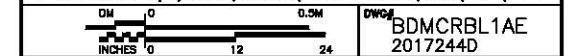
**ATTENTION**

MOST REGULATORY AUTHORITIES (INCLUDING OSHA IN THE USA) HOLD THE OWNER/USER ULTIMATELY RESPONSIBLE TO MAINTAIN A SAFE WORKING ENVIRONMENT. ACCORDINGLY, THE OWNER/USER MUST RECOGNIZE ALL FORESEEABLE SAFETY HAZARDS. FURNISH SAFETY INSTRUCTIONS AND GUIDANCE TO ALL PERSONNEL WHO MAY COME IN CONTACT WITH THE INSTALLATION, AND PROVIDE ALL NECESSARY ADDITIONAL SAFETY GUARDS, FENCES, RESTRAINTS, DEVICES, ETC., NOT FURNISHED BY THE EQUIPMENT MANUFACTURER OR VENDOR.

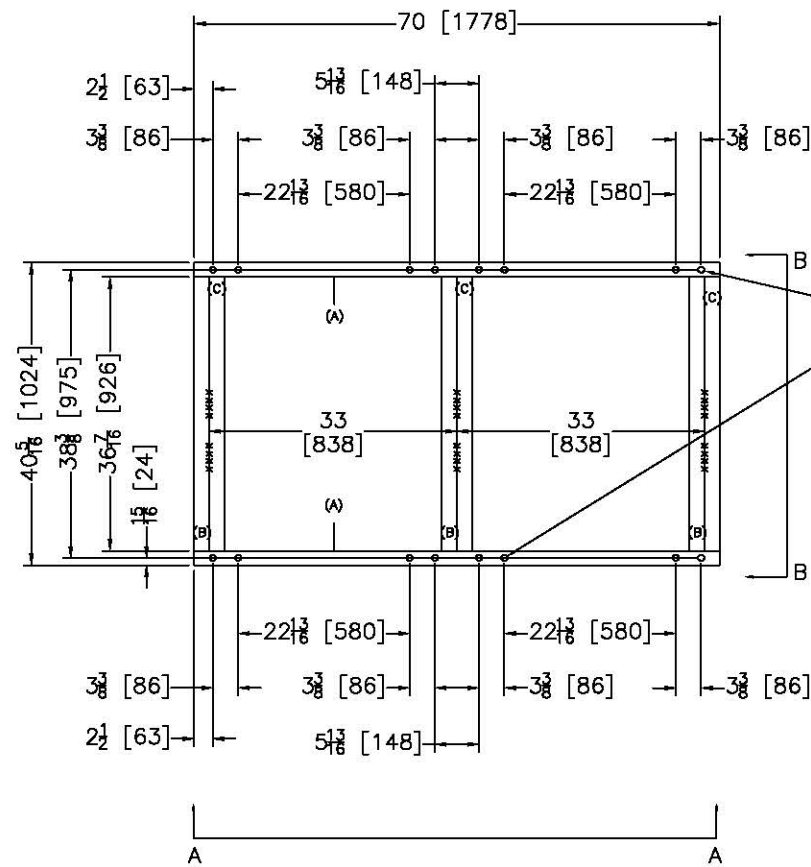
**ATTENTION**

THE FLOOR AND/OR OTHER SUPPORT COMPONENTS MUST HAVE SUFFICIENT STRENGTH (AND RIGIDITY WITH DUE CONSIDERATION FOR NATURAL OR RESONANT FREQUENCY THEREOF) TO WITHSTAND THE FULLY LOADED WEIGHT OF THE MACHINE INCLUDING THE GOODS, THE WATER, AND ANY REPEATED SINUSOIDAL (ROTATING) FORCES GENERATED DURING ITS OPERATION. WRITE THE FACTORY FOR ADDITIONAL MACHINE DATA FOR USE BY A COMPETENT SOIL AND/OR STRUCTURAL ENGINEER.

PEDESTAL:(1)MCR/MWR/MWT18E4/X4/J4/J6



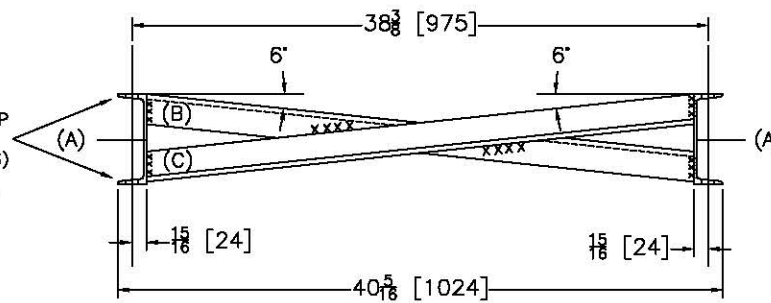
**PELLERIN MILNOR CORPORATION**  
P.O. Box 400 Kenner, LA 70063, USA, Phone 504/467-9581, FAX 504/469-1848, Email: milnorinfo@milnor.com



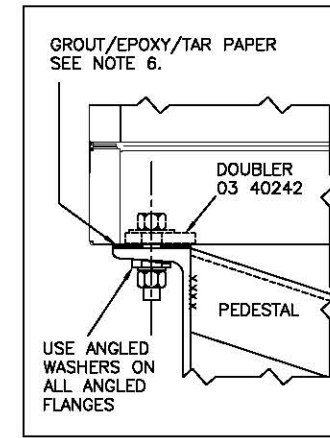
PEDESTAL PLAN

ANCHOR BOLT HOLES  
13/16" DIA. DRILL IN TOP  
AND BOTTOM FLANGES  
OF CHANNEL (32 PLACES)

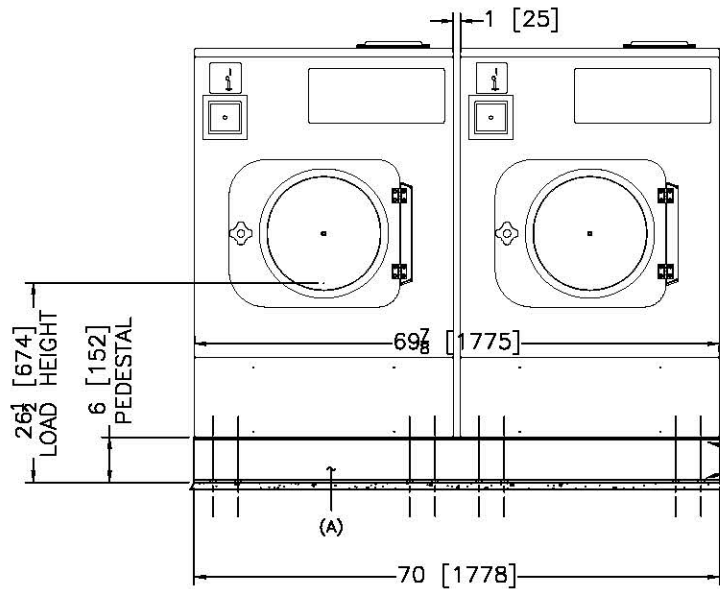
ANGLED WASHERS MUST  
BE USED AS DRAWN  
SEE DETAIL A.



ENLARGED VIEW B-B



DETAIL A

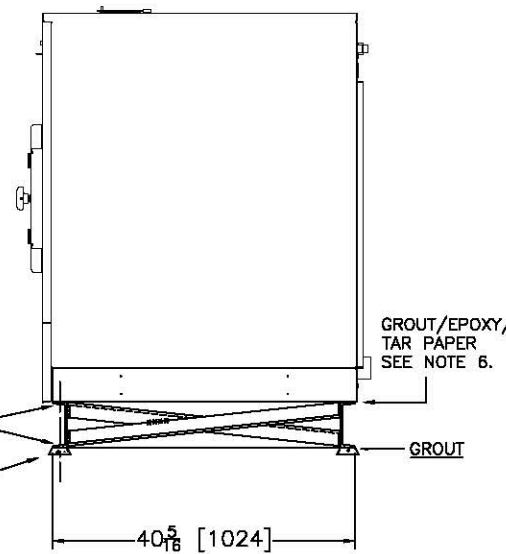


VIEW A-A

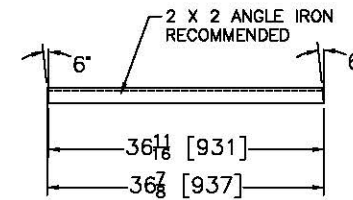
ANGLED WASHERS MUST  
BE USED AS DRAWN  
SEE DETAIL A.

ANCHOR BOLT HOLES  
13/16" DIA. DRILL IN TOP  
AND BOTTOM FLANGES  
OF CHANNEL (32 PLACES)

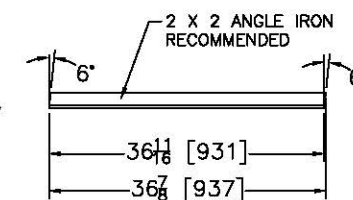
GROUT  
SEE NOTE 3.



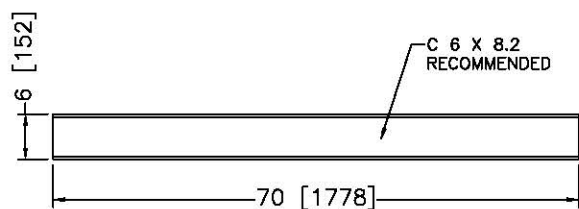
VIEW B-B



(B) LEFT CROSS MEMBERS  
(TYPICAL 3)



(C) RIGHT CROSS MEMBERS  
(TYPICAL 3)



(A) CHANNEL (TYPICAL 2)

- NOTES**
- 6 GROUT OR EPOXY OR USE TAR PAPER, BETWEEN MACHINE AND PEDESTAL BASE, TO ENSURE A TIGHT UNIFORM FIT.
  - 5 THIS DRAWING SHOWS A RECOMMENDED PEDESTAL DESIGN FOR (2) ADJACENT MILNOR MCR18E7 COIN MACHINES. THIS BASE MAY BE USED WHENEVER LOCAL CONDITIONS ARE SUCH THAT MACHINE OPERATION WOULD BE ENHANCED BY RAISING THE MACHINES 6 [152] INCHES.
  - 4 IF MACHINE IS TO BE BOLTED TO PEDESTAL BASE, BOLT HOLES IN PEDESTAL TOP FLANGE SHOULD BE LOCATED AND DRILLED ONLY AFTER MACHINE IS ON SITE AND CAN BE USED AS A TEMPLATE FOR BOLT HOLE LOCATIONS. IF BASE IS TO BE BOLTED TO FOUNDATION, CUSTOMER MUST DETERMINE LOCATION OF BOLT HOLES IN BOTTOM FLANGE.
  - 3 WHEN INSTALLING MACHINE AND PEDESTAL BASE, IT IS RECOMMENDED TO LAY THE PEDESTAL ON A MINIMUM 1 [25] THICK GROUT BED AND BOLT THE MACHINE TO IT.
  - 2 THIS BASE MUST BE FABRICATED LOCALLY AND SHOULD BE MADE SQUARE AND LEVEL. IT IS NOT SUPPLIED BY PELLERIN MILNOR CORP. THIS DRAWING CONVEYS NO EXPRESS OR IMPLIED WARRANTY WITH REGARD TO THE CONSTRUCTION AND/OR SUITABILITY OF THIS ASSEMBLY.
  - 1 NUMBERS IN BRACKETS [ ] DENOTE DIMENSIONS IN MILLIMETERS.

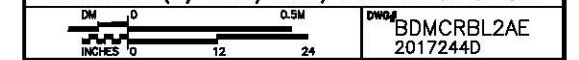
**ATTENTION**

MOST REGULATORY AUTHORITIES (INCLUDING OSHA IN THE USA) HOLD THE OWNER/USER ULTIMATELY RESPONSIBLE TO MAINTAIN A SAFE WORKING ENVIRONMENT. ACCORDINGLY, THE OWNER/USER MUST RECOGNIZE ALL FORESEEABLE SAFETY HAZARDS, FURNISH SAFETY INSTRUCTIONS AND GUIDANCE TO ALL PERSONNEL WHO MAY COME IN CONTACT WITH THE INSTALLATION, AND PROVIDE ALL NECESSARY ADDITIONAL SAFETY GUARDS, FENCES, RESTRAINTS, DEVICES, ETC., NOT FURNISHED BY THE EQUIPMENT MANUFACTURER OR VENDOR.

**ATTENTION**

THE FLOOR AND/OR OTHER SUPPORT COMPONENTS MUST HAVE SUFFICIENT STRENGTH (AND RIGIDITY WITH DUE CONSIDERATION FOR NATURAL OR RESONANT FREQUENCY THEREOF) TO WITHSTAND THE FULLY LOADED WEIGHT OF THE MACHINE INCLUDING THE GOODS, THE WATER, AND ANY REPEATED SINUSOIDAL (ROTATING) FORCES GENERATED DURING ITS OPERATION. WRITE THE FACTORY FOR ADDITIONAL MACHINE DATA FOR USE BY A COMPETENT SOIL AND/OR STRUCTURAL ENGINEER.

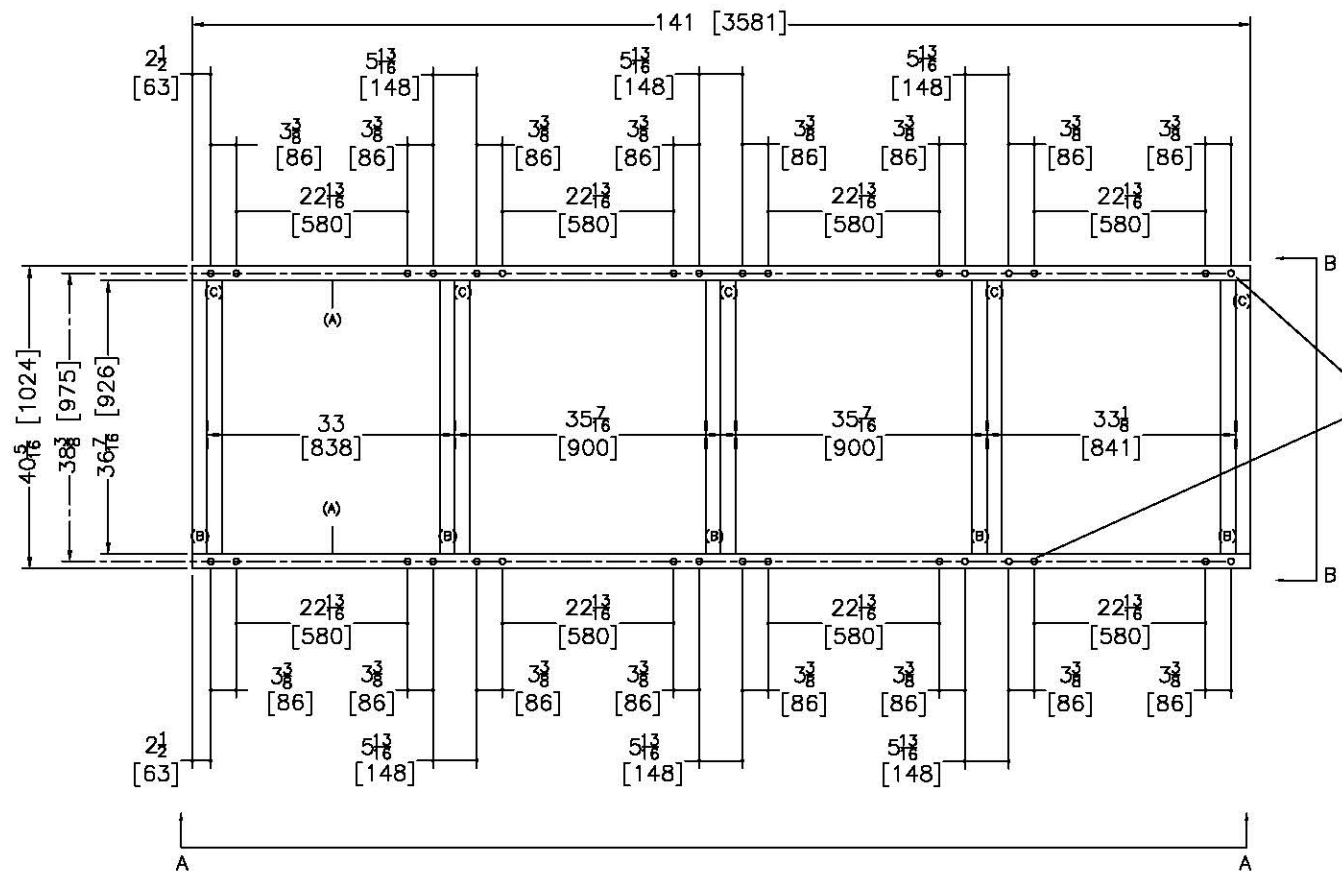
PEDESTAL:(2) MCR/MWR/MWT18E4,X4,J4,J6



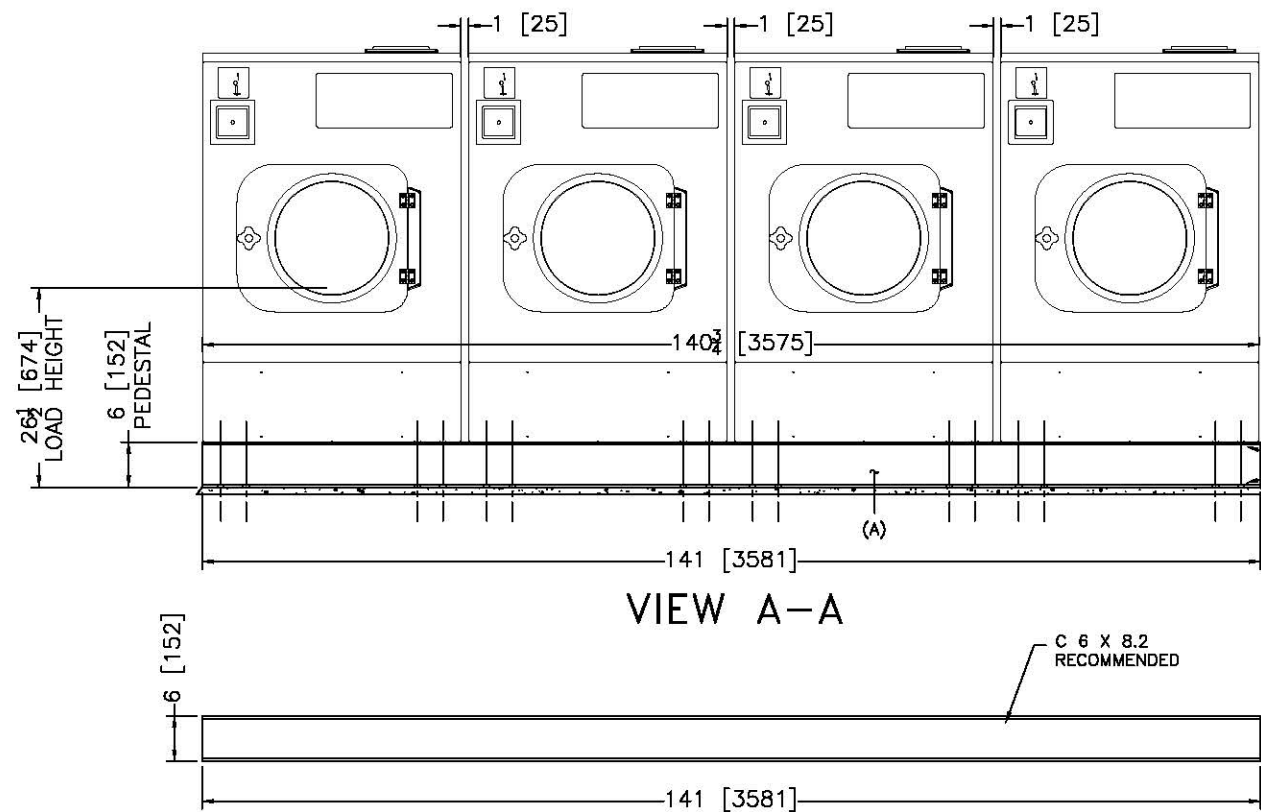
DM 0 0.5M  
INCHES 0 12 24 DWG# BDMCRBL2AE 2017244D

**PELLERIN MILNOR CORPORATION**  
P.O. Box 400 Kenner, LA 70063, USA, Phone 504/467-8581,  
FAX 504/469-1849, Email: milnorinfo@milnor.com





PEDESTAL PLAN

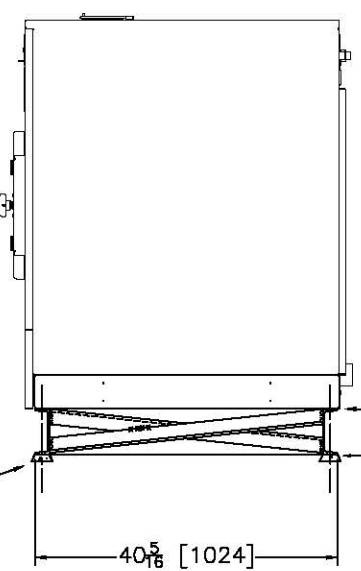


(A) CHANNEL (TYPICAL 2)

26 1/2 [674] LOAD HEIGHT  
6 [152] PEDESTAL

ANGLED WASHERS MUST BE USED AS DRAWN SEE DETAIL A.  
ANCHOR BOLT HOLES 13/16" DIA. DRILL IN TOP AND BOTTOM FLANGES OF CHANNEL (64 PLACES)

ANCHOR BOLT HOLES 13/16" DIA. DRILL IN TOP AND BOTTOM FLANGES OF CHANNEL (64 PLACES)  
ANGLED WASHERS MUST BE USED AS DRAWN SEE DETAIL A.



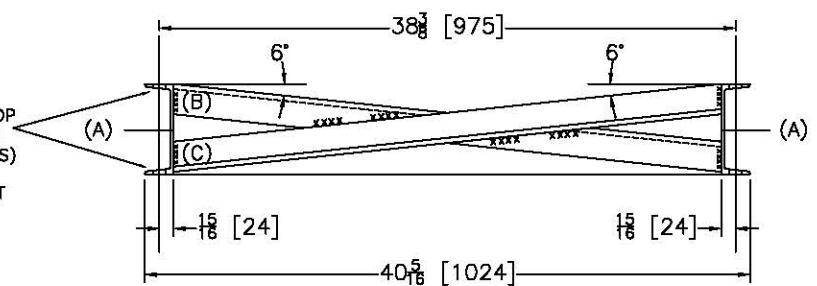
VIEW B-B

GROUT SEE NOTE 3.

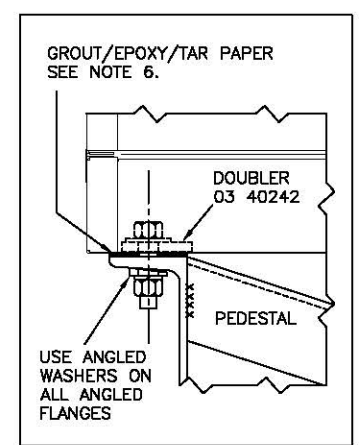
GROUT SEE NOTE 6.

GROUT

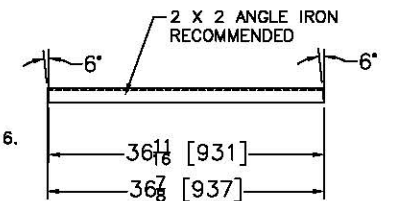
ANGLED WASHERS MUST BE USED AS DRAWN SEE DETAIL A.  
ANCHOR BOLT HOLES 13/16" DIA. DRILL IN TOP AND BOTTOM FLANGES OF CHANNEL (64 PLACES)



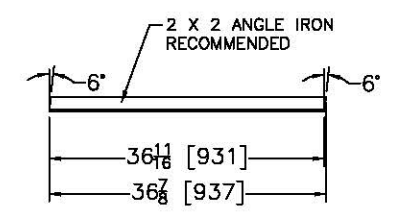
ENLARGED VIEW B-B



DETAIL A



(B) LEFT CROSS MEMBERS (TYPICAL 3)



(C) RIGHT CROSS MEMBERS (TYPICAL 3)

- NOTES**
- GROUT OR EPOXY OR USE TAR PAPER, BETWEEN MACHINE AND PEDESTAL BASE, TO ENSURE A TIGHT UNIFORM FIT.
  - THIS DRAWING SHOWS A RECOMMENDED PEDESTAL DESIGN FOR (4) ADJACENT MILNOR MCR018E5 COIN MACHINES. THIS BASE MAY BE USED WHENEVER LOCAL CONDITIONS ARE SUCH THAT MACHINE OPERATION WOULD BE ENHANCED BY RAISING THE MACHINES 6 [152] INCHES.
  - IF MACHINE IS TO BE BOLTED TO PEDESTAL BASE, BOLT HOLES IN PEDESTAL TOP FLANGE SHOULD BE LOCATED AND DRILLED ONLY AFTER MACHINE IS ON SITE AND CAN BE USED AS A TEMPLATE FOR BOLT HOLE LOCATIONS. IF BASE IS TO BE BOLTED TO FOUNDATION, CUSTOMER MUST DETERMINE LOCATION OF BOLT HOLES IN BOTTOM FLANGE.
  - WHEN INSTALLING MACHINE AND PEDESTAL BASE, IT IS RECOMMENDED TO LAY THE PEDESTAL ON A MINIMUM 1 [25] THICK GROUT BED AND BOLT THE MACHINE TO IT.
  - THIS BASE MUST BE FABRICATED LOCALLY AND SHOULD BE MADE SQUARE AND LEVEL. IT IS NOT SUPPLIED BY PELLERIN MILNOR CORP. THIS DRAWING CONVEYS NO EXPRESS OR IMPLIED WARRANTY WITH REGARD TO THE CONSTRUCTION AND/OR SUITABILITY OF THIS ASSEMBLY.
  - NUMBERS IN BRACKETS [ ] DENOTE DIMENSIONS IN MILLIMETERS.
- ATTENTION**
- MOST REGULATORY AUTHORITIES (INCLUDING OSHA IN THE USA) HOLD THE OWNER/USER ULTIMATELY RESPONSIBLE TO MAINTAIN A SAFE WORKING ENVIRONMENT. ACCORDINGLY, THE OWNER/USER MUST RECOGNIZE ALL FORESEEABLE SAFETY HAZARDS, FURNISH SAFETY INSTRUCTIONS AND GUIDANCE TO ALL PERSONNEL WHO MAY COME IN CONTACT WITH THE INSTALLATION, AND PROVIDE ALL NECESSARY ADDITIONAL SAFETY GUARDS, FENCES, RESTRAINTS, DEVICES, ETC., NOT FURNISHED BY THE EQUIPMENT MANUFACTURER OR VENDOR.
- ATTENTION**
- THE FLOOR AND/OR OTHER SUPPORT COMPONENTS MUST HAVE SUFFICIENT STRENGTH (AND RIGIDITY WITH DUE CONSIDERATION FOR NATURAL OR RESONANT FREQUENCY THEREOF) TO WITHSTAND THE FULLY LOADED WEIGHT OF THE MACHINE INCLUDING THE GOODS, THE WATER, AND ANY REPEATED SINUSOIDAL (ROTATING) FORCES GENERATED DURING ITS OPERATION. WRITE THE FACTORY FOR ADDITIONAL MACHINE DATA FOR USE BY A COMPETENT SOIL AND/OR STRUCTURAL ENGINEER.

PEDESTAL: (4)MCR/MWR/MWT18E4,X4,J4,J6

DM 0 0.5M DWG# BDMCRBL4AE  
INCHES 0 12 24 2017244D

**PELLERIN MILNOR CORPORATION**  
P.O. Box 400 Kenner, LA 70063, USA, Phone 504/467-9581.  
FAX 504/469-1849, Email: milnorinfo@milnor.com