



Published Manual Number/ECN: MAPMPX40EE/2023232A

- Publishing System: TPAS2
- Access date: 06/06/2023
- Document ECNs: Latest

# Mechanical Parts

MPL550/556/640/650/656

CL/CR/L/R

(with Decompression Valve)

Effective 5/1/2023



**Read the  
separate  
safety  
manual  
before  
installing,  
operating,  
or servicing**





# Table of Contents

## MAPMPX40EE/23232A

Page	Description	Document
1	Limited Standard Warranty	BMP720097/2019036
2	How to Get the Necessary Repair Components	BIUUUD19/20081231
3	Trademarks	BNUUUU02/2021104A
4	Installation Tag Guidelines - Single Stage Press	BNP1UI05/2020162A
8	Safety Placard Use and Placement - MP15xx, MPL5xx, MP16xx, MPL6xx, MP1Axx	BMP040036/2020275B
10	Safety Placard Use and Placement ISO - MP15xx, MPL5xx, MP16xx, MPL6xx, MP1Axx	BMP040037/2020275B
12	Torque Requirements for Fasteners	BNUUUN02/2019125A
<b>19</b>	<b>1. Housing Assemblies</b>	
20	Guards, Covers, & Cosmetics	BMP110001/2021055B
23	Use the Red Safety Supports for Maintenance —MP1540_, MPL5_, MPL6_, MP1A_	BNP1UH02/2021344
25	Can Safety Stands and Diaphragm Bar	BPP1UK01/2021385A
28	Unload Safety Light Screen	BMP180009/2022566A
31	Ship With	BMP110004/2022484A
33	Safety Unload Door	BMP110005/2020275A
36	Frame Assembly	BMP110006/2020275B
38	Foot Assembly	BMP110007/2020275B
39	Reuse Tank	BMP110008/2020275B
<b>41</b>	<b>2. Hydraulic Piping and Assemblies</b>	
42	Hydraulic Schematic Presses with Decompression Valve	BMP230001/2023232A
44	Hydraulic Hoses - Single Manifold Presses with Single Pump	BMP200015/2022484A
49	Single Manifold and Valves for Single Pump	BMP200016/2023066A
53	Larger Bypass Valve and Retrofit	BMP190012/2021055A
55	Pressure Gauges	BMP160039/2020275A
56	Decompression Valve	BMP230002/2023232A
57	Hydraulic Tank	BMP190010/2023084A
62	Hydraulic Oil Add	BNP1PI01/2021023A
68	Hydraulic Main Pump (Single Manifold-Single Pump) MPL550, MPL556, MPL640, MPL650, MPL656	BPP1JH01/2021055A
71	Hydraulic Main Pump: MP1540 (Single Manifold and Skidded Hydraulics, Produced after 08/2020)	BPP1JH02/2020385A
73	Pre-fill Pipe & Valve	BMP200010/2022484A
76	Oil Cooler - Air Cooled	BMP110033/2021055A
78	Oil Cooler - Water Cooled	BMP110032/2021055A
82	Hydraulic Schematic - Ram Command™ (Delicate Goods) Option	BMP140002/2022142A
85	RAM Command™ Option Adjustment	BNP1UA01/2022132

## Table of Contents, continued

### MAPMPX40EE/23232A

<b>Page</b>	<b>Description</b>	<b>Document</b>
92	Delicate Goods Option (Ram Command™ Ram Control)	BPP1UH01/2021402A
95	Hydraulic Ram and Diaphragm	BMP220005/2022483A
103	Load Chute Scupper with Adjustable Seal	BMP160024/2020275A
108	Receiving Chute and Can	BMP110040/2022484A
115	Counterbalance Valves and Tubing	BMP200017/2021055A
<b>119</b>	<b>3. Pneumatic Piping and Assemblies</b>	
120	Pneumatic Schematic	BMP110042/2020275B
<b>123</b>	<b>4. Conveyor Assemblies</b>	
124	Conveyor Bed	BMP110018/2020275B
126	Conveyor Unload End Assemblies	BMP110010/2020275B
134	Load End Rollers & Belt Tracking	BMP110011/2020275B

# **PELLERIN MILNOR CORPORATION**

# **LIMITED STANDARD WARRANTY**

We warrant to the original purchaser that MILNOR machines including electronic hardware/software (hereafter referred to as "equipment"), will be free from defects in material and workmanship for a period of one year from the date of shipment (unless the time period is specifically extended for certain parts pursuant to a specific MILNOR published extended warranty) from our factory with no operating hour limitation. This warranty is contingent upon the equipment being installed, operated and serviced as specified in the operating manual supplied with the equipment, and operated under normal conditions by competent operators.

Providing we receive written notification of a warranted defect within 30 days of its discovery, we will—at our option—repair or replace the defective part or parts, EX Factory (labor and freight specifically NOT included). We retain the right to require inspection of the parts claimed defective in our factory prior to repairing or replacing same. We will not be responsible, or in any way liable, for unauthorized repairs or service to our equipment, and this warranty shall be void if the equipment is tampered with, modified, or abused, used for purposes not intended in the design and construction of the machine, or is repaired or altered in any way without MILNOR's written consent.

Parts damaged by exposure to weather, to aggressive water, or to chemical attack are not covered by this warranty. For parts which require routine replacement due to normal wear—such as gaskets, contact points, brake and clutch linings, belts, hoses, and similar parts—the warranty time period is 90 days.

We reserve the right to make changes in the design and/or construction of our equipment (including purchased components) without obligation to change any equipment previously supplied.

ANY SALE OR FURNISHING OF ANY EQUIPMENT BY MILNOR IS MADE ONLY UPON THE EXPRESS UNDERSTANDING THAT MILNOR MAKES NO EXPRESSED OR IMPLIED WARRANTIES OF MERCHANTABILITY OR FITNESS FOR ANY PARTICULAR USE OR PURPOSE OR ANY OTHER WARRANTY IMPLIED BY LAW INCLUDING BUT NOT LIMITED TO REDHIBITION. MILNOR WILL NOT BE RESPONSIBLE FOR ANY COSTS OR DAMAGES ACTUALLY INCURRED OR REQUIRED AS A RESULT OF: THE FAILURE OF ANY OTHER PERSON OR ENTITY TO PERFORM ITS RESPONSIBILITIES, FIRE OR OTHER HAZARD, ACCIDENT, IMPROPER STORAGE, MIS-USE, NEGLIGENCE, POWER OR ENVIRONMENTAL CONTROL MALFUNCTIONS, DAMAGE FROM LIQUIDS, OR ANY OTHER CAUSE BEYOND THE NORMAL RANGE OF USE. REGARDLESS OF HOW CAUSED, IN NO EVENT SHALL MILNOR BE LIABLE FOR SPECIAL, INDIRECT, PUNITIVE, LIQUIDATED, OR CONSEQUENTIAL COSTS OR DAMAGES, OR ANY COSTS OR DAMAGES WHATSOEVER WHICH EXCEED THE PRICE PAID TO MILNOR FOR THE EQUIPMENT IT SELLS OR FURNISHES.

THE PROVISIONS ON THIS PAGE REPRESENT THE ONLY WARRANTY FROM MILNOR AND NO OTHER WARRANTY OR CONDITIONS, STATUTORY OR OTHERWISE, SHALL BE IMPLIED.

WE NEITHER ASSUME, NOR AUTHORIZE ANY EMPLOYEE OR OTHER PERSON TO ASSUME FOR US, ANY OTHER RESPONSIBILITY AND/OR LIABILITY IN CONNECTION WITH THE SALE OR FURNISHING OF OUR EQUIPMENT TO ANY BUYER.

BMP720097/19036

## How to Get the Necessary Repair Components



This document uses Simplified Technical English.  
Learn more at <http://www.asd-ste100.org>.

You can get components to repair your machine from the approved supplier where you got this machine. Your supplier will usually have the necessary components in stock. You can also get components from the Milnor® factory.

Tell the supplier the machine model and serial number and this data for each necessary component:

- The component number from this manual
- The component name if known
- The necessary quantity
- The necessary transportation requirements
- If the component is an electrical component, give the schematic number if known.
- If the component is a motor or an electrical control, give the nameplate data from the used component.

To write to the Milnor factory:

Pellerin Milnor Corporation  
Post Office Box 400  
Kenner, LA 70063-0400  
UNITED STATES

Telephone: 504-467-2787  
Fax: 504-469-9777  
Email: [parts@milnor.com](mailto:parts@milnor.com)

— End of BIUUUD19 —

# Trademarks

These words are trademarks of Pellerin Milnor® Corporation and other entities:

**Table 1. Trademarks**

AutoSpot™	GreenFlex™	MilMetrix®	PulseFlow®
CBW®	GearTrace™	MilTouch™	RAM Command™
Drynet™	GreenTurn™	MilTouch-EX™	RecircONE®
E-P Express®	Hydro-cushion™	MILRAIL™	RinSave®
E-P OneTouch®	Mentor®	Miltrac™	SmoothCoil™
E-P Plus®	Mildata®	PBW™	Staph Guard®
Gear Guardian®	Milnor®		

End of document: BNUUUU02

# Installation Tag Guidelines

BNP1UI05.R01 0000286959 A.2 4/13/20 3:55 PM Released

MP1540CL	MP1540CR	MP1540L	MP1540R
MPL556CL	MPL556CR	MPL556L	MPL556R
MPL640CL	MPL640CR	MPL640L	MPL640R
MP1650CL	MP1650CR	MP1650L	MP1650R
MPL656CL	MPL656CR	MPL656L	MPL656R
MP1A50CL	MP1A50CR	MP1A50L	MP1A50R



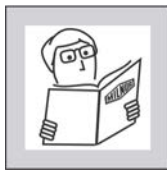
**NOTICE:** This information may apply to models in addition to those listed above. It applies to paper tags. It does not apply to the vinyl or metal safety placards, which must remain permanently affixed to the machine and replaced if no longer readable.

Paper tags on the machine provide installation guidelines and precautions. The tags can be tie-on or adhesive. You can remove tie-on tags and white, adhesive tags after installation. Yellow adhesive tags must remain on the machine.

The following entries explain the installation tags. Each entry includes: 1) the tag illustration, 2) the tag part number at the bottom of the tag, and 3) the meaning of the tag.

**Display or Action**

**Explanation**



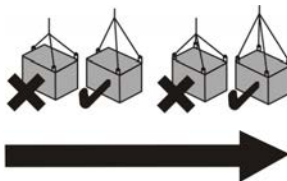
Read the manuals before proceeding. This symbol appears on most tags. The machine ships with safety, operator, and routine maintenance guides for customer use. Milnor dealer manuals for installing, commissioning, and servicing the machine are also available from the Milnor Parts department.



B2TAG88005: This carefully built product was tested and inspected to meet Milnor performance and quality standards by (identification mark of tester).



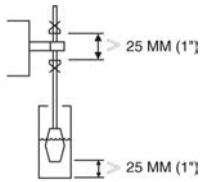
B2TAG94078: Do not forklift here; do not jack here; do not step here—whichever applies.



B2TAG94079: Rig for crane lifting (either 3-point or 4-point, depending on the number of lifting eyes provided) using a steep angle on the chains (closer to vertical than horizontal).

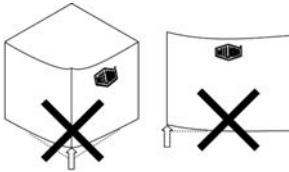
B2TAG94081: Motor must rotate in this direction. On single motor washer-extractors and centrifugal extractors, the drive motor must turn in this direction during draining and extraction. This tag is usually wrapped around a motor housing. If the motor turns in the opposite direction when the machine is first tested, the



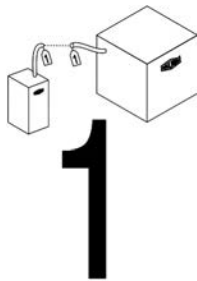


electrical hookup is incorrect and must be reversed as explained in the schematic manual.

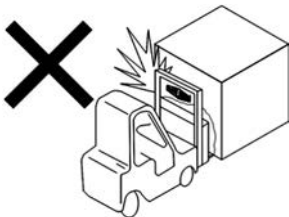
B2TAG94082: Maintain a 25 millimeter (1") minimum clearance between level float clips. Set low level so that the bottom of the float is always at least 25 millimeters (1") above the bottom of the float tube.



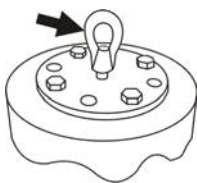
B2TAG94084: Do not lift from one corner of the machine, as this can cause the frame to rack, damaging it.



B2TAG94102 shown—others similar: Match up the components with this number. These tags are used to pair up electrical or hose connections between major components of a machine shipped disassembled.



B2TAG94118: Do not strike shipping container during fork-lifting. Fragile components inside.

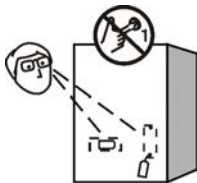


B2TAG98037: Read the installation instructions. Do not attempt to lift the machine with this component. Do not remove this component unless the ram cylinder is mounted to the top plate, the ram is raised fully **and the platen safety bars are installed**. Use this component to raise the ram cylinder for mounting, during installation.

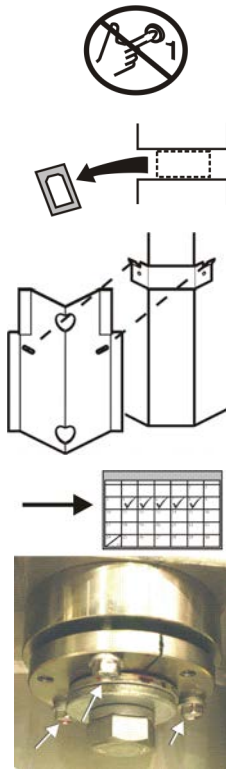
35 - 40 psi  
241316 - 275790 Pa (N/m<sup>2</sup>)



B2TAG98039: Verify that discharge door pressure is within the range shown.



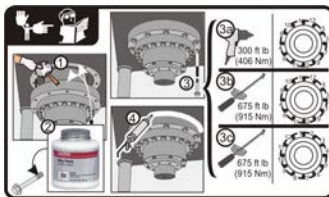
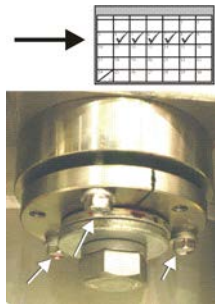
B2T2001028: Look for tags inside the machine. These tags may identify shipping restraints to be removed or components to be installed. Do not start the machine until these actions are completed.



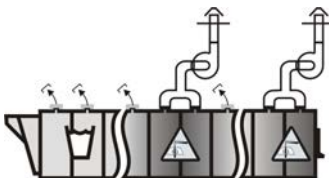
B2T2002013: Do not start the machine until shipping restraints are removed. This tag will appear on the outside of the machine to alert you to the presence of internal shipping restraints. A tag will also appear on the restraint to help identify it. Most, but not all shipping restraints display the color red. Some shipping restraints are also safety stands. Do not discard these.

B2T2002016: Store safety stands as shown when not in use.

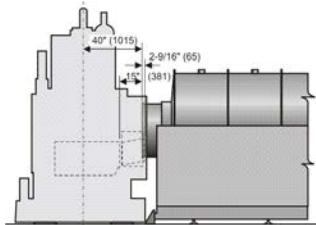
B2T2004028: Read the service instructions. Retighten the can bushing bolts to the torque shown after each of the first five days of operation following installation.



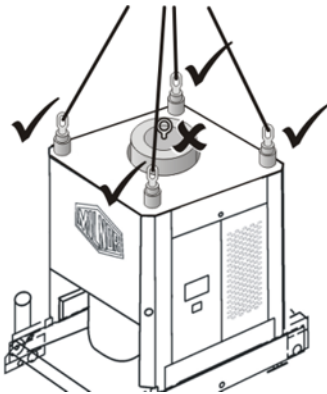
B2T2007017: Read the installation instructions. When mounting the ram, use Loctite moly paste on mounting surfaces. Torque the bolts three times as shown.



B2T2008001: Read the installation instructions. Remove temporary vent covers. Install a powered vent unit on the oxidation zone modules and a separate powered vent unit on the finish zone module and adjacent press, if there is one.



B2T2008006: When installing a G3 CBW tunnel washer behind a 1-stage press, maintain the dimensions shown.



B2T2009017: Lift the press frame from the eye bolts on the four columns. Never attempt to lift the press from the eye bolt on top of the ram cylinder. This eye bolt is used to raise the ram into position.

**ATTENTION INSTALLERS!** 

**PRESS MUST BE HIGH ENOUGH**  
If you set the press at a low area of the floor, you may not have sufficient clearance for the press height.

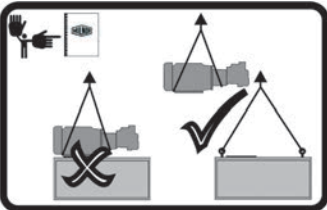
- Establish the System Zero Line on Z.
- Refer to the dimensional drawings of the various machines for required heights.

B2T2010023: Set the press frame in accordance with this instruction and the installation manual.



See document:  
BMP160039,  
or BMP160040  
in your service  
manual for  
instructions.

B2T2016041: Find pressure gauge instructions here.



B2T2019003: Do not attempt to lift the pump and support weldment as one piece. Lift these components separately and perform all attachment and mounting on top of the press.



10µm



01 10771X: Oil added to the hydraulic tank must pass through a 10 micron filter, otherwise, the ram cylinder can be damaged.

End of document: BNP1UI05

# Safety Placard Use and Placement

## MP15xx, MP16xx, MP1Axx, MPL5xx, MPL6xx, MP1Axx

BMP040036/2020275B  
(Sheet 1 of 2)

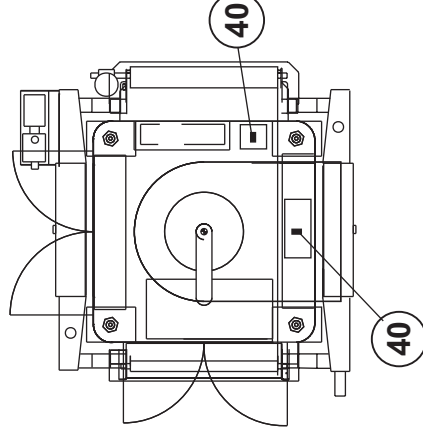
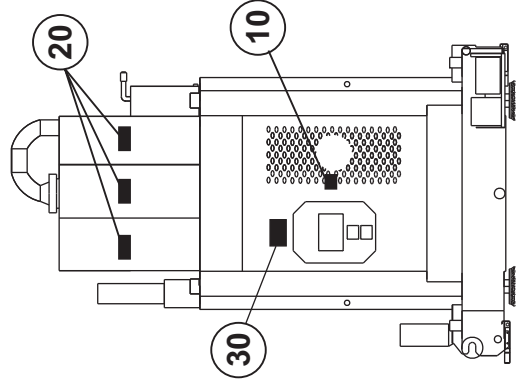


Pellerin Milnor Corporation  
P. O. Box 400, Kenner, LA 70063-0400

Litho in U.S.A.

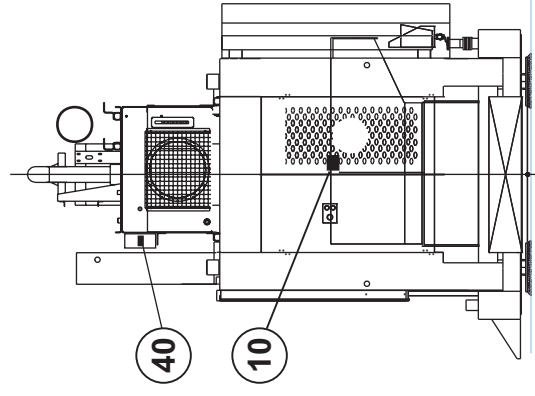
### Notes:

1. Replace placard immediately, if removed or unreadable.
2. Approximate locations of placards are shown. Mounting holes are provided on machine. If aluminum placard use #8 self-tapping screws.

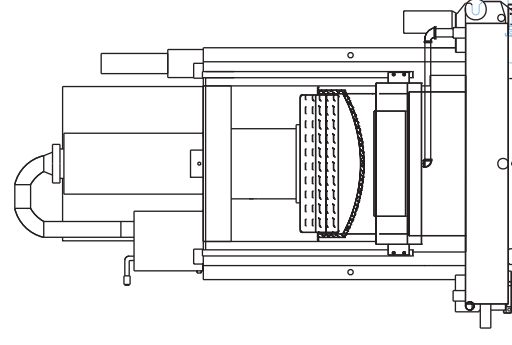


REAR VIEW

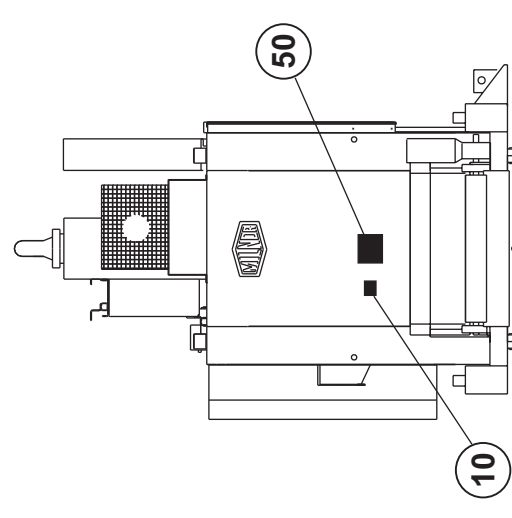
PLAN VIEW



LEFT VIEW



FRONT VIEW



RIGHT VIEW

# Safety Placard Use and Placement

## MP15xx, MP16xx, MP1Axx, MP5xx, MP6xx, MP1Axx

BMP040036/2020275B  
(Sheet 2 of 2)



Pellerin Milnor Corporation  
P. O. Box 400, Kenner, LA 70063-0400

Litho in U.S.A.

### Parts List—Safety Placard Placement

Find the correct assembly first, then find the needed components. The item letters (A, B, C, etc.) assigned to assemblies are referred to in the "Used In" column to identify which components belong to an assembly. The item numbers (1, 2, 3, etc.) assigned to components relate the parts list to the illustration.

Used In	Item	Part Number	Description	Comments
			-----COMPONENTS-----	
all	10	01 10668A	NPLT:PRESS DOOR HAZARD-TCATA	
all	20	01 10377A	NPLT:ELEC HAZARD LG-TCATA	
all	30	01 10699A	NPLT:SERV HZRD-PLYEST-TCATA	
all	40	01 10375B	NPLT:ELEC HAZARD SMALL-TCATA	
all	50	01 10634A	NPLT:CONVEYOR HAZARDS-TCATA	

# Safety Placard Use and Placement ISO

## MP15xx, MP16xx, MPL5xx, MPL6xx, MP1Axx

BMP040037/2020275B  
(Sheet 1 of 2)



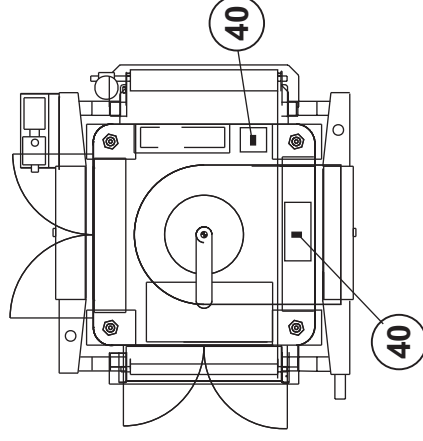
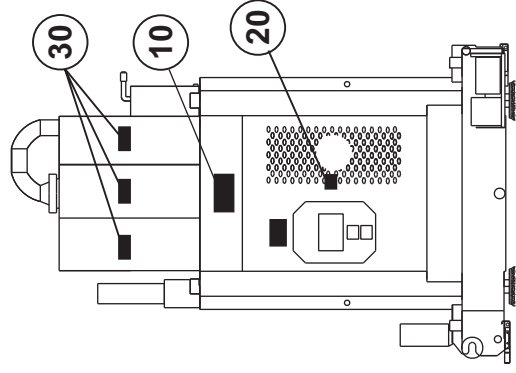
Pellerin Milnor Corporation  
P. O. Box 400, Kenner, LA 70063-0400

Litho in U.S.A.

### ISO Placards shown on this page

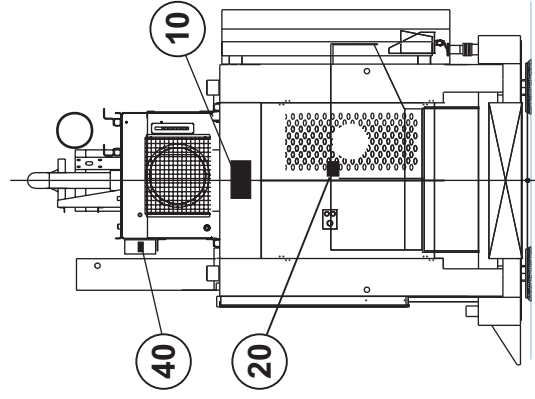
**Notes:**

1. Replace placard immediately, if removed or unreadable.
2. Approximate locations of placards are shown. Mounting holes are provided on machine. If aluminum placard use #8 self-tapping screws.

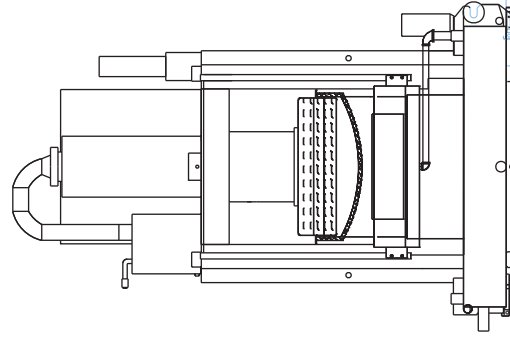


REAR VIEW

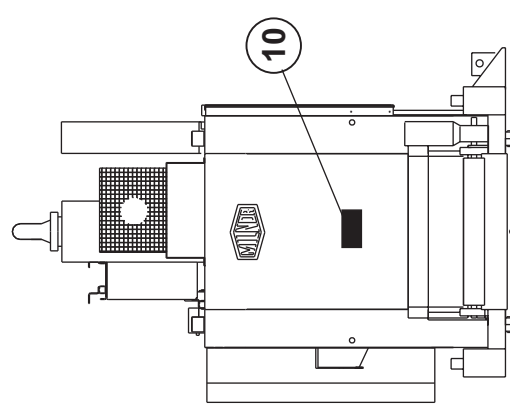
PLAN VIEW



LEFT VIEW



FRONT VIEW



RIGHT VIEW

# Safety Placard Use and Placement ISO

BMP040037/2020275B  
(Sheet 2 of 2)



Pellerin Milnor Corporation  
P. O. Box 400, Kenner, LA 70063-0400

Litho in U.S.A.

## Parts List—Safety Placard Placement

Find the correct assembly first, then find the needed components. The item letters (A, B, C, etc.) assigned to assemblies are referred to in the "Used In" column to identify which components belong to an assembly. The item numbers (1, 2, 3, etc.) assigned to components relate the parts list to the illustration.

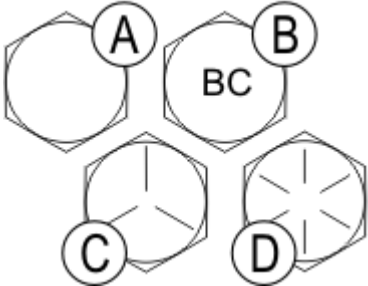
Used In	Item	Part Number	Description	Comments
			-----COMPONENTS-----	
all	10	01 10668X	NPLT:S.PRESS WARNINGS-ISO	
all	20	01 10577X	NPLT:PRESS WRNG CRUSHING-ISO	
all	30	01 10377	NPLTE:"WARNING" 4X4	
all	40	01 10375	NPLTE:"WARNING" 2X2	

# Torque Requirements for Fasteners

BNUUUN02.C01 0000222451 A.3 B.3 1/2/20 2:14 PM Released

The document about the assembly gives the torque requirements for other fasteners. **If fastener torque specifications or threadlocker requirements in an assembly document are different from this document, use the assembly document.**

Figure 1. The Bolts in Milnor® Equipment

The Marks on Bolt Heads	Legend
	<p><b>A</b> . . . SAE Grades 1 and 2, ASTM A307, and stainless steel</p> <p><b>B</b> . . . Grade BC, ASTM A354</p> <p><b>C</b> . . . SAE Grade 5, ASTM A449</p> <p><b>D</b> . . . SAE Grade 8 and ASTM A354 BD</p>

## 1. Torque Values

BNUUUN02.C02 0000222449 A.3 B.3 1/2/20 2:14 PM Released

These tables give the standard dimension, grade, threadlocker, and torque requirements for fasteners frequently used on Milnor® equipment.



**NOTE:** Data from the Pellerin Milnor® Corporation “Bolt Torque Specification” (bolt\_torque\_milnor.xls/2002096).

### 1.1. Fasteners Made of Carbon Steel

BNUUUN02.C03 0000222448 A.3 B.3 1/2/20 2:14 PM Released

#### 1.1.1. Without a Threadlocker

BNUUUN02.C04 0000222447 A.3 B.3 1/2/20 2:14 PM Released

Table 1. Torque Values for Standard Fasteners with Maximum 5/16-inch Diameters and No Lubricant

Dimension	The Grade of the Bolt							
	Grade 2		Grade 5		Grade 8		Grade BC	
	Pound-Inches	N-m	Pound-Inches	N-m	Pound-Inches	N-m	Pound-Inches	N-m
1/4 x 20	66	7	101	11	143	16	126	14
1/4 x 28	76	9	116	13	163	18	–	–
5/16 x 18	136	15	209	24	295	33	258	29
5/16 x 24	150	17	232	26	325	37	–	–

Table 2. Torque Values for Standard Fasteners Larger Than 5/16-inch Diameters and No Lubricant

Dimension	The Grade of the Bolt							
	Grade 2		Grade 5		Grade 8		Grade BC	
	Pound-Feet	N-m	Pound-Feet	N-m	Pound-Feet	N-m	Pound-Feet	N-m
3/8 x 16	20	27	31	42	44	59	38	52
3/8 x 24	23	31	35	47	50	68	–	–
7/16 x 14	32	43	49	66	70	95	61	83
7/16 x 20	36	49	55	75	78	105	–	–
1/2 x 13	49	66	75	102	107	145	93	126
1/2 x 20	55	75	85	115	120	163	–	–



**Torque Values for Standard Fasteners Larger Than 5/16-inch Diameters and No Lubricant (cont'd.)**

Dimension	The Grade of the Bolt							
	Grade 2		Grade 5		Grade 8		Grade BC	
	Pound-Feet	N-m	Pound-Feet	N-m	Pound-Feet	N-m	Pound-Feet	N-m
9/16 x 12	70	95	109	148	154	209	134	182
9/16 x 18	78	106	121	164	171	232	–	–
5/8 x 11	97	131	150	203	212	287	186	252
5/8 x 18	110	149	170	231	240	325	–	–
3/4 x 10	172	233	266	361	376	510	329	446
3/14 x 16	192	261	297	403	420	569	–	–
7/8 x 9	167	226	429	582	606	821	531	719
7/8 x 14	184	249	473	641	668	906	–	–
1 x 8	250	339	644	873	909	1232	796	1079
1 x 12	274	371	704	954	994	1348	–	–
1 x 14	281	381	723	980	1020	1383	–	–
1 1/8 x 7	354	480	794	1077	1287	1745	1126	1527
1 1/8 x 12	397	538	891	1208	1444	1958	–	–
1 1/4 x 7	500	678	1120	1519	1817	2464	1590	2155
1 1/4 x 12	553	750	1241	1682	2012	2728	–	–
1 3/8 x 6	655	888	1469	1992	2382	3230	2085	2827
1 3/8 x 12	746	1011	1672	2267	2712	3677	–	–
1 1/2 x 6	869	1178	1949	2642	3161	4286	2767	3751
1 1/2 x 12	979	1327	2194	2974	3557	4822	–	–

**Table 3. Torque Values for Plated Fasteners with Maximum 5/16-inch Diameters and No Lubricant**

Dimension	The Grade of the Bolt							
	Grade 2		Grade 5		Grade 8		Grade BC	
	Pound-Inches	N-m	Pound-Inches	N-m	Pound-Inches	N-m	Pound-Inches	N-m
1/4 x 20	49	6	76	9	107	12	95	11
1/4 x 28	56	6	88	10	122	14	–	–
5/16 x 18	102	12	156	18	222	25	193	22
5/16 x 24	113	13	174	20	245	28	–	–

**Table 4. Torque Values for Plated Fasteners Larger Than 5/16-inch Diameters and No Lubricant**

Dimension	The Grade of the Bolt							
	Grade 2		Grade 5		Grade 8		Grade BC	
	Pound-Feet	N-m	Pound-Feet	N-m	Pound-Feet	N-m	Pound-Feet	N-m
3/8 x 16	15	20	23	31	33	44	29	38
3/8 x 24	17	23	26	35	37	49	–	–
7/16 x 14	24	32	37	50	52	71	46	61
7/16 x 20	27	36	41	55	58	78	–	–
1/2 x 13	37	49	56	76	80	106	70	93
1/2 x 20	41	55	64	85	90	120	–	–
9/16 x 12	53	70	81	110	115	153	101	134
9/16 x 18	59	79	91	122	128	174	–	–
5/8 x 11	73	97	113	150	159	212	139	186
5/8 x 18	83	110	127	172	180	240	–	–
3/4 x 10	129	173	200	266	282	376	246	329
3/14 x 16	144	192	223	297	315	420	–	–
7/8 x 9	125	166	322	430	455	606	398	531
7/8 x 14	138	184	355	474	501	668	–	–
1 x 8	188	250	483	644	682	909	597	796

**Torque Values for Plated Fasteners Larger Than 5/16-inch Diameters and No Lubricant (cont'd.)**

Dimension	The Grade of the Bolt							
	Grade 2		Grade 5		Grade 8		Grade BC	
	Pound-Feet	N-m	Pound-Feet	N-m	Pound-Feet	N-m	Pound-Feet	N-m
1 x 12	205	274	528	716	746	995	–	–
1 x 14	210	280	542	735	765	1037	–	–
1 1/8 x 7	266	354	595	807	966	1288	845	1126
1 1/8 x 12	298	404	668	890	1083	1444	–	–
1 1/4 x 7	375	500	840	1120	1363	1817	1192	1590
1 1/4 x 12	415	553	930	1261	1509	2013	–	–
1 3/8 x 6	491	655	1102	1470	1787	2382	1564	2085
1 3/8 x 12	559	758	1254	1672	2034	2712	–	–
1 1/2 x 6	652	870	1462	1982	2371	3161	2075	2767
1 1/2 x 12	733	994	1645	2194	2668	3557	–	–

**1.1.2. With a Threadlocker**

BNUUUN02.C05 0000222446 A.3 B.3 1/2/20 2:14 PM Released

**Table 5. Threadlocker by the Diameter of the Bolt (see below Note )**

LocTite Product	Dimension			
	1/4-inch	1/4- to 5/8-inch	5/8- to 7/8-inch	1-inch +
LocTite 222	OK			
LocTite 242		OK		
LocTite 262			OK	
LocTite 272			High temperature	
LocTite 277				OK



**NOTE:** The acceptable bolt size ranges for various LocTite® threadlocking products is the LocTite manufacturer's **general** recommendation. Specific applications sometime require that a LocTite product is applied to a bolt size outside the ranges shown here. For example, Milnor® specifies LocTite 242 for use on certain 1" bolt applications and has confirmed this usage with the LocTite manufacturer. You may see variances such as this in the documentation for specific machine assemblies.

**Table 6. Torque Values if You Apply LocTite 222**

Dimension	The Grade of the Bolt							
	Grade 2		Grade 5		Grade 8		Grade BC	
	Pound-Inches	N-m	Pound-Inches	N-m	Pound-Inches	N-m	Pound-Inches	N-m
1/4 x 20	60	7	96	11	132	15	108	12
1/4 x 28	72	8	108	12	144	16	–	–

**Table 7. Torque Values if You Apply LocTite 242**

Dimension	The Grade of the Bolt							
	Grade 2		Grade 5		Grade 8		Grade BC	
	Pound-Feet	N-m	Pound-Feet	N-m	Pound-Feet	N-m	Pound-Feet	N-m
5/16 x 18	11	15	17	23	25	34	22	30
5/16 x 24	13	18	19	26	27	37	27	37
3/8 x 16	20	27	31	42	44	60	38	52
3/8 x 24	23	31	35	47	50	68	–	–
7/16 x 14	32	43	49	66	70	95	61	83
7/16 x 20	36	49	55	75	78	106	–	–
1/2 x 13	49	66	75	102	107	145	93	126

**Torque Values if You Apply LocTite 242 (cont'd.)**

Dimension	The Grade of the Bolt							
	Grade 2		Grade 5		Grade 8		Grade BC	
	Pound-Feet	N-m	Pound-Feet	N-m	Pound-Feet	N-m	Pound-Feet	N-m
1/2 x 20	55	75	85	115	120	163	–	–
9/16 x 12	70	95	109	148	154	209	134	182
9/16 x 18	78	106	121	164	171	232	–	–
5/8 x 11	97	132	150	203	212	287	186	252
5/8 x 18	110	149	170	230	240	325	–	–

**Table 8. Torque Values if You Apply LocTite 262**

Dimension	The Grade of the Bolt							
	Grade 2		Grade 5		Grade 8		Grade BC	
	Pound-Feet	N-m	Pound-Feet	N-m	Pound-Feet	N-m	Pound-Feet	N-m
3/4 x 10	155	210	240	325	338	458	296	401
3/4 x 16	173	235	267	362	378	512	–	–
7/8 x 9	150	203	386	523	546	740	477	647
7/8 x 14	165	224	426	578	601	815	–	–

**Table 9. Torque Values if You Apply LocTite 272 (High-Temperature)**

Dimension	The Grade of the Bolt							
	Grade 2		Grade 5		Grade 8		Grade BC	
	Pound-Feet	N-m	Pound-Feet	N-m	Pound-Feet	N-m	Pound-Feet	N-m
1 x 8	350	475	901	1222	1272	1725	1114	1510
1 x 12	383	519	986	1337	1392	1887	–	–
1 x 14	393	533	1012	1372	1428	1936	–	–
1-1/8 x 7	496	672	1111	1506	1802	2443	1577	2138
1-1/8 x 12	556	754	1247	1691	2022	2741	–	–
1-1/4 x 7	700	949	1568	2126	2544	3449	2226	3018
1-1/4 x 12	774	1049	1737	2355	2816	3818	–	–
1-3/8 x 6	917	1243	2056	2788	3335	4522	2919	3958
1-3/8 x 12	1044	1415	2341	3174	3797	5148	–	–
1-1/2 x 6	1217	1650	2729	3700	4426	6001	3873	5251
1-1/2 x 12	1369	1856	3071	4164	4980	6752	–	–

**Table 10. Torque Values if You Apply LocTite 277**

Dimension	The Grade of the Bolt							
	Grade 2		Grade 5		Grade 8		Grade BC	
	Pound-Feet	N-m	Pound-Feet	N-m	Pound-Feet	N-m	Pound-Feet	N-m
1 x 8	325	441	837	1135	1181	1601	1034	1402
1 x 12	356	483	916	1242	1293	1753	–	–
1 x 14	365	495	939	1273	1326	1798	–	–
1-1/8 x 7	461	625	1032	1399	1674	2270	1464	1985
1-1/8 x 12	516	700	1158	1570	1877	2545	–	–
1-1/4 x 7	650	881	1456	1974	2362	3202	2067	2802
1-1/4 x 12	719	975	1613	2187	2615	3545	–	–
1-3/8 x 6	851	1154	1909	2588	3097	4199	2710	3674
1-3/8 x 12	970	1315	2174	2948	3526	4781	–	–
1-1/2 x 6	1130	1532	2534	3436	4110	5572	3597	4877
1-1/2 x 12	1271	1723	2852	3867	4624	6269	–	–

## 1.2. Stainless Steel Fasteners

BNUUUN02.C06 0000222445 A.3 B.3 1/2/20 2:14 PM Released

**Table 11. Torque Values for Stainless Steel Fasteners 5/16-inch and Smaller**

Dimension	316 Stainless		18-8 Stainless		18-8 Stainless with Loctite 767	
	Pound-Inches	N-m	Pound-Inches	N-m	Pound-Inches	N-m
1/4 x 20	79	9	76	9	45	5
1/4 x 28	100	11	94	11	56	6
5/16 x 18	138	16	132	15	79	9
5/16 x 24	148	17	142	16	85	10

**Table 12. Torque Values for Stainless Steel Fasteners Larger Than 5/16-inch**

Dimension	316 Stainless		18-8 Stainless		18-8 Stainless with Loctite 767	
	Pound-Feet	N-m	Pound-Feet	N-m	Pound-Feet	N-m
3/8 x 16	21	28	20	27	12	16
3/8 x 24	23	31	22	29	13	18
7/16 x 14	33	44	31	42	19	25
7/16 x 20	35	47	33	45	20	27
1/2 x 13	45	61	43	58	26	35
1/2 x 20	47	64	45	61	27	37
9/16 x 12	59	81	57	77	34	46
9/16 x 18	66	89	63	85	38	51
5/8 x 11	97	131	93	125	56	75
5/8 x 18	108	150	104	141	62	84
3/4 x 10	132	179	128	173	77	104
3/4 x 16	130	176	124	168	75	101
7/8 x 9	203	275	194	263	116	158
7/8 x 14	202	273	193	262	116	157
1 x 8	300	406	287	389	172	233
1 x 14	271	367	259	351	156	211
1-1/8 x 7	432	586	413	560	248	336
1-1/8 x 12	408	553	390	529	234	317
1-1/4 x 7	546	740	523	709	314	425
1-1/4 x 12	504	683	480	651	288	390
1-1/2 x 6	930	1261	888	1204	533	722
1-1/2 x 12	732	992	703	953	422	572

## 2. Preparation

BNUUUN02.T01 0000222511 A.3 B.3 1/2/20 2:14 PM Released



**WARNING: Fire Hazard** — Some solvents and primers are flammable.

- ▶ Use threadlocker and primers with sufficient airflow.
  - ▶ Do not use flammable material near ignition sources.
1. Clean all threads with a wire brush or a different tool.
  2. Remove the grease from the fasteners and the mating threads with solvent. Make the parts dry.



**NOTE:** Loctite 7649 Primer™ or standard solvents will remove grease from parts.

- Apply a spray of LocTite 7649 Primer™ or equal on the fasteners and the mating threads. Let the primer dry for one minute minimum.

### 3. How to Apply a Threadlocker

BNUUUN02.T02 0000222508 A.3 B.3 11/26/19 2:48 PM Released

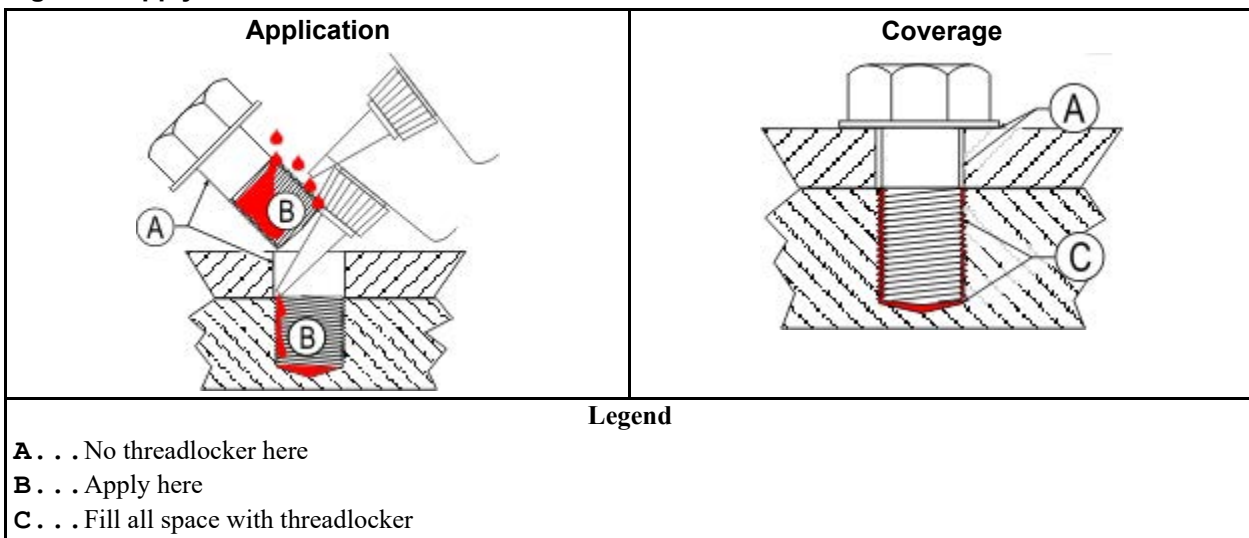


**CAUTION: Malfunction Hazard** — Heat, vibration, or mechanical shocks can let the fasteners loosen if you do not apply the threadlocker correctly. Loose fasteners can cause malfunctions of the equipment.

- ▶ Read the threadlocker manufacturer's instructions and warnings. Obey these instructions.

Apply the threadlocker only to the areas where the fastener threads and the mating threads engage.

**Figure 2. Apply Threadlocker in a Blind Hole**



#### 3.1. Blind Holes

BNUUUN02.T03 0000222507 A.3 B.3 1/2/20 2:14 PM Released

- Apply the threadlocker down the threads to the bottom of the hole.
- Apply the threadlocker to the bolt.
- Tighten the bolt to the value shown in the correct table ([Threadlocker by the Diameter of the Bolt](#) (see below Note ) This topic can be found in Milnor document elsewhere to [Torque Values for Stainless Steel Fasteners 5/16-inch and Smaller](#) This topic can be found in Milnor document elsewhere).

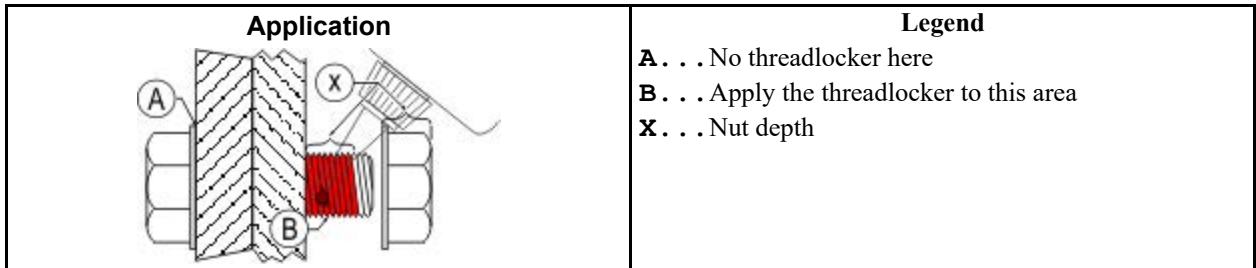
#### 3.2. Through Holes

BNUUUN02.T04 0000222506 A.3 B.3 11/26/19 2:51 PM Released

- Put the bolt through the assembly.
- Apply the threadlocker only to the bolt thread area that will engage the nut.

- Tighten the bolt to the value shown in the correct table ([Threadlocker by the Diameter of the Bolt](#) (see below Note) This topic can be found in Milnor document elsewhere to [Torque Values for Stainless Steel Fasteners 5/16-inch and Smaller](#) This topic can be found in Milnor document elsewhere).

**Figure 3. Apply Threadlocker in a Through Hole**



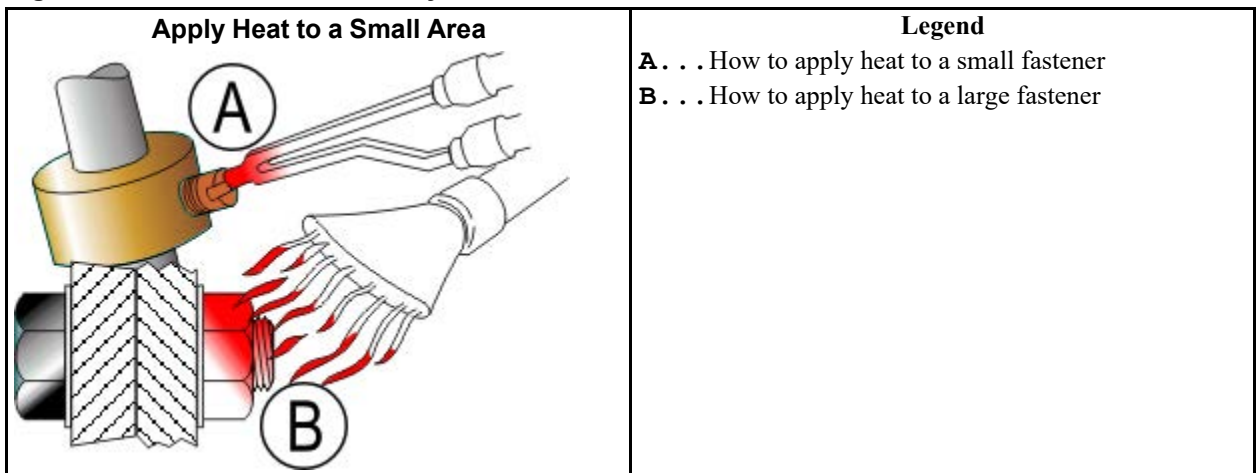
### 3.3. Disassembly

BNUUUN02.C07 0000222444 A.3 B.3 11/26/19 2:59 PM Released

For high-strength threadlocker, apply heat for five minutes. Disassemble with hand tools while the parts are hot.

For low-strength and moderate-strength threadlocker, disassemble with hand tools.

**Figure 4. Use heat for disassembly of fasteners with threadlocker.**



End of document: BNUUUN02

# Housing Assemblies

1

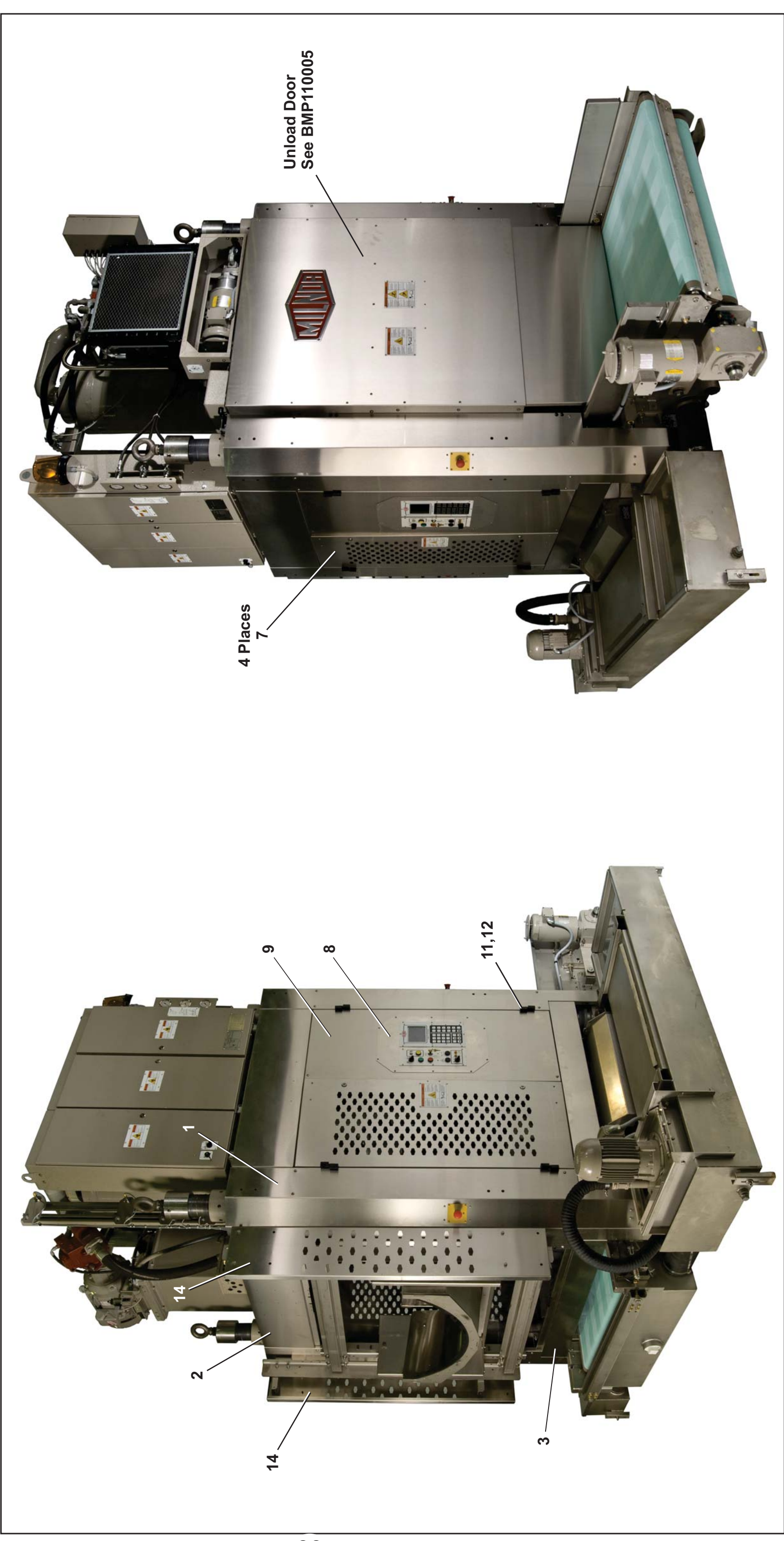
**Guards, Covers, & Cosmetics**  
MP1540, MP1556, MP1640, MP1650, MP1656  
MPL550, MPL556, MPL640, MPL650, MPL656

BMP110001/2021055B  
(1/3)



Pellerin Milnor Corporation  
P. O. Box 400, Kenner, LA 70063-0400

Litho in U.S.A.

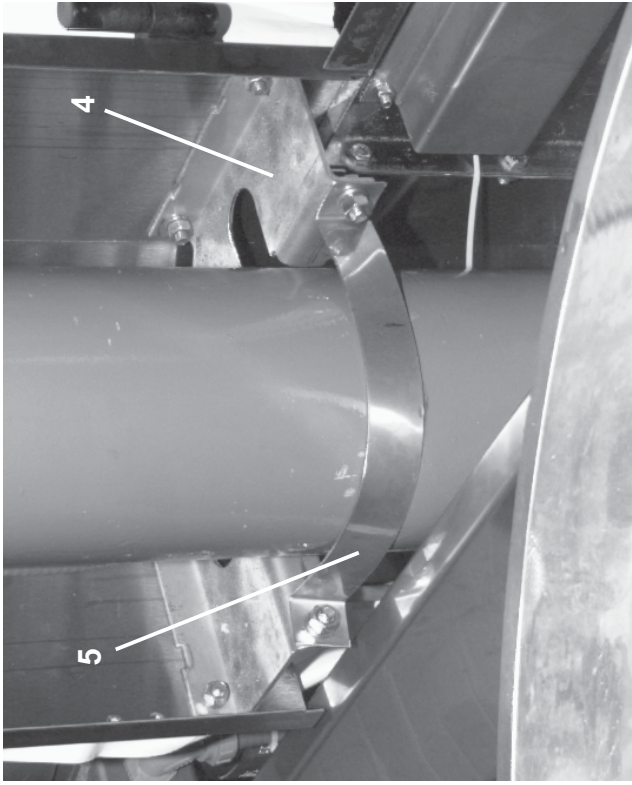




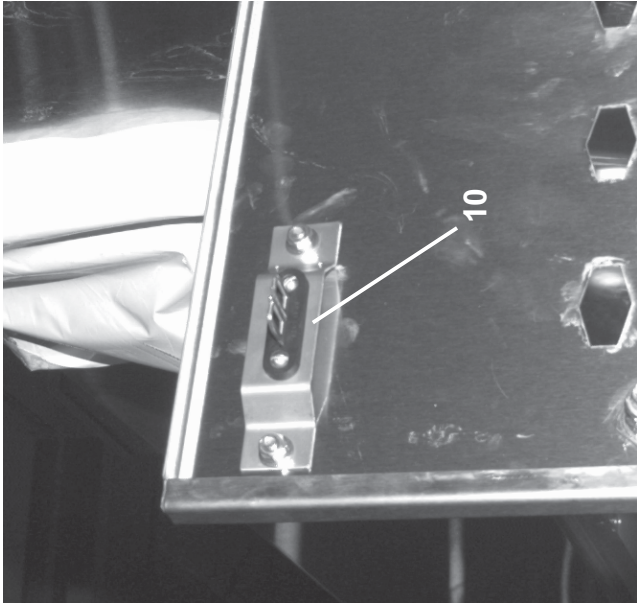


**Pellerin Milnor Corporation**  
 P. O. Box 400, Kenner, LA 70063-0400

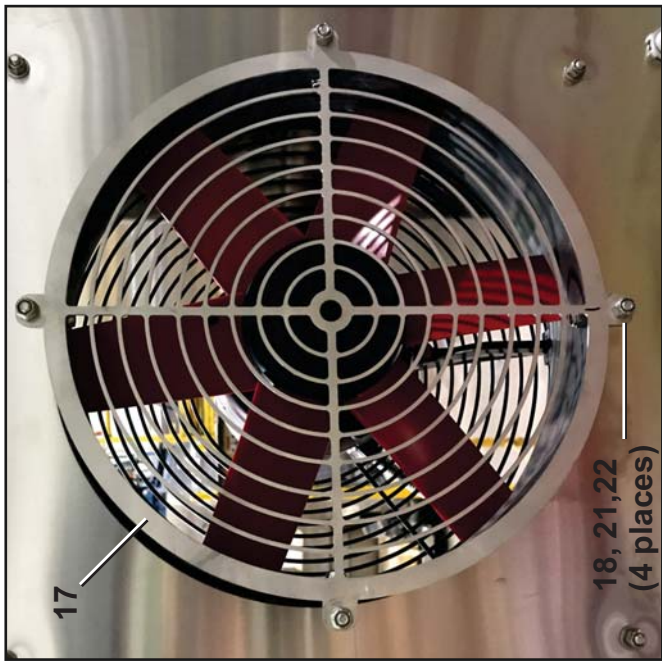
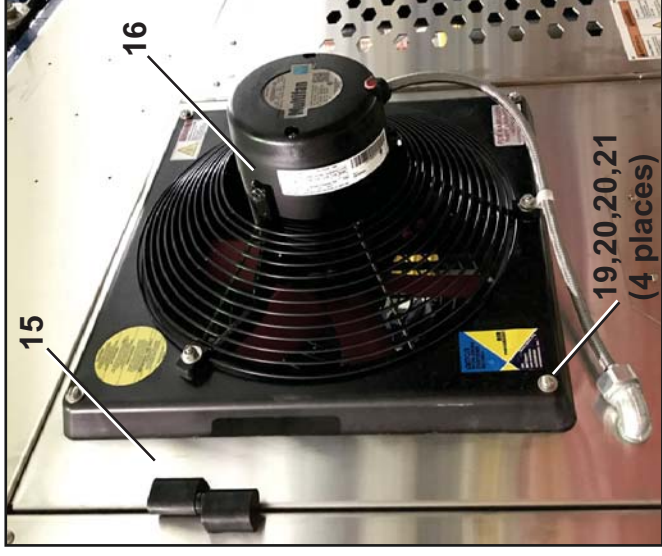
Litho in U.S.A.



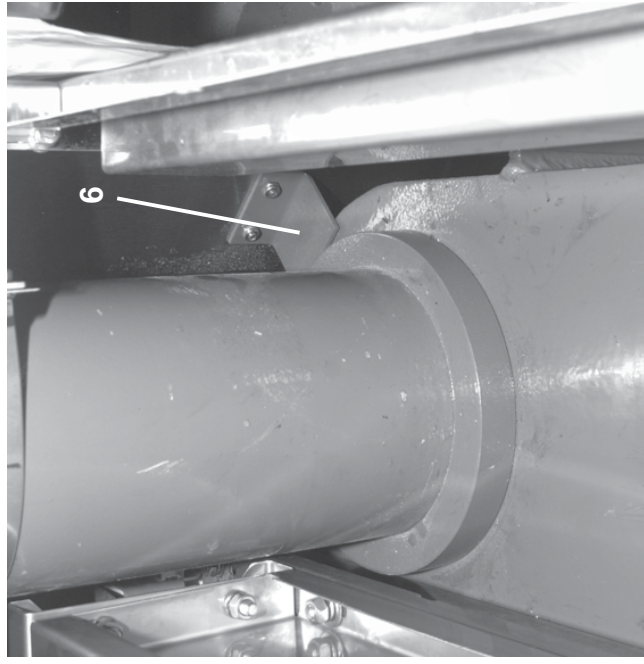
Typical Cosmetic to Frame Connections



Typical Door Striker Mounting



Door with Fan



Safety Stand Storage Bracket  
 (Safety Stands, See BMP110003)

**Guards, Covers, & Cosmetics**  
**MP1540, MP1556, MP1640, MP1650, MP1656**  
**MPL550, MPL556, MPL640, MPL650, MPL656**

BMP110001/2021055B  
 (3 / 3)



**Pellerin Milnor Corporation**  
 P. O. Box 400, Kenner, LA 70063-0400

Litho in U.S.A.

Used In		Item	Part Number	Description	Comments
<p><b>Parts List—Guards, Covers, &amp; Cosmetics</b>                      Find the correct assembly first, then find the needed components. The item letters (A, B, C, etc.) assigned to assemblies are referred to in the "Used In" column to identify which components belong to an assembly. The item numbers (1, 2, 3, etc.) assigned to components relate the parts list to the illustration.</p>					
	A	ACS10000	SSPRESS COSMETIC ASSY	ASSEMBLIES	MP1540,MP1640,MP1650 MPL640, MPL650
	B	ACS10000A	COSMETIC ASSY W/ BOOSTER PUMP		MP1556,MP1656 MPL556, MPL656
	C	ACS10019A	DOOR W/FAN ON LF SIDE-MP15/16 R,CR		All
-----COMPONENTS-----					
all	1	07 10200	COSMETIC COVER CORNER		
all	2	07 10210	COSM TOP DOOR FRAME		
all	3	07 10284	COSM CONV LOADEND FRAME		
all	4	07 10205	COSM CORNER ATTACH BRKT		
all	5	07 10206	COSMETIC CORNER STRAP		
all	6	07 10200B	COSMETIC CORNER SUPPORT BRKT		
all	7	07 10246	SSPRESS DOOR PANEL		
all	8	07 10255A	SPRESS FLT REC SWPNL		
all	9	07 10256	SSPRESS DOOR-CTRL PANNEL		
all	10	07 10363	DOOR STRIKER MTG BRKT		
all	11	27A115	OFFSET HINGE RGTHD FREESWING		
all	12	27A116	OFFSET HINGE LFTHD FREESWING		
all	13	07 10204	SAFETY STAND HANGER-SSPRESS		
all	14	07 10018	LOADCHUTE GUARD 7632		
all	15	07 10616	SSPRESS DOOR-CNTRL PANEL-FAN-RT		
all	15	07 10616A	SSPRESS DOOR-CNTRL PANEL-FAN-LFT		
all	16	13AF210071	FAN 2100 CFM 240V 60HZ		
all	17	07 10680	FAN GUARD SS PRESS		
all	18	07 10619	PRESS FAN GUARD MNT		
all	19	15N200	FILMACSCR 1/4-20UNCX2 SS18-8 S		
all	20	15U185	FLATWASHER(USS STD) 1/4" ZNC P		
all	21	15G164NE	HEXLOKNIUT NYL 1/4-20 UNC2A SS.		
all	22	15K031	BUTSOKCAPSCR 1/4-20X1/2 SS18-8		

# Use the Red Safety Supports for Maintenance — MP1540\_, MPL5\_, MPL6\_, MP1A\_

BNP1UH02.C01 0000374261 B.4 B.2 8/20/21 10:29 AM Released

## 1. What Safety Supports are Provided and Why

BNP1UH02.C02 0000374259 B.4 A.6 8/19/21 10:29 AM Released

These machines are provided with two safety stands and two ram safety bars. After the ram is raised, the safety bars are connected between the platen and the press top plate. After the can is raised, the stands are placed under the can (but not under the ram). The safety supports provide protection against the drifting down of the vertically moving portion of the machine during maintenance in the event of a leak in the hydraulic system. They are not intended to restrain the machine from coming down under power. Use the safety support(s) whenever the maintenance to be performed requires you to place any part of your body in or near the path of the vertically moving portion of the machine.



**WARNING:** **Incorrect use of the safety supports** — can cause the machine to descend and crush you.



- ▶ Never work near the path of the vertically moving portion of the machine unless the safety supports are deployed and power is removed from the machine.
- ▶ Do not use power to close a small gap between the machine and the safety supports. Use care not to lower the machine with the safety supports

deployed.

- ▶ Where a pair of safety supports is provided, always use both supports.
- ▶ Maintain the safety support(s) in good condition.
- ▶ When not in use, stow the safety support(s) in the location(s) provided on the machine or in a convenient, designated location.

## 2. How to Deploy the Ram Safety Bars

BNP1UH02.T02 0000374598 B.4 A.3 8/19/21 10:36 AM Released

1. Use the Manual mode to lower the can, if it is up.
2. Use the Manual mode to raise the ram.
3. See the figure at right. Install the safety bars. The safety bars attach between two eye bolts—one on the platen and one on the press top plate.
4. Remove electric power from the machine.

**Figure 1. Safety Bars Deployed**



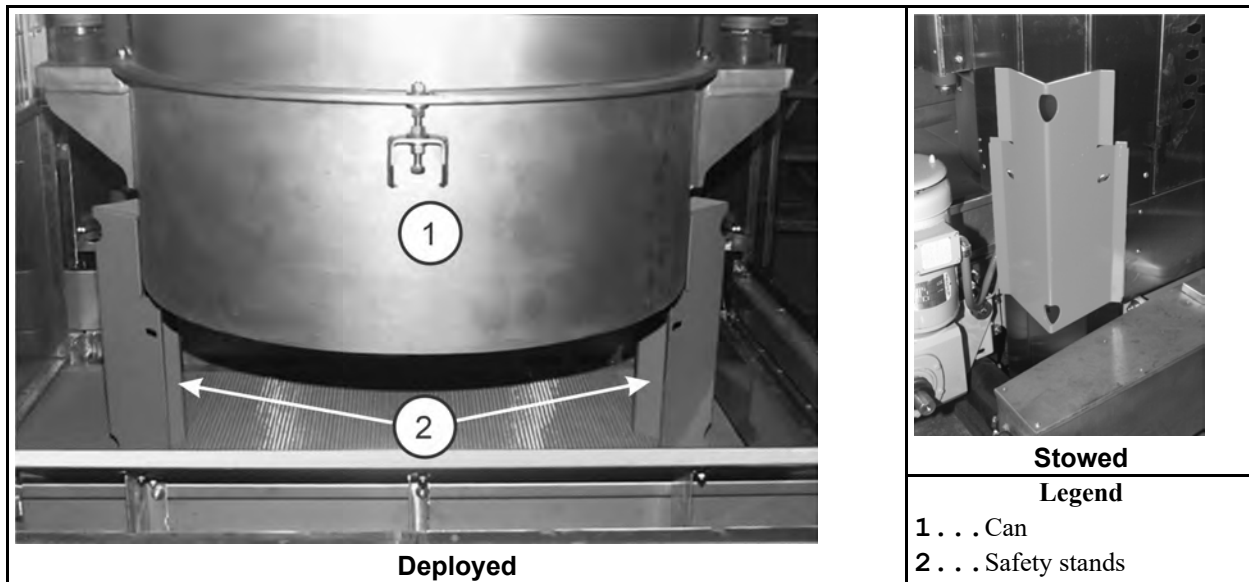
## 3. How To Deploy the Safety Stands

BNP1UH02.T01 0000374284 B.4 A.4 8/19/21 10:53 AM Released

**The ram must be up and secured with the safety bars.**

1. Use the Manual mode to raise the can.
2. See the figure below. Install the stands through the nearest door. Do not reach across the bed. Put the stands on opposite sides of the can (180 degrees apart).

**Figure 2. Safety Stands**



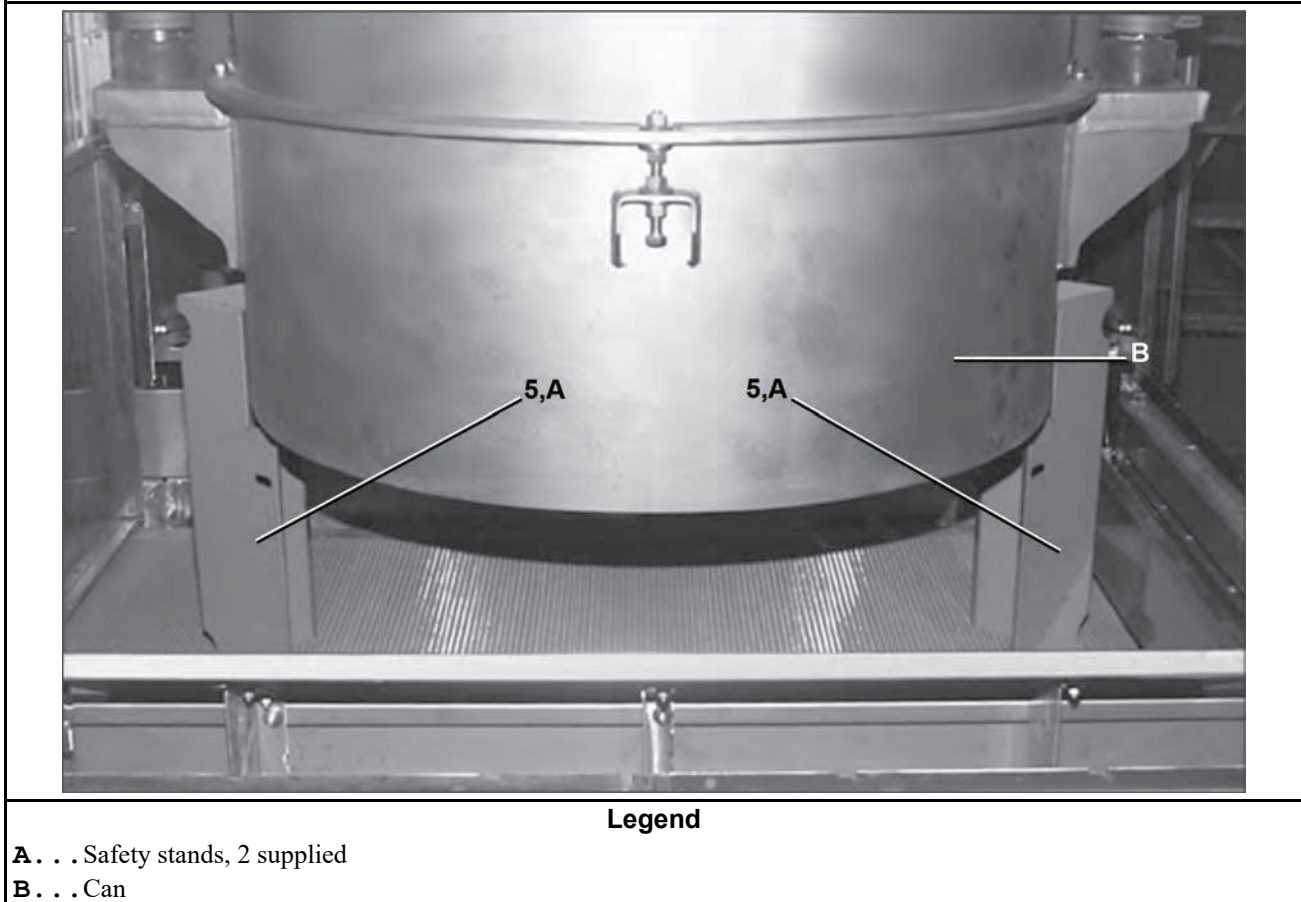
3. Remove electric power from the machine.

End of document: BNP1UH02

# Can Safety Stands and Diaphragm Bar

MP1540xx, MP1556xx, MP1640xx, MP1650xx, MP1656xx, MP1A50xx MPL556xx, MPL640xx, MPL650xx, MPL656xx

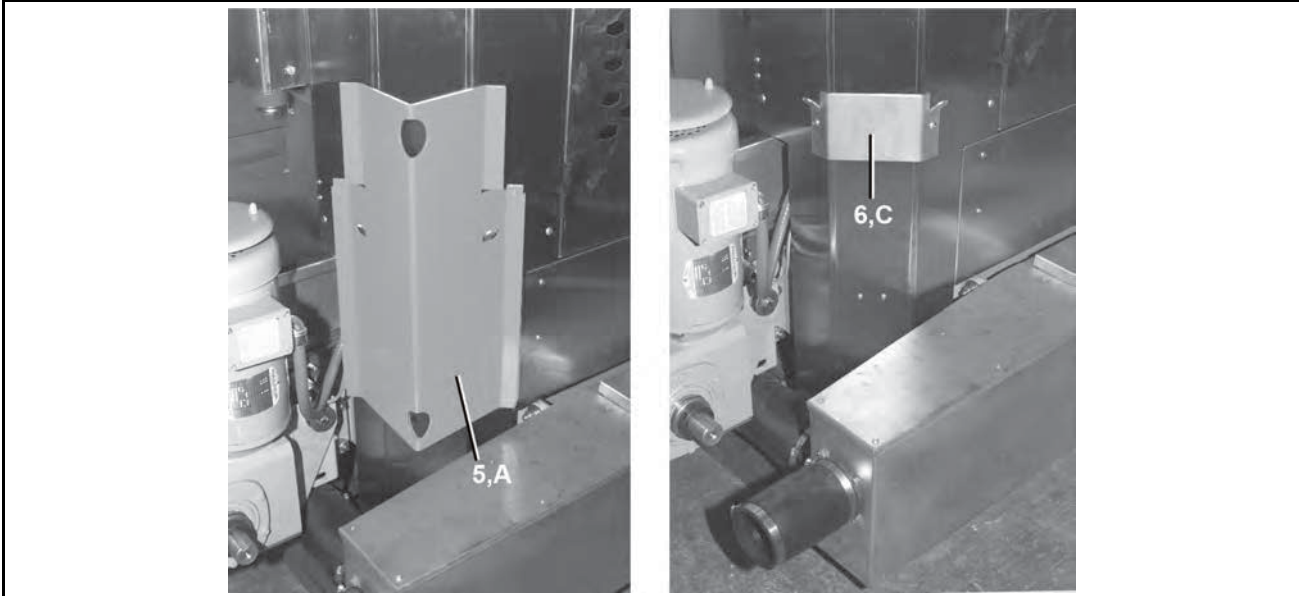
Figure 1. Can Safety Stands Deployed



# Can Safety Stands and Diaphragm Bar

MP1540xx, MP1556xx, MP1640xx, MP1650xx, MP1656xx, MP1A50xx MPL556xx, MPL640xx, MPL650xx, MPL656xx

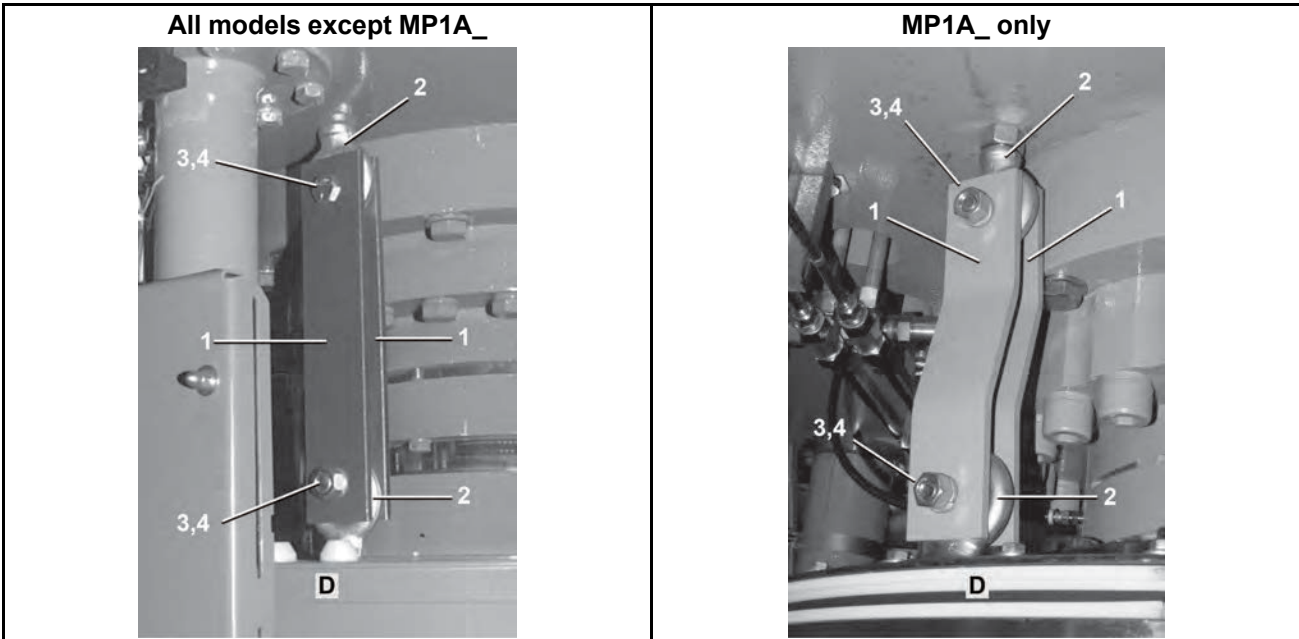
Figure 2. Safety and Storage



**Legend**

- A . . . Safety stands, 2 supplied
- C . . . Storage bracket, 2 instances

Figure 3. Diaphragm Safety Bar Deployed



**Legend**

- D . . . Platen

# Can Safety Stands and Diaphragm Bar

MP1540xx, MP1556xx, MP1640xx, MP1650xx, MP1656xx, MP1A50xx MPL556xx, MPL640xx, MPL650xx, MPL656xx

**Table 1. Parts List—Can Safety Stands and Diaphragm Bar**

Find the assembly for your machine and the letter shown in the "Item" column. The components for your machine will show this letter or the word "all" in the "Used In" column. The numbers shown in the "Item" column are those shown in the illustrations.				
Used In	Item	Part Number	Description/Nomenclature	Comments
Reference Assemblies				
	A	AHT10031A	SHIP WITH MACHINE-SSPRESS	MP1540, MP1556, MP1640, MPL556, MPL640
	B	AHT10031	SHIP WITH MACHINE-MP1656	MP1650, MP1656, MPL650, MPL656
	C	AHT10036	SHIP WITH MACHINE-MP1A03	MP1A50
	D	AHT10030	MEMBRANE SAFETY BAR-MP1603	MP1540, MP1556, MP1640, MPL556, MPL640
	E	AHT10030A	MEMBRANE SAFETY BAR-MP1604	MP1650, MP1656, MPL650, MPL656
	F	AHT10030B	DIAPHM SAFETY BAR ASSY-MP1A03	MP1A50
Components				
D	1	07 10262	DIAPHRAM SAFETY BAR	
E	1	07 10262B	DIAPHRAM SAFETY BAR-16"LG	
F	1	07 10282	MEMBRANE SAFETY BAR-47BAR	
all	2	17A054	EYEBOLT 1-8 UNC ZINC PLATED	
all	3	15K235AB	HXCAPSCR 3/4-10UNC2AX3"GR8 ZIN	
all	4	15G240	HXNUT 3/4-10UNC2B SAE ZINC GR2	
AB	5	07 30093	SAFETY SUPPORT-BELL TF60	
C	5	07 10385	SAFETY STAND-48"CAN MP1A03	
all	6	07 10204	SAFETY STAND HANGER-SSPRESS	
all	7	X7 10059	PLUG-PLATEN LIFTING EYE BOLT	
all	8	60C112	ORING 5/8"IDX3/32CS BUNA70 #114	

# Unload Safety Light Screen

MP1540, MP1556, MP1640, MP1656

Figure 1: Emitter and Receiver Installation

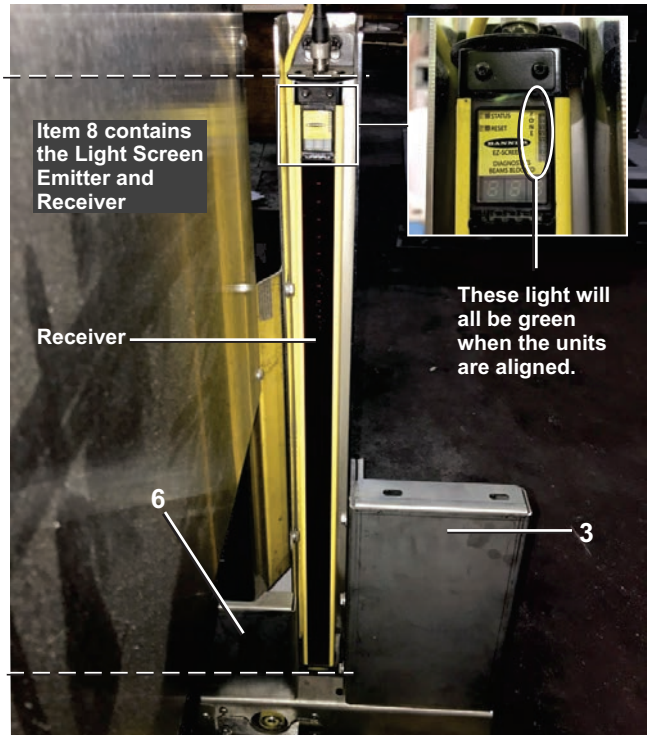
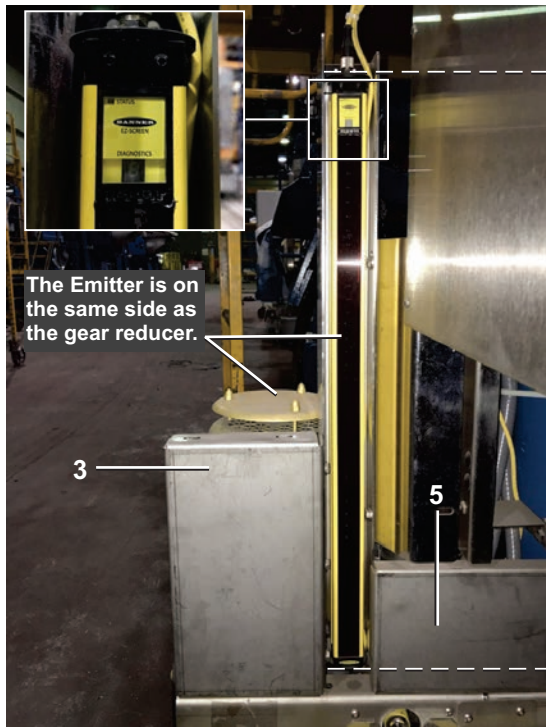


### Installation of Emitter and Receiver Repair Parts

(See the light screen instruction manual supplied with the part.)

Install the replacement the emitter and receiver into the mounting channels. The units are to be exactly parallel to each other and truly vertical. Initially, mount the units at their lowest position. The slotted mounting bracket supplied with the replacement units allow for vertical and radial adjustments, see Top View and Bottom View.

The units are in alignment when the row of lights on the receiver (shown circled below) are all green.

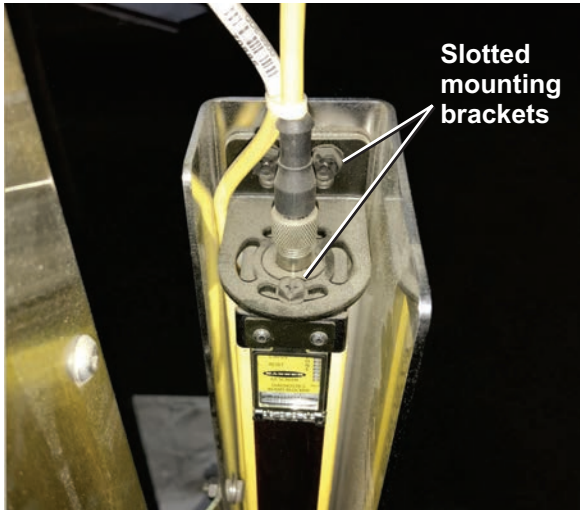




# Unload Safety Light Screen

MP1540, MP1556, MP1640, MP1656

Figure 2: Emitter and Receiver Installation



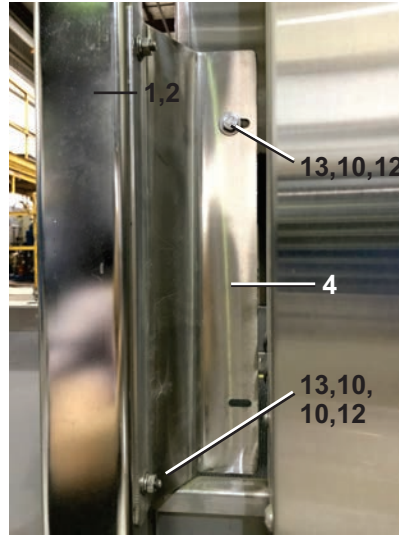
Top View



Bottom View

The slotted mounting brackets allow for vertical and radial adjustment of the Emitter and receiver units. Mounting brackets and hardware come with the Emitter and Receiver.

## Side member and channel hardware



# Unload Safety Light Screen

MP1540, MP1556, MP1640, MP1656

### Parts List

Find the correct assembly first, then find the needed components. The item letters (A, B, C, etc.) assigned to assemblies are referred to in the "Used In" column to identify which components belong to an assembly. The item numbers (1, 2, 3, etc.) assigned to components relate the parts list to the illustration.

Used In	Item	Part Number	Description	Comments
			-----ASSEMBLIES-----	
	A	ACS10022	UNLOAD LIGHT SCREEN-STD CONV MP15/16	
			-----COMPONENTS-----	
all	1	07 10729A	LIGHT SCREEN CHANNEL-RT	
all	2	07 10729	LIGHT SCREEN CHANNEL-LF	
all	3	07 10724	CONV SIDE UNLOADEND-STD	
all	4	07 10730	LIGHT SCREEN MTG BRACE-MP15/16	
all	5	07 10732	LIGHT SCREEN SIDE ADP MP15/16-RT	
all	6	07 10732A	LIGHT SCREEN SIDE ADP MP15/16-LF	
all	7	09RPE018LBB	LITE BEAM CORDSET 15.3 METER	
all	8	09RPE018LBA	LITE BEAM EMITTER/RECEIVER 600MM BANNER	
all	9	15N174	HXCAPSCR 1/4-20UNC X5/8SS18-8	
all	10	15U188	FLTWASH 1/4 STD COMM SS18-8	
all	11	15U181	LOCKWASHER MEDIUM 1/4 SS18-8	
all	12	15G170	HEXNUT 1/4-20UNC2 SS18-8	
all	13	15N186	HXCAPSCR 1/4-20X3/4 SS18-8	

**Ship With**

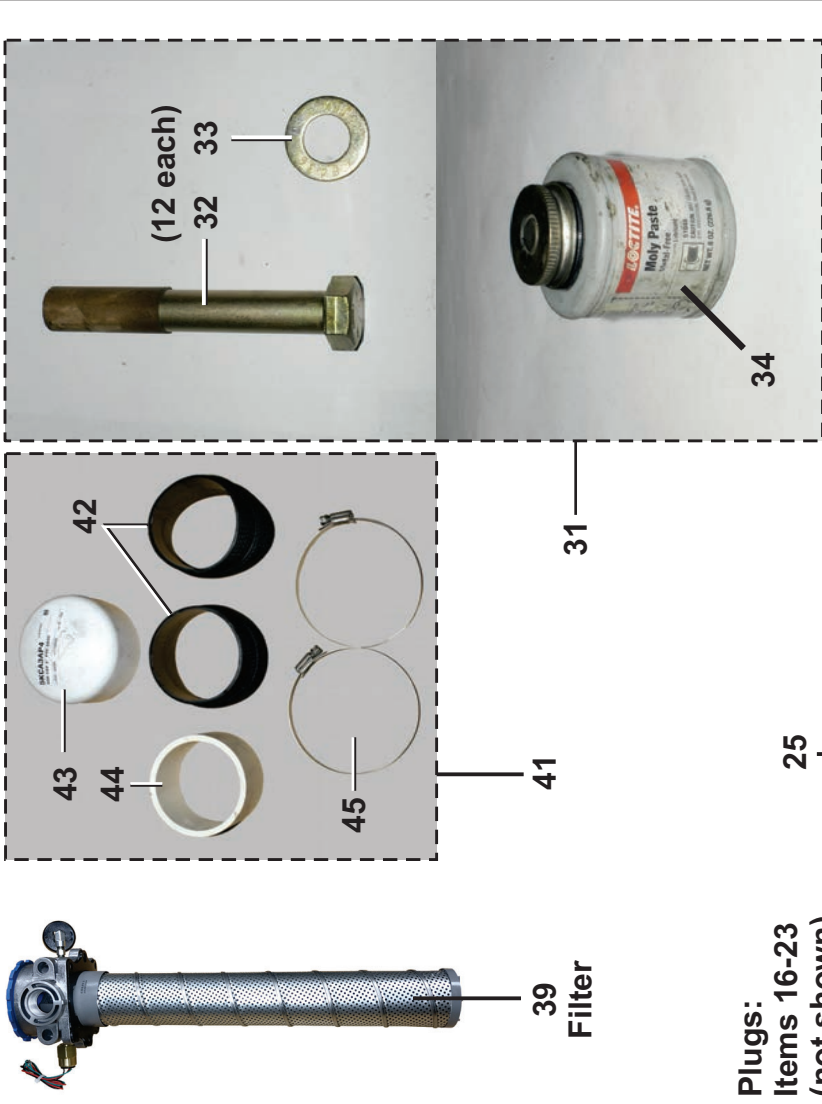
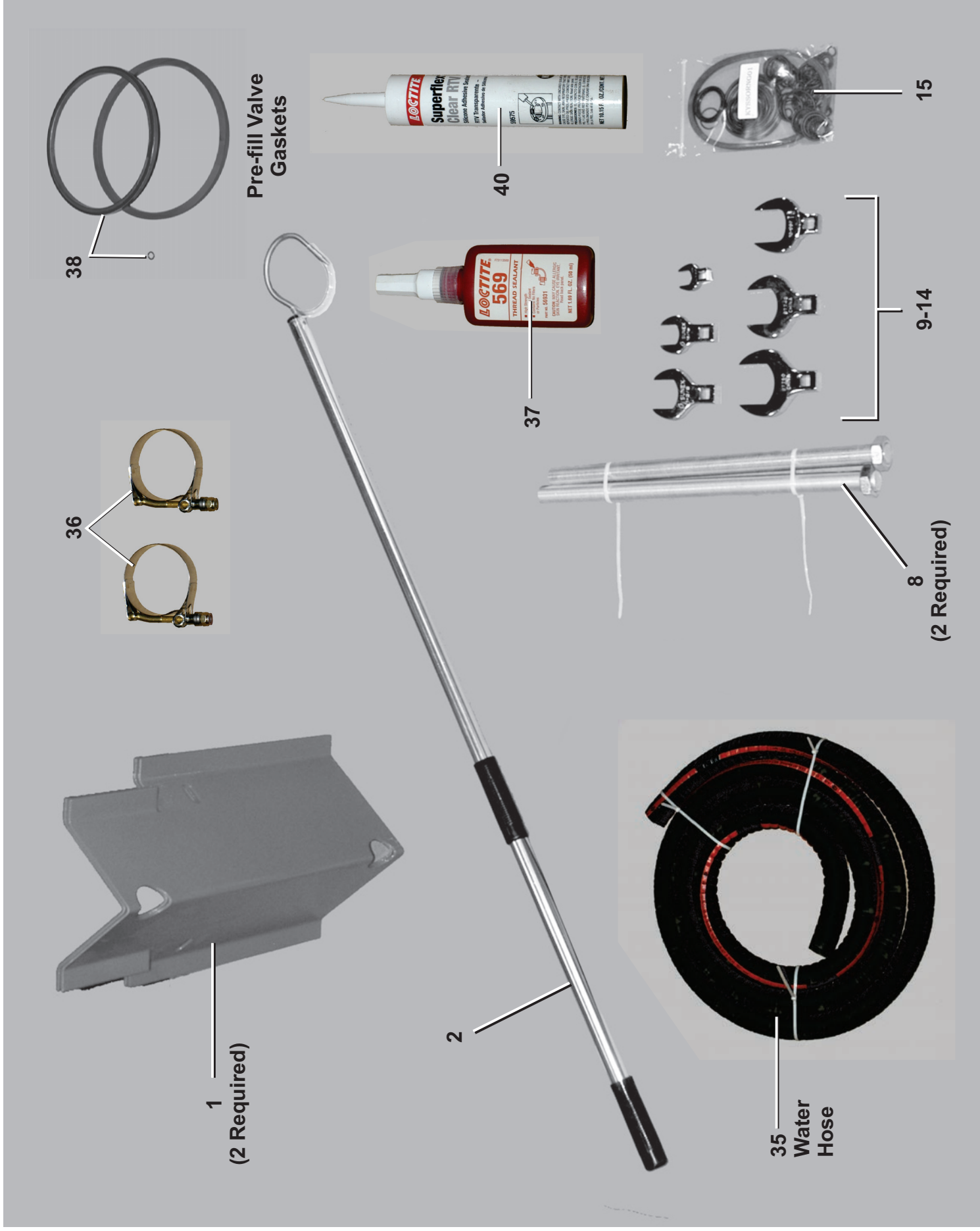
MP1540, MP1556, MP1640, MP1650, MP1656, MP1A50  
 MPL556, MPL640, MPL650, MPL656

BMP110004/2022484B  
 (1/2)

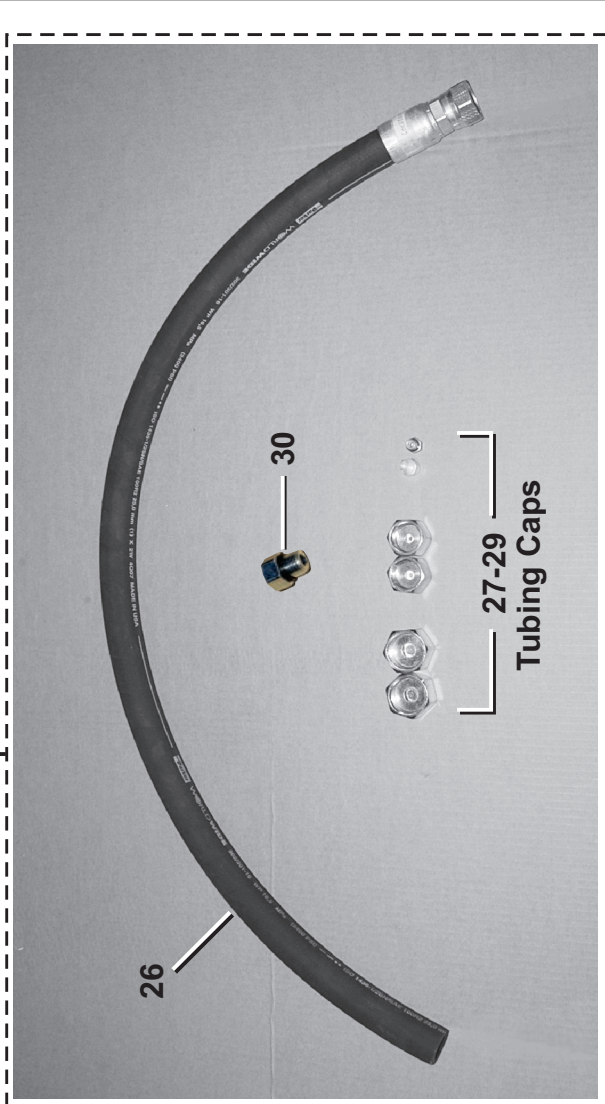


Pellerin Milnor Corporation  
 P. O. Box 400, Kenner, LA 70063-0400

Litho in U.S.A.



Plugs:  
 Items 16-23  
 (not shown)  
 See parts list.



# Ship With

MP1540, MP1556, MP1640, MP1650, MP1656, MP1A50  
MPL556, MPL640, MPL650, MPL656



**Pellerin Milnor Corporation**  
P. O. Box 400, Kenner, LA 70063-0400

BMP110004/2020275B  
(2 / 2)

Litho in U.S.A.

Used In	Item	Part Number	Description	Comments
A	AHT10031A		SHIP WITH MACHINE-MP1540,1556,1640	MP1540 MP1550, MP1640 MPL550, MPL640
B	AHT10031		SHIP WITH MACHINE-MP1656,1650	MP1656, MP1650 MPL656, MPL650
C	AHT10036		SHIP WITH MACHINE-MP1AXX	MP1A50
AB	1	07 30093	CAN SAFETY STAND-MP15/16XX	
C	1	07 10385	CAN SAFETY STAND-MP1AXX	
all	2	27A900	ALUM. GAFF 5/16"DIAX48"L W/3"	
all	8	17R036A18A	THRD ROD 1-14X18" ZINC	
all	9	97G006C	11/16" X 3/8" DR CROWSFOOT	
all	10	97G010C	15/16" X 1/2" DR CROWSFOOT	
all	11	97G014C	1+3/8" X 1/2" DR CROWSFOOT	
all	12	97G021A	1+1/2" X 1/2" DR CROWSFOOT	
all	13	97G022C	1+5/8" X 1/2" DR CROWSFOOT	
all	14	97G023C	1+7/8" X 1/2" DR CROWSFOOT	
all	15	KYSSORNG01	SS PRESS HYD ORING ASST KIT	
all	16	51P081	PLUG TAPERED 5.7"CAPLUG#T1092	
all	17	51P082	PLUGCAPNOTHD 1.437"CAPLUG#EC23	
all	18	51P083	PLUGCAPNOTHD 1.187"CAPLUG#EC19	
all	19	51P084	PLUGTHD.3/4"O.R.CAPLUG#PDF-120	
all	20	51P085	PLUGTHD.1/4"JIC CAPLUG#PD40	
all	21	51P086	PLUGTHD.1"O.R.CAPLUG#PDF160	
all	22	51P087	PLUGTHD.1"JIC CAPLUG#PD-160	
all	23	51P088	PLUGCAPSLV 13/16 #SC-13/16	
all	25	AHT10037	TROUBLE SHOOTING KIT-SSPRESS	
all	26	60EH80C48B	ASSY=HYDHOSE+ONE END 1"X48"LG	(PART OF ITEM 25)
all	27	52ZN1AS003	TUBEFIT NUT+CAP #16-FNL-S	(PART OF ITEM 25)

Parts List, cont.— Ship With				
Used In	Item	Part Number	Description	Comments
all	28	52ZN0PS003	TUBEFIT NUT+CAP 3/4" 12 FNL-S	(PART OF ITEM 25)
all	29	52ZP0ES001	TUBEFITPLUG 1/4" #4-PNLO-S	
all	30	52PY0LR001	HEXPLUG 1/4"ORING#4-P50N-S	
AB	31	AHT10038	RAM INSTL BOLTS/LUBE-MP1603	
C	31	AHT10039	RAM INSTL BOLTS/LUBE-MP1604	
AB	32	X7 10504	RAM BOLT 1-14X5"CHASED THREAD	(PART OF ITEM 31)
C	32	X7 10505	RAM BOLT 1-14X7"CHASED THREAD	(PART OF ITEM 31)
all	33	15U393	FLTWASH 1" HARD ASTM F436	(PART OF ITEM 31)
all	34	20C510	LOCTITE MOLYPASTE#51048	(PART OF ITEM 31)
all	35	60E255	HOSE 2" ID X 2.45" OD WATER CORRUGATED 50 FEET	
all	36	27A072	T-BOLT HOSECLAMP2.16-2.47CADSC	
all	37	20C002BA	HYD SEALANT 50CC LCT#569-31	
all	38	96RH712FOR	ORING KIT FOR 96RH712F	
all	39	27E7112E	FILTER 5 MIC 19"LG DONALDSON EB1254	
all	40	20C040B	SUPERFLEX CLR RTV SIL 10.1OZ	(PART OF ITEM 41)
all	41	ALC420217	UNLOAD DRAIN CONN.ADP	(PART OF ITEM 41)
all	42	02 03429	TUBE REDUCER 3.13 ID X 3.50 ID	(PART OF ITEM 41)
all	43	5KCA3AP4	SOK CAP 3" PVC Sk40	(PART OF ITEM 41)
all	44	04 21059	PIPE 3"PVC SK40X2.5"L SQ.ENDS	(PART OF ITEM 41)
all	45	27A084S	HOSECLAMP 3+9/16-4.5" SS SCR H	(PART OF ITEM 41)

# Safety Unload Door

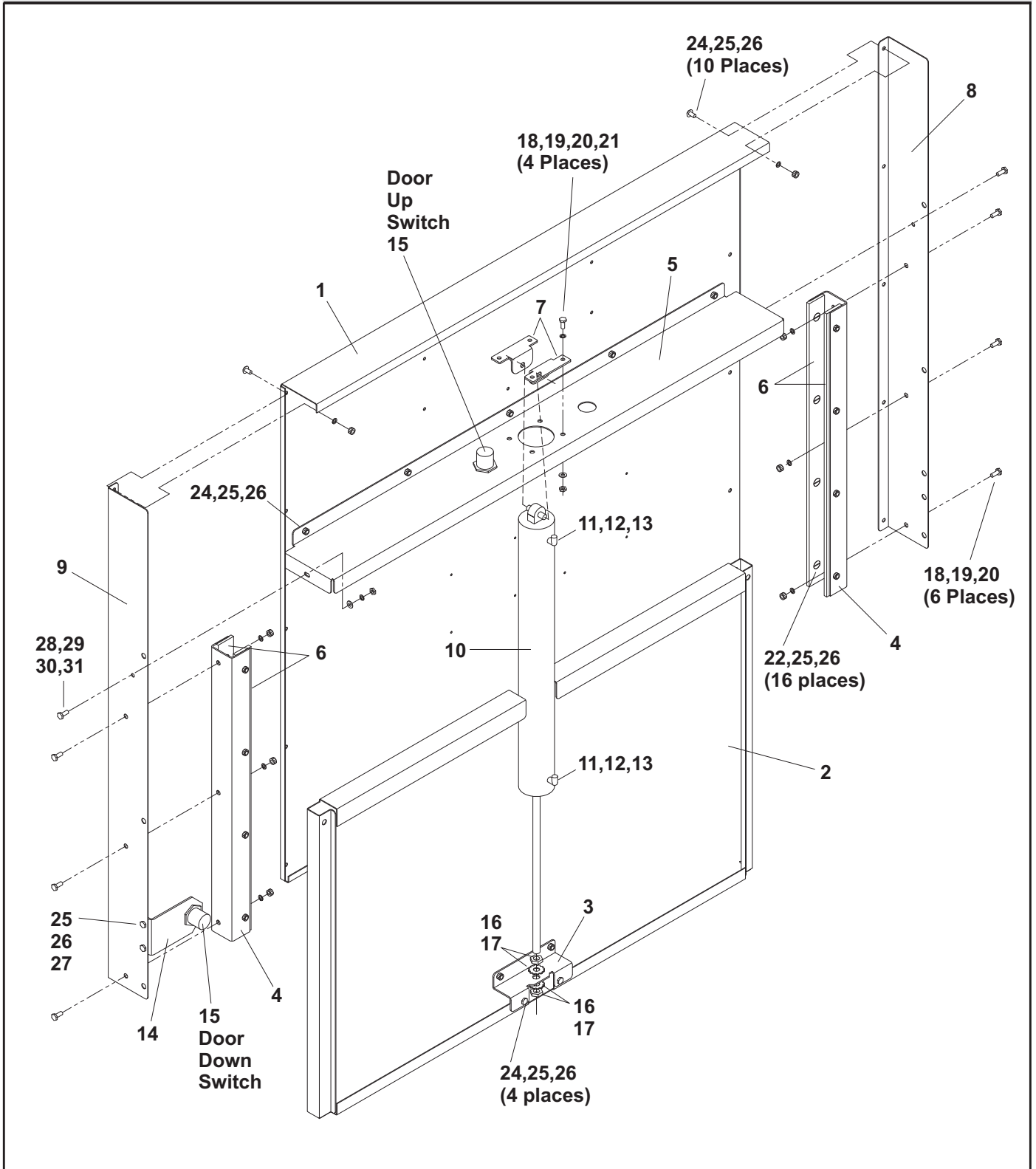
MP1540, MP1556, MP1640, MP1650, MP1656, MP1A50  
MPL556, MPL640, MPL650, MPL656

BMP110005/2020275A  
(1 / 3)



Pellerin Milnor Corporation  
P. O. Box 400, Kenner, LA 70063-0400

Litho in U.S.A.



# Safety Unload Door

**MP1540, MP1556, MP1640, MP1650, MP1656, MP1A50  
MPL556, MPL640, MPL650, MPL656**

BMP110005/2020275A  
(2 / 3)



Pellerin Milnor Corporation  
P. O. Box 400, Kenner, LA 70063-0400

Litho in U.S.A.

## Parts List—Unload Door

Find the correct assembly first, then find the needed components. The item letters (A, B, C, etc.) assigned to assemblies are referred to in the "Used In" column to identify which components belong to an assembly. The item numbers (1, 2, 3, etc.) assigned to components relate the parts list to the illustration.

Used In	Item	Part Number	Description	Comments
-----ASSEMBLIES-----				
	A	ACS10001A	UNLOAD DOOR ASSY-SSPRESS	MP1540, MP1556, MPL556 MP1640, MP1650, MP1656 MPL640, MPL650, MPL656
	B	ACS10004A	CONV UNLOAD DOOR ASSY-MP1A56	MP1A50
-----COMPONENTS-----				
A	1	07 10633	CONV UNLOAD PANNEL	
B	1	07 10653	CONV UNLOAD PANNEL-MP1A56	
A	2	07 10632	CONV UNLOAD DOOR-SSPRESS	
B	2	07 10654	CONV UNLOAD DOOR	
A	3	07 10217	UNLOAD DOOR LIFTING BRKT	
B	3	07 10217A	DOOR LIFTING BRKT-MP1A56	
all	4	07 10218	DOOR TRACK-INSIDE	
A	5	07 10631	AIR CYL MTG CHANNEL	
B	5	07 10651	AIRCYL MTG CHANNEL-MP1A56	
all	6	07 10220	DOOR TRACK UHMW LINER	
all	7	07 10634	AIRCYL MTG BRKT-UNLOAD DOOR	
A	8	07 10630	UNLOAD DOOR MTG ANGLE-RT	
B	8	07 10652	UNLOAD DOOR MTG ANGLE-RT	
A	9	07 10630A	UNLOAD DOOR MTG ANGLE-LF	
B	9	07 10652A	UNLOAD DOOR MTG ANGLE-LF	
A	10	27C120	AIRCYL 1.5"BORE X 20"STROKE	
B	10	27C124	AIRCYL 1.5"BORE X 24"STROKE	
all	11	53A031B	BODY-EL90MALE.25X1/8 #269C-42B	
all	12	53A500	SLEEVE DELRIN 1/4"OD#60PT-4	
all	13	53A501	TUBE INSERT .163"OD #63PT-4-40	
all	14	07 10263	PROX.SW BKT-DISC DOOR DOWN	
all	15	09RPS30ADS	PROX SW QK CONN 30M NO-DC SHLD	
all	16	15G222A	HXFINJAMNUT 7/16-20UNF2B SS	
all	17	15U271	LOKWASH INTOOTH 7/16ZN	
all	18	15K052	HXCAPSCR 5/16-18UNC2AX3/4 SS18	
all	19	15U200S	FLATWASHER US STD 5/16 SS18-8	
all	20	15U205	LOCKWASHER MEDIUM 5/16" 18-8SS	
all	21	15G186	HEXNUT 5/16-18UNC2 SS18-8	

# Safety Unload Door

**MP1540, MP1556, MP1640, MP1650, MP1656, MP1A50  
MPL556, MPL640, MPL650, MPL656**

BMP110005/2020275A  
(3 / 3)



Pellerin Milnor Corporation  
P. O. Box 400, Kenner, LA 70063-0400

Litho in U.S.A.

## Parts List, cont.

Find the correct assembly first, then find the needed components. The item letters (A, B, C, etc.) assigned to assemblies are referred to in the "Used In" column to identify which components belong to an assembly. The item numbers (1, 2, 3, etc.) assigned to components relate the parts list to the illustration.

Used In	Item	Part Number	Description	Comments
all	22	15N173	FLATMACSCR 1/4-20NCX5/8SS18-8	
all	23	15G164	HX THIN LOCKNUT NYL1/4-20 SS	
all	24	15K033	BUTSOKCAPSCR 1/4-20X5/8 SS18-8	
all	25	15U181	LOCKWASHER MEDIUM 1/4 SS18-8	
all	26	15G170	HEXNUT 1/4-20UNC2 SS18-8	
all	27	15N186	HXCAPSCR 1/4-20X3/4 SS18-8	
all	28	15K136	HEXCAPSCR 3/8-16UNCX3+1/2 GR5	
all	29	15U260	LOCKWASHER MEDIUM 3/8 SS18-8	
all	30	15G206	HEXNUT 3/8-16 UNC2 SS 18-8	
all	31	15U245	FLTWASH 3/8 STD COMM 18-8 SS	

**Frame Assembly**

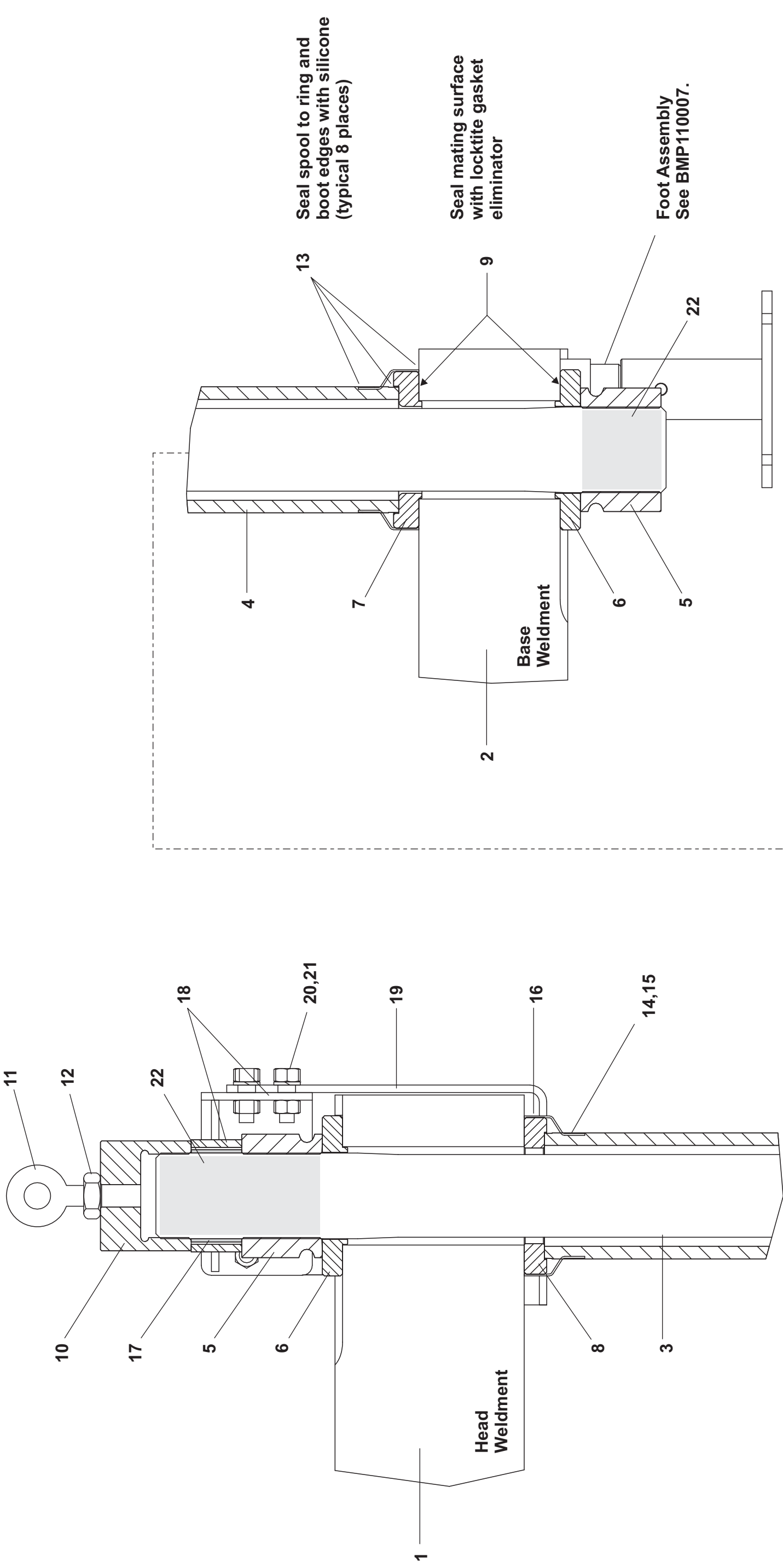
**MP1540xx, MP1556xx, MP1640xx, MP1650xx, MP1656xx, MP1A50xx  
 MPL556xx, MPL640xx, MPL650xx, MPL656xx**

**BMP110006/2020275B  
 (1/2)**



**Pellerin Milnor Corporation**  
 P. O. Box 400, Kenner, LA 70063-0400

Litho in U.S.A.





# Frame Assembly

**MP1540xx, MP1556xx, MP1640xx, MP1650xx, MP1656xx, MP1A50xx  
MPL556xx, MPL640xx, MPL650xx, MPL656xx**

**BMP110006/2020275B  
(2 / 2)**



**Pellerin Milnor Corporation**  
P. O. Box 400, Kenner, LA 70063-0400

Litho in U.S.A.

Used In	Item	Part Number	Description	Comments
			-----ASSEMBLIES-----	
A		GHG10005	SSPRESS FRAME ASSY-MP1603	MP1540
B		GHG10011	SSPRESS FRAME ASSY-MP1556	MP1556, MPL556
C		GHG10012	SSPRESS FRAME ASSY-MP1640	MP1640, MPL640
D		GHG10010	SSPRESS FRAME ASSY-MP1656	MP1656, MP1650
E		GHG10007A	SSPRESS FRAME ASSY-MP1A56	MPL656, MPL650
F		G80TD002	TIEROD HOLD DOWN INST-7.50 HEAD	MP1A50
G		G80TD001	TIEROD HOLD DOWN INST-9.50 HEAD	MP1556, MP1640
				MPL556, MPL640
				MP1656, MP1650
				MPL656, MPL650
				MP1A50
H		G80TD003	TIEROD HOLD DOWN INST-11.50 HEAD	
			-----COMPONENTS-----	
A	1	W7 10060	PRESS HEAD WELDMENT-35BAR	
B	1	W7 10076	PRESS HEAD WELDMENT-14"RAM	
C	1	W7 10641	PRESS HEAD WELDMENT-MP1640	
D	1	W7 10627	PRESS HEAD WELDMENT-MP1656	
E	1	W7 10120	PRESS HEAD WELDMENT-MP1AXX	
A	2	W7 10008	PRESS BASE WELDMENT	
BC	2	W7 10010	SSPRESS BASE WELDMENT-45BAR	
D	2	W7 10626	SSPRESS BASE WELDMENT-MP1656	
E	2	W7 10121	BASE WELDMENT-MP1AXX	
A	3	X7 10600A	TENSIONING ROD-MP1540/50/1603	
BC	3	X7 10642	TENSIONING ROD-MP1556/1640	
D	3	X7 10625	TENSIONING ROD-16"RAM MP1656	
E	3	X7 10122	TENSIONING ROD-MP1AXX	
ABC	4	X7 10546	TIE ROD SPOOL-64.75LG	
D	4	X7 10536	TIE ROD SPOOL-66.25LG	
E	4	X7 10544A	TIE ROD SPOOL 80.00 LG	
all	5	X7 10584	ROD TENSIONING NUT-SSPRESS	
all	6	X7 10548	PRELOAD RING-TENSION ROD	
all	7	X7 10541	SPOOL RING-BASE 4.82 PILOT	
all	8	X7 10542	SPOOL RING-HEAD	
all	9	20C013B	GASKET ELIMINATOR LOC.#51580	
all	10	X7 10587	LIFTING EYE ADAPTER-SSPRESS	
all	11	17A054A	EYEBOLT W/SHOULDER 1.25-7X3 ST	
all	12	15G260	HXNIUT 1+1/4-7UNC2B BLK GR2	

Parts List, cont.—Frame Assembly				
Used In	Item	Part Number	Description	Comments
all	15	27A083S	HOSECLAMP 5+1/8-7"SSSSCR#HSS104	
all	16	27A089	HOSECLAMP S.S.SCREW 6+5/8-8.5	
all	17	12P061	MED-WALL SLEEVE 25' PER ROLL	
all	18	W7 10590	TIEROD HOLD DOWN WLMT	
F	19	07 10594A	TIEROD HOLD DOWN BRKT-MP1603	
G	19	07 10594	TIEROD HOLD DOWN BRKT	
H	19	07 10594B	TIEROD HOLD DOWN BRKT-11.50 HEAD	
all	20	15K232A	HEXCAPSCR 3/4-10X2 GR8 ZINC	
all	21	15U340	LOCKWASH MEDIUM 3/4 ZINCPL	
all	22	20C510	LOCTITE MOLYPASTE#51048	

# Foot Assembly

MP1540xx, MP1556xx, MP1640xx, MP1650xx, MP1656xx, MP1656xx, MP1A50xx  
 MPL556xx, MPL640xx, MPL650xx, MPL656xx

BMP110007/2020275B  
 (1/1)



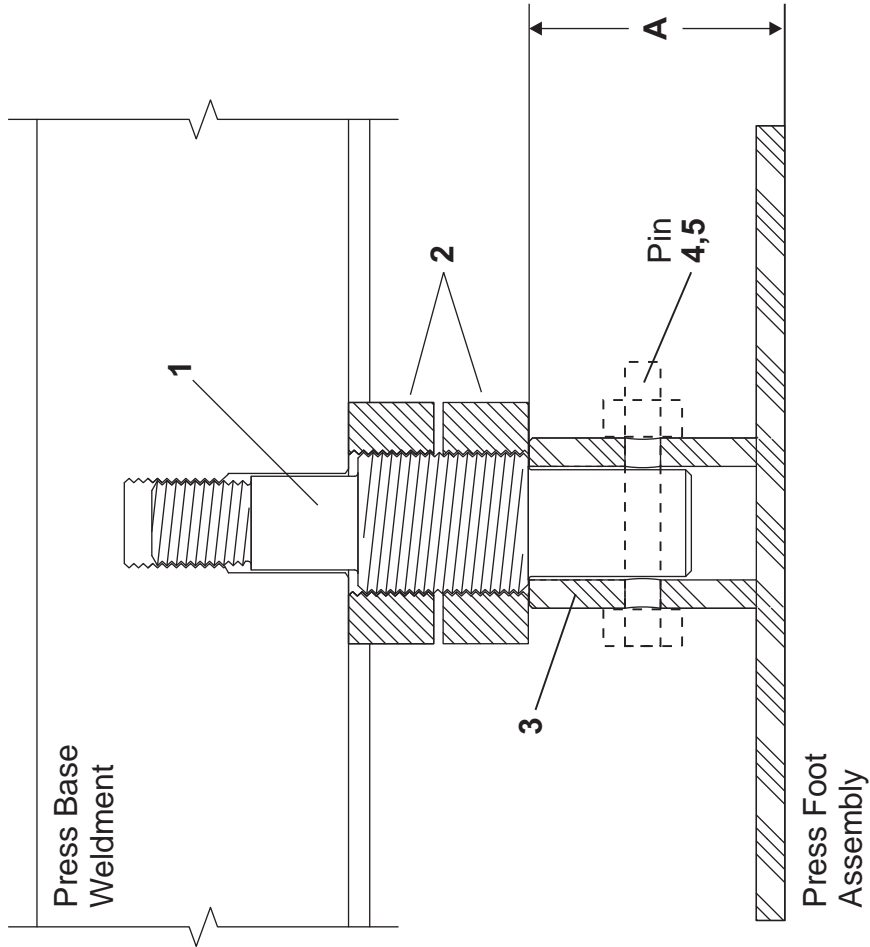
Pellerin Milnor Corporation  
 P. O. Box 400, Kenner, LA 70063-0400

Litho in U.S.A.

Used In		Item	Part Number	Description	Comments
all		1	X7 10585A	COMPONENTS	
all		2	X7 10563	PRESS SUPPORT ROD 1-1/2"-6UNC	
all		3A	W7 10606C	PRESS FOOT MTG NUT-MACHINED	3" FOOT
all		3B	W7 10606	SSPRESS FOOT WELDMENT-3.0"	4.5" FOOT
all		3C	W7 10606B	SSPRESS FOOT WELDMENT-4.5"	5.5" FOOT
all		3D	W7 10606A	SSPRESS FOOT WELDMENT-5.5"	7.5" FOOT
all		3E	W7 10606D	SSPRESS FOOT WELDMENT-7.5"	11.5" FOOT
All		4	15K210A	HXCAPSCR 1/2"-13X4" GRD 8 ZINC	
All		5	15G234N	HXLOCKNUT NYL 1/2-13UNC2 STL/Z	

### Parts List—Foot Assembly

Find the correct assembly first, then find the needed components. The item letters (A, B, C, etc.) assigned to assemblies are referred to in the "Used In" column to identify which components belong to an assembly. The item numbers (1, 2, 3, etc.) assigned to components relate the parts list to the illustration.



Foot	A
W7 10606C	3.0"
W7 10606	4.5"
W7 10606B	5.5"
W7 10606A	7.5"
W7 10606D	11.5"

# Reuse Tank

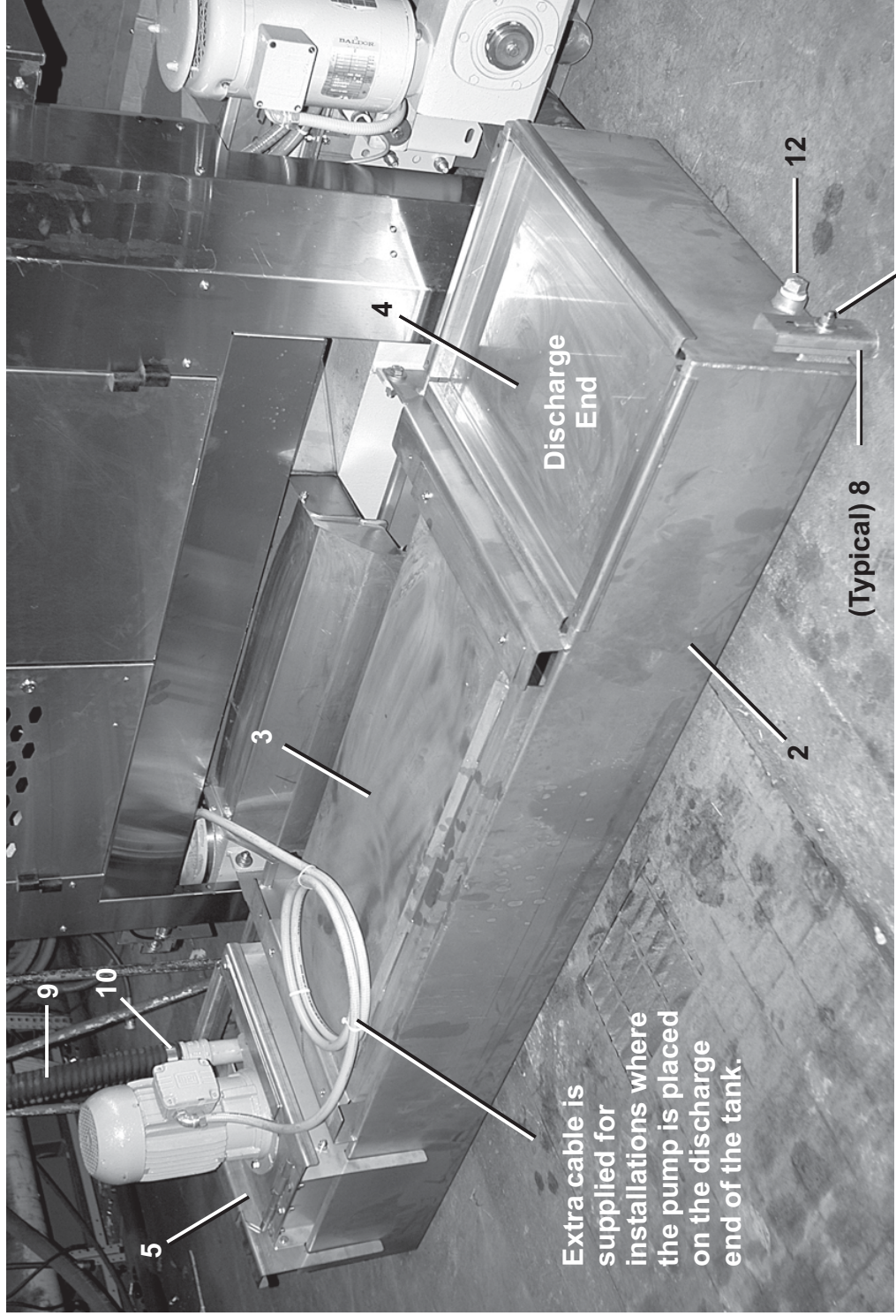
MP1540xx, MP1556xx, MP1640xx, MP1650xx, MP1656xx, MP1A50xx  
 MPL556xx, MPL640xx, MPL650xx, MPL656xx

BMP110008/2020275B  
 (1/2)

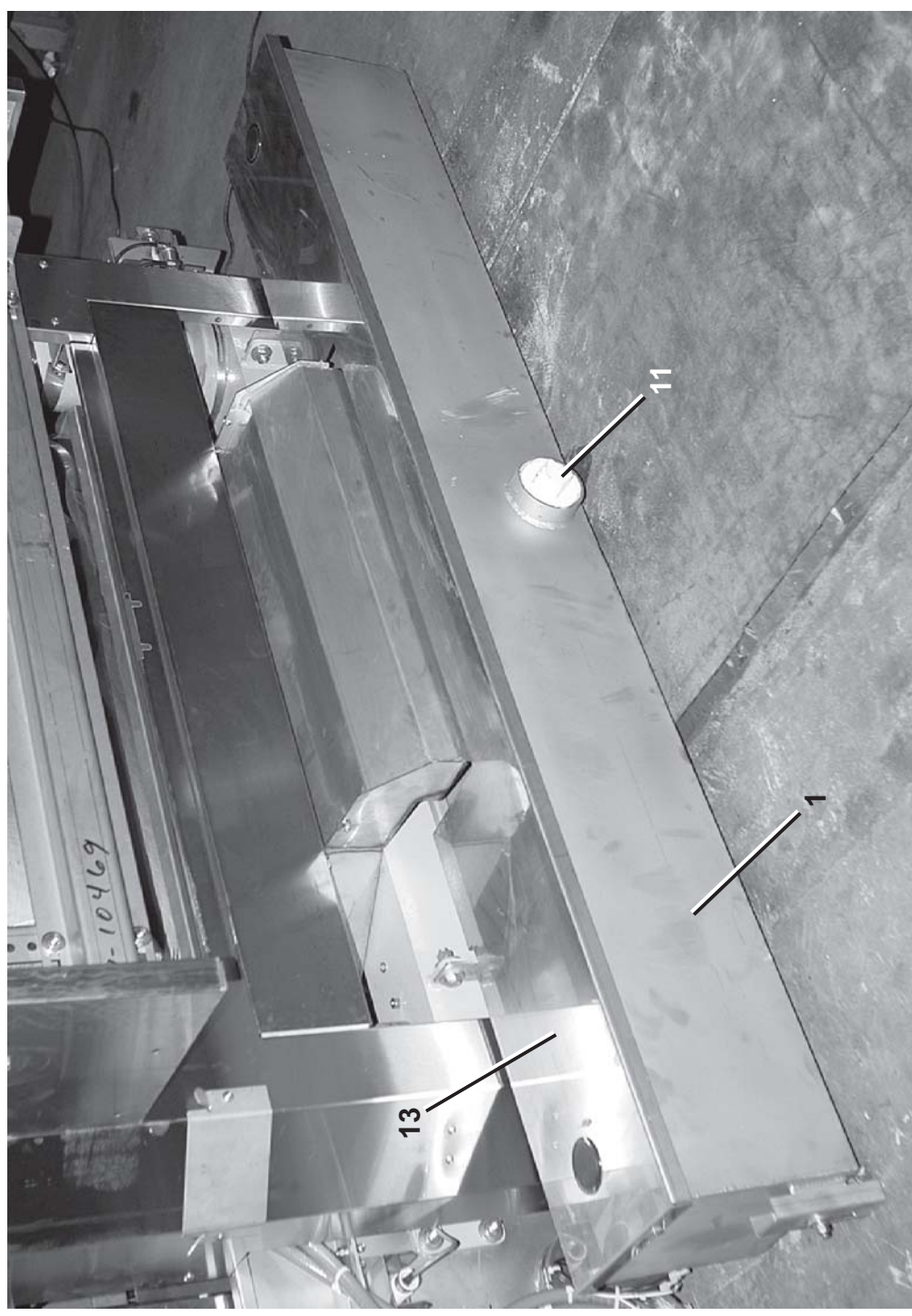
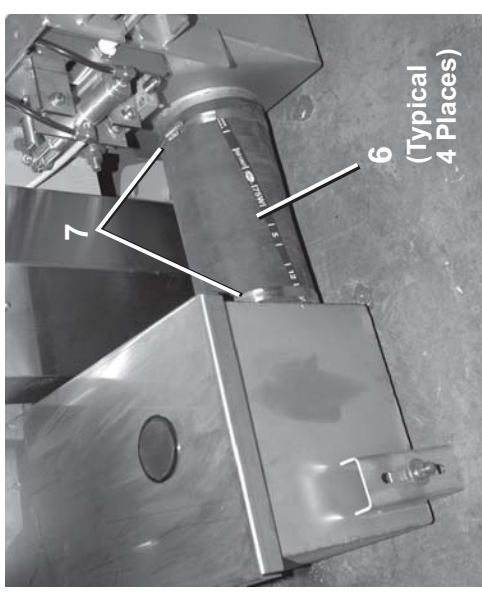
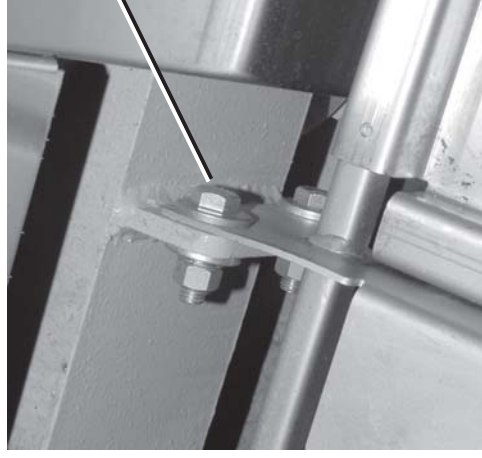


Pellerin Milnor Corporation  
 P. O. Box 400, Kenner, LA 70063-0400

Litho in U.S.A.



Extra cable is supplied for installations where the pump is placed on the discharge end of the tank.



MP1540, MP1556, MP1640, MP1650, MP1656 reuse tanks are shown. MP1A50 reuse tank is similar. See parts list.

# Reuse Tank

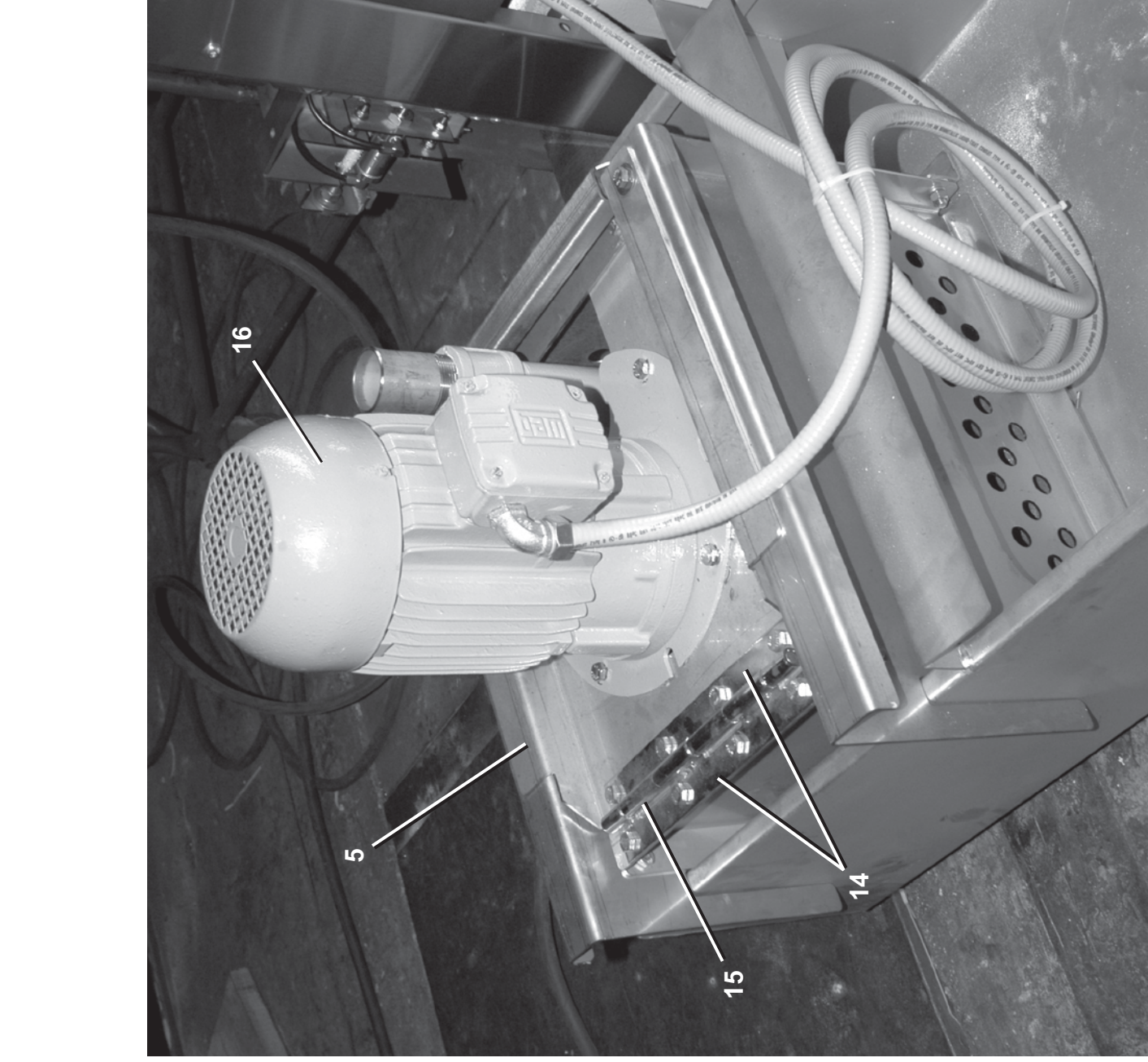
**MP1540xx, MP1556xx, MP1640xx, MP1650xx, MP1656xx, MP1A50xx, MPL556xx, MPL640xx, MPL650xx, MPL656xx**

**BMP110008/2020275B  
(2 / 2)**



**Pellerin Milnor Corporation**  
P. O. Box 400, Kenner, LA 70063-0400

Litho in U.S.A.



**Parts List—Reuse Tanks**  
Find the correct assembly first, then find the needed components. The item letters (A, B, C, etc.) assigned to assemblies are referred to in the "Used In" column to identify which components belong to an assembly. The item numbers (1, 2, 3, etc.) assigned to components relate the parts list to the illustration.

Used In	Item	Part Number	Description	Comments
			-----ASSEMBLIES-----	
A		ALC420175	SIDE TANK+PUMP LAYT-MP1603	MP1540, MP1556
B		ALC420172	SIDE TANK+PUMP LAYT-MP1A03	MP1640, MP1656, MP1650 MP1A50
			-----COMPONENTS-----	
A	1	W4 23593	SIDE TANK NARROW	
B	1	W4 23638	MP1A03 SIDE TANK NARROW	
A	2	W4 23594	SIDE TANK WIDE WLDMNT	
B	2	W4 23640	MP1A03 SIDE TANK WIDE WLDMNT	
A	3	W4 23548	SIDE TANK COVER WLDMT	
B	3	W4 23643	MP1A03 SIDE TANK COVER WLDMT	
	4	07 10495	BLANK PUMP STAND COVER	
A	5	ALC420171	REUSE PUMP STAND ASSEMBLY	
B	5	ALC420219	REUSE PUMP STAND ASSEMBLY	
	6	60E312A11A	HOSE 5"ID X 11"LG GATES 75W	
	7	27A086	HOSECLAMP 3+1/8-6"CADSCR#HS-88	
	8	04 23474	CLEANOUT TANK LEG 4840M	
	9	60E201	HOSE 2"ID W/S GATES#4686-0200	
	10	27A072	T-BOLT HOSECLAMP2.16-2.47CADSC	
	11	5SP3AP4SC	NPT PLUG 3" SQ SK40 PVC	
	12	5SP1ADESC	NPT PLUG 1" SQ CORED GAL CI	
A	13	04 23629	SMALL SIDE TANK COVER	
B	13	04 23650	MP1A03 SMALL SIDE TANK COVER	
	14	W4 23539	WLMT=HINGE PRESS TANK	
	15	04 23540B	PIN=HINGEPUMP MOUNT	
	16	27E940A96	2X1-6.35PUMP W/3HP TEFC MOTOR	
	17	15K171	HEXCAPSCR 1/2-13UNC2X1+3/4 SS1	
	18	15U310S	FLATWASH-SS .53 X 1.37 .187T	
	19	15U310	LOKWASHER REGULAR 1/2 SS18-8	
	20	15G231S	HXFINJAMNUT 1/2-13UNC2B SS18-8	
	21	15A020S	CARBOLT 3/8-16X1" SS18-8	
	22	15U245	FLTWASH 3/8 STD COMM 18-8 SS	
	23	15U260	LOCKWASHER MEDIUM 3/8 SS18-8	
	24	15G206	HEXNUT 3/8-16 UNC2 SS 18-8	

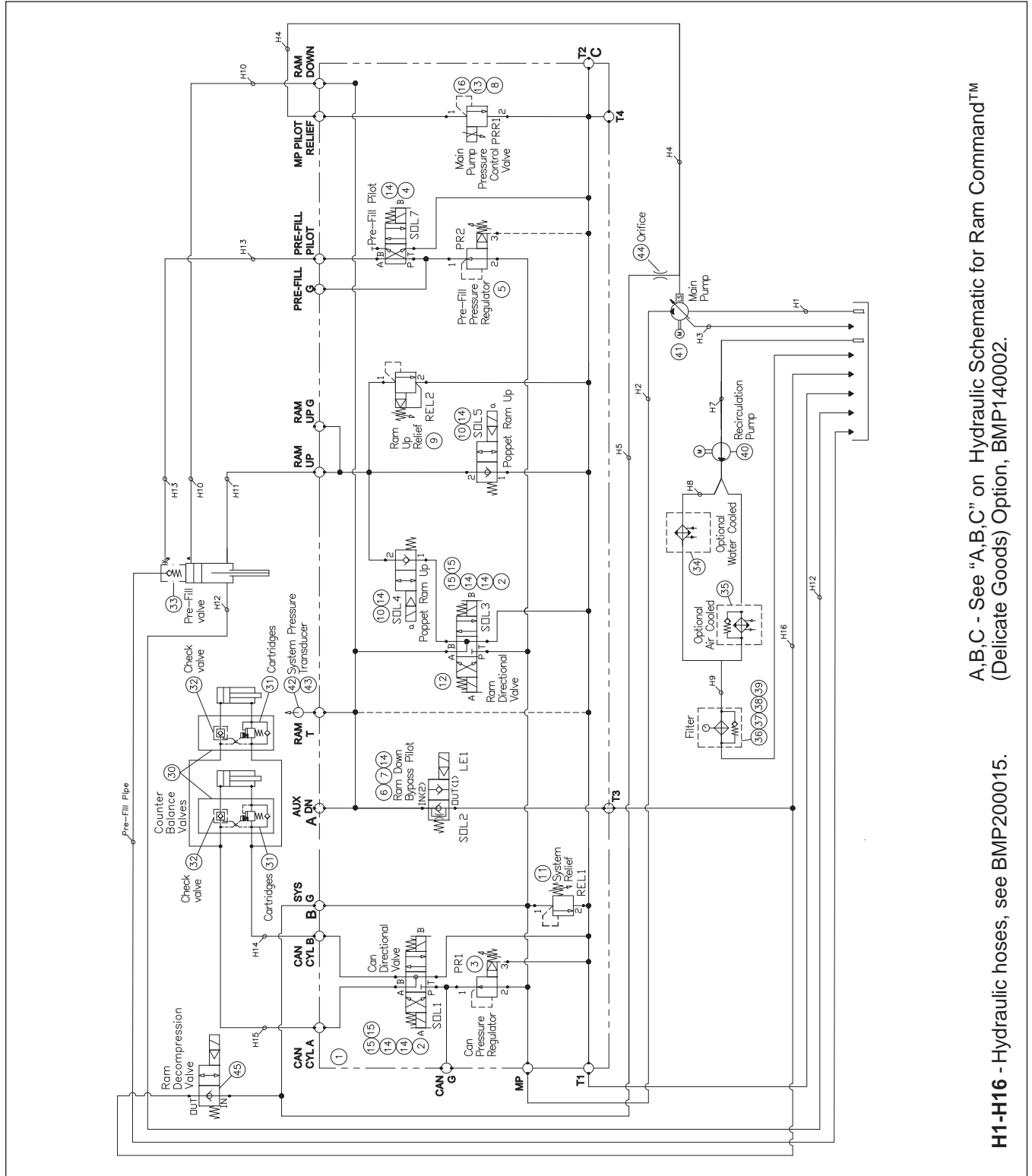
# Hydraulic Piping and Assemblies

2

# Hydraulic Schematic Presses with Decompression Valve

MPL556, MPL640, MPL650, MPL656

Effective 5/1/2023



A,B,C - See "A,B,C" on Hydraulic Schematic for Ram Command™  
(Delicate Goods) Option, BMP140002.

H1-H16 - Hydraulic hoses, see BMP200015.

# Hydraulic Schematic Presses with Decompression Valve

MPL556, MPL640, MPL650, MPL656

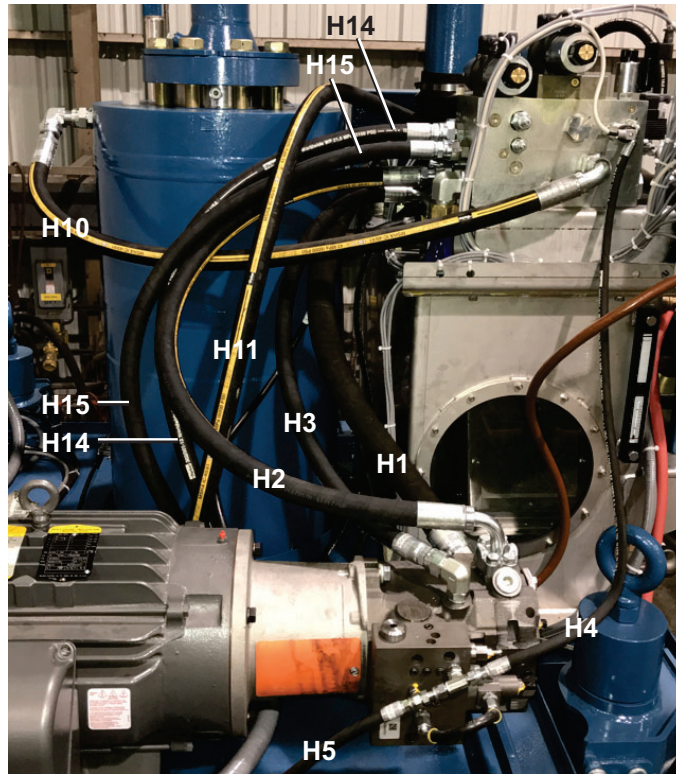
Effective 5/1/2023

<b>Parts List</b>				
Find the correct assembly first, then find the needed components. The item letters (A, B, C, etc.) assigned to assemblies are referred to in the "Used In" column to identify which components belong to an assembly. The item numbers (1, 2, 3, etc.) assigned to components relate the parts list to the illustration.				
Used In	Item	Part Number	Description	Comments
			-----REFERENCE ASSEMBLIES-----	
	A	AHT10053E	MANIFOLD MPL556/640/650/656	
			-----COMPONENTS-----	
all	1	96DH463A	MAIN MANIFOLD NON-BOOSTER SUN#FV-11552-V1	
all	2	96RH709E37	DIRECT.VALVE CENTER OP 24VDC D05	
all	3	96DH475A	CARTRIDGE,PRESS.REDUCING VALVE SUN#PBFB-LWN	
all	4	96RH712A02	DIRECTIONAL PILOT VALVE+SOL 24VDC	
all	5	96DH430C	CARTRIDGE, SUN #PBDB-LAN	
all	6	96RH713S01V	PARKER 2 WAY VALVE : DSH161N	
all	7	96RH713S01C1	COIL: PARKER 24VDC #CAP024D	
all	8	96RH708E39	PROPORTIONAL VALVE SUN #RBAP-XWN	
all	9	96DH452A04	RELIEFVAL 300-3000PSI PARKER#RAH161S30	
all	10	96DH452A01	POPPET=COIL + CARTRIDGE	
all	11	96DH440S	RELIEFVAL CARTRIDGE RDHA-LCN	
all	12	96DH485A	DAMAN ADAPTOR #DD05D08VAAB	
all	13	12M4240V9F	SOLE.CONN. 240VAC/DC 5M 4 WIRE	
all	14	12M348V3F	SOLE.CONN.24VDC/VAC 2M	
all	15	96RH709E3	HYTOS 24VDC COIL - HYTOS # 936 4927	
all	16	96RH713R03	COIL 24VDC SUN 790-2B24V	
all	30	96DH471	COUNTERBALANCE VALVE-SUN BODY #YEJ	
all	31	96DH471A	CARTRIDGE-COUNTERBAL.SUN #CBCA-LHN	
all	32	96DH410	CART., SUN CHECKVALVE CKCB-XCN	
all	33	96RH712F	PREFILL VALVE HAWE #F100-45	
all	34	27H11205	SSPRESS HEAT EXCHANGER THERMAL TRANSFER BPS-24-12X5	
all	35	27HS091AAU	OIL COOLER 8HP@15GPM 50/60	
all	35	27HS092AAU	OIL COOLER 20HP@10GPM 50/60	
all	35	27HS091A98	OIL COOLER 8HP@15GPM 575V	
all	35	27HS092A98	OIL COOLER 20HP@10GPM 575V	
all	36	27E7120	INTANK RETURN FILTER DONALDSON	
all	37	27E7112E	FILTER 5 MIC 19"LG DONALDSON EB1254	
all	38	30N101	PRESSGAUGE 1/8"BACKCN.0-60PSI	
all	39	27E7112F	ELEC.INDICAT-DONALDSON#G50E	
all	40	27E5506	GEAR PUMP-RECIRC.PUMP-HONOR MODEL#2GG1U22R	
all	41	27E55057	PISTON PUMP 75CC LINDE HPR075	MPL556, MPL640/650/656
all	41	27E550466	PISTON PUMP 45CC	Mp1540
all	42A	09N700B	TRANSDUCER WIKA C-10 0-5000 PSI 0-5VDC	MP1540, MPL550/640/650 (Used before 03/2023)
all	42B	09N700D	TRANSDUCER WIKA C-10 0-10000 PSI 0-5VDC	MPL556, MPL656 (Used before 11/2022)
all	42C	09N700DA	TRANSDUCER WIKA A-10 0-10000 PSI 0-5VDC	MPL556, MPL656
all	42D	09N700BA	TRANSDUCER WIKA A-10 0-5000 PSI 0-5VDC	MP1540, MPL550/640/650
all	43A	12M350V6F	CONN.CABLE SOCKET W/MLD LEADS C10 (2M.CABLE)	FOR 42A & 42B
all	43C	12M350V6G	CONN.CABLE SOCKET W/MLD LEADS A10 (2M.CABLE)	FOR 42C & 42D
all	44	52ZC0ES010	TUBFIT PARKER#4 LOHL6-S .031 ORIFICE	
all	45	AHT10077	PRESS DECOMPRESSION VALVE ASSY	Used on Presses after 5/1/23

# Hydraulic Hoses - Single Manifold Presses with Single Pump

MP1540, MPL556, MPL640, MPL650, MPL656

Figure 1: Hoses Overview



Function:	Hose #	Models			
		MP1540CL/CR	MPL556CL/CR MPL640CL/CR MPL650CL/CR MPL656CL/CR	MP1540L/R	MPL556L/R MPL640L/R MPL650L/R MPL656L/R
Main Pump Suction	H1	60EH86C50A	60EH86C46B	60EH86C70A	60EH86C66A
Main Pump Outlet	H2	60EH82C60A	60EH82C46A	60EH82C60A	60EH82C46A
Main Pump Case Drain	H3	60EH50C46A	60EH50C36B	60EH50C54A	60EH50C50A
LS Proportional Valve Pressure	H4	60EH21C40A	60EH21C80A	60EH21C65A	60EH21C80A
LS System Pressure	H5	N/A	60EH21C40A	N/A	60EH21C80A
Recirculation Pump Suction	H7	60EH81C66A	60EH81C66A	60EH81C66A	60EH81C66A
Recirculation Pump Outlet	H8	60EH50C48D	60EH50C48D	60EH50C48D	60EH50C48D
Cooler Return	H9	60EH50C22B	60EH50C22B	60EH50C22B	60EH50C22B
Ram Down	H10	60EH82C48A	60EH82C48A	60EH82C48A	60EH82C48A
Ram Up	H11	60EH82C87A	60EH82C87A	60EH82C87A	60EH82C87A
Ram Seal Drain	H12	60E076B078	60E076B078	60E076B078	60E076B078
Prefill Valve Pilot	H13	60EH21C40A	60EH21C40A	60EH21C40A	60EH21C40A
Can Up	H14	60EH50C66A	60EH50C66A	60EH50C66A	60EH50C66A
Can Down	H15	60EH50C66A	60EH50C66A	60EH50C66A	60EH50C66A
ByPass Drain	H16	60EH50C20A	60EH50C20A	60EH50C20A	60EH50C20A

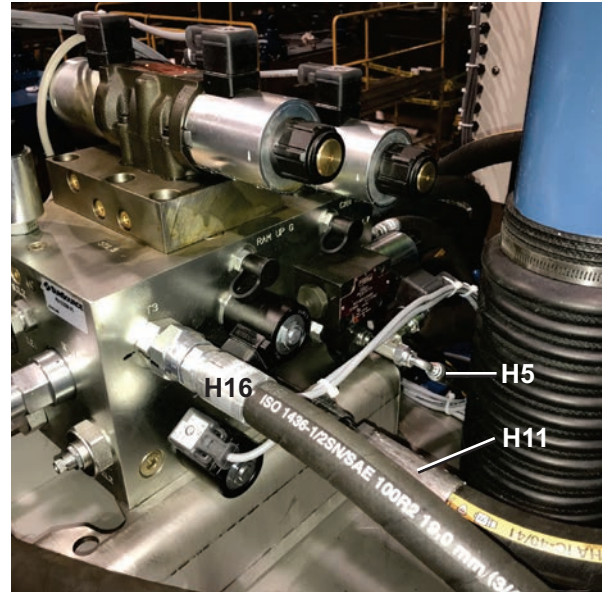
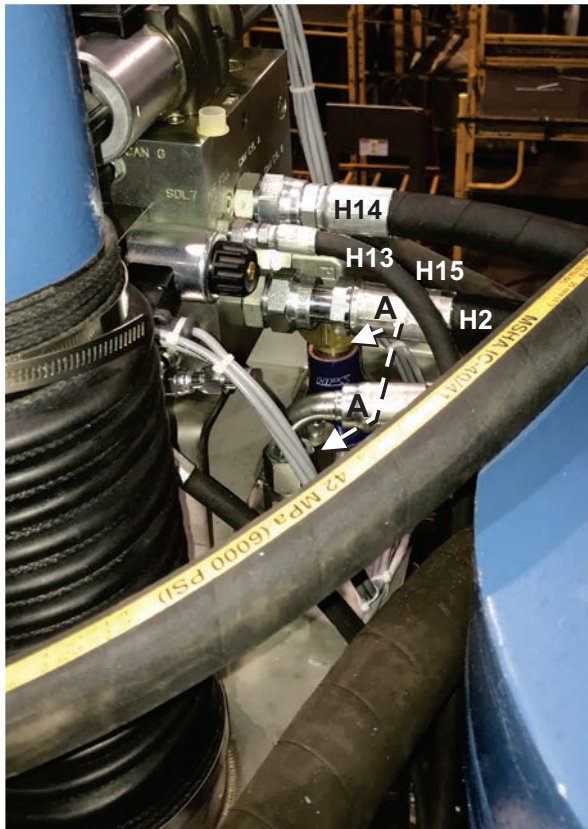
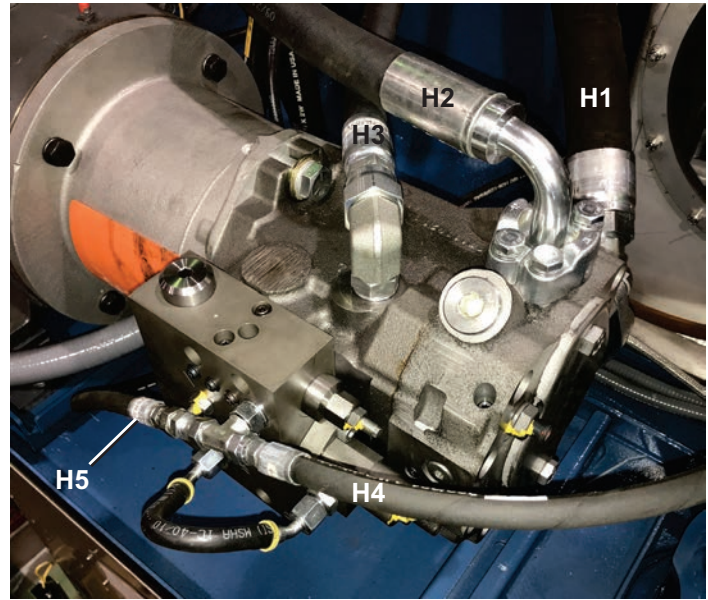
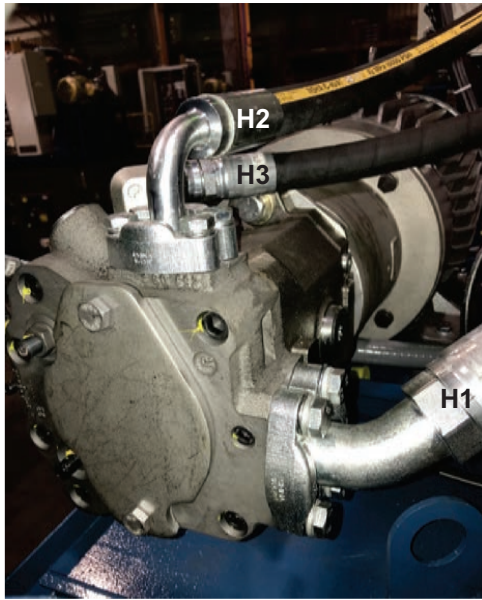
For Hose Descriptions, See Parts List , Page 5.



# Hydraulic Hoses - Single Manifold Presses with Single Pump

MP1540, MPL556, MPL640, MPL650, MPL656

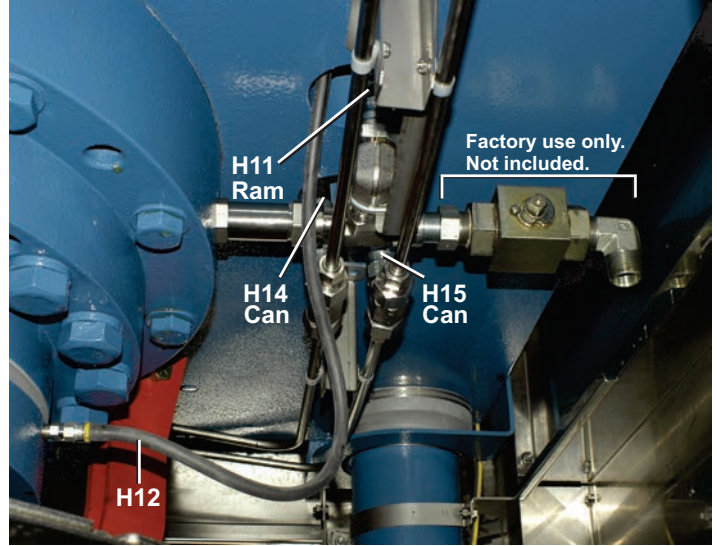
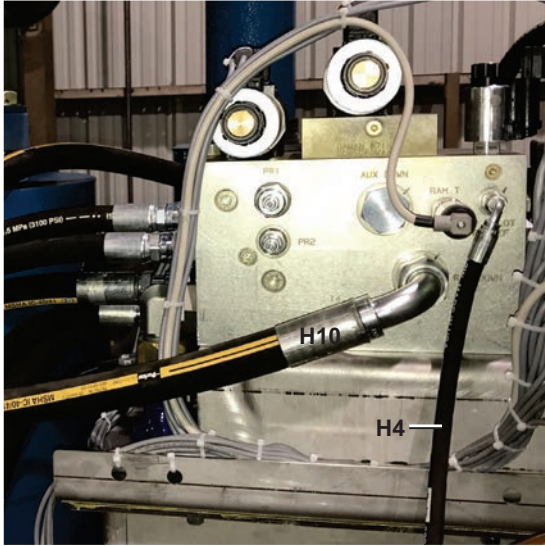
Figure 2: Pump, Manifold, and Tank Hoses



# Hydraulic Hoses - Single Manifold Presses with Single Pump

MP1540, MPL556, MPL640, MPL650, MPL656

Figure 3: Manifold, Tank, and Ram Hoses



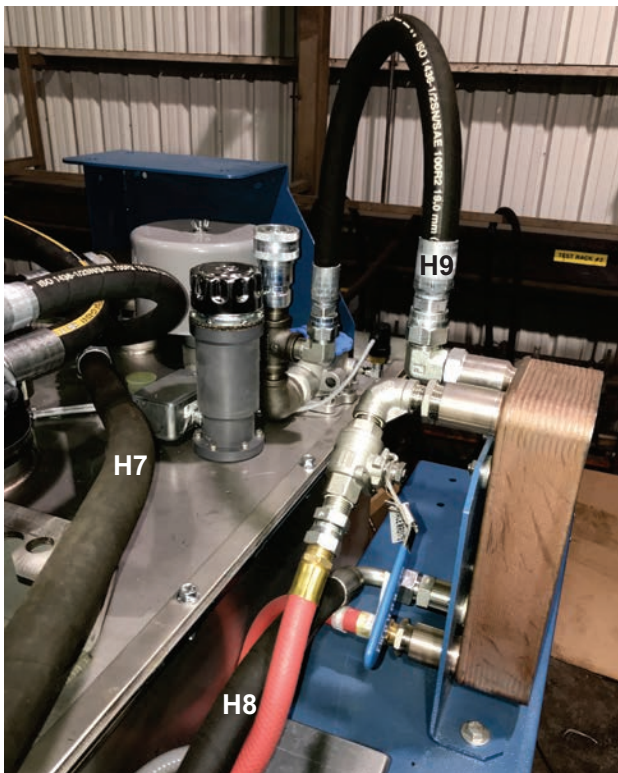
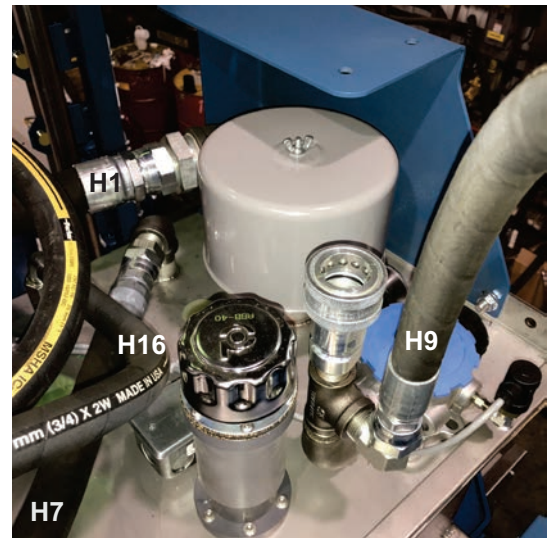
# Hydraulic Hoses - Single Manifold Presses with Single Pump

MP1540, MPL556, MPL640, MPL650, MPL656

Figure 4: Manifold, Tank, Ram, and Cooler Hoses



View A-A:



# Hydraulic Hoses - Single Manifold Presses with Single Pump

MP1540, MPL556, MPL640, MPL650, MPL656

### Parts List—Hydraulic Hoses

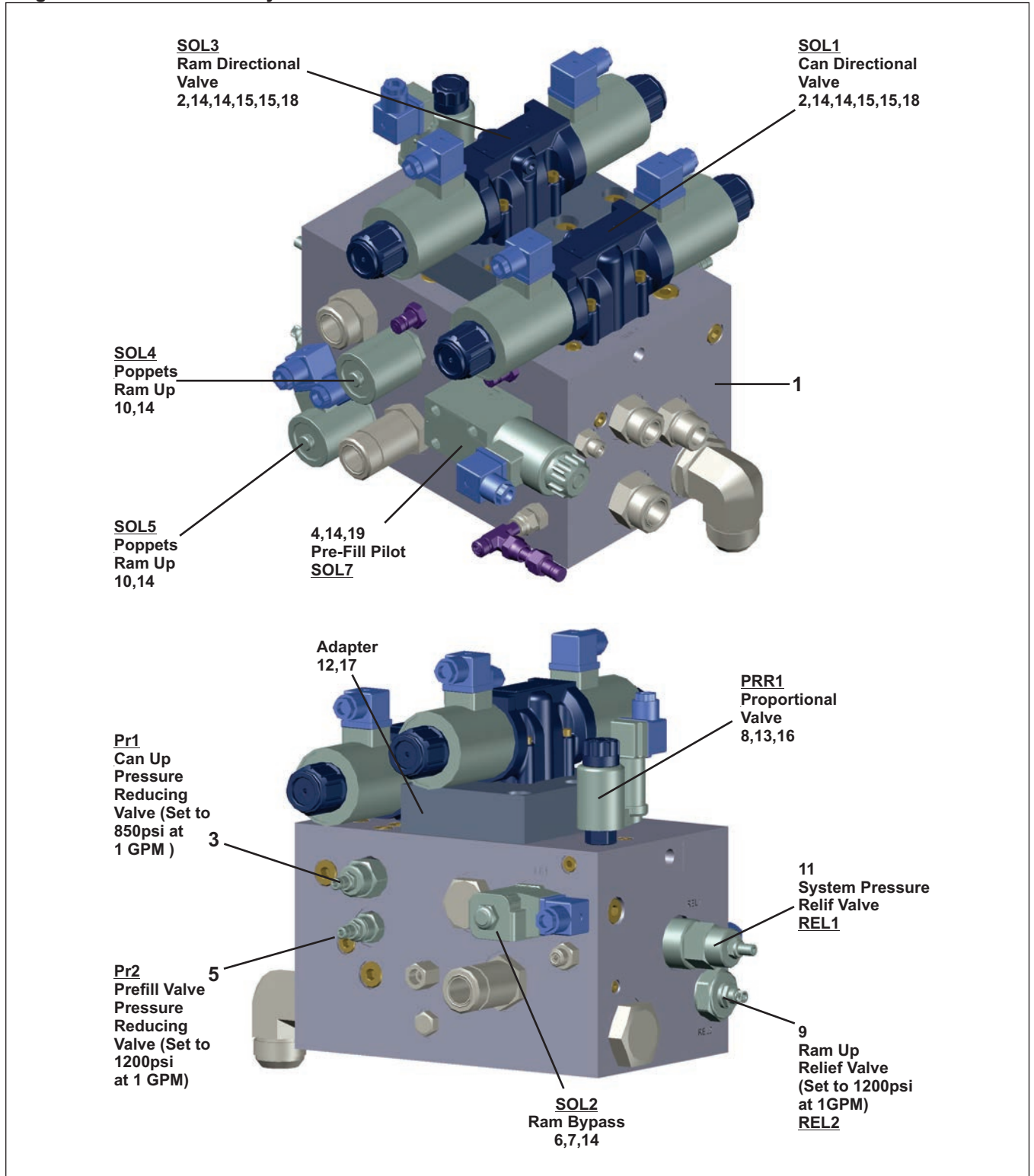
Find the correct assembly first, then find the needed components. The item letters (A, B, C, etc.) assigned to assemblies are referred to in the "Used In" column to identify which components belong to an assembly. The item numbers (1, 2, 3, etc.) assigned to components relate the parts list to the illustration.

Used In	Item	Part Number	Description	Comments
-----REFERENCE ASSEMBLIES-----				
	A	AHT10032F	HYD TANK ASSY-MP1540	
	B	AHT10032K	HYD TANK ASSY-MPL550/640/650	
	C	AHT10032L	HYD TANK ASSY-MPL556/656	
-----HOSES ALPHABETICALLY WITH DESCRIPTIONS, SEE CHART PAGE 1.-----				
		60E076B078	HOSE ASSY 1/4"X78"LG+ENDS	
		60EH21C40A	ASSY=HYDRAULIC HOSE 1/4 X40LG	
		60EH21C65A	HYDHOSE 1/4"STRFEMORSWX90FEMORSW=65"	
		60EH21C80A	ASSY=HYDRAULIC HOSE 1/4"X80"LG	
		60EH50C20A	HYDHOSE 3/4" 90FJIC+STRFOR=20"	
		60EH50C22B	HYD HOSE 2-STRFEMSW 3/4"X22"LG	
		60EH50C36B	HYD HOSE 3/4"90FJICXSTRFOR=36"	
		60EH50C46A	HYDHOSE 3/4"90FJICSWXSTRFEMORSW=46"	
		60EH50C48D	HYD HOSE 90+STR.FMORSW 3/4"X48"LG	
		60EH50C50A	HYDHOSE 3/4"90FJICSWXSTRFEMORSW=50"	
		60EH50C54A	HYDHOSE 3/4"90FJICSWXSTRFEMORSW=54"	
		60EH50C66A	HYD HOSE 2-STRFEMSW 3/4"X66"LG	
		60EH81C66A	HYD FLEX HOSE 2-STRFEMSW 1"X66"LG	
		60EH82C46A	HYDHOSE 1"FMSWX3/4"90CODE62-46"LG	
		60EH82C48A	HYDHOSE 1"FMSWX1"90FMSW-48"LG	
		60EH82C60A	HYDHOSE 1"FMSWX1"90FMSW-60"LG	
		60EH82C87A	HYDHOSE 1" 2-STRFOR=87"LG	
		60EH86C46B	HYDHOSE 1-1/2"X46" STRFEMSWJICX45CD61	
		60EH86C50A	ASSY=HYDRALIC HOSE 1-1/2"X50"	
		60EH86C66A	HYDHOSE 1-1/2"X66" STRFEMSWJICXSTRCD61	
		60EH86C70A	ASSY=HYDRALIC HOSE 1-1/2"X70"	

# Single Manifold and Valves for Single Pump

MP1540, MPL556, MPL640, MPL650, MPL656

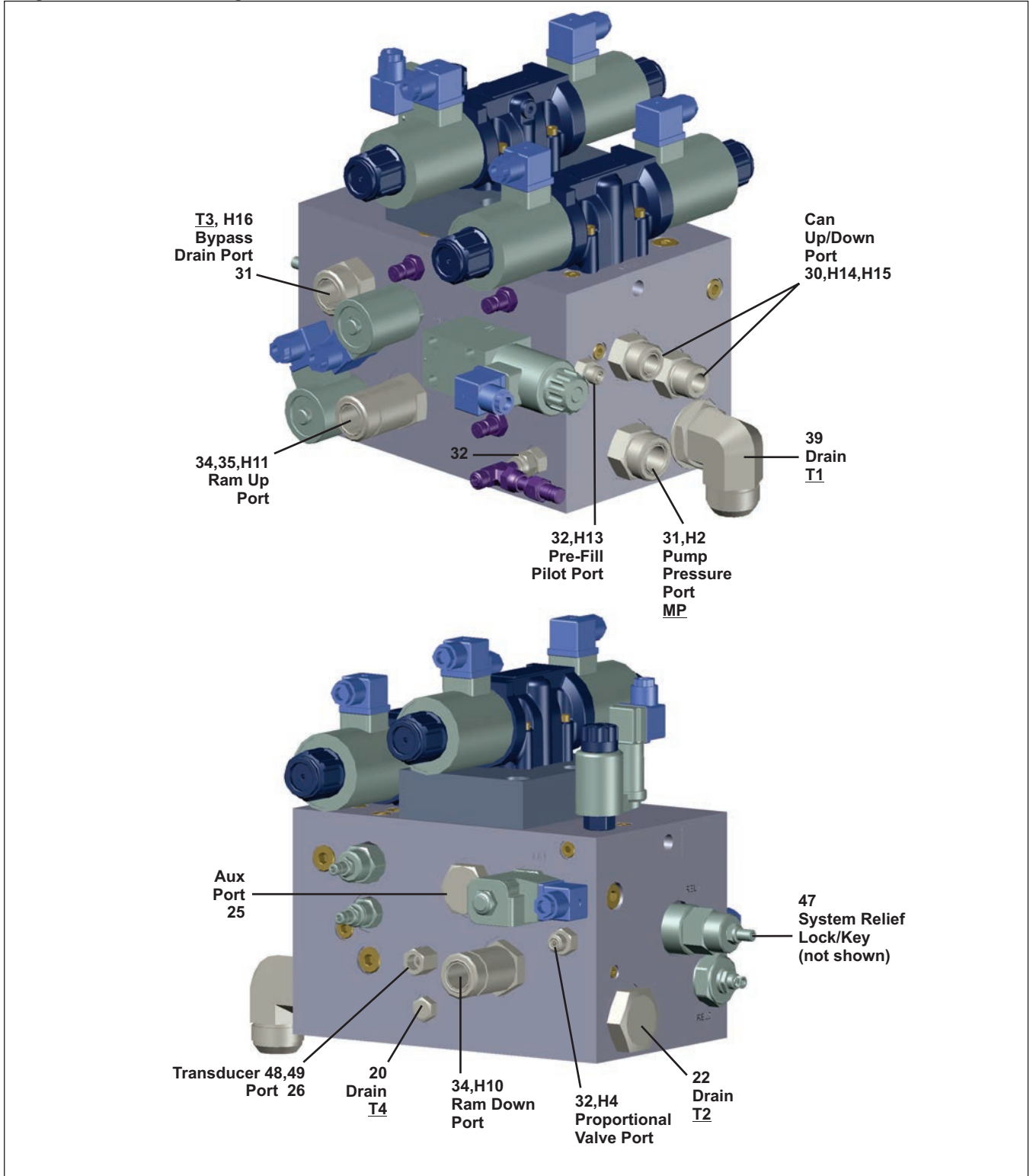
Figure 1: Manifold Assembly Valves



# Single Manifold and Valves for Single Pump

MP1540, MPL556, MPL640, MPL650, MPL656

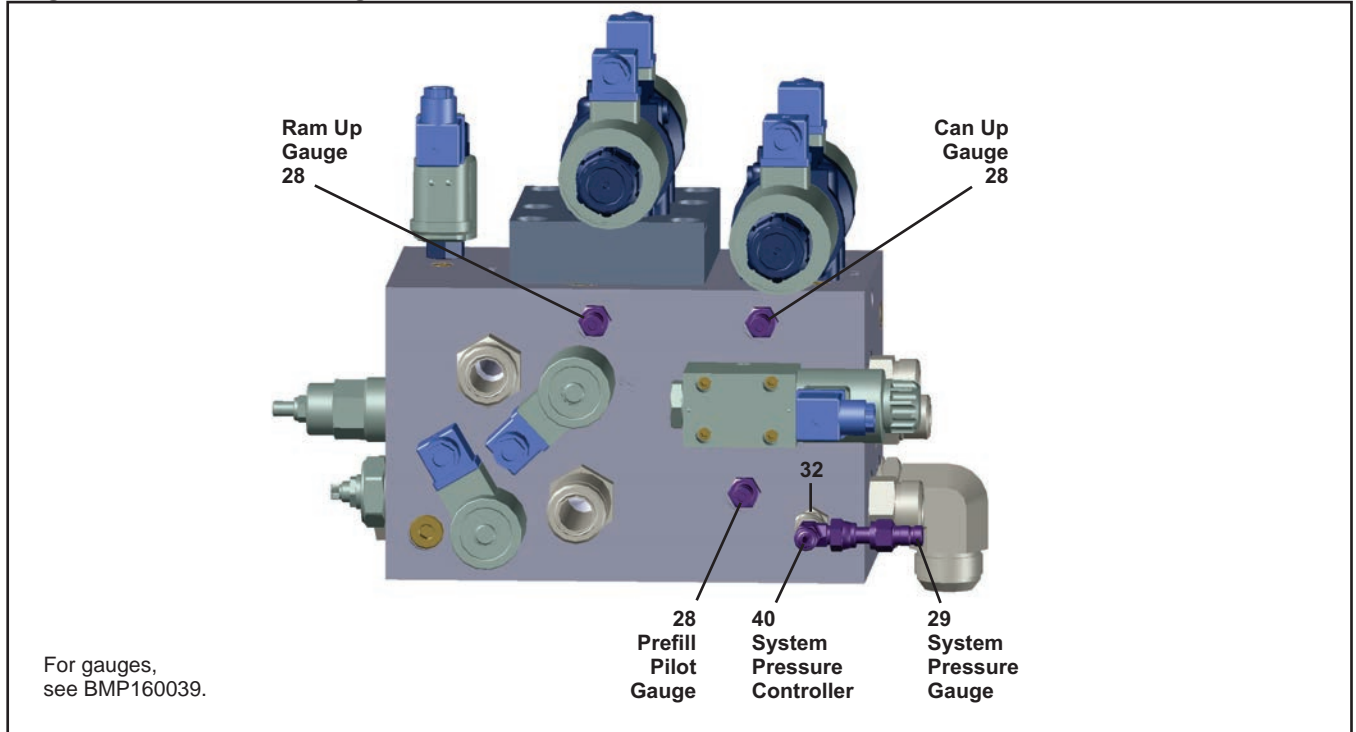
Figure 2: Manifold Fittings and Ports



# Single Manifold and Valves for Single Pump

MP1540, MPL556, MPL640, MPL650, MPL656

Figure 3: Test Ports for Gauges



### Parts List

Find the correct assembly first, then find the needed components. The item letters (A, B, C, etc.) assigned to assemblies are referred to in the "Used In" column to identify which components belong to an assembly. The item numbers (1, 2, 3, etc.) assigned to components relate the parts list to the illustration.

Used In	Item	Part Number	Description	Comments
-----REFERENCE ASSEMBLIES-----				
	A	AHT10053E	MAIN MANIFOLD MP540/56 MP640/50/56	
-----COMPONENTS-----				
all	1	96DH463A	MAIN MANIFOLD NON-BOOSTER SUN#FV-11552-V1	
all	2	96RH709E37	DIRECT.VALVE CENTER OP 24VDC D05	
all	3	96DH475A	CARTRIDGE,PRESS.REDUCING VALVE SUN#PBFB-LWN	
all	4	96RH712A02	DIRECTIONAL PILOT VALVE+SOL 24VDC	
all	5	96DH430C	CARTRIDGE, SUN #PBDB-LAN	
all	6	96RH713S01V	PARKER 2 WAY VALVE : DSH161N	
all	7	96RH713S01C1	COIL: PARKER 24VDC #CAP024D	
all	8	96RH708E39	PROPORTIONAL VALVE SUN #RBAP-XWN	
all	9	96DH452A04	RELIEFVAL 300-3000PSI PARKER#RAH161S30	
all	10	96DH452A01	POPPET=COIL + CARTRIDGE	
all	11	96DH440S	RELIEFVAL CARTRIDGE RDHA-LCN	
all	12	96DH485A	DAMAN ADAPTOR #DD05D08VAAB	
all	13	12M4240V9F	SOLE.CONN. 240VAC/DC 5M 4 WIRE	
all	14	12M348V3F	SOLE.CONN.24VDC/VAC 2M	

# Single Manifold and Valves for Single Pump

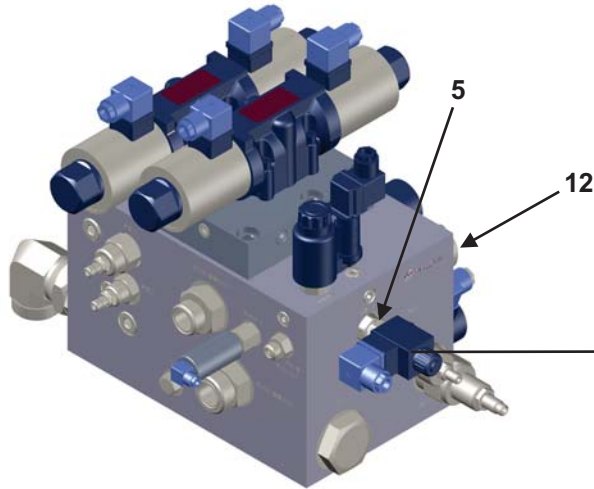
MP1540, MPL556, MPL640, MPL650, MPL656

<b>Parts List—Single Manifold and Valves for Single Pump</b> Find the correct assembly first, then find the needed components. The item letters (A, B, C, etc.) assigned to assemblies are referred to in the "Used In" column to identify which components belong to an assembly. The item numbers (1, 2, 3, etc.) assigned to components relate the parts list to the illustration.				
Used In	Item	Part Number	Description	Comments
all	15	96RH709E3	HYTOS 24VDC COIL - HYTOS # 936 4927	
all	16	96RH713R03	COIL 24VDC SUN 790-2B24V	
all	17	15K155A	SKCPSCR-1/2-13X1.5	
all	18	15K043K	SKCPSCR 1/4-20X1.5"BLK	
all	19	15K022C	SOKCPSCR 10-24UNC X 1-3/4" BLK	
all	20	52PY0GR002	HEXPLUG 3/8"XOR#6-P50N-SS	
all	22	52PY0GR004	HEXPLUG 1-1/4" OR-SEAL #20 P50N-S	
all	25	52PY1AR001	HEX PLUG 1"OR #6408-16-0	
all	26	52AY0ER019	STRMALESAEXFNPT #6-1/4 F50G-SS	
all	28	52XY0KP001	TESTPORT QUICKCONN-MALE #Pd361	
all	29	52XY0KP004	TESTPORT QUICKCONN-MALE#PD34BTL	
all	30	52ZC00S003	TUBEFIT STRTHDCN3/4"#12 F5OLO-S	
all	31	52ZC00S008	TUBEFITSTRTHDCON 1"#16 F5OLO-S	
all	32	52ZC0ES003	TUBEFITSTR1/4X3/8#4-6 F5OLO-S	
all	34	52ZC1AS002	TUBEFITLGSTRTHDCON 1"#16 FF5OLO-S	
all	35	52ZJ1AS002	TUBEFIT90ELSWNT1" #16 C6LO-S	
all	39	52ZJ1ES003	1.25 TUBEFIT90JIC #20 C50X-S	
all	40	52ZT00S005	TUBEFIT TEE 1/4" PARKER #4 R6LO-S	
all	47	96DH440LK	LOCK/KEY SUN#993008 FOR 96DH440S	
	48A	09N700B	TRANSDUCER WIKA C-10 0-5000 PSI	5,000 PSI (Used before 03/2023)
	48B	09N700D	TRANSDUCER WIKA C-10 0-10000 PSI	10,000 PSI (Used before 11/2022)
	48C	09N700DA	TRANSDUCER WIKA A-10 0-10000 PSI 0-5VDC	10,000 PSI
	48D	09N700BA	TRANSDUCER WIKA A-10 0-5000 PSI 0-5VDC	5,000 PSI
	49A	12M350V6F	CONN.CABLE SOCKET W/MLD LEADS C10(2M. CABLE)	FOR 48A & 48B
	49C	12M350V6G	CONN.CABLE SOCKET W/MLD LEADS A10(2M. CABLE)	FOR 48C & 48D
	H1-H16		HYDRAULIC HOSES	SEE BMP200015.



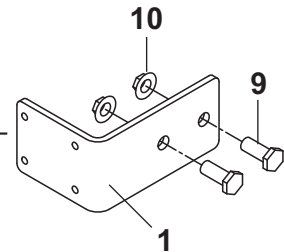
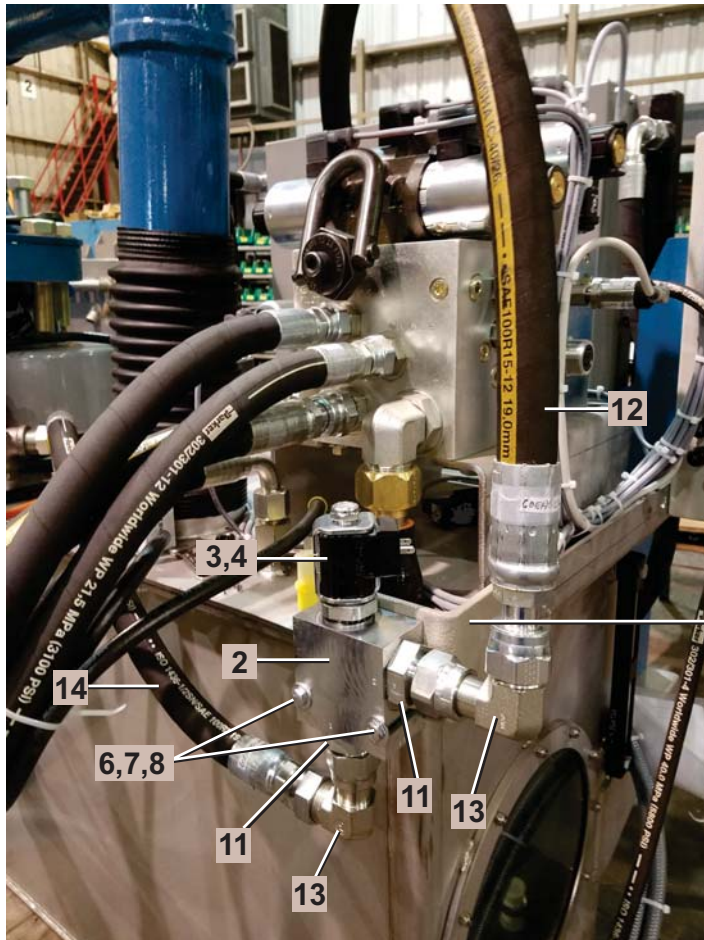
# Larger Bypass Valve and Retrofit

MP1540, MP1556, MP1640, MP1650, MP1656, MP1A50  
MPL550, MPL556, MPL640, MPL650, MPL656



(For Presses produced between 11/2020 and 1/30/2021)

SOL2  
Ram Down Bypass Pilot & Solenoid  
(Remove valve and replace with plug.  
Add larger bypass valve as shown below.)



SOL2 Larger Ram Down Bypass Valve Assembly and Retrofit

# Larger Bypass Valve and Retrofit

**MP1540, MP1556, MP1640, MP1650, MP1656, MP1A50  
MPL550, MPL556, MPL640, MPL650, MPL656**

### Parts List

Find the correct assembly first, then find the needed components. The item letters (A, B, C, etc.) assigned to assemblies are referred to in the "Used In" column to identify which components belong to an assembly. The item numbers (1, 2, 3, etc.) assigned to components relate the parts list to the illustration.

Used In	Item	Part Number	Description	Comments
-----ASSEMBLIES-----				
	A	AHT10074	BYPASS 2-WAY VALVE-24VDC ASSY	24VDC
	B	AHT10074A	BYPASS 2-WAY VALVE-115VAC ASSY	115VAC
	C	96DH463	MAIN MANIFOLD NON-BOOSTER SUN#FV-11338-V1	THIS BYPASS IS FOR SINGLE PUMP PRESSES BUILT BETWEEN 11/2020 & 1/31/21, USING THIS MANIFOLD
-----COMPONENTS-----				
	all	1	07 10853	BYPASS MANIFOLD BRKT
	all	2	96RH713S01B	BODY: B16-2-16T
	all	3	96RH713S01V	PARKER 2 WAY VALVE : DSH161N
	A	4	96RH713S01C1	COIL: CAP024D 24VDC
	B	4	96RH713S01C2	COIL: 115VAC #CAP115D
	all	5	96RH713S01P	SUN CAVITY PLUG: XEOAXXN
	all	6	15K047	HXCAPSCR 1/4-20UNCX2+1/2 ZINC
	all	7	15U185	FLATWASHER(USS STD) 1/4" ZNC P
	all	8	15G178	1/4"-20 HEXFLANGE NUT ZINC
	all	9	15K151	HXCAPSCR 1/2-13UNC2AX1.25 GR5
	all	10	15G222B	HEXFLGNUT 1/2-13 ZINC SERRATED
	all	11	52ZC00S004	TUBESTRCON3/4X1"OR#12-16 F5OLO-S
	all	12	60EH51C36A	ASSY=HI-PRESSURE HOSE 3/4"X36"LG
	all	13	52ZJ00S006	TUBEFIT90EL3/4"#12 C6LO-S
	all	14	60EH50C20A	3/4"90FJICSWXSTRFEMORSW=20"

# Pressure Gauges

MP1540, MP1556, MP1640, MP1650, MP1656  
 MPL556, MPL640, MPL650, MPL656



**CAUTION:** Damage hazard — High pressure will destroy the low pressure gauge.

- Do not connect the 2,000 PSI (138 Bar) gauge to a 10,000 PSI (689 Bar) port.

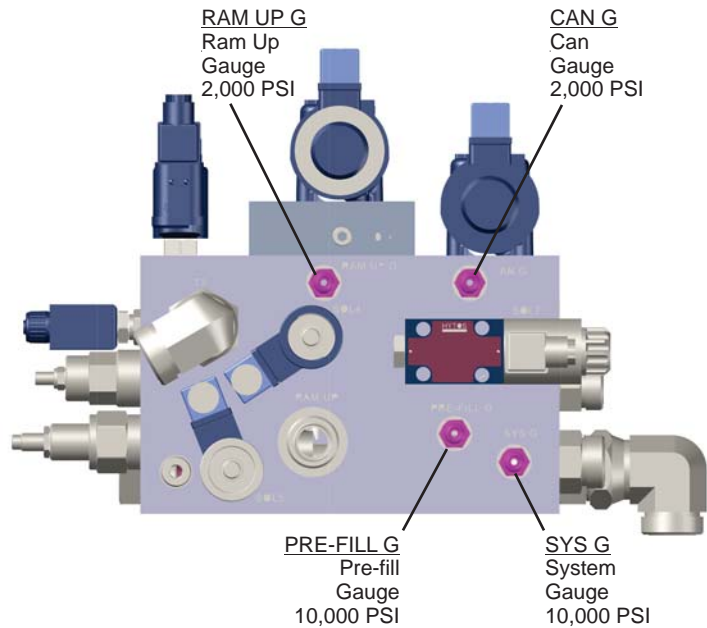
**Pressure gauge assemblies:**

Pressure gauges are not mounted on the machine. The gauges are shipped with the machine for use in servicing as needed. Each gauge assembly includes: gauge, hose, fittings, oring, and quick disconnect. Both 2,000 PSI & 10,000 PSI gauges are required to service the machine.



1  
2,000 PSI

2  
10,000 PSI



**Parts List—Pressure Gauges**

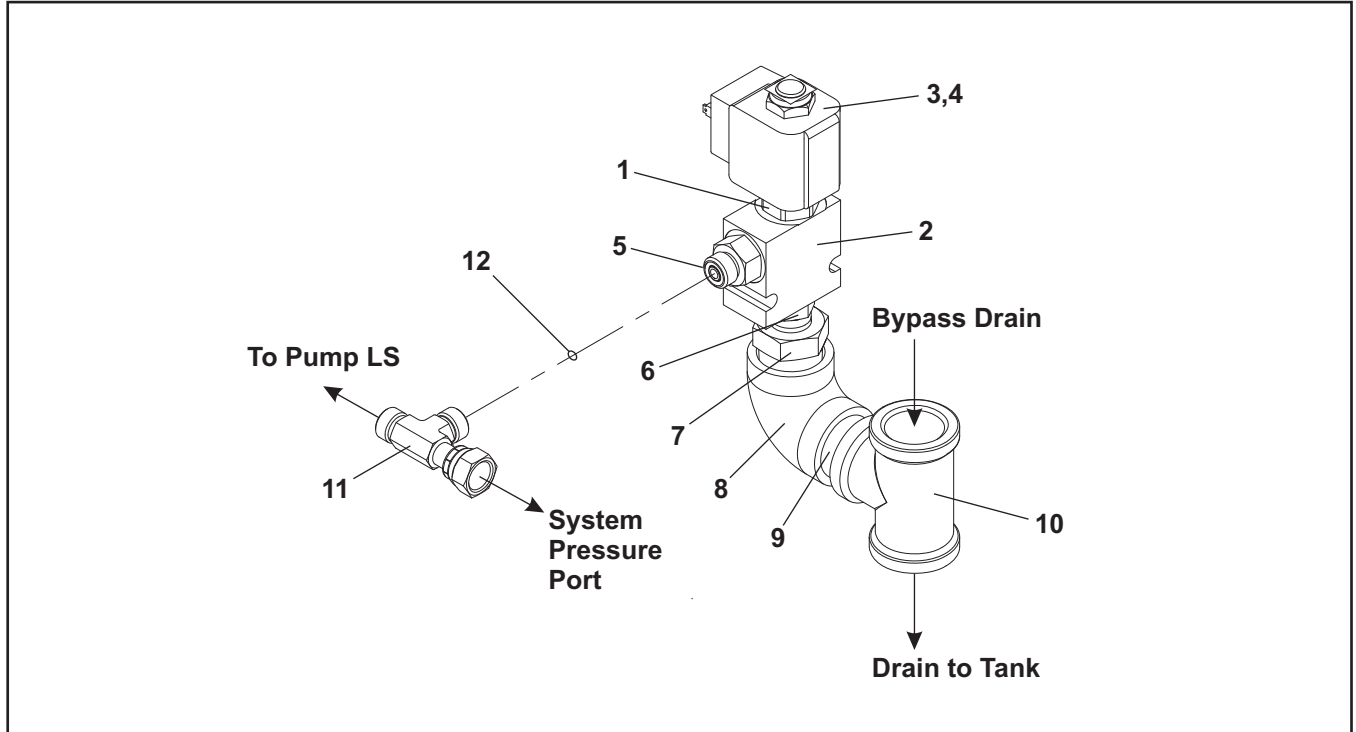
Find the correct assembly first, then find the needed components. The item letters (A, B, C, etc.) assigned to assemblies are referred to in the "Used In" column to identify which components belong to an assembly. The item numbers (1, 2, 3, etc.) assigned to components relate the parts list to the illustration.

Used In	Item	Part Number	Description	Comments
	A	AHT10053D	MAIN MANIFOLD ASSY/NON BOOSTER-96DH463	REFERENCE
-----COMPONENTS-----				
all	1	AHT10053B	PRESS-2,000PSI TEST GAUGE	
all	2	AHT10053C	PRESS-10,000PSI TEST GAUGE	

# Decompression Valve

MPL556, MPL640, MPL650, MPL656

Effective 5/1/2023



### Parts List—Decompression Valve

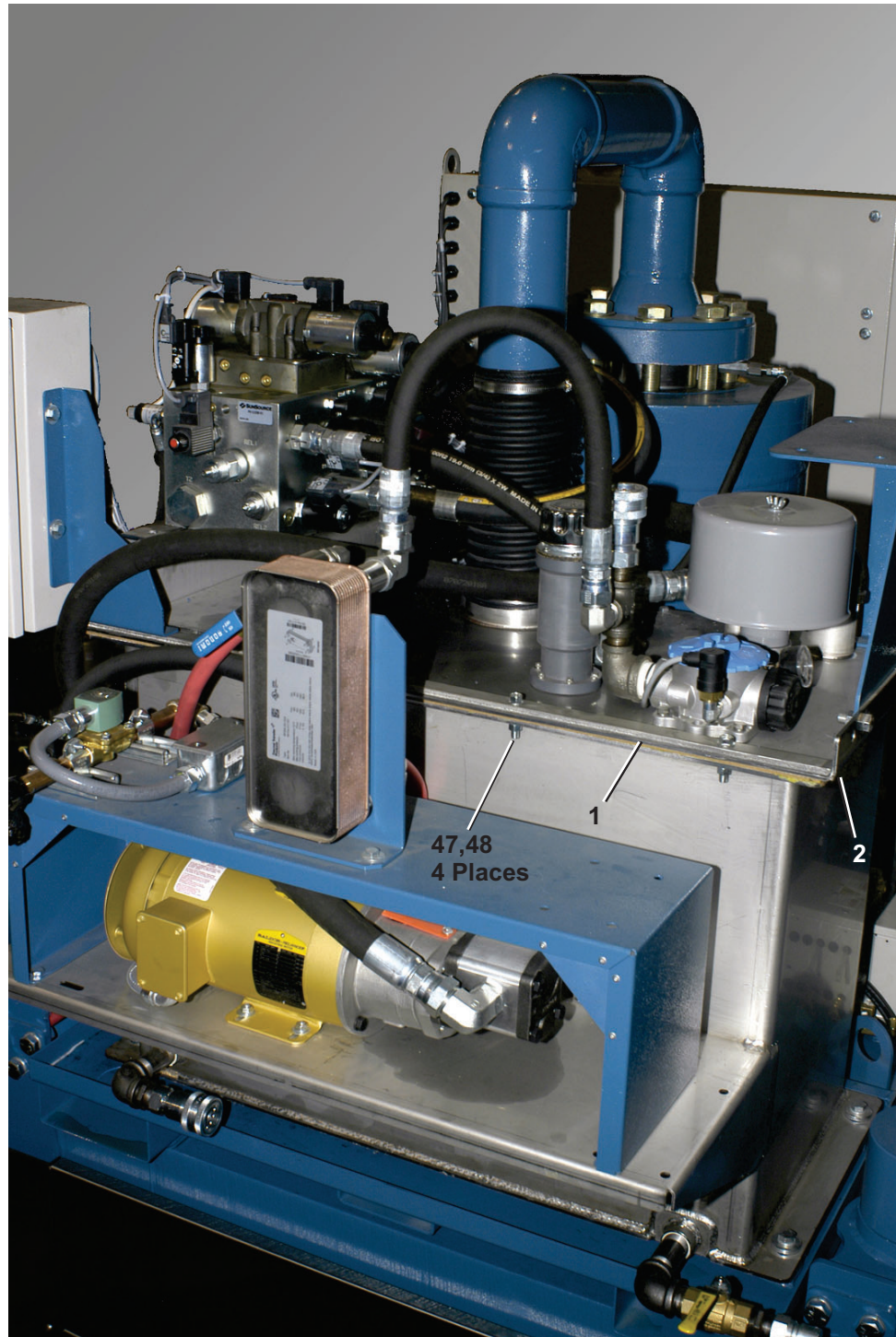
Find the correct assembly first, then find the needed components. The item letters (A, B, C, etc.) assigned to assemblies are referred to in the "Used In" column to identify which components belong to an assembly. The item numbers (1, 2, 3, etc.) assigned to components relate the parts list to the illustration.

Used In	Item	Part Number	Description	Comments
			-----REFERENCE ASSEMBLIES-----	
	A	AHT10077	PRESS DECOMPRESSION VALVE ASSY	
			-----COMPONENTS-----	
all	1	96RH713T01V	PARKER 2 WAY VALVE : DSH081CR	
all	2	96RH713T01B	BODY: B08-2-6T	
all	3	96RH713T01C	COIL: CCP024D	
all	4	12M348V3F	SOLE.CONN.24VDC/VAC 2M	
all	5	52ZC0ES003	TUBEFITSTR1/4X3/8#4-6 F5OLO-S	
all	6	52AY0GR007	MPADPT.3/8"XOR#6-3/8F50F-SS316	
all	7	5SB0P0GSFO	NPTHEXBUSH 3/4X3/8 SS304 150#	
all	8	5SL0PMFA	NPTL 90DEG 3/4 BLKMAL 150#	
all	9	5N0PCLSF42	NPT NIP 3/4XCLS TBE BLKSTLSK40	
all	10	5S0PMFA	NPT TEE 3/4" BLKMAL 150#	
all	11	52ZT00S005	TUBEFIT TEE 1/4" PARKER #4 R6LO-S	
all	12	60EH21C20A	ASSY=HYDRAULIC HOSE 1/4"X20"LG	

# Hydraulic Tank

MP1540, MPL556, MPL640, MPL650, MPL656 — Single Manifold, Single Pump Presses

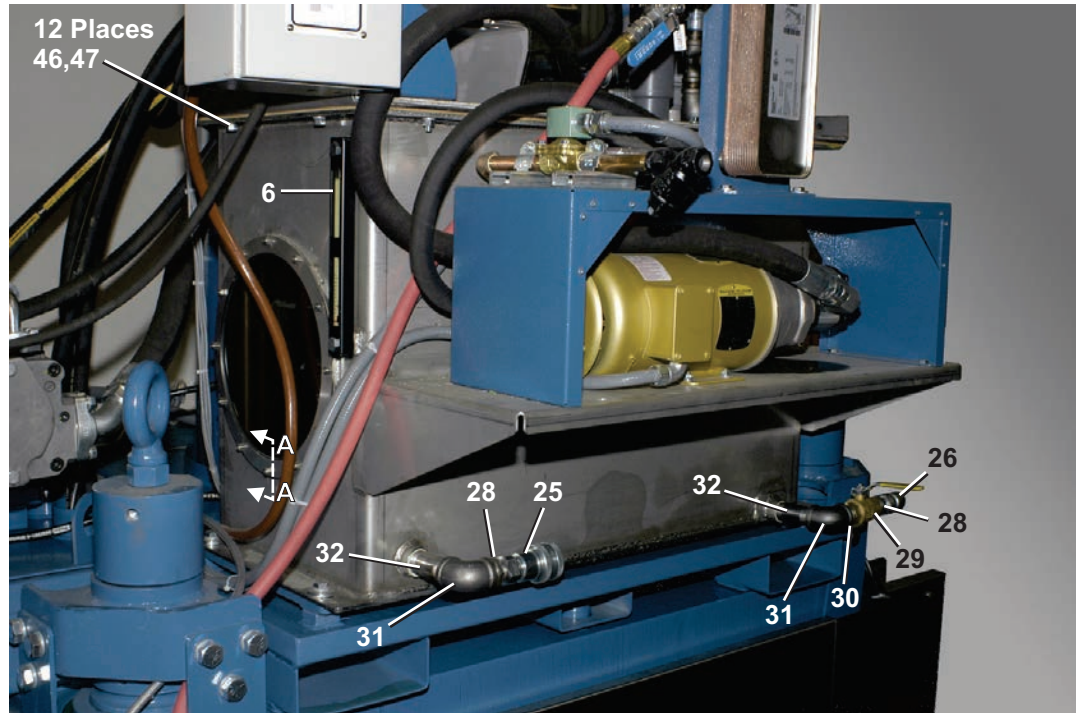
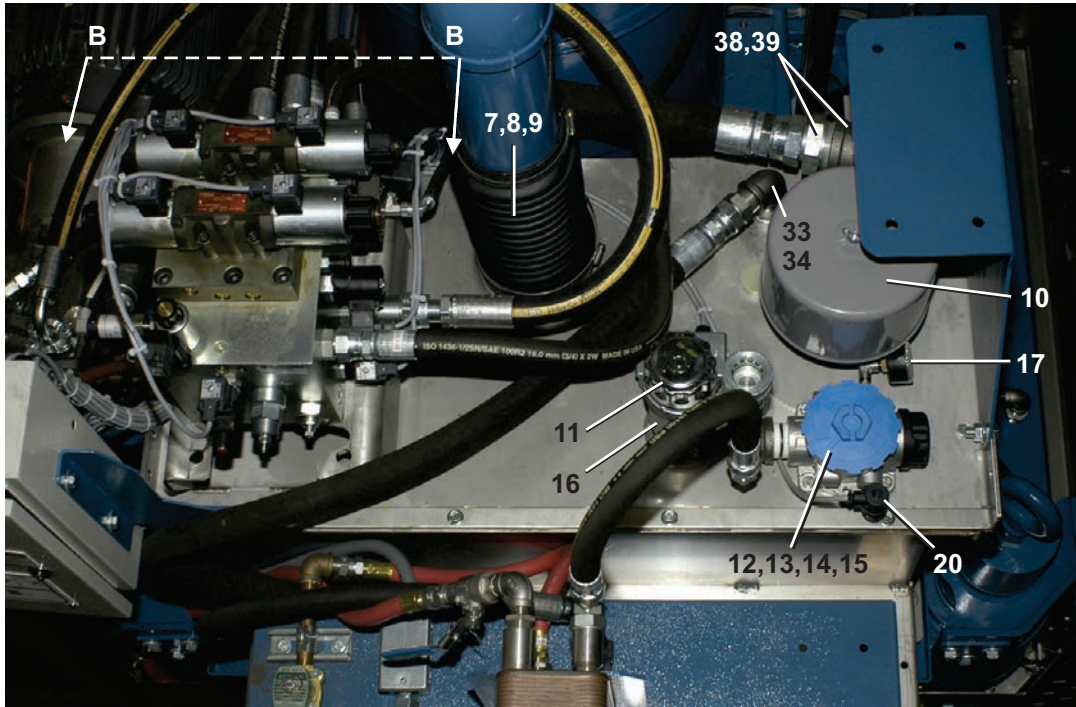
Figure 1: Hydraulic Tank Overview



# Hydraulic Tank

MP1540, MPL556, MPL640, MPL650, MPL656 — Single Manifold, Single Pump Presses

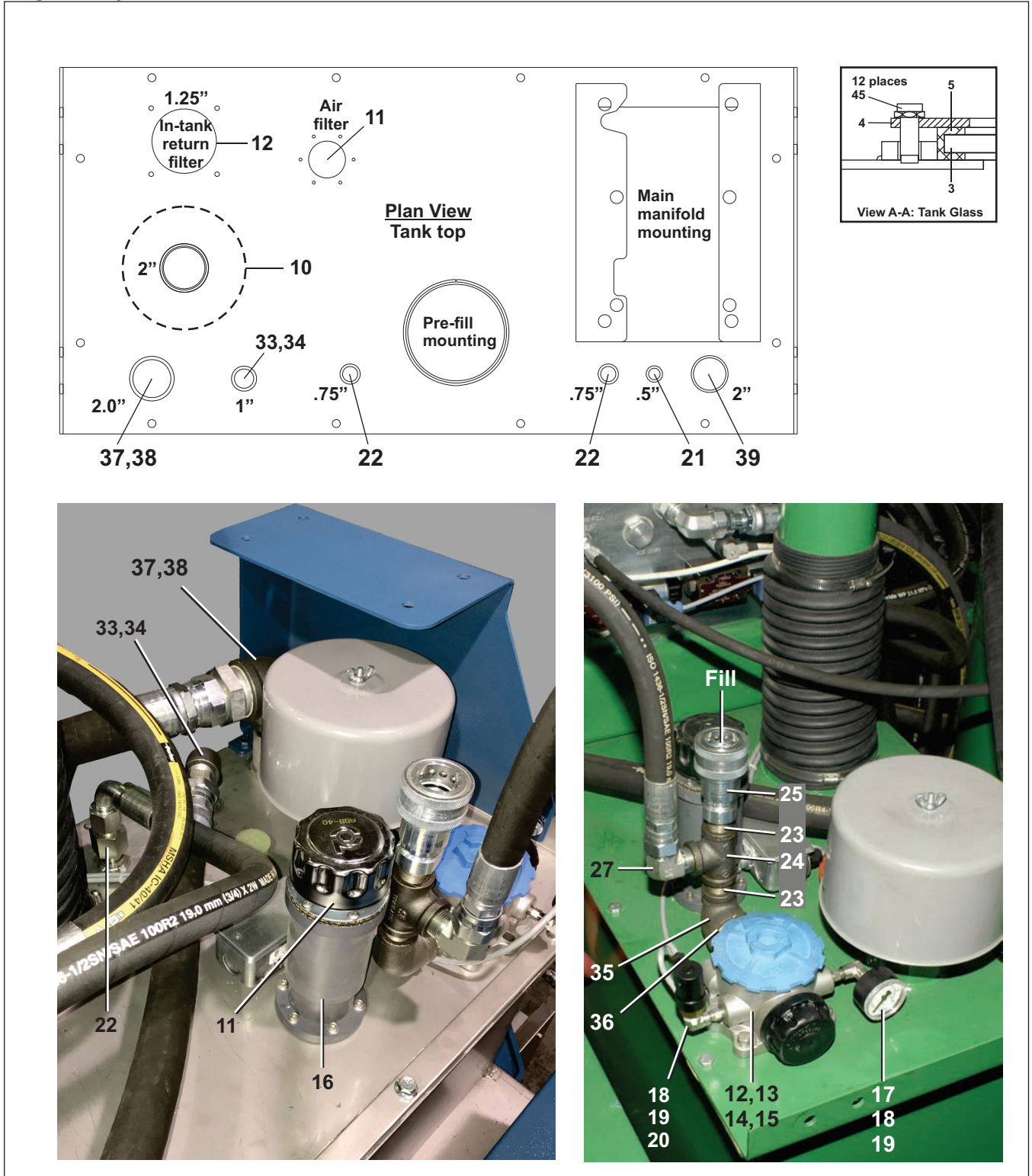
Figure 2: Hydraulic Tank Overview



# Hydraulic Tank

MP1540, MPL556, MPL640, MPL650, MPL656 — Single Manifold, Single Pump Presses

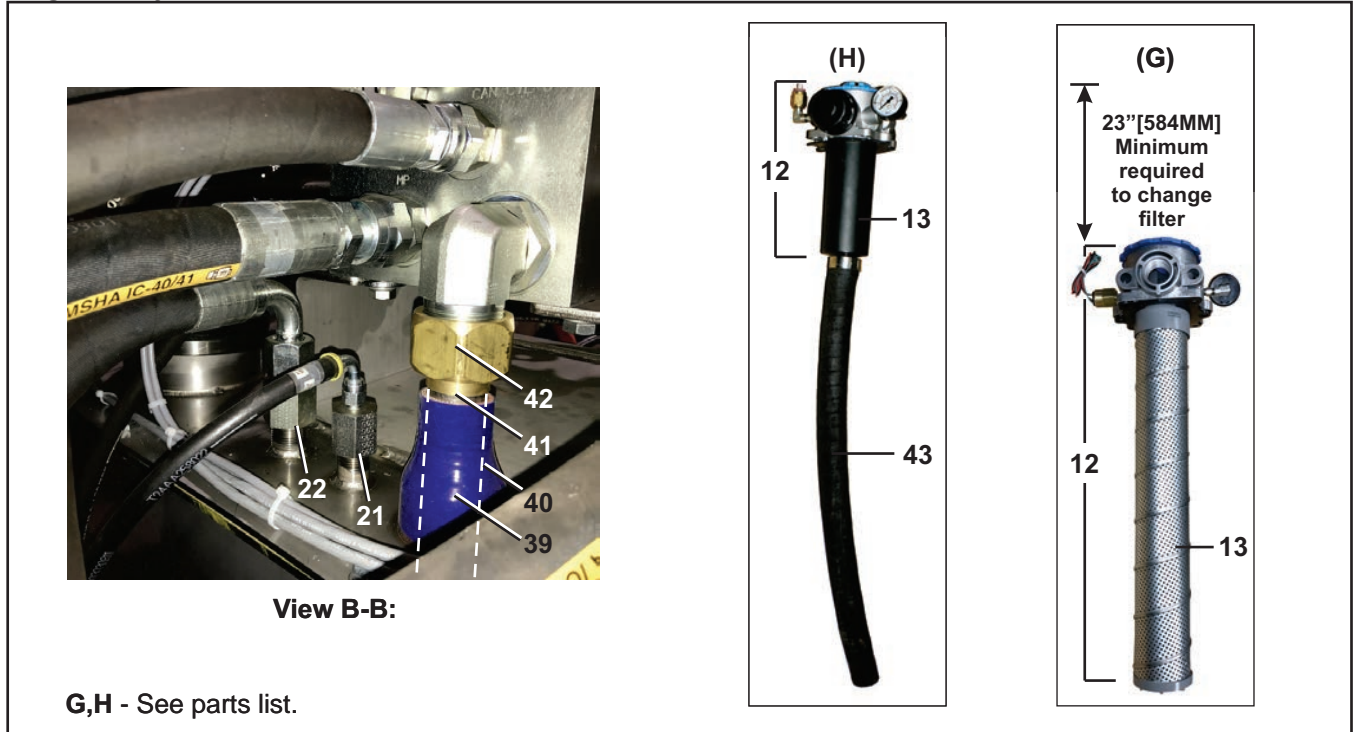
Figure 3: Hydraulic Tank Overview



# Hydraulic Tank

MP1540, MPL556, MPL640, MPL650, MPL656 — Single Manifold, Single Pump Presses

Figure 4: Hydraulic Tank Details



G,H - See parts list.

### Parts List—Hydraulic Tank

Find the correct assembly first, then find the needed components. The item letters (A, B, C, etc.) assigned to assemblies are referred to in the "Used In" column to identify which components belong to an assembly. The item numbers (1, 2, 3, etc.) assigned to components relate the parts list to the illustration.

Used In	Item	Part Number	Description	Comments
-----REFERENCE ASSEMBLIES-----				
	A	AHT10032F	HYD TANK ASSY-MP1540	MP1540
	B	AHT10032K	HYD TANK ASSY-MPL550/640/650	MPL550/640/650
	C	AHT10032L	HYD TANK ASSY-MPL556/656	MPL556/656
-----ASSEMBLIES-----				
ABC	D	AHT10052B	PRESS HYD TANK/TOP ASSY	Tank Assembly (This drawing)
	E	AHT10051B	PRESS HYD TANK ASSY-MP15/16XX	Part of D
	F	AHT10070	MP15/16XX HYD TANK TOP ASSY	Part of D
	G	AHT10066A	INTANK RETURN FILTER ASSEMBLY	Used on F Models Produced After 01/2021
	H	AHT10066	INTANK FILTER+3/4FEM QUICKCONN	Models Produced Before 01/2021
-----COMPONENTS-----				
all	1	07 10530	HYDTANK TOP GASKET-LONG SIDE	
all	2	07 10530A	HYDTANK TOP GASKET-SHORT SIDE	
all	3	02 09215	DRGLASS 12 3/8DIA SS STAMPED	
all	4	07 10392	RING=DOOR GLASS PRESSURE-SSPRESS	
all	5	02 02366C	DOORGLASS GASKET 11"OD-NITRILE BLK	
all	6	27E7303	LEVEL INDICATOR W/THERM-STAUFF	
all	7	60E095	4.5"/5.75" X 12"LG.#45A450575	
all	8	27A086	HOSECLAMP 3+1/8-6"CADSCR#HS-88	
all	9	27A087	HOSECLAMP 4+1/16-5"CADSCR#HS72	
all	10	27E7116	BREATHER 5 MCRN 135CFM LDI#AB-E31P-200	



# Hydraulic Tank

MP1540, MPL556, MPL640, MPL650, MPL656 — Single Manifold, Single Pump Presses

## Parts List—Hydraulic Tank

Find the correct assembly first, then find the needed components. The item letters (A, B, C, etc.) assigned to assemblies are referred to in the "Used In" column to identify which components belong to an assembly. The item numbers (1, 2, 3, etc.) assigned to components relate the parts list to the illustration.

Used In	Item	Part Number	Description	Comments
all	11	27E7201	FILLER-BREATH-FILT.LHA#ABB-40N DONALDSON P562603	
H	12	27E7112	INTANK RETURN FILTER DONALDSON	
G	12	27E7120	INTANK FILTER 5MCR 19"LG+35PSI SW	
H	13	27E7112B	FILTER 11 MIC 8.27"LG DONALDSON P171846	
G	13	27E7112E	FILTER FOR 27E7120-DONALDSON Eb1254	
all	14	27E7112A	FILTER GAUGE-DONALDSON#P171956	
H	15	27E7112C	ELEC.INDICAT-DONALDSON#P171966	
G	15	27E7112F	PRES.SW FOR 27E7120-DONALDSON #G50E	
all	16	AHT10067	LEVEL/TEMP INDICATOR SW-MP15/16XX	
all	17	27E7112A	FILTER GAUGE-DONALDSON#P171956	
all	18	52JY0CR001	ELBOW 1/8"FEM.#5504-02-02	
all	19	52LY0CR001	HEXPIPNIP 1/8"XCLOSE#5404-2-2	
all	20	27E7106C	EPS-1 - SWITCH=27E7106 STAUFF	
all	21	52AY0ER009	STR.1/4"MJICX1/2MP#2404-4-8	
all	22	52XY0KR037	3/4"FNPT X 12 MJIC #12 GTX-S	
all	23	5N0PCLSF42	NPT NIP 3/4XCLS TBE BLKSTLSK40	
all	24	5S0PMFA	NPT TEE 3/4" BLKMAL 150#	
all	25	52XY0BP00X	3/4"QUICK DISCONN.FEM #H6-62	
all	26	52XY0BP00Y	3/4"QUICK DISCONN.MALE#H6-63	
all	27	52ZJ00S007	TUBEFIT90ELFCSL3/4"#12 CLO-S	
all	28	5SB1A0PFEO	NPTHEXBUSH 1X3/4 BLKSTL 125#	
all	29	96D084	BALL VALVE BRZ 1"=BONOMI 171N	
all	30	5N1ACLSF42	NPT NIP 1X CLS TBE BLKSTL Sk40	
all	31	5SL1AMFA	NPT ELBOW 90DEG 1" BLKMAL 150#	
all	32	5N1A03KF42	NPT NIP 1X3.5 TBE BLK STL SK40	
all	33	52JY1AR003	ELB.90 1"MJXFJCSW #6500-16-16	
all	34	27E7111	SUCT.STRAINER=EZYFLO#S-15-100	
all	35	5SL1EFFA0P	NPTELB 90DEG 1.25X3/4BLKMAL150	
all	36	5N1ECLSF42	NPT NIP 1.25XCLS TBE BLKSTLS40	
all	37	52XY1AP014	STRADAPT 1 1/2"MJICX2"MNPT/#24-32 FTX-S	
all	38	5SL2AMFA	NPT ELB 90DEG 2" BLKMAL 150#	
all	39	60E022	HOSE REDUCER 2"X1.25" 5-PLY SILICONE	
all	40	07 10600	MANIFOLD DRAIN 37JIC-FLARE 1-1/4"X28"LG	
all	41	52ZX00S008	TUBEFIT-BRASS SLV.1.25"#20 TX-B	
all	42	52ZX00S007	TUBEFIT-BRASSNUT 1.25"#20 BTX-B	
all	43	60E098	HOSE 1.5" WATER SUCTION HOSE	
all	44	27A060S	HOSECLAMP1+5/16-2.25SSSC#HSS28	
all	45	15G240	HXNUT 3/4-10UNC2B SAE ZINC GR2	
all	46	15K095	HXCPSCR 3/8-16UNC2AX1 GR5 ZINC	
all	47	15G198	HXFLGNUT 3/8-16 ZINC	
all	48	15K110	HEXCAPSCR 3/8-16UNC2AX1.5 GR5-	

# Hydraulic Oil Add

BNP1PI01.C01 0000159985 B.2 1/4/21 3:02 PM Released

This dealer instruction applies to all Milnor 1–stage presses—the newer, single-manifold models, the older multi-manifold models, and all sizes, up to and including the MP1A\_ models. However, the procedures vary somewhat, across models. Where this occurs, the differences are explained. This instruction explains:

- how to add oil at installation or after major hydraulic component replacement
- how to replace oil that has become unserviceable

The procedure to top off the hydraulic oil when it falls below full is routine maintenance that can be performed by the customer, and is explained in the maintenance guide.

**Whenever hydraulic oil is added to the 1–station press, it is always necessary to pass the oil through a clean filter of the correct mesh size. Even new oil, as it comes in the container, is not sufficiently clean. A very serious consequence of failure to pass the oil through a filter is ram scoring. If this occurs, it will become necessary to replace this costly component.**



**CAUTION:** **Insufficient or bad lubricant** — will decrease the life of components.



- ▶ Add lubricant as specified in this instruction.
- ▶ Make sure that all equipment and fittings used to apply lubricants are clean.
- ▶ Use only the given lubricants or lubricants that have the same specifications.

The filter through which oil added to the press is passed can be internal (a press component) or external (typically on an oil filter cart). There are several locations on the press tank where oil can be added, but only one of these puts the oil through a filter. If an external filter is not available, it is necessary to add oil through the internally filtered inlet.

The press internal filter can perform any of three possible functions at different times: oil add, flush, and recirculation. Single-manifold machines use the same filter size to perform all functions. Older, multi-manifold machines, can require a different filter size for each function. Hence, it can be necessary to put a different filter cartridge in the filter receptacle depending on the function to be performed.

## 1. Internal Filter Functions and Cartridges Used in 1–Station Presses

BNP1PI01.R01 0000160059 B.2 B.3 1/5/21 11:07 AM Released

### Filter Functions

**oil add** filtering required whenever oil is added to the press, whether filling the empty tank or topping off the tank to the full mark. Always use a cartridge of the size specified in the table below.

**flush** filtering required at installation and after replacement of major hydraulic components, such as the ram. Before production starts, run the press for eight (8) hours to remove contaminants that may have entered when tank openings, ram opening, or hose connections were exposed.

**recirculation** filtering that occurs continuously while the press is in operation. Depending on the model, this can require a coarser filter so that oil flow is not impeded.

### Required Cartridge

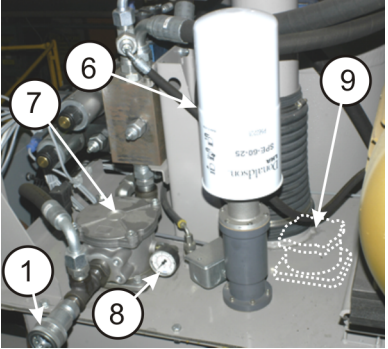
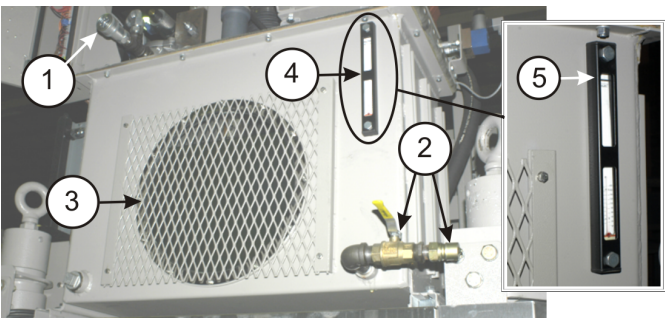
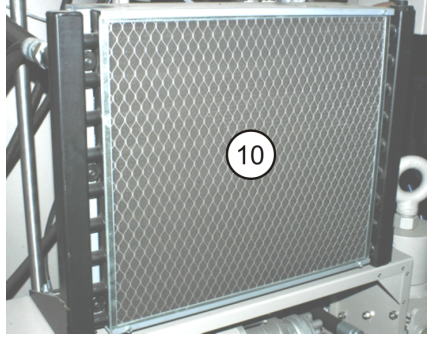
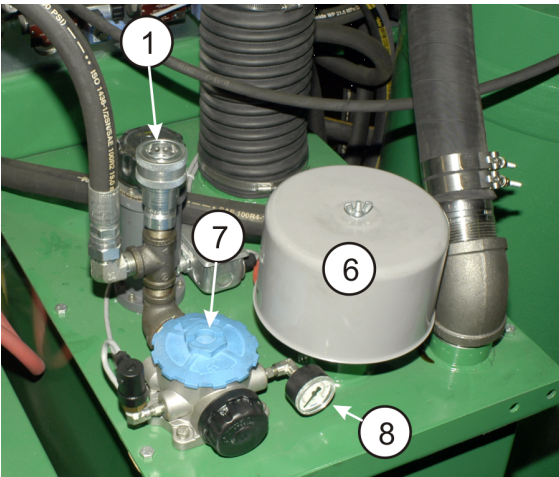
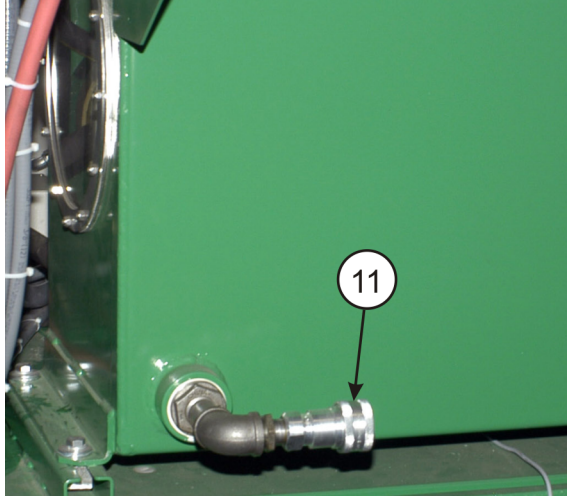
Model	Number of internal filters	Filter Function	Cartridge Mesh Size (microns)	Milnor P/N
All single-manifold models and sizes manufactured after December 2020	1	any	5	27E112E
All single-manifold models and sizes manufactured through December 2020	1	any	11	27E7112B
All older multi-manifold models except MP1A	1	oil add	23 to 25	27E7106A
		flush	4	27E7106E
		recirculation	23 to 25	27E7106A
Older MP1A_ multi-manifold models	2	• oil add	23 to 25	27E7106A
		• flush	4	27E7106E
		• recirculation	11	27E7112B

## 2. Hydraulic Oil Maintenance Components, Capacities, and Specification

BNP1PI01.R02 0000160058 B.2 A.4 1/2/20 1:58 PM Released

### Maintenance Components and Oil Capacities

Figure 1. Maintenance Components and oil capacities

Typical Multi-manifold Machine	Legend
	<ol style="list-style-type: none"> <li>1. Filtered inlet. Add oil here. System capacity: MP15_ and MP16_ models = 70 gallons (265 liters). MP1A_ models = 115 gallons (435 liters)</li> <li>2. Remove oil here.</li> <li>3. View port</li> <li>4. Level and temperature gauges</li> <li>5. Tank is full when the level is here. See caution statement.</li> <li>6. Breather and moisture filter</li> <li>7. Housing with oil filter</li> <li>8. Oil filter pressure gauge</li> <li>9. Housing with recirculation oil filter on older MP1A_ models</li> <li>10. Air filter on oil cooler</li> <li>11. Unfiltered inlet — newer single-manifold machines only</li> </ol>
	
<p><b>Typical Single-manifold machine</b></p> 	

**Specification** — The hydraulic system in all Milnor 1–station press models uses Shell Tellus 68 or equivalent oil.

### 3. Add Oil at Installation or After Major Hydraulic Component Replacement — Flush Required

BNP1PI01.T01 0000160060 B.2 1/4/21 3:07 PM Released

Before proceeding, make sure:

- the machine is fully assembled
- all hydraulic connections are tight
- the ram is in the up position and held up by the safety bars
- power is removed at the external disconnect box



**CAUTION:** Adding oil with the ram in the wrong position — Will cause a large quantity of oil to spill the first time the machine is operated.



- ▶ Add oil only with the ram up and secured.

1. Determine if an external filter will be used.
  - If the oil will be passed through an external filter, it is acceptable to add oil at any convenient, unfiltered port on the tank.
  - If no external filter is available, it is necessary to add oil through the quick disconnect inlet on top of the tank (Item 1 in [Figure 1: Maintenance Components and oil capacities, page 3](#)).
2. Examine the filter cartridge to confirm that it is the mesh size specified in : [Required Cartridge, page 2](#) and it is clean. If this procedure is due to major hydraulic component replacement, replace the used oil filter cartridge with a new one.



**NOTE:** New 1–station presses are shipped from the Milnor factory with a 5 micron internal oil filter installed. This filter was used to test system at the factory, but is still serviceable. It can be used to add oil and flush the system on site.

3. Add new oil (Shell Tellus 68 or equivalent) until the fill gauge on the hydraulic tank indicates the system is full. This will require approximately the volume of oil given in [Figure 1: Maintenance Components and oil capacities, page 3](#) for your model.

Before the machine can be put into service, it is necessary to flush the hydraulic system. This is an eight (8) hour process and must be performed when the machine is off line.

4. Flush the hydraulic system, as follows:
  - a. Ensure that the cartridge currently installed in the machine is the correct size to flush the system.
  - b. Restore external power to the machine.
  - c. Apply control power (⏻).

- d. Start the machine (①).
- e. Let the machine run for eight (8) hours.
- f. Shut down the machine and remove power at the external disconnect box.
- g. Remove and discard the oil filter that was used to flush the system.
- h. Add a new filter cartridge of the mesh size given in : [Required Cartridge, page 2](#) for your model and for the recirculation function.

## 4. Replace Unserviceable Oil — Flush Not Required

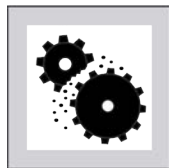
BNP1PI01.T02 0000160124 B.2 A.3 1/2/20 1:58 PM Released

**Before proceeding, make sure:**

- the ram is in the up position and held up by the safety bars
- power is removed at the external disconnect box



**CAUTION:** Adding oil with the ram in the wrong position — Will cause a large quantity of oil to spill the first time the machine is operated.



- ▶ Add oil only with the ram up and secured.

1. Make sure that the manual valve on the tank drain port (item 2 in [Figure 1: Maintenance Components and oil capacities, page 3](#)) is closed.
2. Connect the drain hose between the drain port on the tank and the container you will use to collect the used oil.



**NOTE:** The drain port has a quick disconnect fitting. It will be necessary to use a hose with a mating fitting or remove the quick disconnect fitting from the drain port.

3. Operate the manual valve to allow oil to flow. Close the valve when the tank is empty.
4. Remove the drain hose. If you removed the quick disconnect fitting, either replace it or put a cap on the drain pipe.
5. Determine if an external filter will be used.
  - If the oil will be passed through an external filter, it is acceptable to add oil at any convenient, unfiltered port on the tank.
  - If no external filter is available, it is necessary to add oil through the quick disconnect inlet on top of the tank (Item 1 in [Figure 1: Maintenance Components and oil capacities, page 3](#)).
6. Replace the used oil filter cartridge with a new one. Make sure the new cartridge is the mesh size specified in : [Required Cartridge, page 2](#) .
7. Add new oil (Shell Tellus 68 or equivalent) until the fill gauge on the hydraulic tank indicates the system is full. This will require approximately the volume of oil given in [Figure 1: Maintenance Components and oil capacities, page 3](#) for your model.

Hydraulic Oil Add

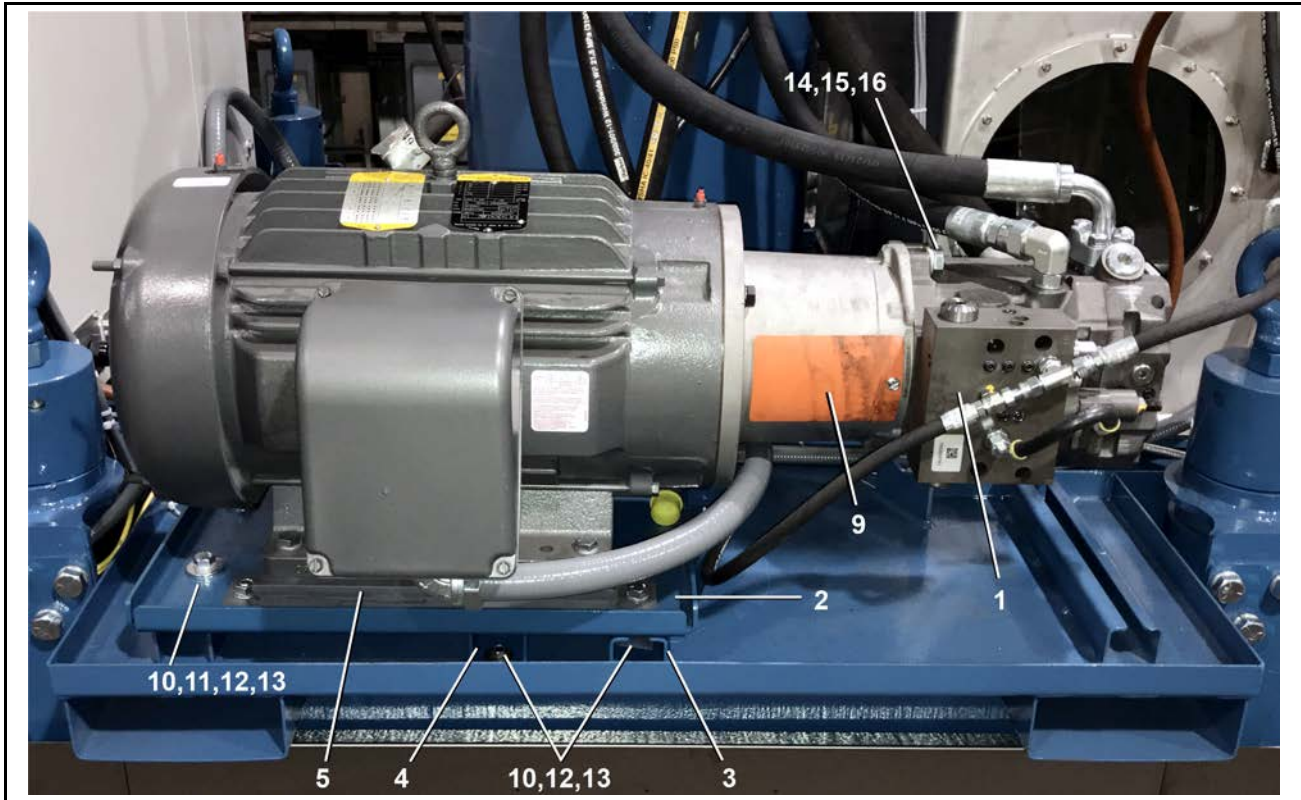
End of document: BNP1PI01

# Hydraulic Main Pump(Single Manifold-Single Pump)

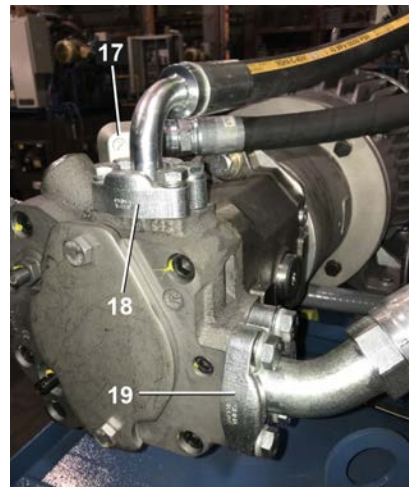
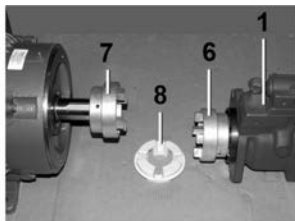
MPL550, MPL556, MPL640, MPL650, MPL656



**NOTE:** For hydraulic pumps used prior to November 2019, see BMP110022.



### Coupling Assembly

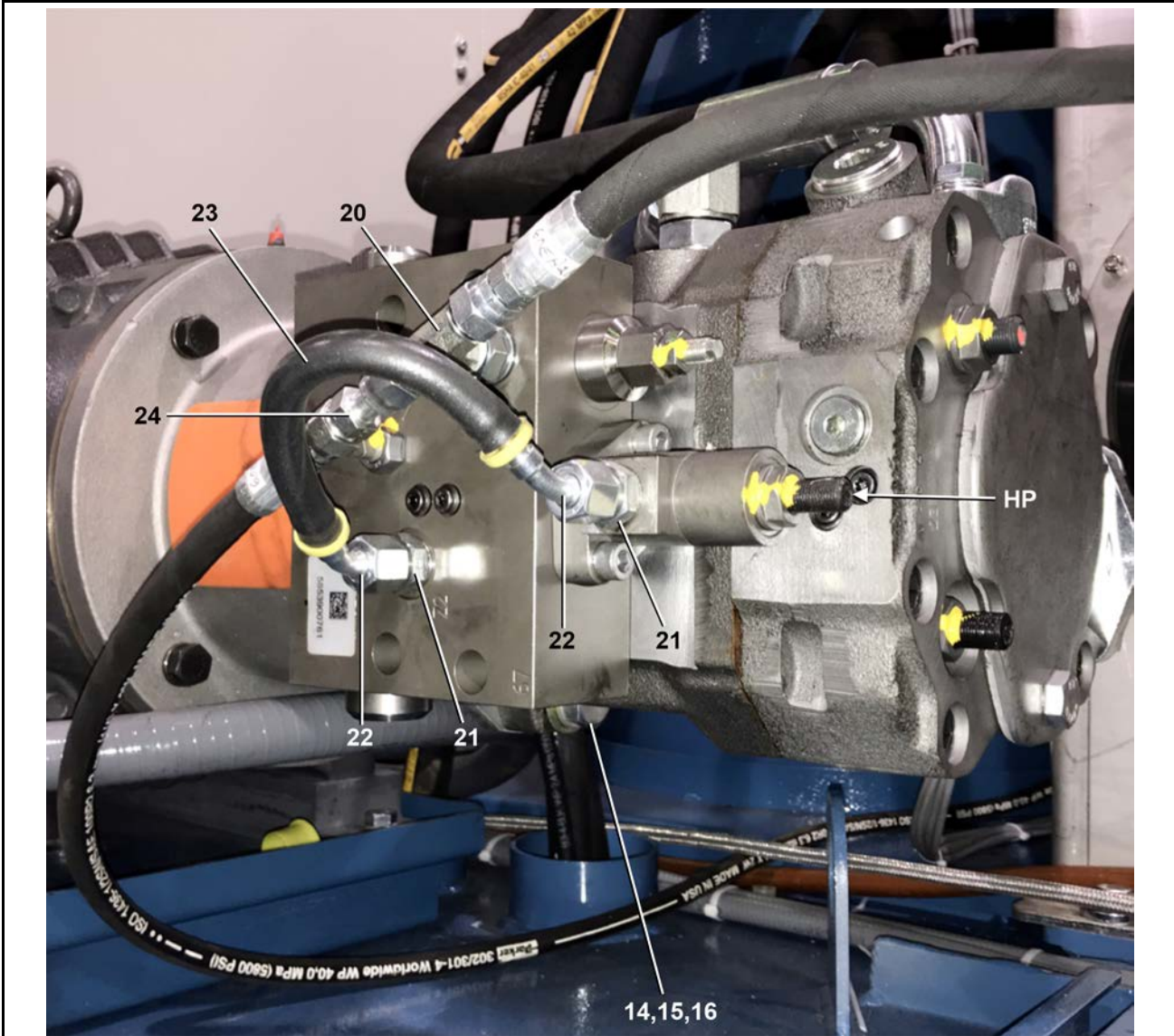




## Hydraulic Main Pump(Single Manifold-Single Pump)

2 of 3

MPL550, MPL556, MPL640, MPL650, MPL656



### Legend

HP . . Horsepower Adjustment—See below.

**Table 1. Parts List—Hydraulic Main Pump(Single Manifold-Single Pump)**

Find the assembly for your machine and the letter shown in the "Item" column. The components for your machine will show this letter or the word "all" in the "Used In" column. The numbers shown in the "Item" column are those shown in the illustrations.

Used In	Item	Part Number	Description/Nomenclature	Comments
Reference Assemblies				
	A	GHC10021B	MOTOR 286TC/75CC PUMP INSTL	
Components				

## Hydraulic Main Pump(Single Manifold-Single Pump)

3 of 3

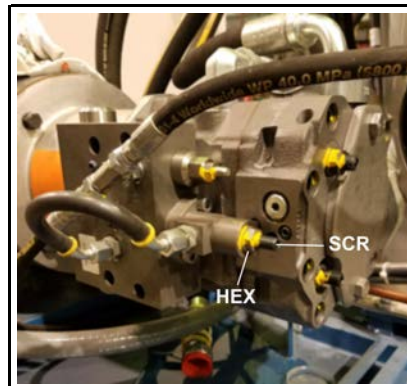
MPL550, MPL556, MPL640, MPL650, MPL656

### Parts List—Hydraulic Main Pump(Single Manifold-Single Pump) (cont'd.)

Find the assembly for your machine and the letter shown in the "Item" column. The components for your machine will show this letter or the word "all" in the "Used In" column. The numbers shown in the "Item" column are those shown in the illustrations.				
Used In	Item	Part Number	Description/Nomenclature	Comments
all	1	27E55057	PISTON PUMP 75CC LINDE HPR075	
all	2	07 10753	MAIN PUMP 75CC MTG PLATE	
all	3	07 10531F	MOUNTING RAIL 14"LG	
all	4	07 10531	RAIL=MOTOR MOUNT 8"LG	
all	5	60BS6842	DAMPENING ROD #SMB324405	
all	6	27E5533	SPLINE COUPLING MAGNALOY M500A1412C	
all	7	27E5507C	MAGNLOY COUP.M50012816 HUBONLY	
all	8	27E5507D	MAGNALOY M570-U9 INSERT	
all	9	27E5507JA	MAGNALOY M284682C ADAPTER	
all	10	15K180	HXCAPSCR 1/2-13UNCX2 GR5 ZINC	
all	11	15U241SZ	FLATWASHER 1.5 ODX.406 IDX.25T	
all	12	15U300	LOKWASHER REGULAR 1/2 ZINC PLT	
all	13	02 19283	NUT=1/2-13UNCX1+1/2SQ SPEC	
all	14	15K222A	HEXCAPSCR 5/8-11X3/4 GR8	
all	15	15U316	FLTWASH 5/8 HARD ASTM F436	
all	16	15U315	LOKWASHER MEDIUM 5/8 ZINCPL	
all	17	52ZJ0PS003	ELBOW90 MALE ORFS #12M22C870MLO-S	
all	18	52AY2AR007	FLANGEKIT CODE62 3/4" #M2M2HK-12	
all	19	52AY2AR008	FLANGEKIT CODE61 1-1/2" #M1M1HK-24	
all	20	52ZT1AS006	TUBEFIT TEE PARKER#4M14S87OMLOS	
all	21	52ZJ0PS005	M14X1.5 MALE ORB X 1/4" ORFS MALE	
all	22	51E506E	45DEG ELBOW SWIVEL 1/4" ORFS FEMALE X 1/4" PUSH ON TUBE	
all	23	6.00E+77	HOSEPUSHLOK 1/4"PARKER#801-4	
all	24	52ZC0ES010	TUBFIT PARKER#4 LOHL6-S .031 ORIFICE	

### Linde Pump Horsepower Adjustment

- Turn the adjustment screw in to increase amperage draw (increase horsepower); turn the screw out to decrease.
- Adjust so that the motor pulls approximately 90% of the full load amperage rating while the ram is pressurizing.

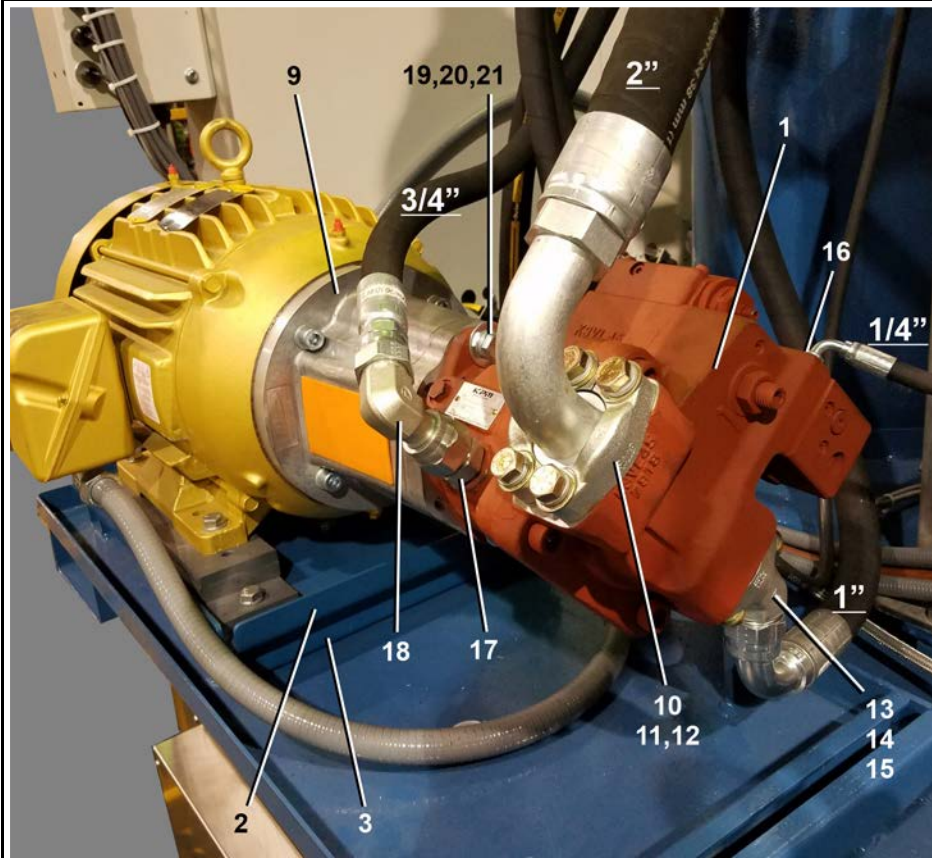


#### Legend

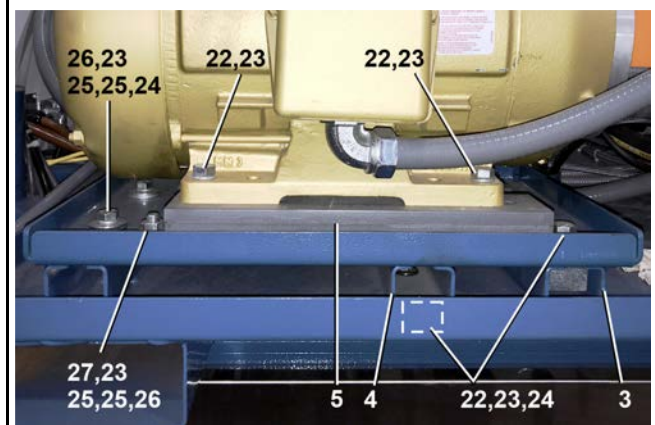
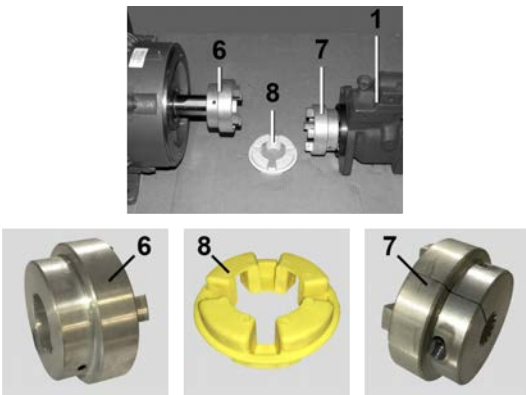
- HEX** . 17mm wrench for hexnut  
**SCR** . 5mm Allen wrench for adjusting screw

# Hydraulic Main Pump

MP1540\_ with Single Manifold and Skidded Hydraulics (Produced after 08/2020.)



## Coupling Assembly



# Hydraulic Main Pump

MP1540\_ with Single Manifold and Skidded Hydraulics (Produced after 08/2020.)

**Table 1. Parts List—**

Find the assembly for your machine and the letter shown in the "Item" column. The components for your machine will show this letter or the word "all" in the "Used In" column. The numbers shown in the "Item" column are those shown in the illustrations.				
Used In	Item	Part Number	Description/Nomenclature	Comments
Assemblies				
	A	GHC10024	MOTOR 254TC/45CC PUMP INSTL	REFERENCE
Components				
all	1	27E550466	PISTON PUMP 45CC	PUMP
all	2	07 10753	MAIN PUMP 75CC MTG PLATE	
all	3	07 10531F	MOUNTING RAIL 14"LG	
all	4	07 10531	RAIL=MOTOR MOUNT 8"LG	
all	5	60BS6841	DAMPENING ROD #HC-286TC-W (EACH = 1 BAR)	
all	6	27E5510	COUP.ASSY.=1+5/8"BOREX3/8"KEYWAY	
all	7	27E5504E	COUP.ASSY.1"BX1/4KW #M30010008	
all	8	27E5510B	HYTREL INSERT-MAGNA#M370H5	
all	9	27E5504D	PUMP-TO-MOTOR MT.	
all	10	27E5504A	SUCTION PORT-1-1/2"SPLIT FLANGE	
all	11	27E5504AB	O-RING FOR (27E5504A)	
all	12	5SL2AMFA1K	NPT ELB 90DEG 2X1.5 BLKMAL150#	
all	13	27E5504B	PRESSURE PORT-1"SPLITFLANGE	
all	14	27E5504BA	O-RING FOR (27E5504B)	
all	15	52JY1AR014	EL45COD61FLGSEALOK1"#16-LOVQ1S	
all	16	52ZC0ES003	TUBEFITSTR1/4X3/8#4-6 F5OLO-S	
all	17	52ZCF50L0S	TUBEFITSTR3/4X1/2"#12-8 F5OLO-S	
all	18	52ZJ00S006	TUBEFIT90EL3/4"#12 C6LO-S	
all	19	15K222B	HEXCAPSCR 5/8-11 UNCX1+3/4 GR5	
all	20	15U316	FLTWASH 5/8 HARD ASTM F436	
all	21	15U315	LOKWASHER MEDIUM 5/8 ZINCPL	
all	22	15K182	HEXTAPSCR 1/2-13X2ZINC GR5 FUL	
all	23	15U300	LOKWASHER REGULAR 1/2 ZINC PLT	
all	24	02 19283	NUT=1/2-13UNCX1+1/2SQ SPEC	
all	25	15U280	FL+WASHER(USS STD)1/2 ZNC PL+D	
all	26	15K162	HXCAPSCR 1/2-13UNC2AX1.5 GR5 P	
all	27	15G230	HXNUT 1/2-13UNC2B SAE ZINC GR2	

# Pre-fill Pipe & Valve

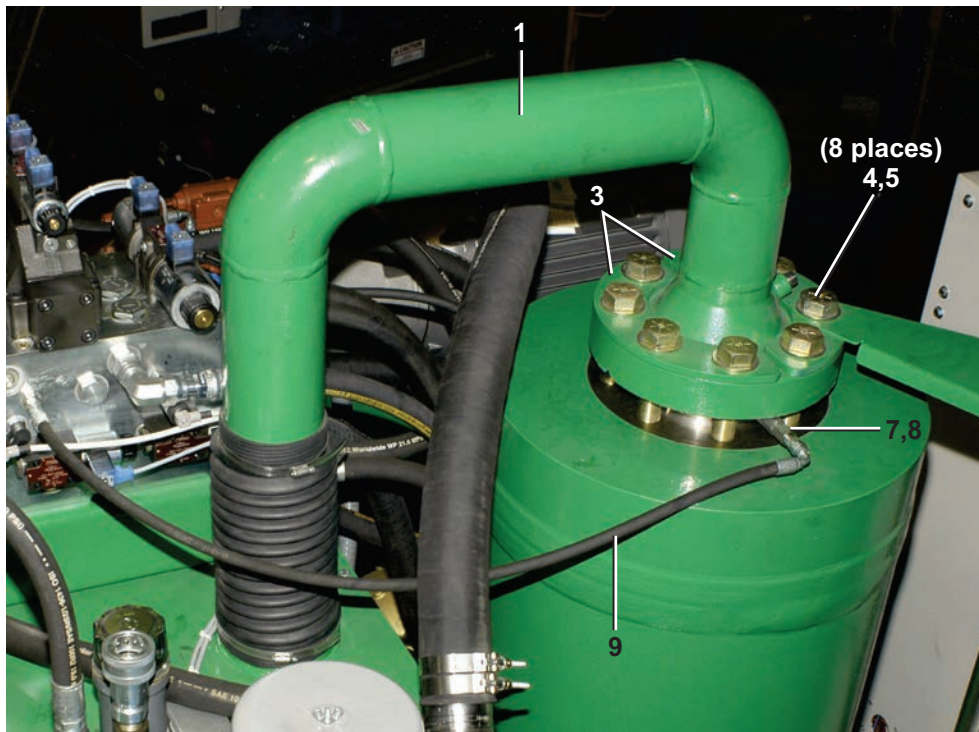
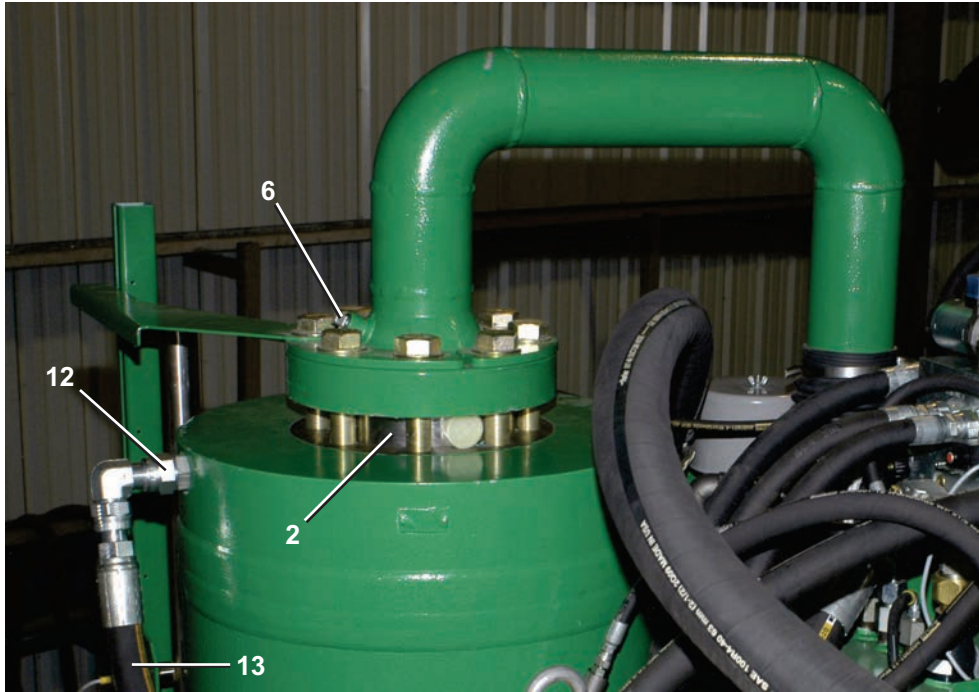
MP1540, MP1556, MP1640, MP1656, MP1A50  
MPL556, MPL640, MPL650, MPL656

BMP200010/2022484A  
(1 / 3)



Pellerin Milnor Corporation  
P. O. Box 400, Kenner, LA 70063-0400

Litho in U.S.A.



# Pre-fill Pipe & Valve

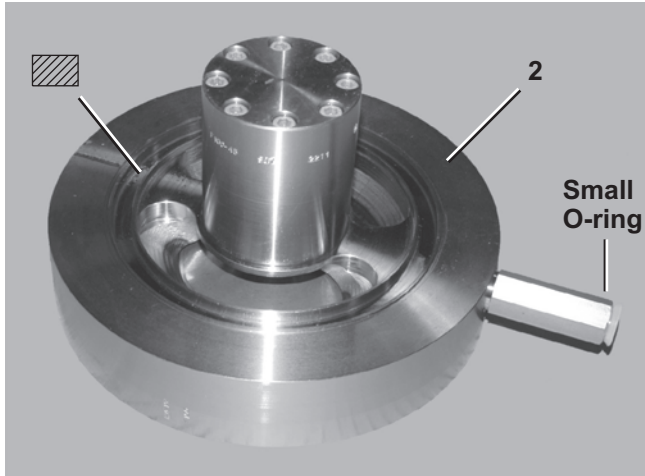
**MP1540, MP1556, MP1640, MP1656, MP1A50  
MPL556, MPL640, MPL650, MPL656**

BMP200010/2022484A  
(2 / 3)

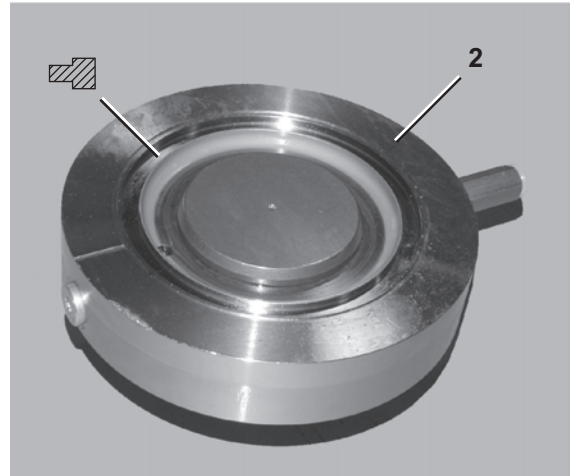


Pellerin Milnor Corporation  
P. O. Box 400, Kenner, LA 70063-0400

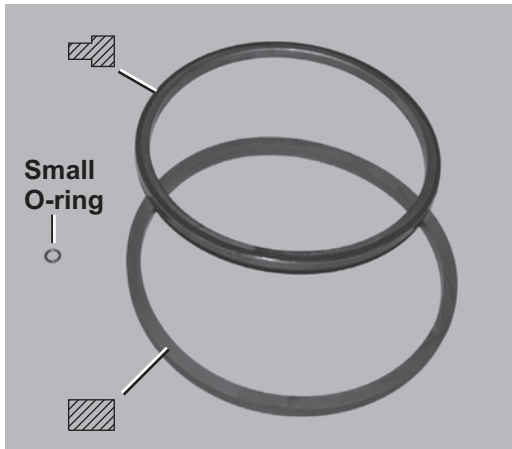
Litho in U.S.A.



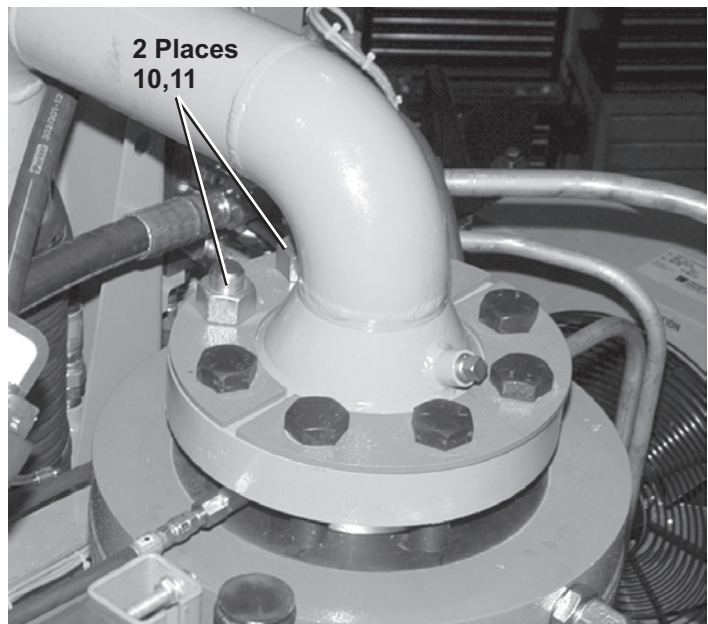
Prefill Valve



Bottom View: Prefill Valve



O-ring Kit for Prefill Valve (14)



Detail: Hardware, Short Pre-fill Pipe (11.13")

# Pre-fill Pipe & Valve

**MP1540, MP1556, MP1640, MP1656, MP1A50  
MPL556, MPL640, MPL650, MPL656**

**BMP200010/2022484A  
(3 / 3)**



**Pellerin Milnor Corporation**  
P. O. Box 400, Kenner, LA 70063-0400

Litho in U.S.A.

## Parts List—Pre-fill Pipe & Valve

Find the correct assembly first, then find the needed components. The item letters (A, B, C, etc.) assigned to assemblies are referred to in the "Used In" column to identify which components belong to an assembly. The item numbers (1, 2, 3, etc.) assigned to components relate the parts list to the illustration.

Used In	Item	Part Number	Description	Comments
-----REFERENCE ASSEMBLIES-----				
	A		REM TOP PREFILL PIPE-SHORT	MP15x/16x, MPL640,650 MPL556,656
	B		REM TOP PREFILL PIPE-TALL	MP15x/16x, MPL640,650 MPL556,656
	C		REM TOP PREFILL PIPE-SHORT MP1A	MP1A50
	D		REM TOP PREFILL PIPE-TALL-MP1A	MP1A50
-----COMPONENTS-----				
A	1	W7 10240	SHORT PREFILL PIPE-REM TOP	
B	1	W7 10240A	TALL PREFILL PIPE-REM TOP	
C	1	W7 10290	MP1A50 SHORT PREFILL PIPE-REM TOP	
D	1	W7 10290A	MP1A50 TALL PREFILL PIPE-REM TOP	
all	2	X7 10416B	PREFILL VALVE HAWE-MACHINED	
all	3	X7 10267	PREFILL PIPE FLANGE WASHER	
all	4	15K307	HEXCAPSCR 1+1/8-12X5+1/2" GR8	
all	5	15U441	FLTWASH 1-1/8" HARD ASTM F436	
all	6	51P031	PLUG PIPE SQ 1/2-14 NPT HD PLA	
all	7	52AY0ER013	CONV.ADAPT.BRIT.1/4X1/4F40HG-SS	
all	8	52ZC0ES001	TUBEFIT 1/4"STR.#4-4 FLO-S	
AB	9	60EH21C42A	ASSY=HYDRAULIC HOSE 1/4 X42LG	
CD	9	60EH21C40A	ASSY=HYDRAULIC HOSE 1/4 X40LG	
all	10	17R113A07K	STUD 1 1/8-12UNFX7+1/2 B7 ZINC	
all	11	15G258	HXNUT 1+1/8-12UNF2B ZINC GR2	

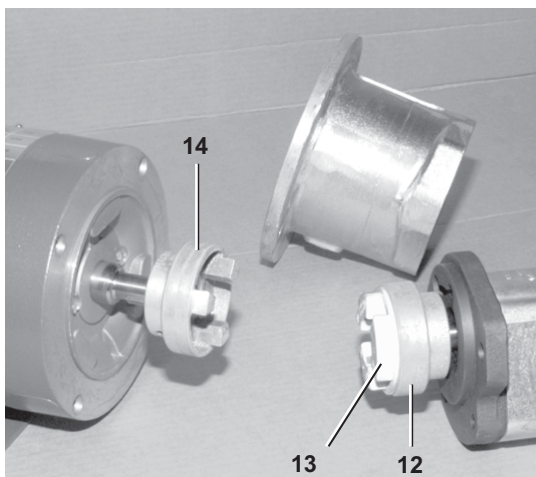
# Oil Cooler - Air Cooled

MP1540, MP1556, MP1640, MP1650, MP1656, MP1A50  
 MPL556, MPL640, MPL650, MPL656

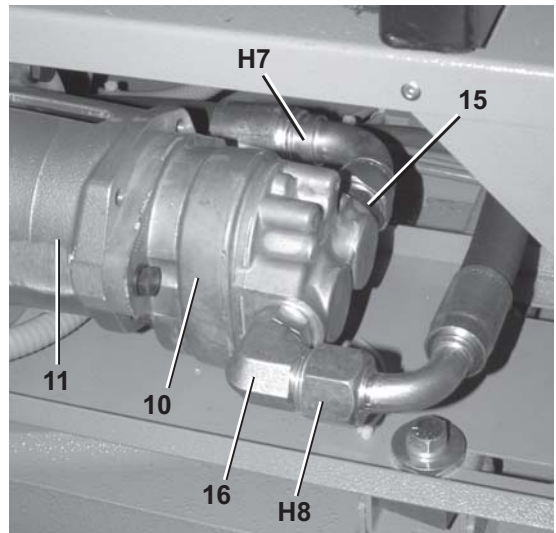
BMP110033/2021055A  
 (1 / 2)



Pellerin Milnor Corporation  
 P. O. Box 400, Kenner, LA 70063-0400



Cooler Pump Coupling Assembly





# Oil Cooler - Air Cooled

**MP1540, MP1556, MP1640, MP1650, MP1656, MP1A50  
MPL556, MPL640, MPL650, MPL656**

**BMP110033/2021055A  
(2 / 2)**



**Pellerin Milnor Corporation**  
P. O. Box 400, Kenner, LA 70063-0400

Litho in U.S.A.

## Parts List—Oil Cooler - Air Cooled

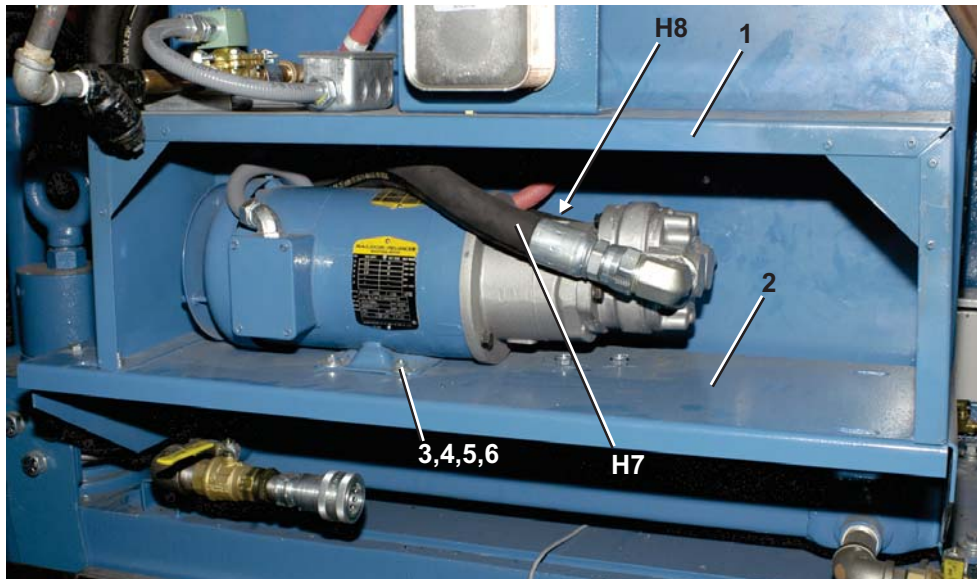
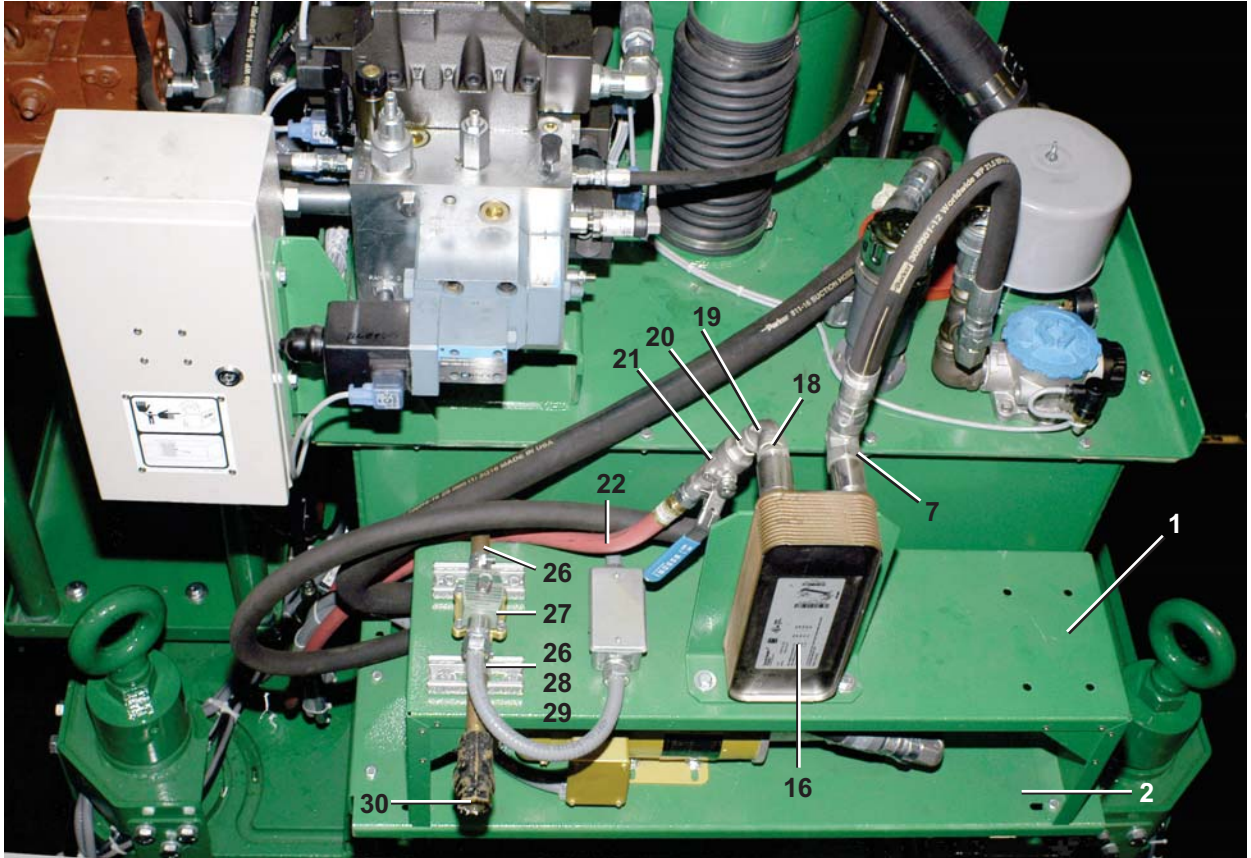
Find the correct assembly first, then find the needed components. The item letters (A, B, C, etc.) assigned to assemblies are referred to in the "Used In" column to identify which components belong to an assembly. The item numbers (1, 2, 3, etc.) assigned to components relate the parts list to the illustration.

Used In	Item	Part Number	Description	Comments
-----ASSEMBLIES-----				
	A	G80CT001A	COOLING TOWER- 96DH462A & 96DH463	MP15X, MP16X MPL640,650 MPL556,656
	B	G80CT001B	COOLING TOWER ASSY-96DH464	MP1A50
-----COMPONENTS-----				
A	1	07 10308	RECIRC PUMP HOUSING-TOP	
B	1	07 10308B	RECIRC PUMP HOUSING-TOP	
A	2	07 10796	RECIRC HOUSING BOTTOM	
B	2	07 10798	RECIR HOUSING BOTTOM-MP1AXX	
all	3	15K095	HXCPSCR 3/8-16UNC2AX1 GR5 ZINC	
all	4	15G205	HXNUT 3/8-16UNC2B ZINC GR2	
all	5	15U255	LOCKWASHER MEDIUM 3/8 ZINCPL	
all	6	15U240	FLATWASHER(USS STD) 3/8" ZNC P	
all	7	15K085	HEXCAPSCR 3/8-16UNC2AX3/4 GR5	
all	8	52ZJ00S009	TUBEFIT90EL3/4X5/8"FACESEAL OR	
all	9	52ZC00S003	TUBEFIT STRTHDCN3/4"#12F5OLO-S	
all	10	27E5506	GEAR PUMP-RECIRC.PUMP-EATON	
all	11	27E5506A	PUMP TO MOTOR MOUNT	
all	12	27E5506G	COUP ASSY=5/8" BORE X 5/32" KW	
all	13	27E5506D	URETHANE INSERT FOR COUP.ASSY.	
all	14	27E5506B	COUP.ASSY=5/8"BORE X 3/16"KW	
all	15	52XY0KR050	STRDPT 3/4MX1"MJ#6400-16-12-0	
all	16	52ZJ00S007	TUBEFIT90ELFCSL3/4"#12CLO-S	
all	17	27HS091AAU	OIL COOLER 8HP@15GPM 50/60	
all	17	27HS092AAU	OIL COOLER 20HP@10GPM 50/60	
all	17	27HS091A98	OIL COOLER 8HP@15GPM 575V	
all	17	27HS092A98	OIL COOLER 20HP@10GPM 575V	
all	H7-H9		FOR HOSES, SEE BMP200015.	

# Oil Cooler - Water Cooled

MP1540, MP1640, MP1556, MP1656, MP1A50  
MPL550, MPL556, MPL640, MPL650, MPL656

Figure 1

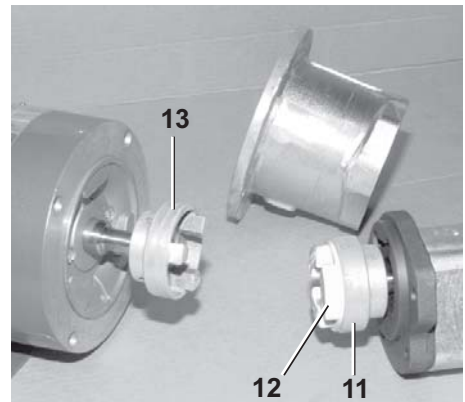
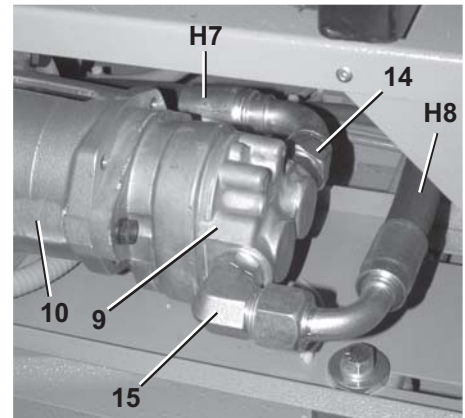
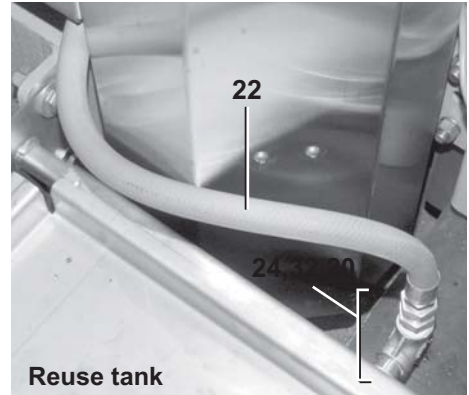
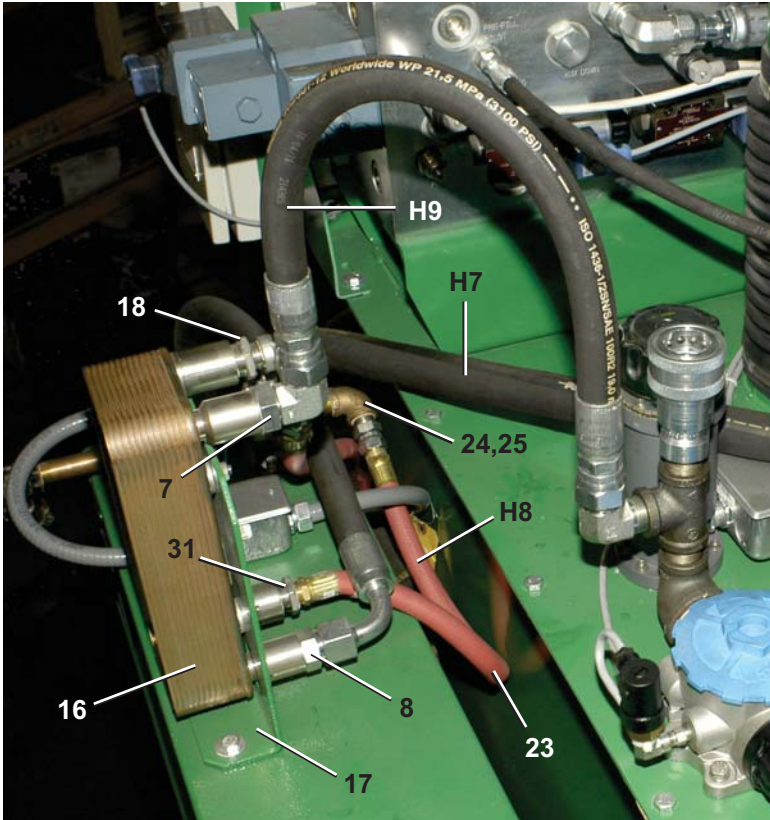


Alternate Cooler Pump Mounting 04/2016

# Oil Cooler - Water Cooled

MP1540, MP1640, MP1556, MP1656, MP1A50  
MPL550, MPL556, MPL640, MPL650, MPL656

Figure 2



Cooler Pump Coupling Assembly

# Oil Cooler - Water Cooled

**MP1540, MP1640, MP1556, MP1656, MP1A50  
MPL550, MPL556, MPL640, MPL650, MPL656**

<b>Parts List—Oil Cooler - Water Cooled</b>				
Find the correct assembly first, then find the needed components. The item letters (A, B, C, etc.) assigned to assemblies are referred to in the "Used In" column to identify which components belong to an assembly. The item numbers (1, 2, 3, etc.) assigned to components relate the parts list to the illustration.				
Used In	Item	Part Number	Description	Comments
-----ASSEMBLIES-----				
	A	AHT10045	WATER COOLED COOLER-SSPRESS	REFERENCE
	B	G80CT001	GEN ASSY COOLING TOWER	used prior to 04/2016
	C	G80CT001A	GEN ASSY COOLING TOWER	used after 04/2016
-----COMPONENTS-----				
all	1	07 10308B	RECIRC PUMP HOUSING-TOP	
B	2	07 10796	RECIRC HOUSING BOTTOM	MP15xx, MP16xx
C	2	07 10798	RECIR HOUSING BOTTOM-MP1AXX	MP1A50
all	3	15K095	HXCPSCR 3/8-16UNC2AX1 GR5 ZINC	
all	4	15G205	HXNUT 3/8-16UNC2B ZINC GR2	
all	5	15U255	LOCKWASHER MEDIUM 3/8 ZINCPL	
all	6	15U240	FLATWASHER(USS STD) 3/8" ZNC P	
all	7	52ZJ00S009	TUBEFIT90EL3/4X5/8"FCSLO#12-10 C5OLO-S	
all	8	52ZC00S003	TUBEFIT STRTHDCN3/4"#12F5OLO-S	
all	9	27E5506	GEAR PUMP-RECIRC.PUMP-EATON	
all	10	27E5506A	PUMP TO MOTOR MOUNT	
all	11	27E5506G	COUP ASSY=5/8" BORE X 5/32" KW	
all	12	27E5506D	URETHANE INSERT FOR COUP.ASSY.	
all	13	27E5506B	COUP.ASSY=5/8"BORE X 3/16"KW	
all	14	52XY0KR050	STRDPT 3/4MX1"MJ#6400-16-12-0	
all	15	52ZC00S005	TUBEFIT 3/4"X5/8"#12-10F50L0S	
all	15	52ZJ00S007	TUBEFIT90ELFCSL3/4"#12CLO-S	
	16	27H11205	SSPRESS HEAT EXCHANGER	before 5/2014
	16	27H11206	HEAT EXCHANGER THERMAL	after 5/2014
B	17	07 10310	HEAT EXCHG MTG BRKT	used prior to 04/2016
C	17	07 10310A	HEAT EXCHG BRKT=27H11206	used after 5/2014
all	18	5N0PCLSS42	NPT NIP 3/4XCLS TBE 304SS SK40	
all	19	5SL0PBEA0K	NPTELB 90DEG 3/4X1/2 BRASS150#	
all	20	5N0KCLSS42	NPT NIP 1/2XCLS TBE 304SS SK40	
all	21	96D040FSLH	1/2" BALVAL S/S LL/HDL	
all	22	60E085C264	HOSE ASSY=1/2"X264"LG+ENDS	
all	23	60E085C20A	HOSE ASSY=1/2" X 20"LG	

# Oil Cooler - Water Cooled

MP1540, MP1640, MP1556, MP1656, MP1A50  
 MPL550, MPL556, MPL640, MPL650, MPL656

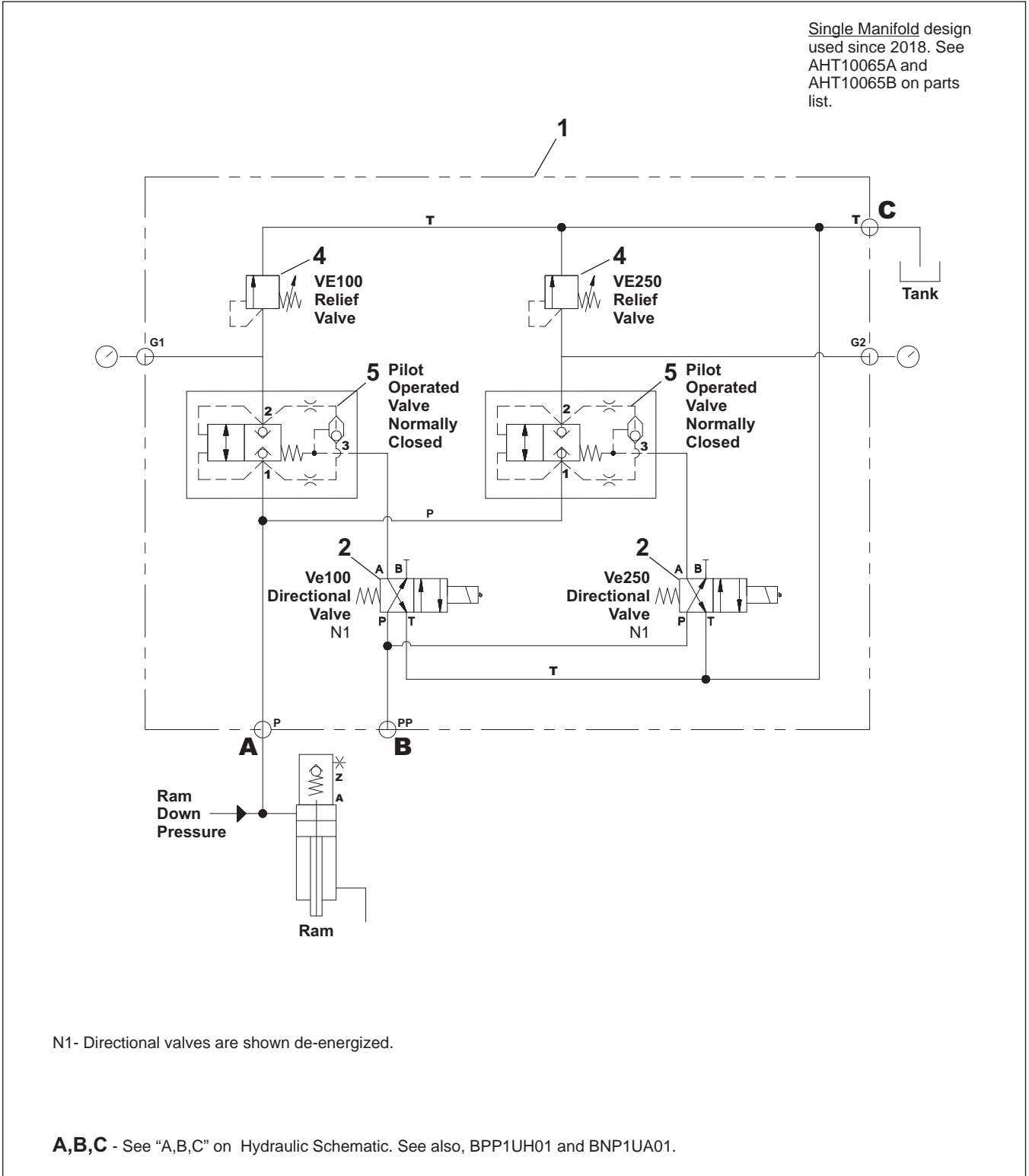
### Parts List—Oil Cooler - Water Cooled

Find the correct assembly first, then find the needed components. The item letters (A, B, C, etc.) assigned to assemblies are referred to in the "Used In" column to identify which components belong to an assembly. The item numbers (1, 2, 3, etc.) assigned to components relate the parts list to the illustration.

Used In	Item	Part Number	Description	Comments
all	24	51X017	UNIONSTRADT 1/2"#1404-8-8	
all	25	5SL0KSFA	NPTELB 90DEG 1/2 304SS 150#	
all	26	5N0K02AG42	NPT NIP 1/2X2 TBE GALSTL SK40	
all	27	96TDC2AA37	1/2"N/C2WY120V50/60C VLV(DRYVC)	
all	28	02 04302	UNISTRUT, 13/16 X 4"	
all	29	27A0100	CLP-RGDSTL PS#1100-1	
all	30	51T025	Y-STRAINER 1/2" CAST IRON	
all	31	5SB0P0KSFO	NPTHEXBUSH 3/4X1/2 SS304 150#	
all	32	5SL0KBEA	NPTELB 90DEG 1/2 BRASS 125#	
all	H7	60EH81C66A	HYD FLEX HOSE 2-STRFEMSW 1"X66"LG	
all	H8	60EH50C48D	HYD HOSE 90+STR.FMORSW 3/4"X48"LG	
all	H9	60EH50C22B	HYD HOSE 2-STRFEMSW 3/4"X22"LG	

# Hydraulic Schematic - Ram Command™ (Delicate Goods) Option

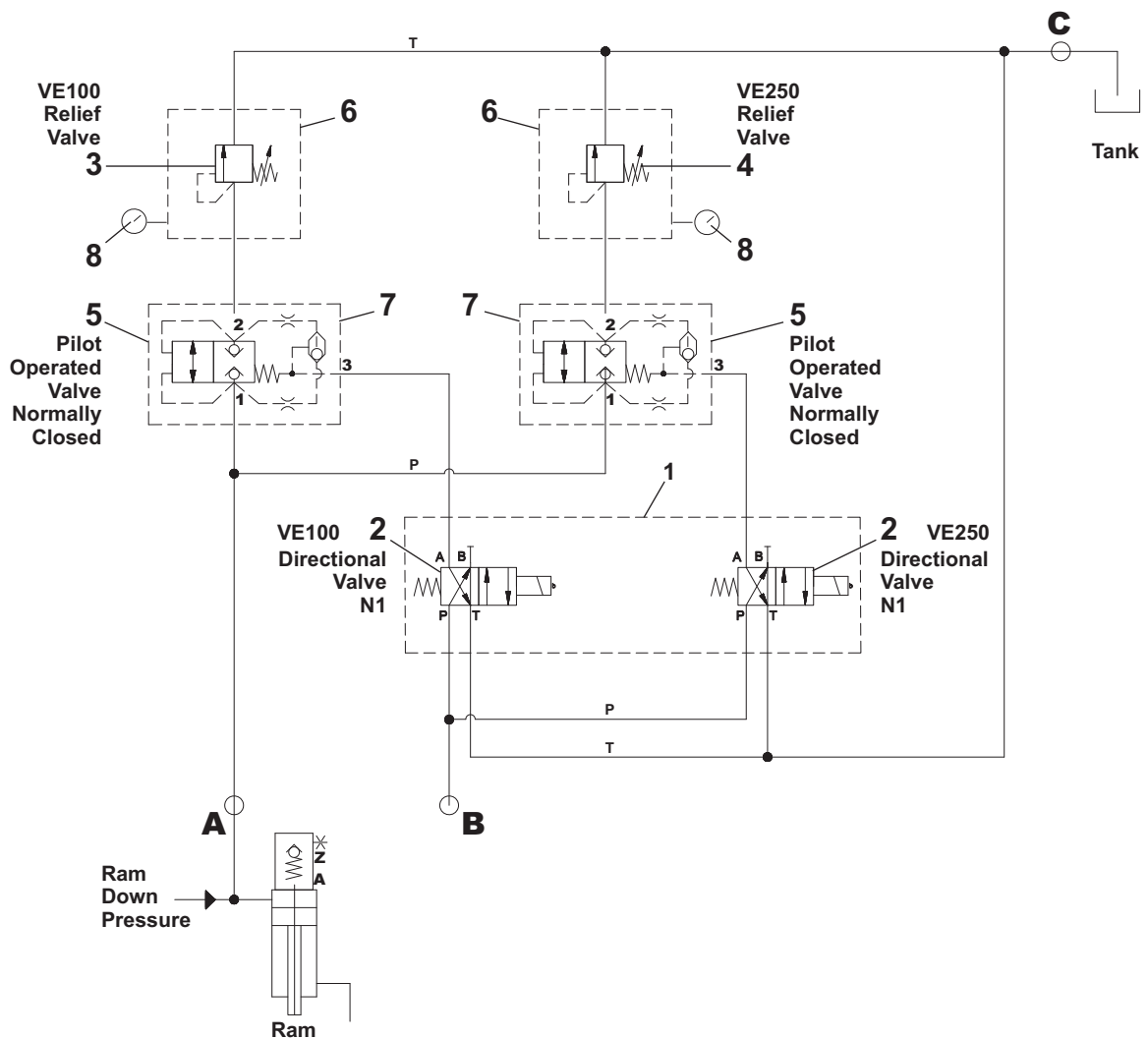
## Single Manifold - Ram Command™ (current)



# Hydraulic Schematic - Ram Command™ (Delicate Goods) Option

## Multi-Manifold - Ram Command™ (obsolete)

Multi-Manifold design used till 2018. See AHT100065 on parts list.



N1- Directional valves are shown de-energized.

A,B,C - See "A,B,C" on Hydraulic Schematic. See also, BPP1UH01 and BNP1UA01.

## Hydraulic Schematic - Ram Command™ (Delicate Goods) Option

### Parts List—Hydraulic Schematic Delicate Goods

Find the correct assembly first, then find the needed components. The item letters (A, B, C, etc.) assigned to assemblies are referred to in the "Used In" column to identify which components belong to an assembly. The item numbers (1, 2, 3, etc.) assigned to components relate the parts list to the illustration.

Used In	Item	Part Number	Description	Comments
-----REFERENCE ASSEMBLIES-----				
	A	AHT10065	DELICATE GOODS RELIEF VALVES ASSY	MP15_, MP16_, MP1A_ BEFORE 2018
	B	AHT10065A	DELICATE GOODS ASSY FOR 96DH463 MANF	MP15_, MP16_, MPL550, MPL650, MPL656 SINCE 2018
	C	AHT10065B	DELICATE GOODS ASSY 96DH462A 96DH464	MP1A50 SINCE 2018
-----COMPONENTS-----				
A	1	96DH486	MANIFOLD DAMAN DD03P022S	
B,C	1	96DH481	MANIFOLD DELICATE GOODS SUN # FV 12455 V1 PPP	
ABC	2	96RH712A02	DIRECTIONAL PILOT VALVE+SOL 24VDC	
A	3	96DH497	VALVE DIRECT RELIEF RDFA-LSN	
A,B,C	4	96DH496	VALVE DIRECT RELIEF RDFA-LEN	
A,B,C	5	96DH498	VALVE CARTRIDGE SUN #LOFD XDN	
A	6	96DH493	BODY, SUN BCLS	
A	7	96DH495	BODY, STEEL SUN CAM/S	
A	8	30N125W	WIKA GAGE 7/16-20SAE 2000PSI/B	



# RAM Command™ Option Adjustment

BNP1UA01.C01 0000278199 D.2 C.5 3/21/22 11:07 AM Released

This document applies to all 1-station press models available with the RAM Command™ option (also called the delicate goods option and formerly called *soft squeeze*). It applies to current production presses with the single manifold hydraulic piping design as well as to older presses with the multi-manifold design.

The document addresses two on-site activities that can be needed:

- Set RAM Command™ pressures either to use different pressures than those set at the factory or because components were replaced.
- Disable the RAM Command™ option to make it easier to troubleshoot the hydraulic system.



**NOTICE:** Understand the press servicing hazards. Do this procedure only if you understand and work with hydraulic systems. Review the press safety guide and the safety information in the parts and service manual.

## 1. Concept of Operation

BNP1UA01.C06 0000278753 D.2 B.3 3/21/22 11:14 AM Released

In summary, the RAM Command™ system applies a very gradual build-up of pressure, which gives sensitive goods time to release water without damage. This system pressurizes the ram in a timed sequence of low, but increasing pressure steps. The factory-set pressures can be reset by the customer. The step durations are specified in programmable press codes.



**NOTE:** Refer to document BMP1400021 “Hydraulic Schematic - RAM Command™...” in the service manual to assist in understanding this information.

The system uses two electrically operated valves, each with an associated pilot operated valve and an adjustable relief valve.

When a RAM Command™ press code is not in effect, valve VE100 and valve VE250 are de-energized, both pilot operated valves are closed, blocking ram pressure to relief valves. The press will operate at standard pressure.

When a RAM Command™ press code is in effect, the RAM Command™ system builds up ram down pressure in a four step sequence, as follow:

1. Valve VE100 is energized, the associated pilot operated valves open allowing flow to the relief valve. Ram down pressure will be at this relief valve setting. Valve VE100 remains open for the Timer A duration then closes.
2. Valve VE250 is energized, the associated pilot operated valves open, allowing flow to the relief valve. Ram down pressure will be at this relief valve setting. Valve VE250 remains open for the Timer B duration then closes.
3. The ram down pressure increases to standby pressure for the Timer C duration..
4. The RAM Command™ sequence ends and standard pressures take effect.



**NOTE:** On machines with the RAM Command™ option, the standard ram up relief pressure is permanently set to 950 psi. This pressure is set to 1500 psi on machines without the option. Although this setting is determined by whether or not the machine has the RAM Command™ option, it is otherwise, independent of the RAM Command™ system.

## 2. How RAM Command™ Press Codes Work

BNP1UA01.C02 0000278198 D.2 B.3 3/12/20 4:12 PM Released

When you apply the RAM Command™ function to a press code, the pressing cycle begins with a sequence of three low, but increasing pressure steps. The press code controls the length of time that each pressure will occur, but not the pressures themselves. The times appear on the press code screen as Timers A, B and C, shown at the bottom left of the figure below. You can specify up to 99 seconds for each timer. A value of 00 for any timer causes the machine to skip that pressure step and proceed to the next pressure.

Figure 1. Enter time values in the fields for Timers A, B, and C at the bottom left of the screen.

	S-01	S-02	S-03
BAR	18		
Secs	020		
Tamp	0		
Max	025		
End	1		

P06  
POLYSHIRTS

HELP

Timer C

Duration of ON time for the FLOW CONTROL output.

Range is 00-99 seconds.  
00 = Disabled

Timer A 99  
Timer B 99  
Timer C 99

### 3. Pressure Adjustment Preparations

BNP1UA01.R01 0000278778 D.2 B.3 3/21/22 9:28 AM Released

**When To Adjust Pressures** — If you replace pressure components, it can be necessary to re-establish all hydraulic pressures, including the RAM Command™ pressures on site. If you wish to use pressure values different from the factory settings, you can change the Timer A and Timer B pressures without affecting the standard pressures.

#### Pressure Adjustment Rules

- Timer A pressure must be lower than Timer B pressure.
- The Timer A and Timer B pressures must not exceed standby pressure (400 or 500 psi, depending on model).

#### Requirements

**Tools** Each relief valve has a locknut and an adjustment screw. Provide a 9/16" wrench for the locknut and a 5/32" Allen wrench for the adjustment screw. Also provide a safe platform to work at the location of the valves. On newer press models, the pressure gauges are not permanently attached; however, the necessary pressure gauges are provided with the machine. Make sure these gauges are on hand.

**Two personnel** One person (referred to herein as the **operator**) starts and stops the press code at the operator controls. The other person (referred to herein as the **technician**) makes the adjustments at the valves. The personnel must be able to clearly communicate with each other. Review this instruction to understand the necessary coordination between the operator and the technician.

**Adjustment press code** Create a dedicated press code or temporarily modify an existing press code that you will use to make the adjustments. **You must do these pressure adjustments with goods in the machine** and a press code running in automatic, and you must do each adjustment during the programmed time that the valve is energized. For this reason, temporarily set the Timer A and Timer B durations to the maximum value (99 seconds). The only important part of this press code is the Timer A and Timer B values. See the 1-station press reference manual for general programming information.

**Press loaded** If you cannot do these procedures with an actual load of goods while production is paused, load and wet down a batch of goods in the press by any safe means.



**TIP:** Electrical schematics W6PM1SSQ and W6PM1SVSB in the 1-Station press schematic manual and parts document BPP1UH01 “Delicate Goods Option (RAM Command™ Ram Control)” in the parts and service manual can assist with troubleshooting the Ram Command system.

### RAM Command™ Factory Specifications

Table 1. Factory Specifications

Model Family	MP1540	1550	1556	1640	1650	1656	1A50
Bar Rating	40	50	56	40	50	56	50
Ram Bore (inch)	14	14	14	14	16	16	17
<b>Settings (PSI)</b>							

**Factory Specifications (cont'd.)**

Model Family	MP1540	1550	1556	1640	1650	1656	1A50
Standby* (Timer C)	500	500	500	500	400	400	525
Ram Up Relief	950	950	950	950	950	950	950
Valve A (VE100) (Timer A)	220	220	220	250	200	200	275
Valve B (VE250) (Timer B)	320	320	320	375	300	300	390

\* Standby pressure is also referred to as idle pressure or ram down relief pressure.

## 4. Pressure Adjustment Operator Procedure

BNP1UA01.C04 0000278269 D.2 C.3 3/21/22 9:12 AM Released

This is a brief explanation. Review the 1-station press reference manual if necessary.

1. When a suitable batch is in the press, put the tunnel in hold to suspend production.
2. Set the press to Manual mode then return it to Automatic mode to initiate the sequence of operator prompts. Respond to the prompts as appropriate. In particular:
  - a. Answer yes to "Does press have a cake?"
  - b. At the Cake Data screen, leave all data as displayed except for the press code. Take note of the press code assigned to this batch then change it to the adjustment press code that you prepared.
  - c. When the technician is ready, answer no to "Discharge cake in can?" The machine will operate and permit the technician to do the adjustments explained in [Section 5 : Pressure Adjustment Technician Procedure, page 4](#).
3. When valve VE250 de-energizes (which ends the available adjustment time) and before the press code is complete, set the machine to Manual mode then return it to Automatic mode. If the adjustments are not complete, respond to the prompts the same way as before to restart the adjustment press code. Otherwise, respond as appropriate to resume production and permit this batch to process according to its actual press code.

## 5. Pressure Adjustment Technician Procedure

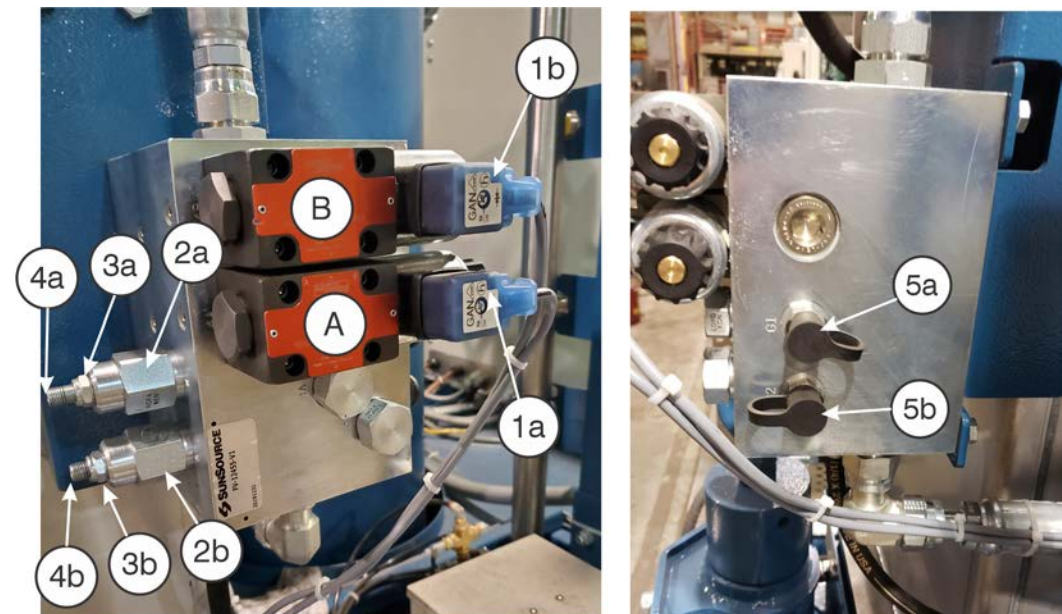
BNP1UA01.C05 0000278268 D.2 3/21/22 9:23 AM Released

This instruction tells how to set the first two pressures (for Timers A and B). The third pressure (for Timer C) is idle (standby) pressure, which is a standard pressure. The procedure to set idle pressure is explained in document BIPPMT02 “Set Standard and Booster Pump Pressures–1-station Press”.

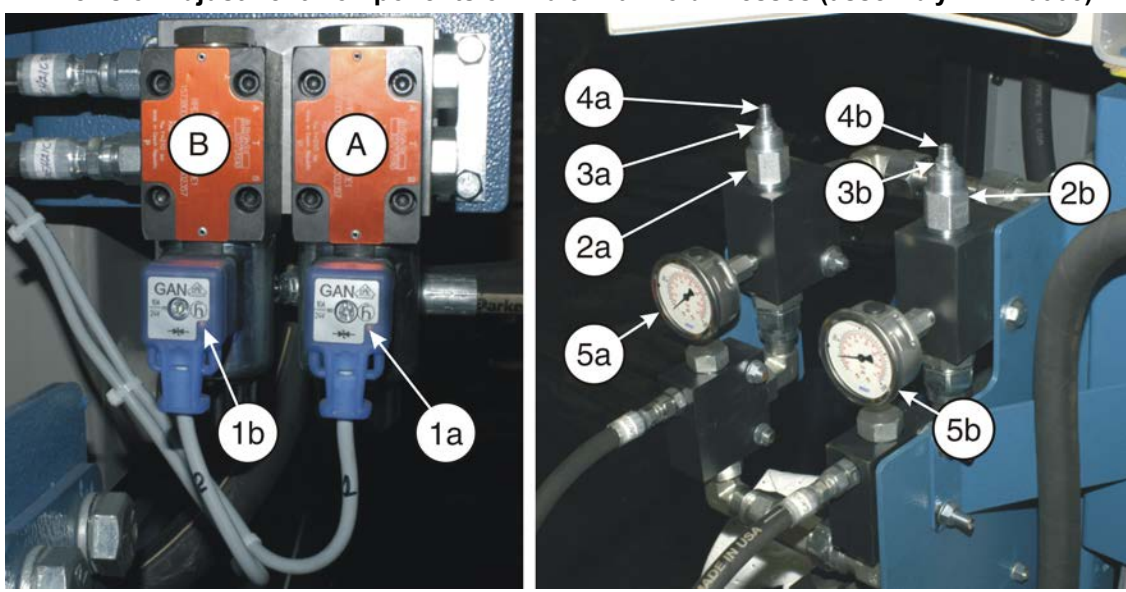
You adjust the pressures for Timers A and B on the relief valves associated with the electrically operated hydraulic valves VE100 and VE250 (see the figure below).

**Figure 2. RAM Command™ System Hydraulic Adjustment Components**

**Views of Adjustment Components on Single-manifold Presses (assembly AHT10065A)**



**Views of Adjustment Components on Multi-manifold Presses (assembly AHT10065)**



**Legend**

- A** Valve VE100 (electrically operated hydraulic valve for Timer A pressure).
- B** Valve VE250 (electrically operated hydraulic valve for Timer B pressure).
- 1a,1b** Light on electric connector. **Light on=**valve energized. **Light off=**valve de-energized. All "\_a" items are for the Timer A pressure adjustment. All "\_b" items are for the Timer B pressure adjustment.
- 2a,2b** Relief valve that must be adjusted for the factory pressure specified in [RAM Command™ Factory Specifications](#) or the customer-defined pressure.
- 3a,3b** Lock nut (9/16" hex)
- 4a,4b** Adjustment screw (5/32" Allen)
- 5a,5b** Pressure gauge connection point or pressure gauge. Read the pressure here during adjustment.



**NOTICE:** These adjustments are done with the machine in automatic operation.

- Do not use the maintenance key to set the machine to Maintenance mode.

Refer to [Figure 2, page 5](#). The lowest pressure adjustment is the relief pressure for valve A (VE100). This is the Timer A pressure. The adjustment components are those with "\_a" item numbers in [Figure 2, page 5](#). Adjust as follows:

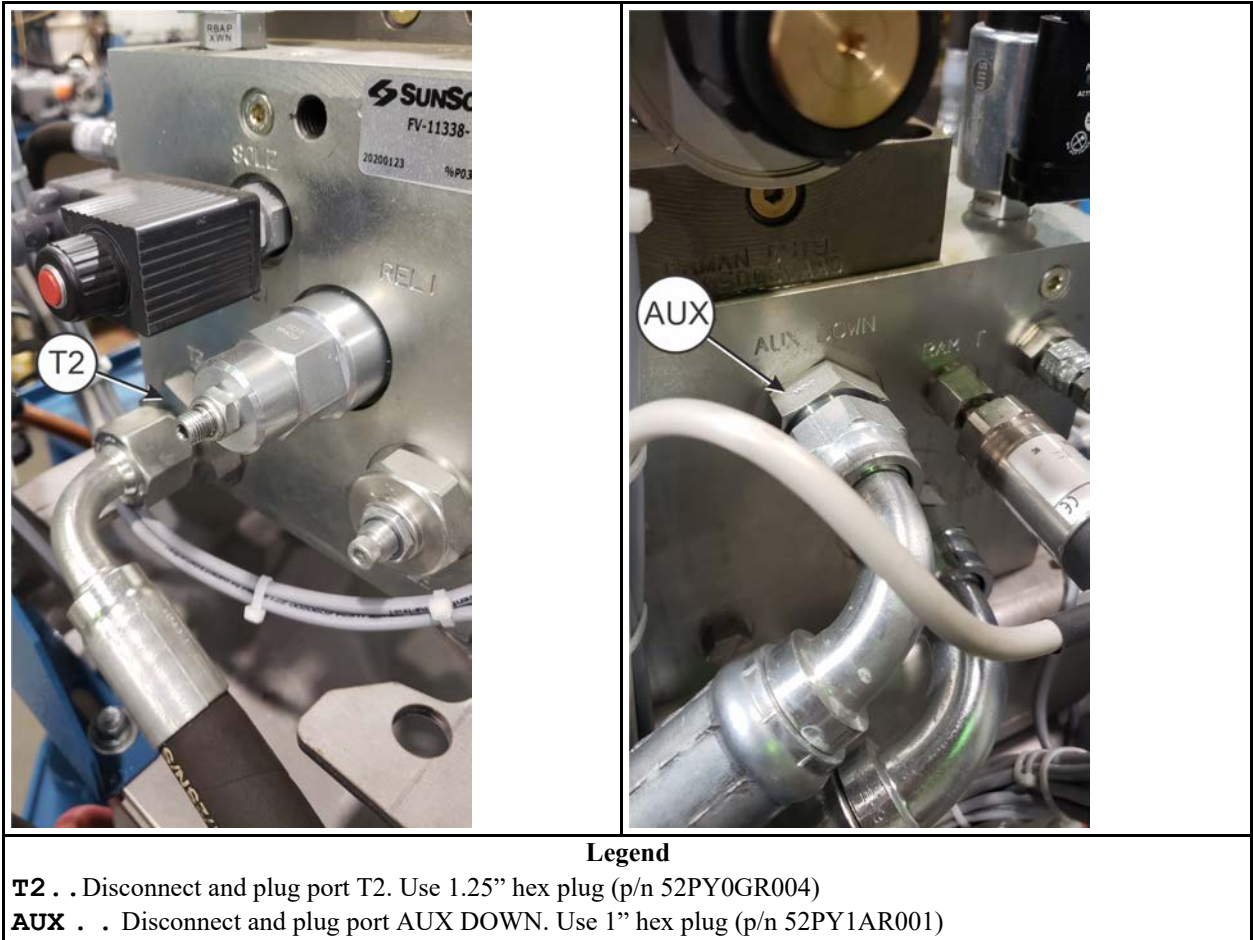
1. When the operator starts the adjustment press code, observe light 1a. Wait for the light to illuminate to indicate that valve VE100 is energized. This will occur when the descending ram clears the PXSM proximity switch (ram in container).
2. Loosen locknut 3a. Observe pressure gauge 5a and turn adjustment screw 4a until the gauge displays the pressure that you previously determined. If you cannot complete the adjustment in the 99 seconds that valve VE100 is de-energized (that the light is off), have the operator repeat the adjustment press code.
3. When the relief valve is correctly adjusted, tighten locknut 3a. The second lowest pressure adjustment is the relief pressure for valve B (VE250). This is the Timer B pressure. Adjust this pressure the same way as above. The adjustment components are those with "\_b" item numbers in [Figure 2, page 5](#).

## 6. Disconnect the RAM Command™ System for Ease of Troubleshooting

BNP1UA01.C07 0000278775 D.2 A.3 3/12/20 4:21 PM Released

If it is necessary to troubleshoot the press hydraulic system, it can help to isolate the RAM Command™ manifold from the rest of the system. This is done by installing plugs at two hydraulic line connection points on the main manifold. The plugs are available from the Milnor® Parts department. The plug locations and part numbers are given in the figure below.

**Figure 3. Plug Locations on the Main Manifold**

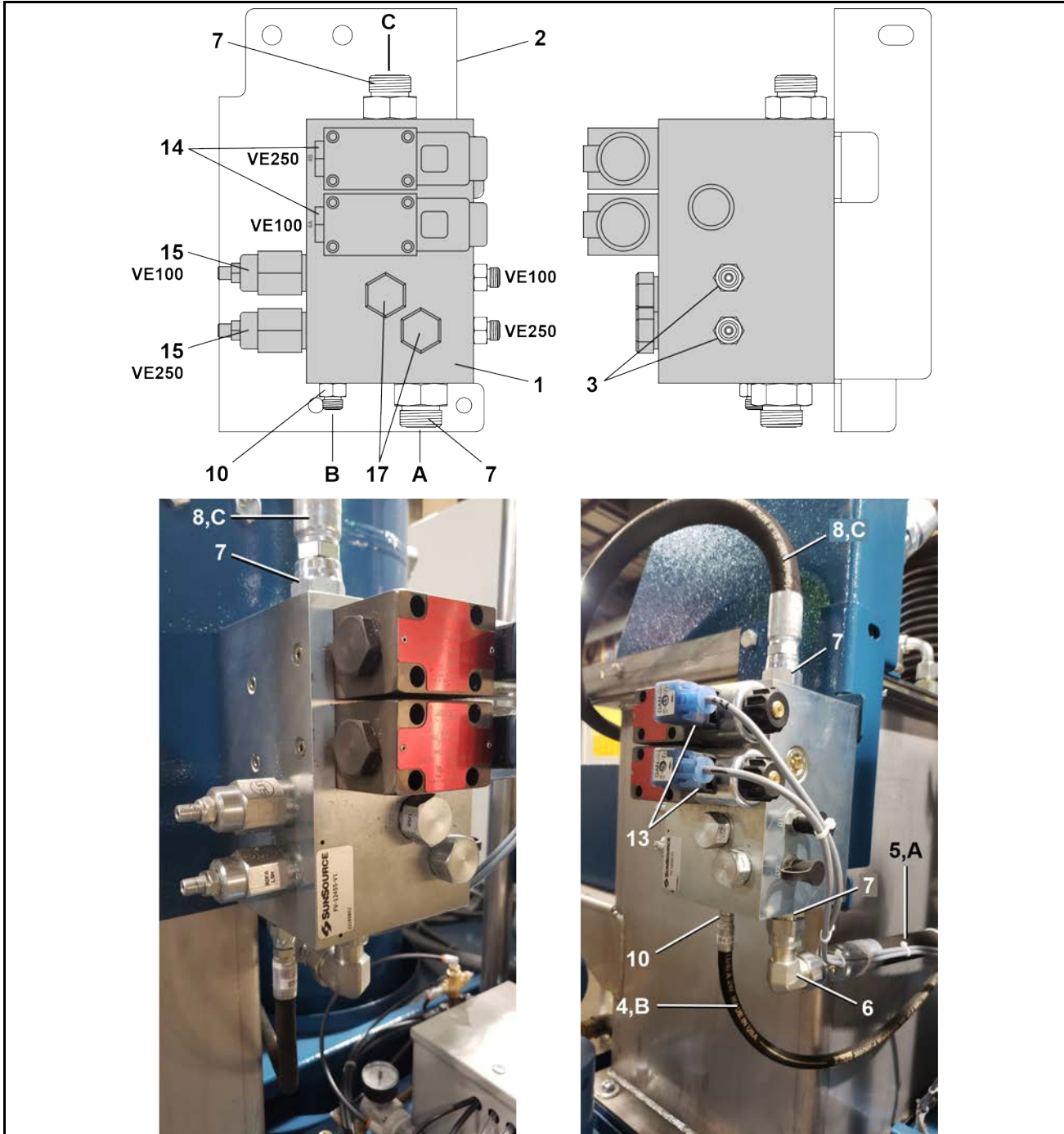


End of document: BNP1UA01

# Delicate Goods Option (Ram Command™ Ram Control)

MP1540, MPL640, MP1650, MPL556, MPL656, MP1A50

Figure 1. Delicate Goods Manifold



**Legend**

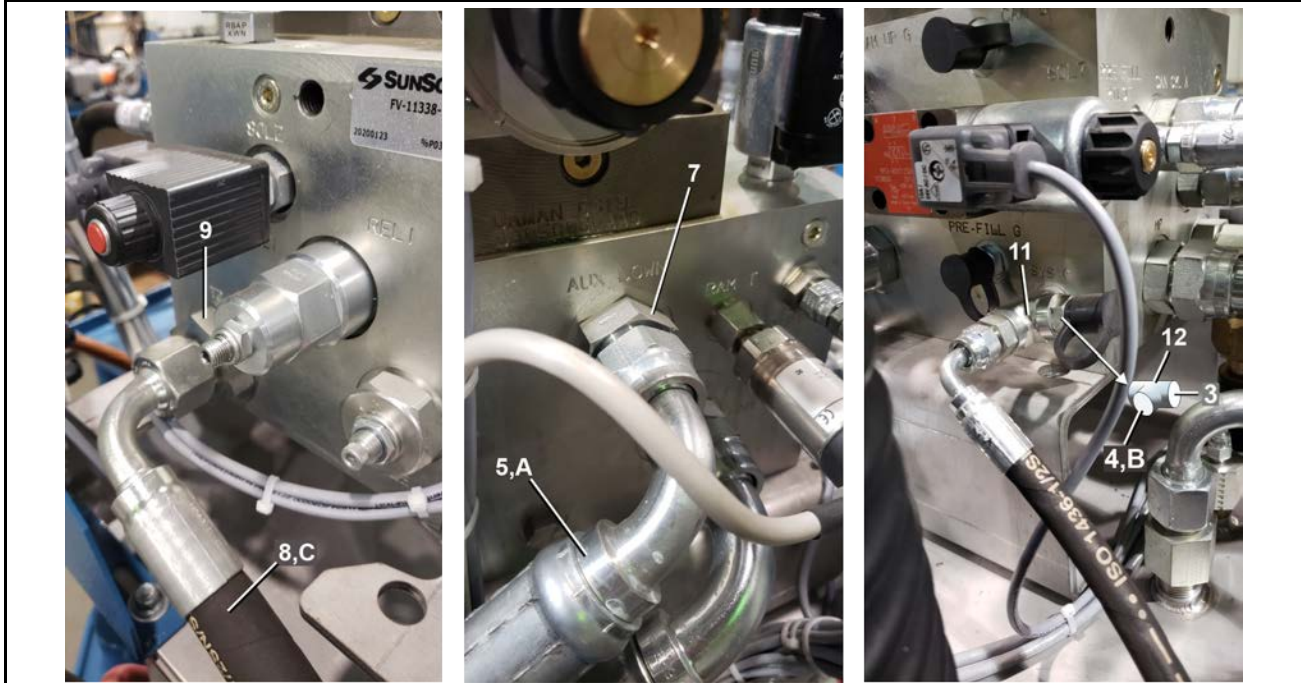
- A. . .** To AUX DOWN (Auxiliary Ram Down) on main manifold
- B. . .** System Pressure
- C. . .** To T2 (Drain)



# Delicate Goods Option (Ram Command™ Ram Control)

MP1540, MPL640, MP1650, MPL556, MPL656, MP1A50

Figure 2. Main Manifold Connections



**Legend**

- A . . . To AUX DOWN (Auxiliary Ram Down) on main manifold
- B . . . System Pressure
- C . . . To T2 (Drain)

Table 1. Parts List—Delicate Goods Option (Ram Command™ Ram Control)

Find the assembly for your machine and the letter shown in the "Item" column. The components for your machine will show this letter or the word "all" in the "Used In" column. The numbers shown in the "Item" column are those shown in the illustrations.

Used In	Item	Part Number	Description/Nomenclature	Comments
Reference Assemblies				
	A	AHT10065A	DELICATE GOODS ASSY FOR 96DH463 MANIFOLD	MP1540, MP1640 MP1650
	B	AHT10065B	DELICATE GOODS ASSY 96DH462A 96DH464	MPL556, MPL656, MP1A50
Components				
A,B	1	96DH481	MANIFOLD DELICATE GOODS SUN # FV 12455 V1 PPP	
all	2	07 10801	MANIFOLD BRKT	
all	3	52XY0KP001	TESTPORT QUICKCONN-MALE #PD361	
all	4	60EH21C48A	ASSY=HYDRAULIC HOSE 1/4"X48"LG	
all	5	60EH51C57B	HYDHOSE 3/4"STRFEMORSWX3/4"90FEMORSW=57"	
all	6	52ZJ00S006	TUBEFIT90EL3/4"#12 C6LO-S	
all	7	52ZC00S004	TUBESTRCON3/4X1"OR#12-16 F5OLO-S	
all	8	60EH50C60A	HYD.HOSE 3/4"+90FSWXFORSW=60"	
all	9	52ZC1ES004	TUBEFITSTRTHD 3/4"X1.25" #12-20 F5OLO-S	
all	10	52ZC0ES003	TUBEFITSTR1/4X3/8#4-6 F5OLO-S	

## Delicate Goods Option (Ram Command™ Ram Control)

3 of 3

MP1540, MPL640, MP1650, MPL556, MPL656, MP1A50

### Parts List—Delicate Goods Option (Ram Command™ Ram Control) (cont'd.)

Find the assembly for your machine and the letter shown in the "Item" column. The components for your machine will show this letter or the word "all" in the "Used In" column. The numbers shown in the "Item" column are those shown in the illustrations.				
Used In	Item	Part Number	Description/Nomenclature	Comments
all	12	52ZT00S005	TUBEFIT TEE 1/4" PARKER #4 R6LO-S	
all	13	12M348V9F	SOLE.CONN.6-48VDC/VAC 5M	
all	14	96RH712A02	DIRECTIONAL PILOT VALVE+SOL 24VDC	Part of item 1
all	15	96DH496	VALVE DIRECT RELIEF RDFA-LEN	Part of item 1
all	17	96DH498	VALVE CARTRIDGE SUN #LOFD XDN	Part of item 1

# Hydraulic Ram and Diaphragm

MP1540, MP1556, MP1640, MP1656, MP1A56  
MPL556, MPL640, MPL656

BMP220005/2022483A  
(1 / 8)



Pellerin Milnor Corporation  
P. O. Box 400, Kenner, LA 70063-0400

Litho in U.S.A.



**Note:** Install Diaphragm Safety Bar before servicing. See BIUUUS27 - "Safety for Service Personnel".

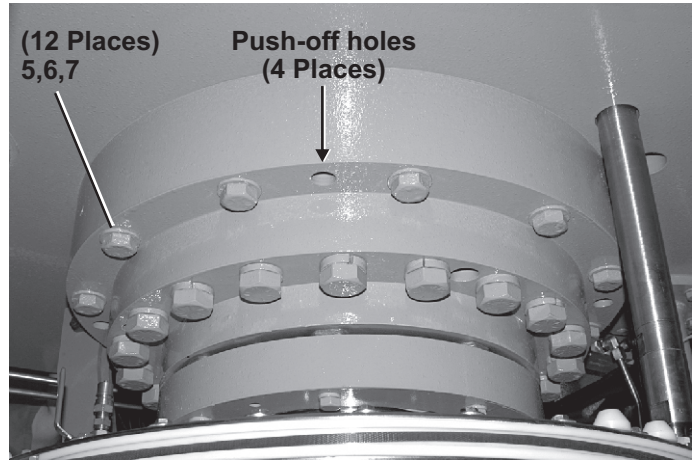
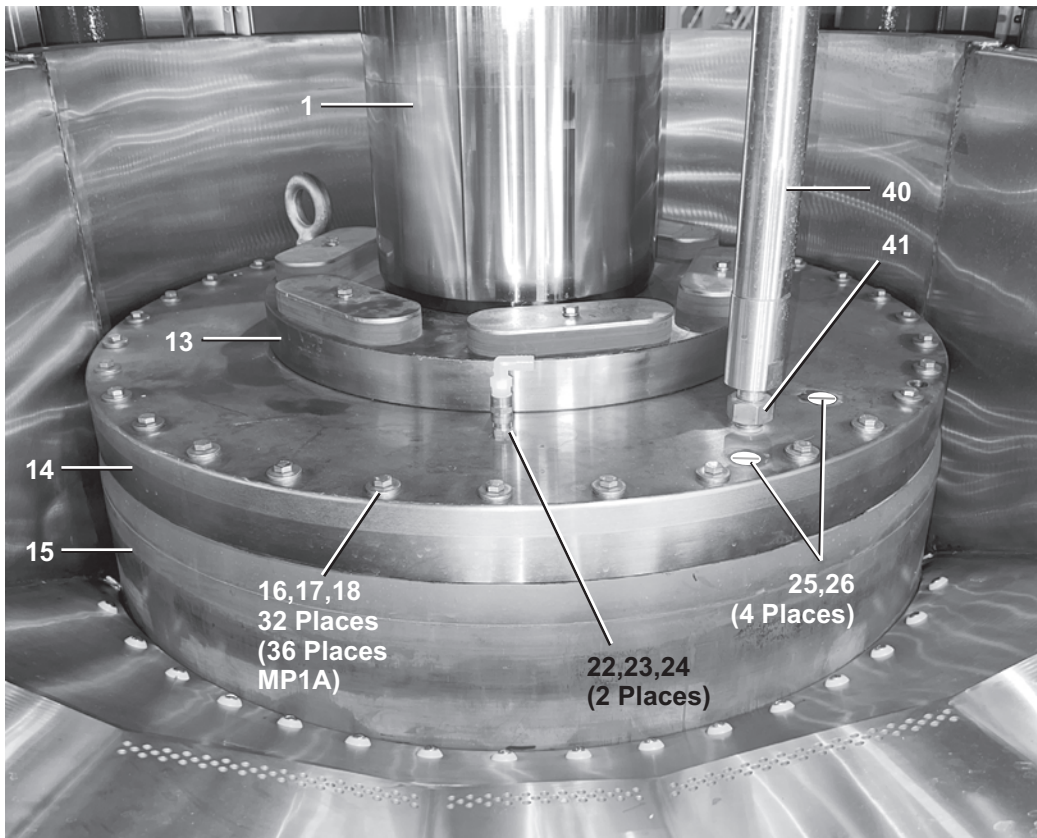


Figure 1: Hydraulic Ram to Upper Press Weldment (See Detail A.)



# Hydraulic Ram and Diaphragm

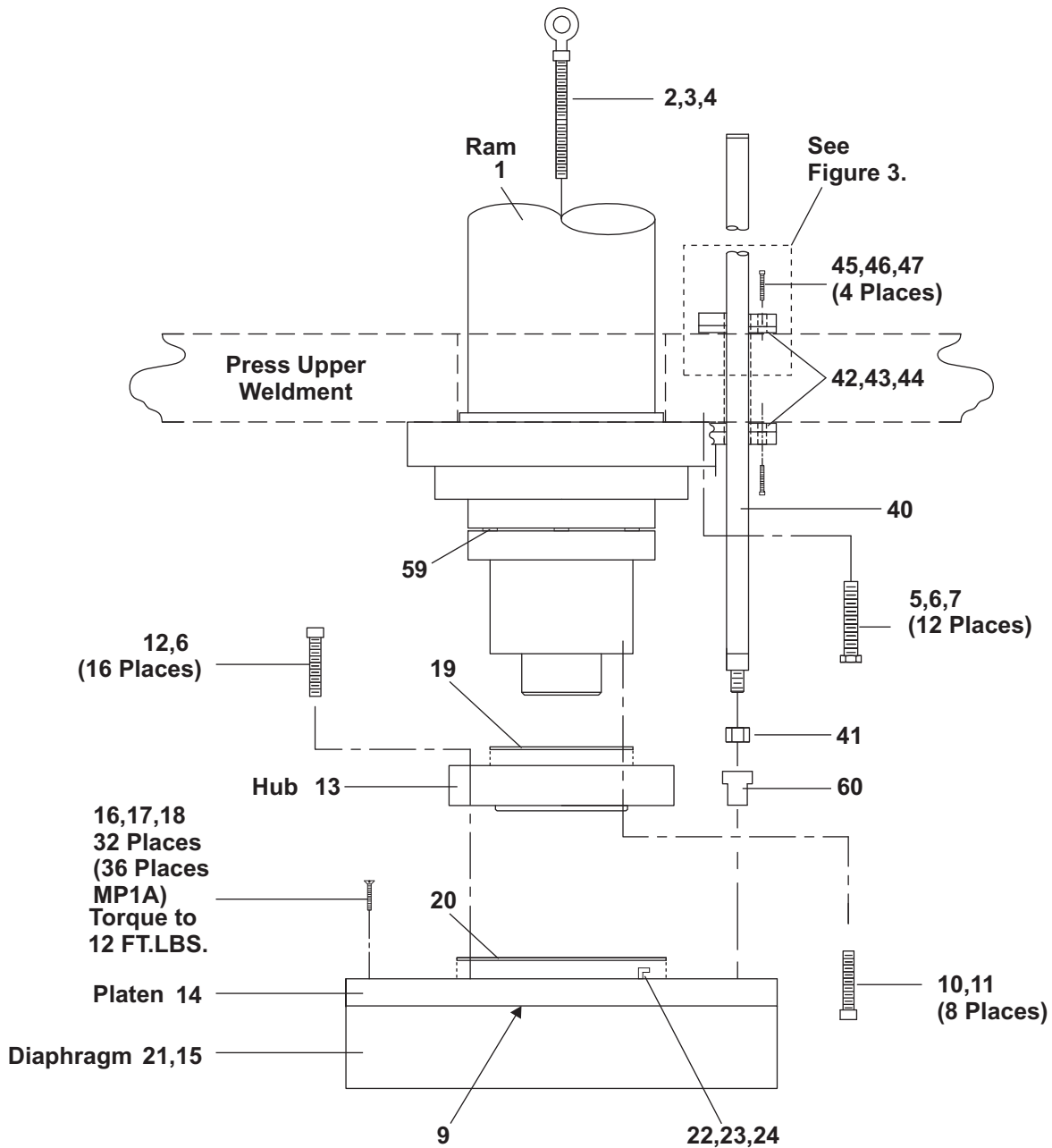
MP1540, MP1556, MP1640, MP1656, MP1A56  
MPL556, MPL640, MPL656

BMP220005/2022483A  
(2 / 8)



Pellerin Milnor Corporation  
P. O. Box 400, Kenner, LA 70063-0400

Litho in U.S.A.



Apply Loctite Gasket Eliminator to the metal ring of the diaphragm that touches the platen, before mating these components.

**Detail A**

# Hydraulic Ram and Diaphragm

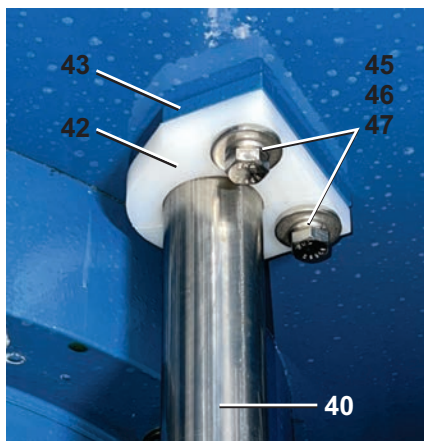
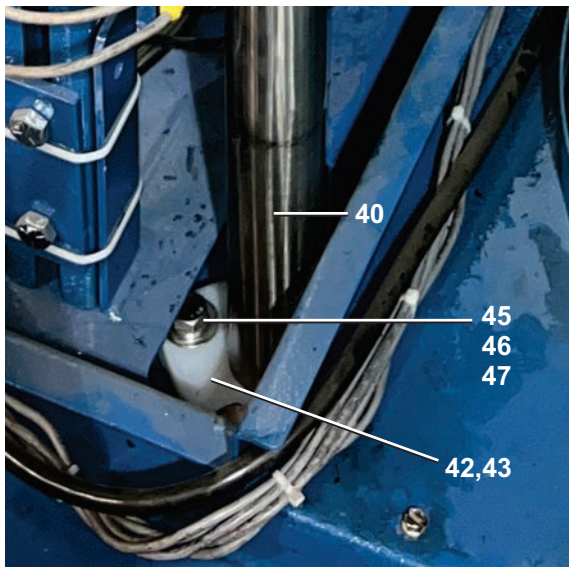
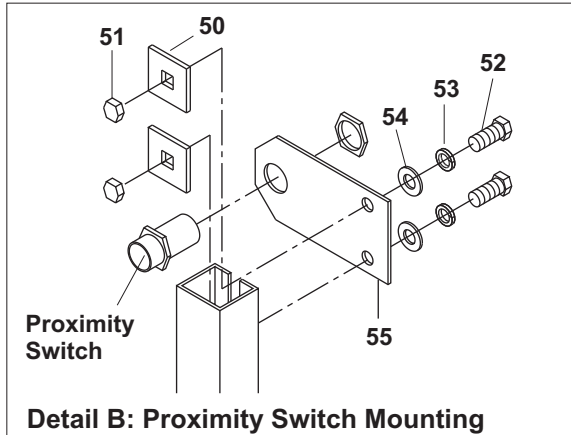
MP1540, MP1556, MP1640, MP1656, MP1A56  
MPL556, MPL640, MPL656

BMP220005/2022483A  
(3 / 8)



Pellerin Milnor Corporation  
P. O. Box 400, Kenner, LA 70063-0400

Litho in U.S.A.



# Hydraulic Ram and Diaphragm

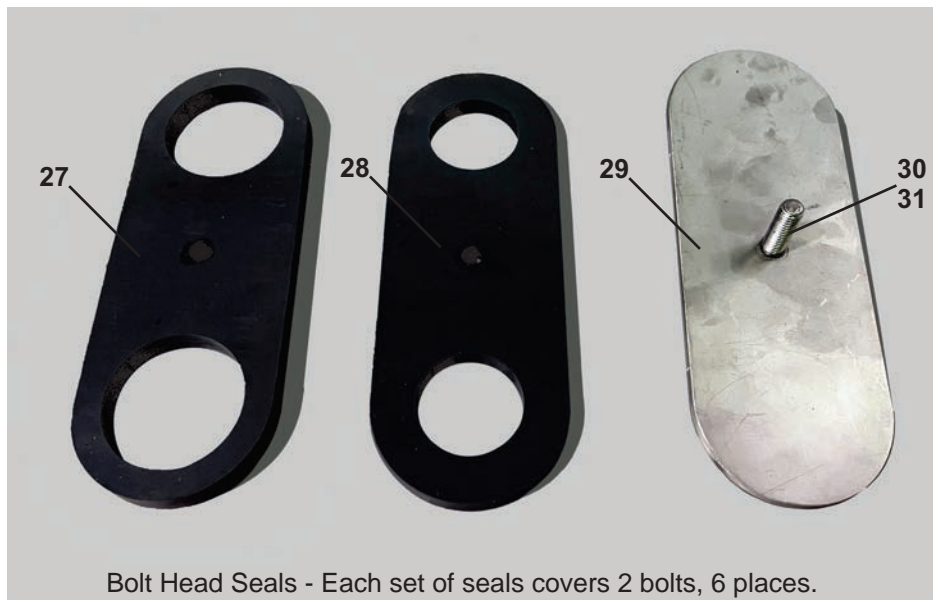
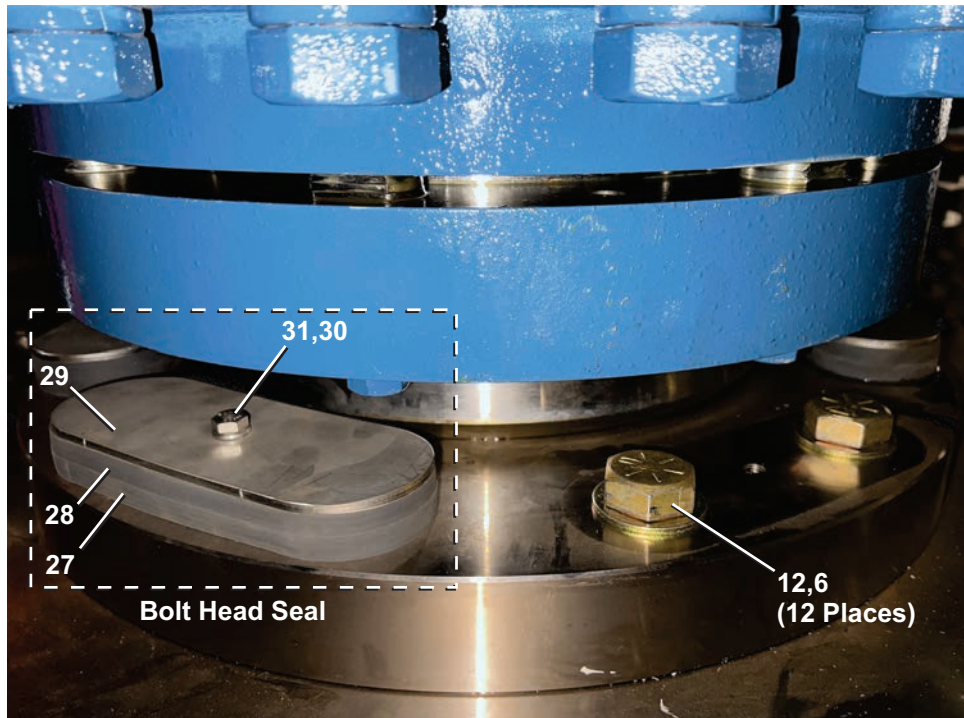
MP1540, MP1556, MP1640, MP1656, MP1A56  
MPL556, MPL640, MPL656

BMP220005/2022483A  
(4 / 8)



Pellerin Milnor Corporation  
P. O. Box 400, Kenner, LA 70063-0400

Litho in U.S.A.



# Hydraulic Ram and Diaphragm

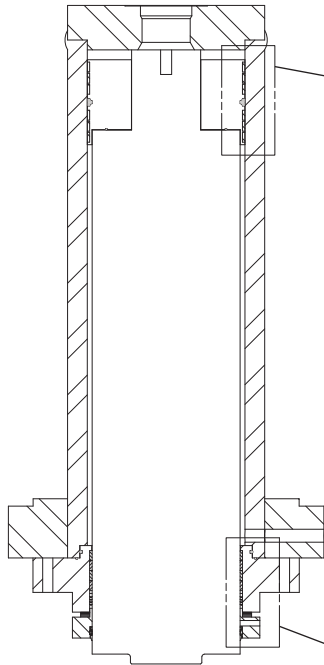
MP1540, MP1556, MP1640, MP1656, MP1A56  
MPL556, MPL640, MPL656

BMP220005/2022483A  
(5 / 8)

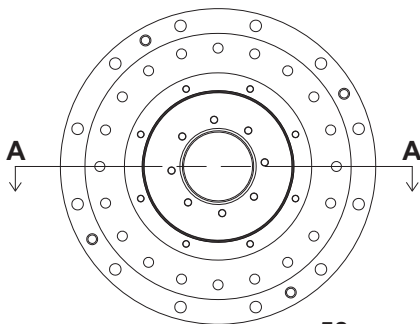


Pellerin Milnor Corporation  
P. O. Box 400, Kenner, LA 70063-0400

Litho in U.S.A.



**View A-A**

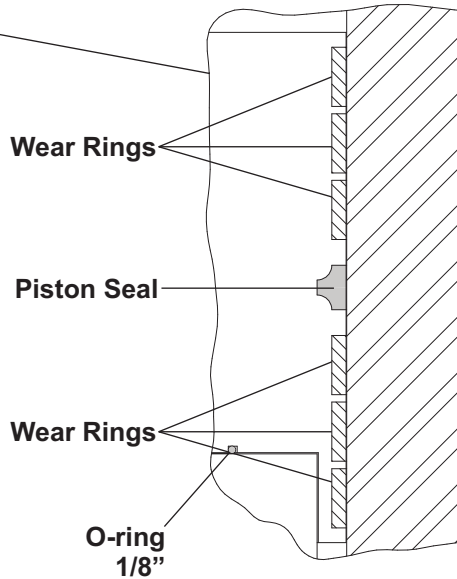


58 Rod Seal Kit  
(sold separately and included  
in Seal Kit)

59 Shims  
(as required  
to tighten  
seals)

57 Seal Kit

## Contents of Ram Seal Kit

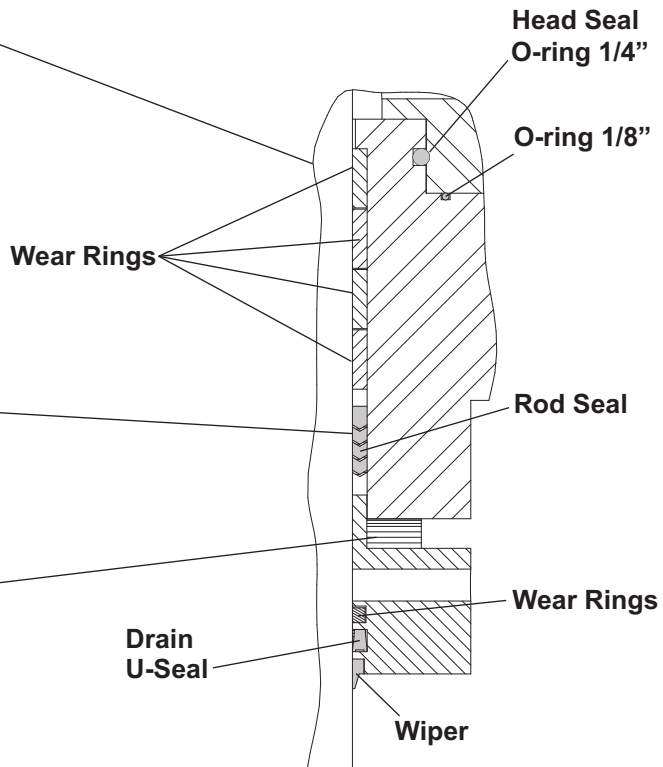


Wear Rings

Piston Seal

Wear Rings

O-ring  
1/8"



Head Seal  
O-ring 1/4"

O-ring 1/8"

Wear Rings

Rod Seal

Wear Rings

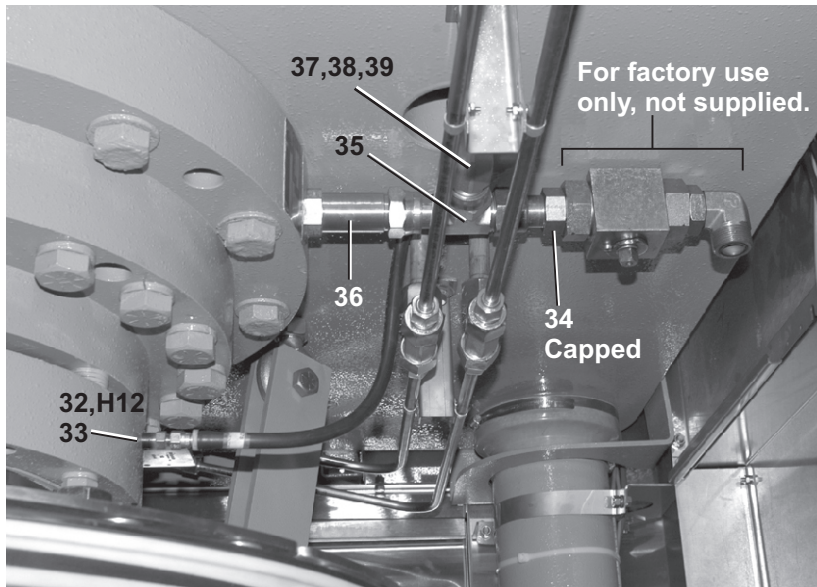
Drain  
U-Seal

Wiper

# Hydraulic Ram and Diaphragm

**MP1540, MP1556, MP1640, MP1656, MP1A56  
MPL556, MPL640, MPL656**

**BMP220005/2022483A  
(6 / 8)**



## Parts List

Find the correct assembly first, then find the needed components. The item letters (A, B, C, etc.) assigned to assemblies are referred to in the "Used In" column to identify which components belong to an assembly. The item numbers (1, 2, 3, etc.) assigned to components relate the parts list to the illustration.

Used In	Item	Part Number	Description	Comments
-----MODEL REFERENCES-----				
	A	MP1540B	MP1540 40 BAR PRESS BASE MODEL	MP1540, Mp1550
	B	MP1556B	MP1556 56 BAR PRESS BASE MODULE	MP1550, Mp1556 MPL556
	C	MP1640B	MP1640 40 BAR PRESS BASE MODULE	MP1640, MPL640
	D	MP1656B	MP1656 56 BAR PRESS BASE MODEL	MP1650, Mp1656, MPL650, MPL656
	E	MP1A56B	MP1A56 56BAR BASE MODULE	MP1A50, MP1A56
-----ASSEMBLY REFERENCES-----				
		GHC10004	DIAPHRAGM/PLATEN INST-MP1556	USED IN A,B
		GHC10002	DIAPHRAGM/PLATEN INST-MP16XX	USED IN C,D
		GHC10003	DIAPHRAGM/PLATEN INST-MP1AXXE	USED IN E
	F	A80RP002	MEMBRANE MAST 1-8UN BASE	USED IN ABCD
	G	A80RP002A	DIAPHRAGM PROX.SW ASSY MP15/16	USED IN ABCD
	H	A80RP003	MEMBRANE MAST-MPIA	USED IN E
-----COMPONENTS-----				
ABC	1	27E161439A	RAM 14"BORE X 39"STK W/SIDEPORT	
D	1	27E161639A	RAM 16"BORE X 39"STK W/SIDEPORT	
E	1	27E161849A	RAM 18.50"BOREX49"STK W/SIDEPORT	
all	2	17A122	EYE NUT 1.25-7 GAL. STEEL	



# Hydraulic Ram and Diaphragm

**MP1540, MP1556, MP1640, MP1656, MP1A56  
MPL556, MPL640, MPL656**

**BMP220005/2022483A  
(7 / 8)**

## Parts List

Find the correct assembly first, then find the needed components. The item letters (A, B, C, etc.) assigned to assemblies are referred to in the "Used In" column to identify which components belong to an assembly. The item numbers (1, 2, 3, etc.) assigned to components relate the parts list to the illustration.

Used In	Item	Part Number	Description	Comments
all	3	17R125A14K	1-1/4-7X14 STUD B7 BLK.	
all	4	15G260	HXNUT 1+1/4-7UNC2B BLK GR2	
ABC	5	X7 10504	RAM BOLT 1-14X5"CHASED THREAD	
DE	5	X7 10505	RAM BOLT 1-14X7"CHASED THREAD	
all	6	15U393	FLTWASH 1" HARD ASTM F436	
all	7	20C510	LOCTITE MOLYPASTE#51048	
all	8	15Q125A	GRUB SCREW NYLON 1-8X5/8	
all	9	20C013B	GASKET ELIMINATOR LOC.#51580	
ABCD	10	15K234B	HXCAPSCR 3/4-16UNFX3+1/2" Gr8	
E	10	15K234C	HXCAPSCR 3/4-16UNFX5+1/2" GR8	
all	11	15U321H	FLTWASH 3/4 HARD ASTM F436	
ABCD	12	15K303	HEXCAPSCR 1-14X4 GR8 ZINC	
E	12	15K300A	HEXCAPSCR 1-14X5.5 GR8 ZINC 14TPI	
ABCD	13	X7 10040C	PLATEN HUB MACHINED-47BAR	
E	13	X7 10034	PLATEN HUB MACHINE-48"MEMBRANE	
AB	14	X7 10068	MEMBRANE PLATEN 900MM	
CD	14	X7 10052	MEMBRANE PLATEN SSPRESS	
E	14	X7 10035	PLATEN SSPRESS-48" MEMBRANE	
AB	15	ACW10012A	GUM RUBBER 11PCS SET-36MEM	
CD	15	ACW10010A	GUM RUBBER 11PCS SET-40MEM	
E	15	ACW10011A	GUM RUBBER 11PCS SET-48MEM	
ABCD	16	15K136S	HEXCAPSCR 3/8-16 X 3.5 SS18-8	
E	16	15K140T	HEXCAPSCR 3/8-16 X 4.75 SS 18-	
all	17	15U243S	FLTWASHER 7/8ODX33/64IDX16GA 1	
all	18	20C007G	THDLOCKSEAL LCT24231 RMUBL50CC	
all	19	60C180V	ORING 11"IDX1/8CS V70D#276	
ABCD	20	60C193A	ORING 22"ID 1/4CS BUNA70-471	
E	20	60C193B	ORING 26"ID 1/4CS BUNA70-475	
AB	21	ACW10003R	MEMBRANE/RING ASSY 900MM SBR	
CD	21	ACW10001R	MEMBRANE/RING ASSY 40" SBR	
E	21	ACW10002	MEMBRANE/RING ASSY 48"	
all	22	52AY0GR007	MPADPT.3/8"XOR#6-3/8F50F-SS316	
all	23	5SCC0GBE	NPT COUP 3/8 BRASS 125# 103A-C	
all	24	51E509NA	ELB90 HOSEADPT 1/2HX3/8T NYL	
all	25	X7 10059	PLUG-PLATEN LIFTING EYE BOLT	
all	26	60C112	ORING 5/8IDX3/32CS BUNA70 #114	
ABCD	27	07 10041	HUB BOLT HEAD SEAL-.50 THK	
E	27	07 10041B	MP1AXX HUB BOLT HEAD SEAL-.50 THK	
ABCD	28	07 10041A	HUB BOLT HEAD SEAL-.38 THK	
E	28	07 10041C	MP1AXX HUB BOLT HEAD SEAL-.38 THK	
ABCD	29	07 10042	PLATEN/HUB BOLT HEAD SEAL PLATE	

# Hydraulic Ram and Diaphragm

**MP1540, MP1556, MP1640, MP1656, MP1A56  
MPL556, MPL640, MPL656**

**BMP220005/2022483A  
(8 / 8)**

## Parts List

Find the correct assembly first, then find the needed components. The item letters (A, B, C, etc.) assigned to assemblies are referred to in the "Used In" column to identify which components belong to an assembly. The item numbers (1, 2, 3, etc.) assigned to components relate the parts list to the illustration.

Used In	Item	Part Number	Description	Comments
E	29	07 10042A	MP1AXX PLATEN/HUB BOLT HEAD SEAL PLATE	
all	30	15K112	HXCAPSCR 3/8-16X1+1/2 SS18-8	
all	31	15U260	LOCKWASHER MEDIUM 3/8 SS18-8	
ABCD	32	60E076B078	HOSE ASSY 1/4"X78"LG+ENDS	
E	32	60E076B108	HOSE ASSY 1/4"X108"LG+ENDS	
all	33	52AY0ER008	STR.1/4"MJIC X MP #2404-4-4	
all	34	52ZN1AS006	TUBEFIT NUT+CAP #16 FNL-SS	
all	35	52ZT1AS005	TUBEFIT TEE 1" PARKER#16 R6LO-SS	
all	36	52ZC1AS003	TUBEFITLGSTRTHDCON 1"#16 FF5OLO-SS	
all	37	52ZJ1AS004	TUBEFIT90ELSWNT1" #16 C6LO-SS	
all	38	87Z1X095	TUBE 1"ODX.095WL 304SMLS *	
all	39	52ZN1AS001	TUBEFIT 1"NUT #16-BL-S	
FG	40	X7 10254A	DIAPH ROD 77"LG MACHINED	
H	40	X7 10383A	MP1A50 DIAPH GUIDE ROD 92.38"LG WLMT	
all	41	15G250B	HEXNUT 1-8UNC2B BRASS	
all	42	X7 10843	DIAPHRAGM ROD UHMW BUSHING	
all	43	07 10844	ROD BUSHING BASE PLATE	
all	44	27B34010SS	SPACERROLL .51ID.625L.062T SS	
all	45	15K162	HXCAPSCR 1/2-13UNC2AX1.5 GR5 P	
all	46	15U285	FLATWASHER 1/2 STD COMM SS18-8	
all	47	15U300	LOKWASHER REGULAR 1/2 ZINC PLT	
all	48	07 10258A	DIAPHRAGM PROX.SW POST-MP1A03	
all	49	07 10264	DIAPH POST MTG PLATE	
all	50	07 10265G	NUT RETAINER-PROX.SW PLATE	
all	51	17N070AP	RETAIN NUT#S10222-27	
all	52	15K095	HXCPSCR 3/8-16UNC2AX1 GR5 ZINC	
all	53	15U255	LOCKWASHER MEDIUM 3/8 ZINCPL	
all	54	15U240	FLATWASHER(USS STD) 3/8" ZNC P	
all	55	07 10265	DIAPHRAGM PROX.SW PLATE	
all	56	07 10265A	DIAPHRAGM PROX.SW PL 2"W	
ABC	57	27E161439C	CRC SEAL KIT #SK-2140	
D	57	27E161639C	CRC SEAL KIT FOR REBUILT HSI 27E161639	
E	57	27E161749C	CRC SEAL KIT #SK-2305	
ABC	58	27E167022A	FAB VEE PACK 13 INCH ID X.5 INCH FOR 27E161439	
D	58	27E167032A	FAB VEE PACK 15 INCH ID X .5 INCH FOR 27E161639	
E	58	27E167736A	FAB VEE PACK 15.5 INCH ID X .5 INCH FOR 27E161749	
all	59	07 10237	SHIM=RAM SEAL-.050	
BCD	60	X7 10274	DIAPHRAGM ROD END ADAPTER	

# Load Chute Scupper with Adjustable Seal

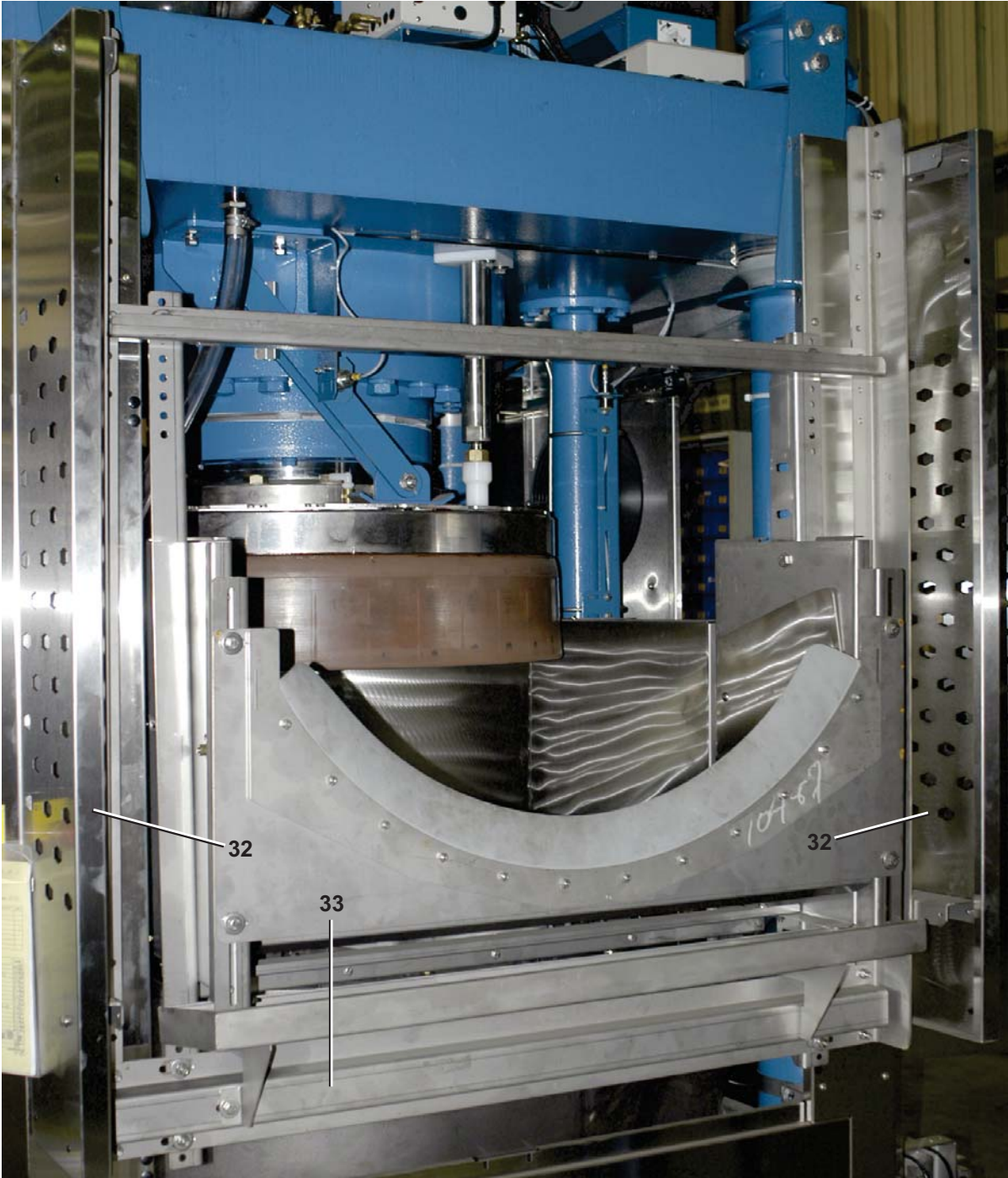
MP1540, MP1556, MP1640, MP1656, MP1A50  
MPL556, MPL640, MPL656

BMP160024/2020275A  
(1 / 5)



Pellerin Milnor Corporation  
P. O. Box 400, Kenner, LA 70063-0400

Litho in U.S.A.



# Load Chute Scupper with Adjustable Seal

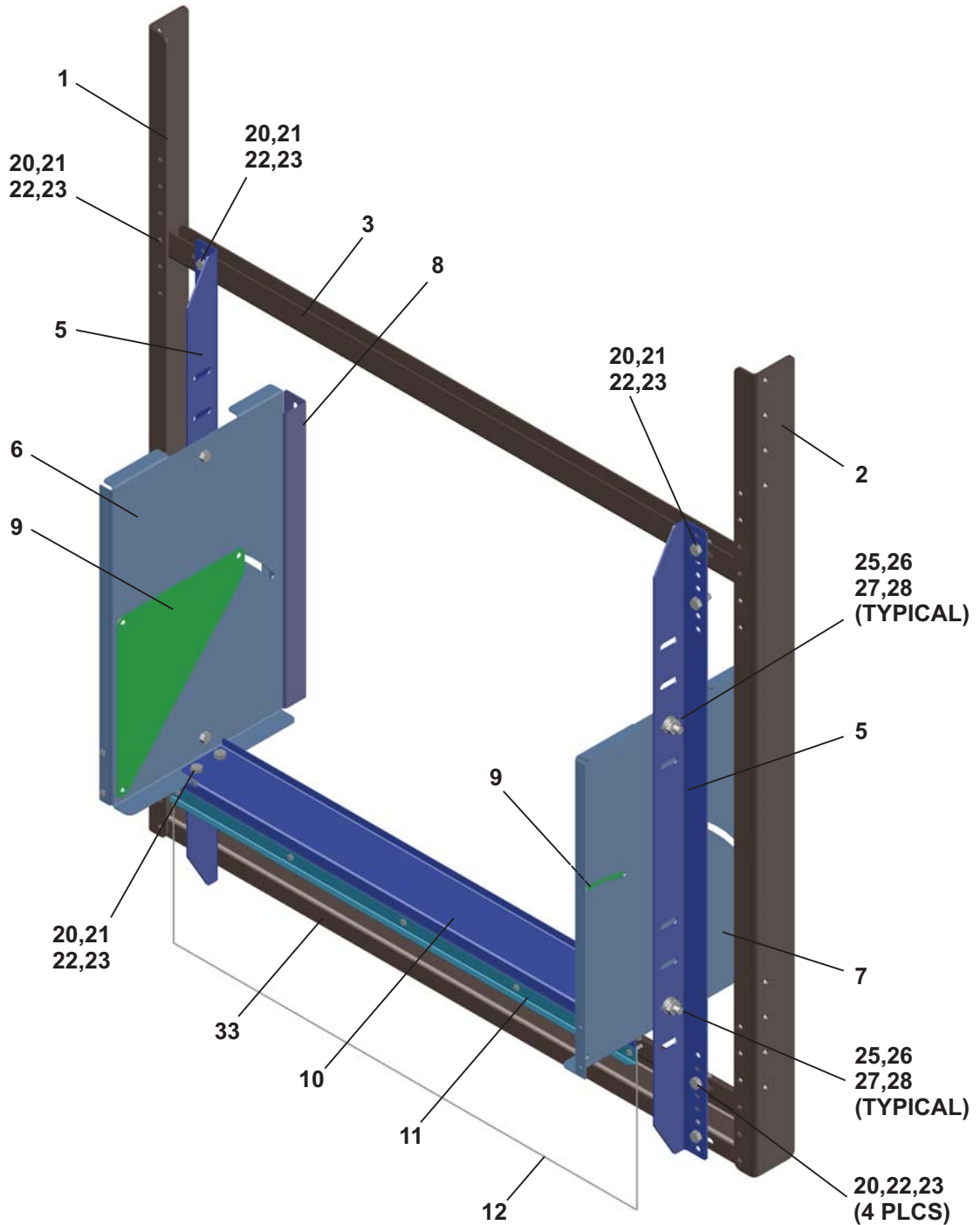
MP1540, MP1556, MP1640, MP1656, MP1A50  
MPL556, MPL640, MPL656

BMP160024/2020275A  
(2 / 5)



Pellerin Milnor Corporation  
P. O. Box 400, Kenner, LA 70063-0400

Litho in U.S.A.



**Load Chute Scupper Frame**

# Load Chute Scupper with Adjustable Seal

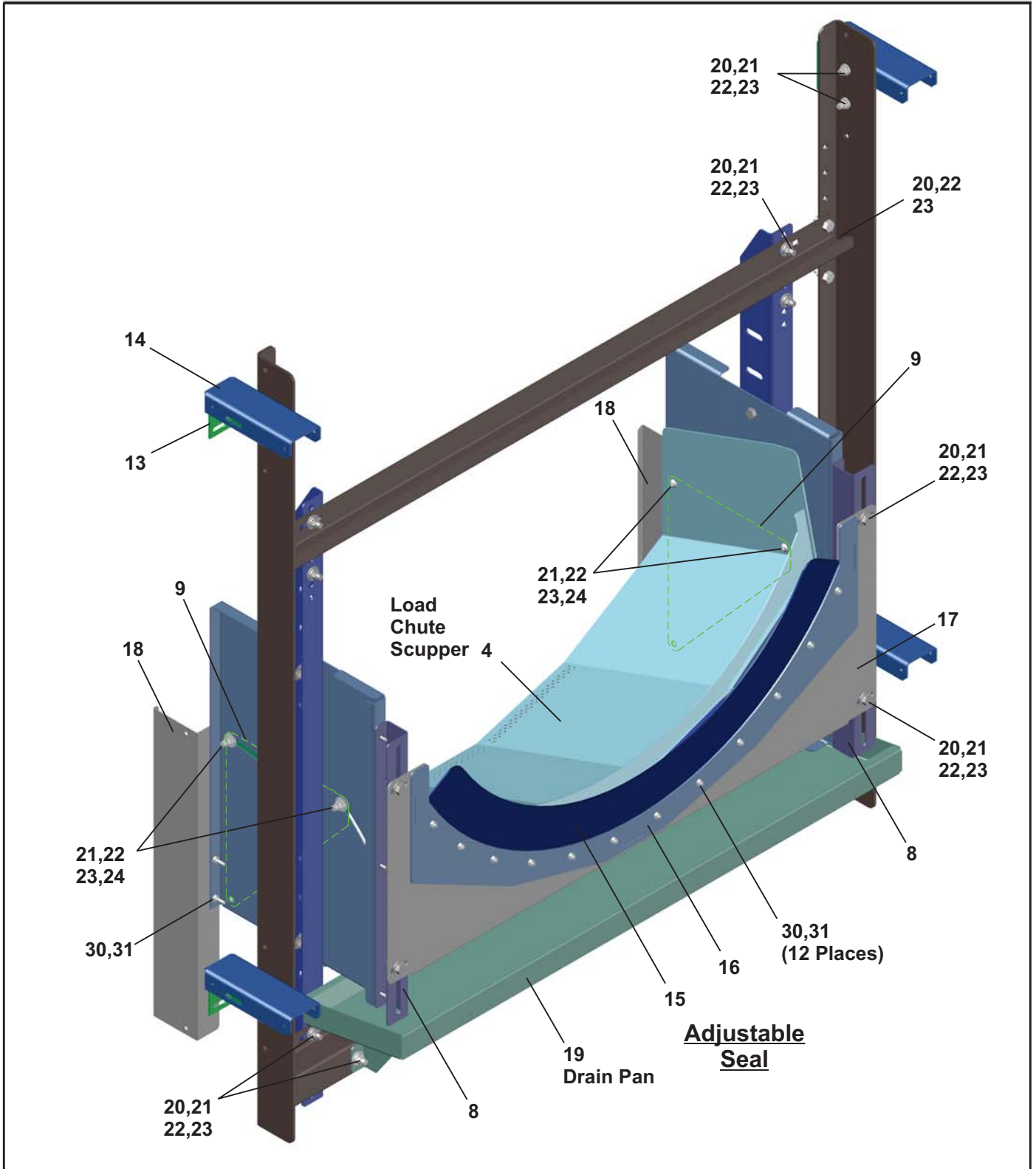
MP1540, MP1556, MP1640, MP1656, MP1A50  
MPL556, MPL640, MPL656

BMP160024/2020275A  
(3 / 5)



Pellerin Milnor Corporation  
P. O. Box 400, Kenner, LA 70063-0400

Litho in U.S.A.



# Load Chute Scupper with Adjustable Seal

**MP1540, MP1556, MP1640, MP1656, MP1A50  
MPL556, MPL640, MPL656**

**BMP160024/2020275A  
(4 / 5)**

## Parts List—Scupper Load Chute

Find the correct assembly first, then find the needed components. The item letters (A, B, C, etc.) assigned to assemblies are referred to in the "Used In" column to identify which components belong to an assembly. The item numbers (1, 2, 3, etc.) assigned to components relate the parts list to the illustration.

Used In	Item	Part Number	Description	Comments
			-----ASSEMBLIES-----	
	A	ACS10009A	ENTRY CHUTE W/ADJUSTABLE SEAL-MP16XX	
			-----COMPONENTS-----	
all	1	07 10328	CHUTE DRAIN FRAME-RIGHT	
all	2	07 10328A	CHUTE DRAIN FRAME-LEFT	
all	3	07 10478	ENTRY CHUTE 40W TOP CHAN	
all	4	W7 10703	OUTSIDE LOADCHUTE WLMT-40W	
all	5	07 10498	ENTRY CHUTE MTG ANGLE-MP16XX	
all	6	07 10458	ENTRY CHUTE MTG BRKT-RT	
all	7	07 10458A	ENTRY CHUTE MTG BRKT-LF	
all	8	07 10708	LOADCHUTE SEAL MTG BRKT	
all	9	07 10460	CHUTE ANGLE ADJ PLATE	
all	10	07 10489	PLASTIC SHEET MTG ANGLE-40W	
all	11	07 10332	PLASTIC SHEET MTG STRIP	
all	12	54C241CP	PLASTIC SHT .080X24" EA.=1FT	
all	13	07 10015	LDCHUTE MOUNTING BRKT-SSPRESS	
all	14	07 10017	LOADCHUTE GUARD MTG BRKT	
all	15	07 10486	LOADCHUTE SPLASH GUARD	
all	16	07 10487	ENTRY CHUTE 40W END PLATE	
all	17	07 10707	LOADCHUTE SEAL MTG PANEL	
all	18	07 10684	LOAD CHUTE SIDE PANNEL	
all	19	W7 10706	LDCHUTE DRAIN PAN WLMT	
all	20	15K086	HXCAPSCR 3/8-16NCX3/4 SS18-8	
all	21	15U245A	FLTWASH 25/64IDX1.25ODX3/32 S/	
all	22	15U260	LOCKWASHER MEDIUM 3/8 SS18-8	
all	23	15G206	HEXNUT 3/8-16 UNC2 SS 18-8	
all	24	15K083V	BUTSOKCAPSCR 3/8-16X3/4 SS18-8	
all	25	15K153	HXCAPSCR 1/2 -13 X 1 +1/4 SS	
all	26	15U310S	FLATWASH-SS .53 X 1.37 .187T	
all	27	15U310	LOKWASHER REGULAR 1/2 SS18-8	
all	28	15G234B	HEXNUT 1/2-13UNC2B BRASS	

# Load Chute Scupper with Adjustable Seal

**MP1540, MP1556, MP1640, MP1656, MP1A50  
MPL556, MPL640, MPL656**

**BMP160024/2020275A  
(5 / 5)**

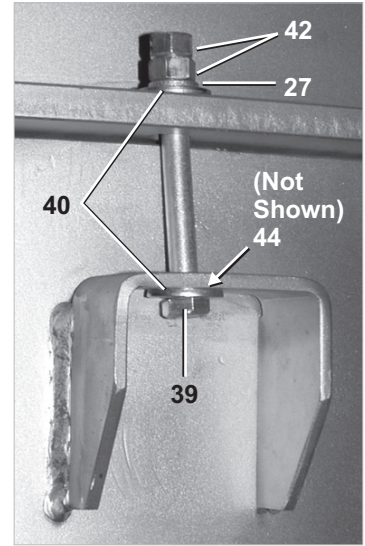
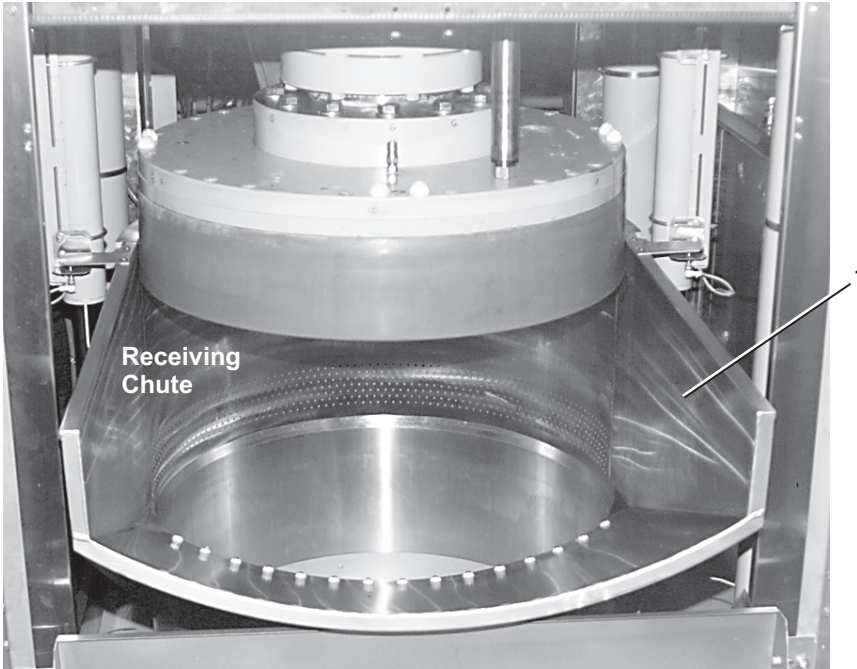
## Parts List—Scupper Load Chute

Find the correct assembly first, then find the needed components. The item letters (A, B, C, etc.) assigned to assemblies are referred to in the "Used In" column to identify which components belong to an assembly. The item numbers (1, 2, 3, etc.) assigned to components relate the parts list to the illustration.

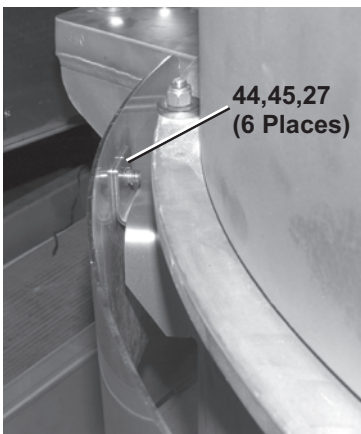
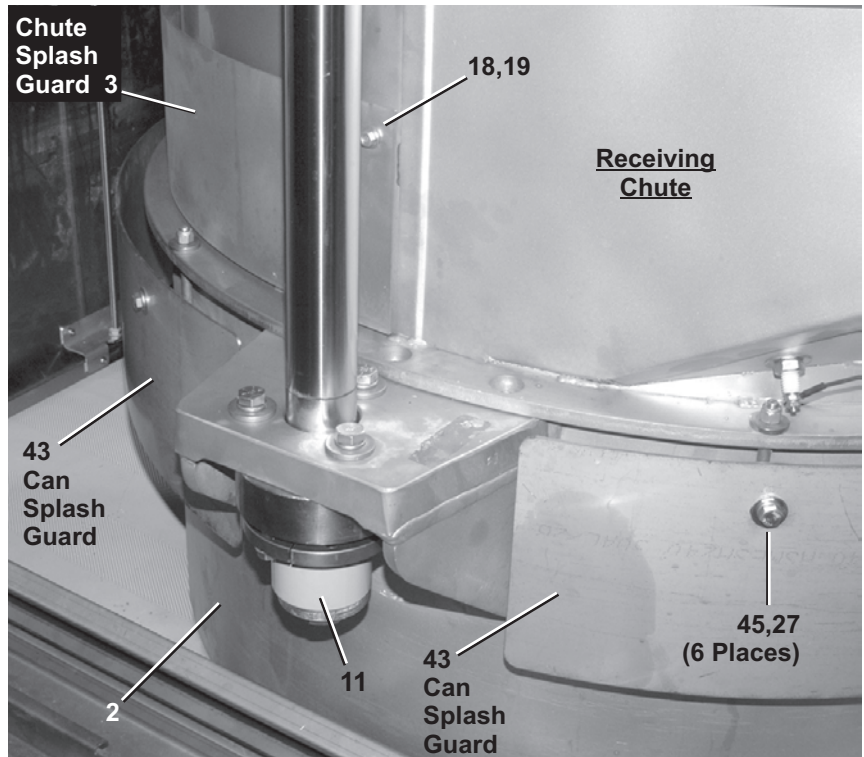
Used In	Item	Part Number	Description	Comments
all	29	15U285	FLATWASHER 1/2 STD COMM SS18-8	
all	30	15K041S	HEXCAPSCR 1/4-20UNC2AX1 SS18-8	
all	31	15G164NE	HEXLOKNUT NYL 1/4-20 UNC2A SS	
all	32	07 10018	LOADCHUTE GUARD 7632	
all	33	07 10469	ENTRY CHUTE 40W SUPPORT CHAN	

# Receiving Chute and Can

MP1540, MP1566, MP1640, MP1656, MP1A50  
MPL566, MPL640, MPL656



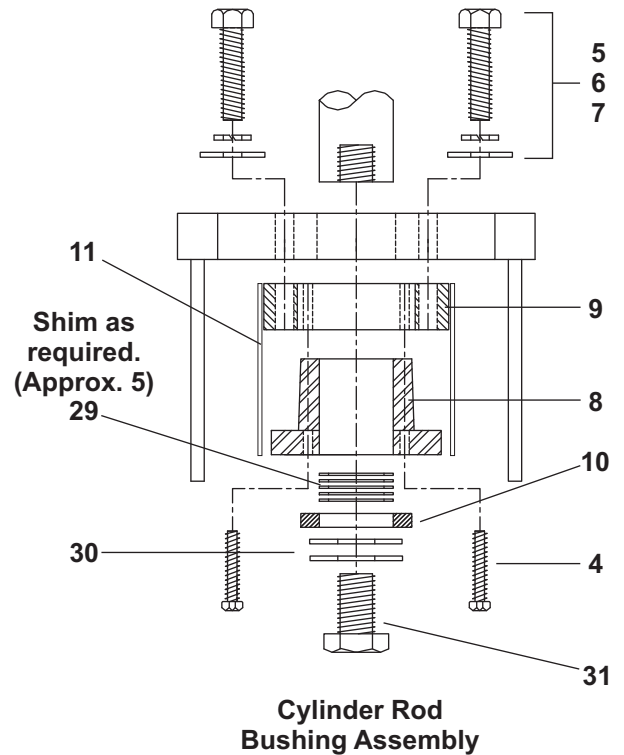
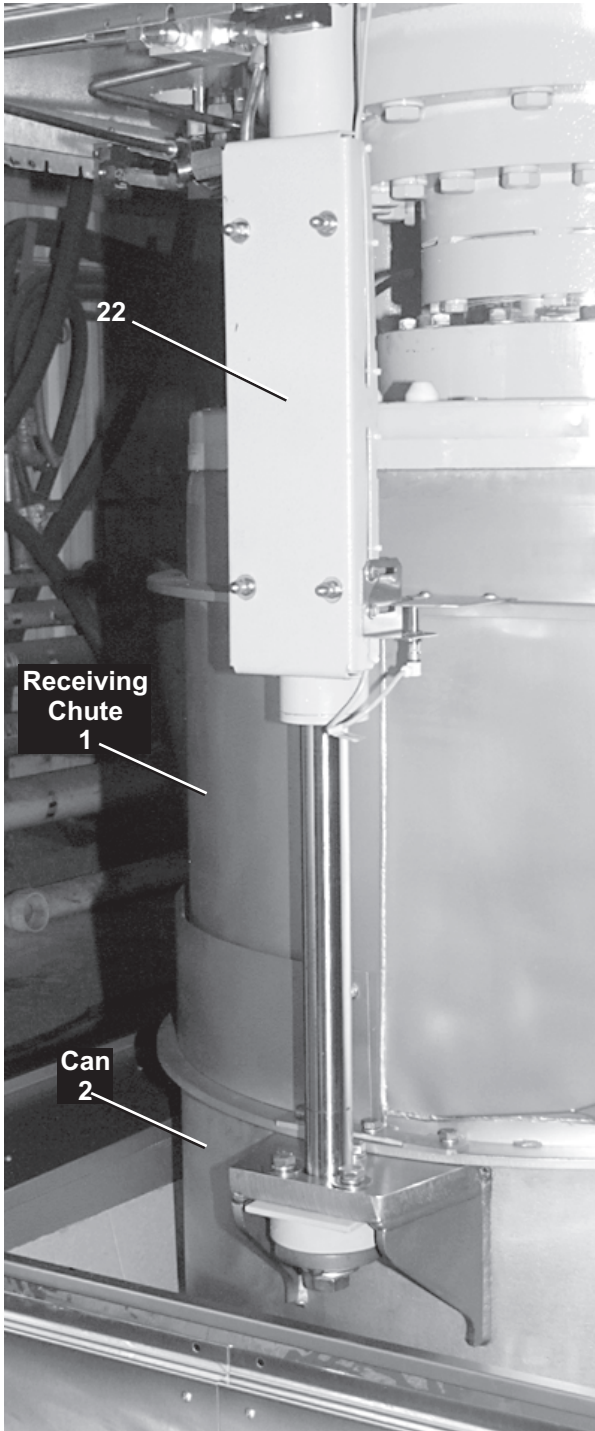
Typical 6 Places





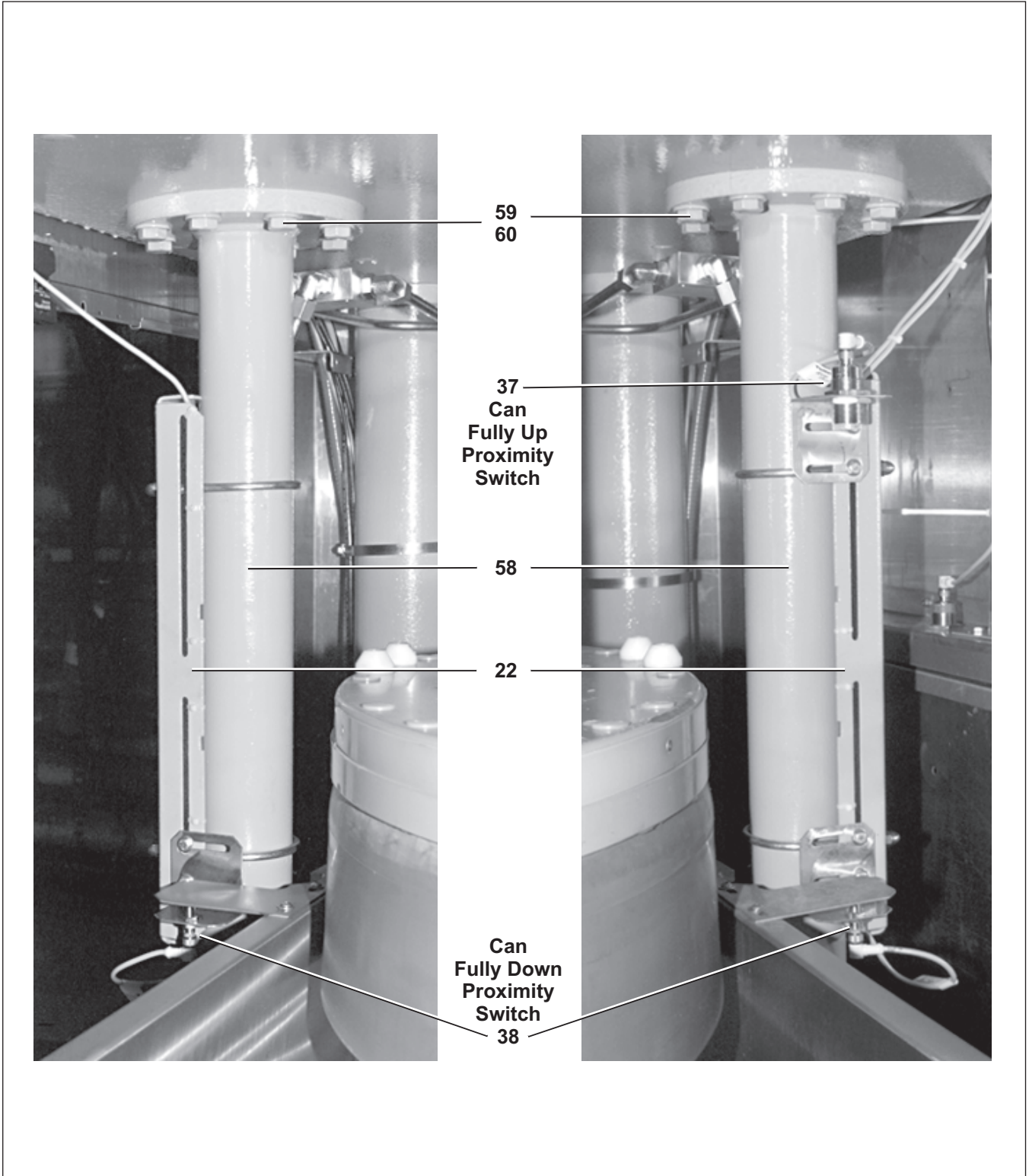
## Receiving Chute and Can

MP1540, MP1566, MP1640, MP1656, MP1A50  
MPL566, MPL640, MPL656



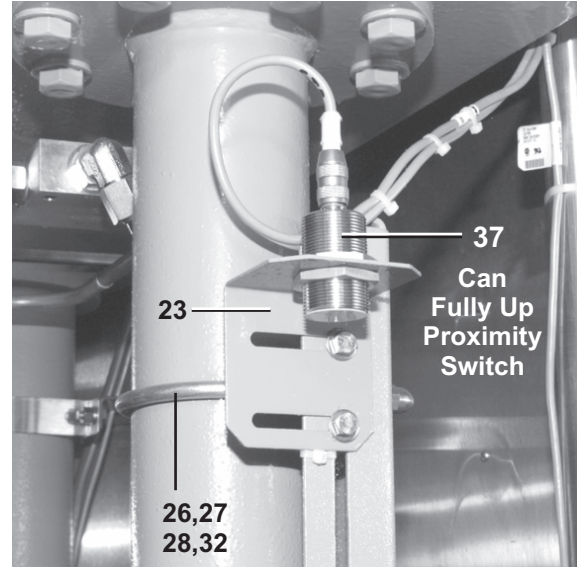
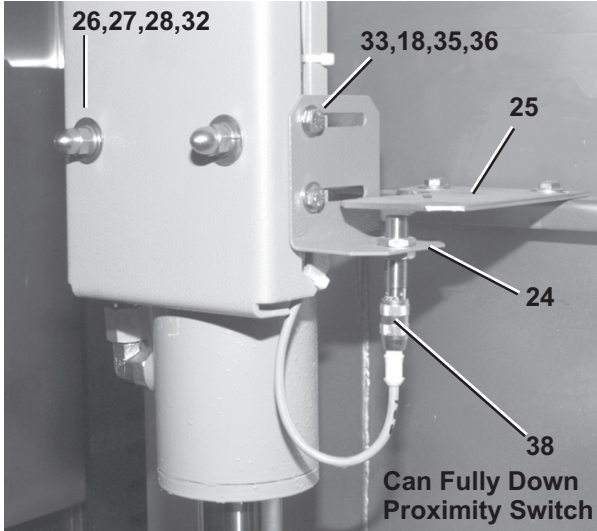
## Receiving Chute and Can

MP1540, MP1566, MP1640, MP1656, MP1A50  
MPL566, MPL640, MPL656



## Receiving Chute and Can

MP1540, MP1566, MP1640, MP1656, MP1A50  
MPL566, MPL640, MPL656

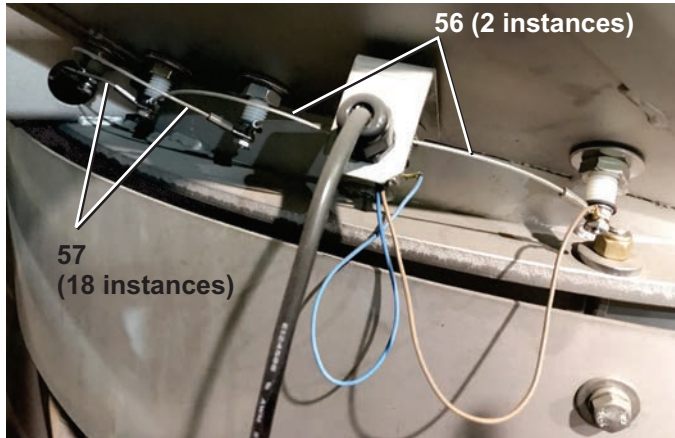


### Incomplete Transfer Chute Sensors:

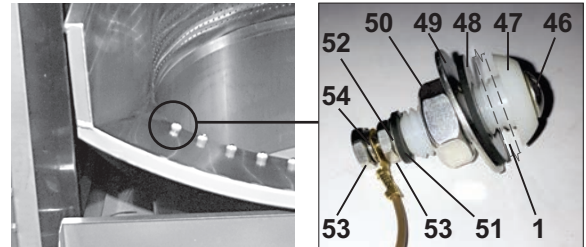


## Receiving Chute and Can

MP1540, MP1566, MP1640, MP1656, MP1A50  
 MPL566, MPL640, MPL656



View A-A



View B-B

Note: Incomplete Transfer Chute Sensors  
 Make a closed circuit. Connect every other sensor with nine inch and six inch wires (items 56 and 57) to the furthest point out, as shown. Connect skipped sensors to return to the harness. Make electrical control connections.

### Parts List

Find the correct assembly first, then find the needed components. The item letters (A, B, C, etc.) assigned to assemblies are referred to in the "Used In" column to identify which components belong to an assembly. The item numbers (1, 2, 3, etc.) assigned to components relate the parts list to the illustration.

Used In	Item	Part Number	Description	Comments
-----REFERENCE ASSEMBLIES-----				
	A	MP1540B	40 BAR PRESS BASE MODULE	Mp1540
	B	MP1556B	MP1556B 56 BAR PRESS BASE MODULE	MP1556, MPL556
	C	MP1640B	MP1640B 40 BAR PRESS BASE MODULE	MP1640, MPL640
	D	MP1656B	MP1656B 56 BAR PRESS BASE MODULE	MP1656, MPL656
	E	MP1A56B	MP1A56 56BAR BASE MODULE	MP1A50
	F	A80CS002	CHUTE SENSOR ASSY-MP1A03	ALL
	G	ECA9B083S	ASSEMBLY FOR SENSOR PRESS	ALL
ABC	H	A80CC003	CAN CYL ROD BUSHING-MP1603	
DE	J	A80CC004	CAN CYL ROD BUSHING-MP1604	
-----COMPONENTS-----				
AB	1	W7 10518	SSPRESS CHUTE 36"X30DEG WLMT	
CD	1	W7 10468	SSPRESS CHUTE 40WX30DEG WLMT	
E	1	W7 10510	SSPRESS CHUTE 48"X35DEG WLMT	
AB	2	Y7 10064	PRESS 900MMX18.5H CAN-MACHINED	
CD	2	Y7 10026	SSPRESS 18.5H CAN-MACHINED	
E	2	Y7 10032	SSPRESS 48DX22.5H CAN-MACHINED	
AB	3	07 10519	SPLASH GUARD 36DIA CHUTE-ROLLED	

## Receiving Chute and Can

MP1540, MP1566, MP1640, MP1656, MP1A50  
MPL566, MPL640, MPL656

### Parts List

Find the correct assembly first, then find the needed components. The item letters (A, B, C, etc.) assigned to assemblies are referred to in the "Used In" column to identify which components belong to an assembly. The item numbers (1, 2, 3, etc.) assigned to components relate the parts list to the illustration.

Used In	Item	Part Number	Description	Comments
CD	3	07 10306	CHUTE SPLASH GUARD-ROLLED	
E	3	07 10373	SPLASH GUARD 48"CHUTE-ROLLED	
all	4	15K116	HEXFLGSCR 3/8-16X1.75 GR8 ZINC	
all	5	15K191C	HEXCAPSCR 1/2-13X2.5 GR8CHROME	
all	6	15U310	LOKWASHER REGULAR 1/2 SS18-8	
all	7	15U310S	FLATWASH-SS .53 X 1.37 .187T	
all	8	56Q2ASFNIP	2"BUSHING QD TYPE"SF" + PLTG.	
all	9	X7 10111	QD HUB 1.50LG BUSHING	
ABC	10	X7 10051	CAN CYL ROD END SPACER-31BAR	
DE	10	X7 10046	CAN CYL ROD END SPACER-50BAR	
J	11	07 10077	CAN BUSHING CAP 5"DX6"LX1/8"WALL 50DURO	
all	18	15U188	FLTWASH 1/4 STD COMM SS18-8	
all	19	15G180	HEXNUT 1/4-20 BRASS	
ABCD	22	07 10360	RECEIVE CHUTE SW CHANNEL	
E	22	07 10384	LOADCHUTE PROX.SW BRKT	
all	23	07 10337	RECEIVING CHUTE SW MTG BRKT	
all	24	07 10337A	CHUTE PROX.SW BRKT-12MM	
AB	25	07 10338A	CHUTE TARGET-900MM MEMBRANE	
CDE	25	07 10338	SSPRESS CHUTE TARGET	
all	26	15U245	FLTWASH 3/8 STD COMM 18-8 SS	
all	27	15U260	LOCKWASHER MEDIUM 3/8 SS18-8	
all	28	27A035	UBOLT 3/8-16 3.625"BETWEN LEGS	
all	29	15U404C	16 GA ADJWASH =BRGHOUS ZINC	
all	30	02 15630	FLATWASH 2.75 X .25 304 S/S	
all	31	15K255A	HEXCAPSCR 1-8X1.75 316SS	
all	32	15G221	HEXCASTLENUT 3/8-16UNC2 SS18-8	
all	33	15N174	HXCAPSCR 1/4-20UNC X5/8SS18-8	
all	35	15U181	LOCKWASHER MEDIUM 1/4 SS18-8	
all	36	15G170	HEXNUT 1/4-20UNC2 SS18-8	
all	37	09RPS30ADS	PROX SW QK CONN 30M NO-DC SHLD EUROFAST	
AB	38	09RPSDC010	CONN.STR FEMALE DC 3A 300V 10M RK4T-10 - EUROFAST	
CDE	38	09RPSDC095	CON.90DEG FEMALE DC 3A300V 5M WK4T-6 EUROFAST	
all	39	15K227T	HXCAPSCW 3/8-16X3 1/2 TFL S/S	
all	40	15U245A	FLTWASH 25/64IDX1.25ODX3/32 S/	
all	42	15G206	HEXNUT 3/8-16 UNC2 SS 18-8	
AB	43	07 10075	CAN SPLASH GUARD Mp1550	
CD	43	07 10072	CAN SPLASH GUARD MP16XX	

## Receiving Chute and Can

MP1540, MP1566, MP1640, MP1656, MP1A50  
MPL566, MPL640, MPL656

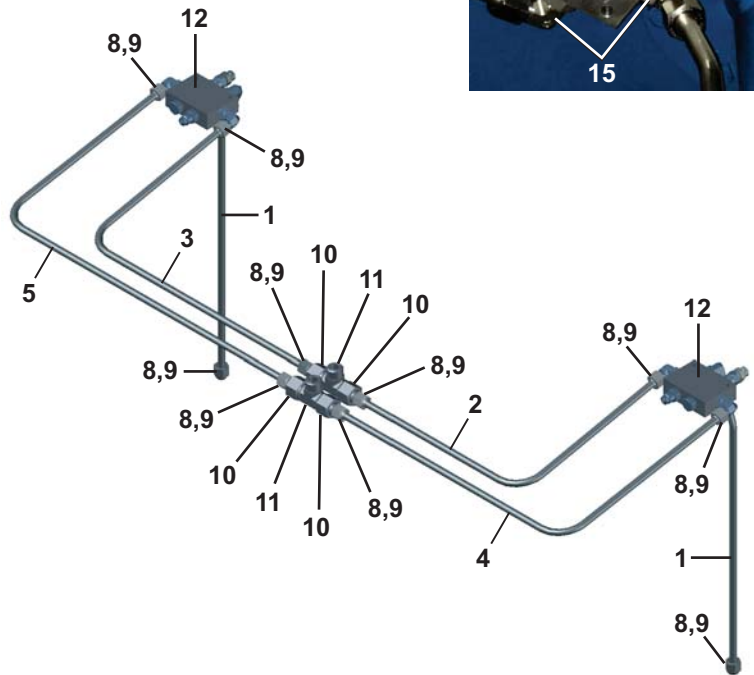
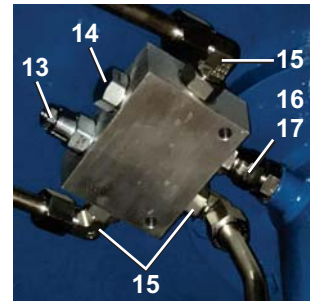
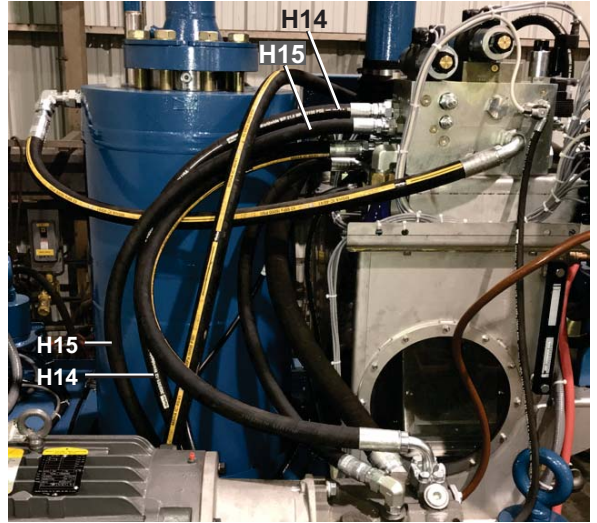
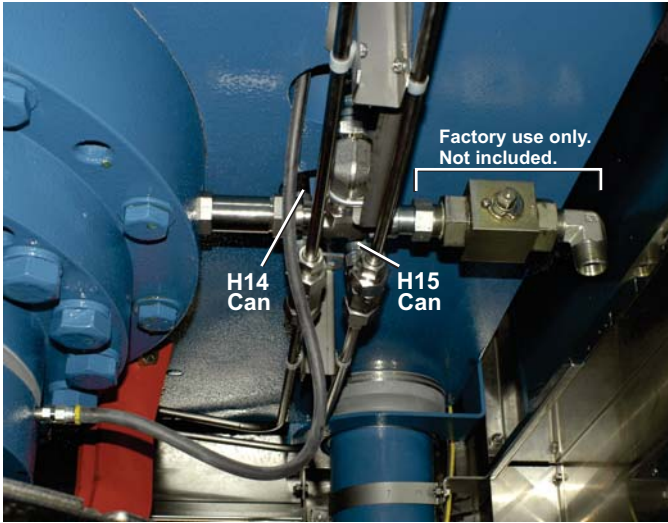
### Parts List

Find the correct assembly first, then find the needed components. The item letters (A, B, C, etc.) assigned to assemblies are referred to in the "Used In" column to identify which components belong to an assembly. The item numbers (1, 2, 3, etc.) assigned to components relate the parts list to the illustration.

Used In	Item	Part Number	Description	Comments
E	43	07 10074	CAN SPLASH GUARD MP1A03	
all	44	07 10073	CAN SPLASH GUARD BRKT	
all	45	15K086	HXCAPSCR 3/8-16NCX3/4 SS18-8	
all	46	15N153A	TRUSLTMACCHSCR10-24X1.75 18-8S	
F	47	X7 10322	CHUTE SENSOR NYLON BOLT	
G	48	15U173	FLATWASHER 1/2 VITON - PK = 5 EACH	
F	49	15U285	FLATWASHER 1/2 STD COMM SS18-8	
F	50	15G231S	HXFJNAMBUT 1/2-13UNC2B SS18-8	
G	51	15U132	FLATWASH #10 VITON - PK = 25 EACH	
F	52	15U135	FLATWASH#10 .4370DX.203IDX.04T	
F	53	15G130	HEXMACHSCRNUT 10-24UNC2 SS18-8	
F	54	15U160	LOCKWASHER MEDIUM #10 SS18-8	
F	55	07 10339	SENSOR WIRE CONN BRKT	
G	56	10Y9B083S	HARNESS FOR SENSOR PRESS (REPLACED BY ECA9B083S)	
F	57	09V300SS09	9" OR 10" SS WIRE - RING TO RING - COATED	
F	58	09V300SS06	6" SS WIRE - RING TO RING - COATED	
ABC	59	27E163A17A	HYD.CYL 3.25"BORE X 16.25"STK	
DE	59	27E163A20A	HYD.CYL.3.25"BOREX 20.25"STK.	
ABCD	60	15K221S	HEXCAPSCR 5/8-11X2 S/S 18-8	
E	60	15K226N	HEXCAPSCW 5/8-11X3.5 18-8 SS	
ABCD	61	15U314S	FLTWASH 5/8 STDCOMM SS18-8	
E	61	15U316	FLTWASH 5/8 HARD ASTM F436	

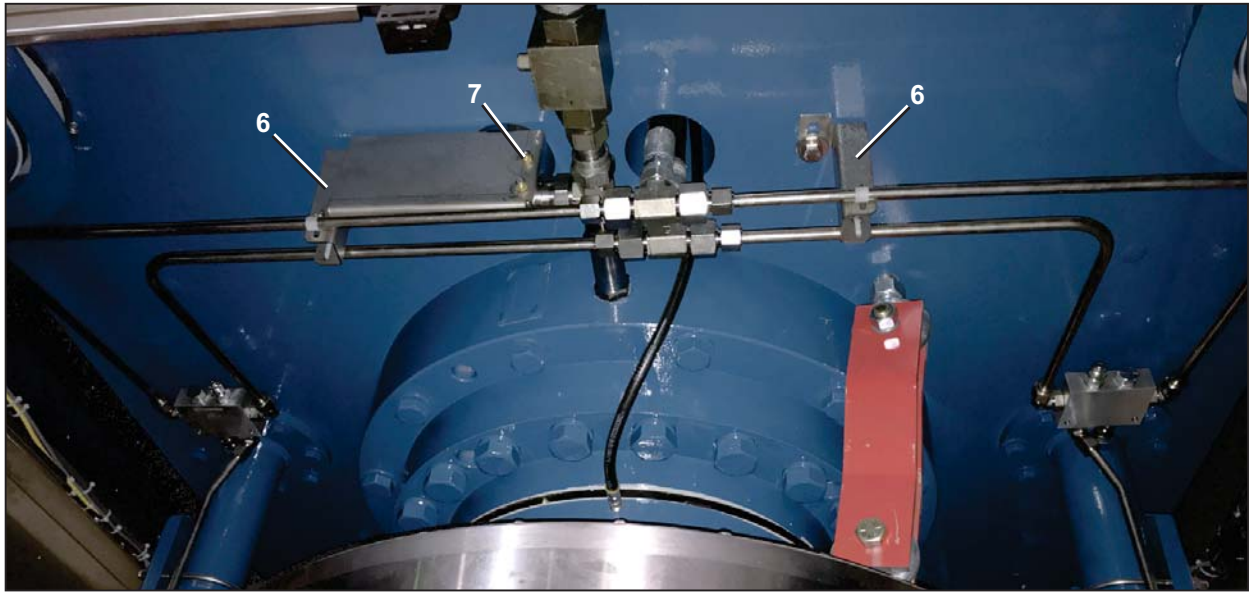
# Counterbalance Valves and Tubing

MP1540, MP1556, MP1640, MP1656, MP1A50  
MPL556, MPL640, MPL656



## Counterbalance Valves and Tubing

MP1540, MP1556, MP1640, MP1656, MP1A50  
 MPL556, MPL640, MPL656



### Parts List—Counterbalance Valves and Tubing

Find the correct assembly first, then find the needed components. The item letters (A, B, C, etc.) assigned to assemblies are referred to in the "Used In" column to identify which components belong to an assembly. The item numbers (1, 2, 3, etc.) assigned to components relate the parts list to the illustration.

Used In	Item	Part Number	Description	Comments
-----REFERENCE ASSEMBLIES-----				
	A	AHT10018	CANCYL TUBING-1540,1550,1556,1603,1640	MP1540, MPL550/556
	B	AHT10018A	CANCYL TUBING-MP1604,1650,1656	MPL650/656
	C	AHT10018B	CAN CYL TUBING-MP1A03/MP1A50	MP1A50
	D	A80CC001	CAN CYL-COUNTERBAL ASSY	REFERENCE ASSEMBLY
-----COMPONENTS-----				
AB	1	AHT10056	TUBING 1/2 CAN CBALANCE-MP15/MP16	
C	1	AHT10056A	TUBING 1/2 CAN CBALANCE-MP1A50	
A	2	AHT10064	TUBING CAN UP 14"RAM-LEFT	
B	2	AHT10064D	TUBING CAN UP 16"RAM-LEFT	
C	2	AHT10064H	TUBING CAN UP 17"RAM-LEFT	
A	3	AHT10064A	TUBING CAN UP 14"RAM-RIGHT	
B	3	AHT10064E	TUBING CAN UP 16"RAM-RIGHT	
C	3	AHT10064J	TUBING CAN UP 17"RAM-RIGHT	
A	4	AHT10064B	TUBING CAN DOWN 14"RAM-LEFT	
B	4	AHT10064F	TUBING CAN DOWN 16"RAM-LEFT	
C	4	AHT10064K	TUBING CAN DOWN 17"RAM-LEFT	
A	5	AHT10064C	TUBING CAN DOWN 14"RAM-RIGHT	
B	5	AHT10064G	TUBING CAN DOWN 16"RAM-RIGHT	
C	5	AHT10064L	TUBING CAN DOWN 17"RAM-RIGHT	



## Counterbalance Valves and Tubing

MP1540, MP1556, MP1640, MP1656, MP1A50  
 MPL556, MPL640, MPL656

### Parts List—Counterbalance Valves and Tubing

Find the correct assembly first, then find the needed components. The item letters (A, B, C, etc.) assigned to assemblies are referred to in the "Used In" column to identify which components belong to an assembly. The item numbers (1, 2, 3, etc.) assigned to components relate the parts list to the illustration.

Used In	Item	Part Number	Description	Comments
all	6	07 10414	CAN CYLINDER TUBING SUPPORT	
all	7	27A031	UBOLT 1"PIPE 5/16-18X2+3/16LG	
all	8	52ZN00S006	TUBEFIT 1/2"NUT FC SL #8 BL-SS	
all	9	52ZN00S005	TUBEFIT 1/2"PARF.SLEEVE#8TPL-SS	
D	10	52ZT00S004	TUBEFIT TEE 3/4" PARKER#12 JLO-SS	
D	11	52ZL00S009	TUBEFITRED3/4X1/2 #12-8 TR LON-SS	
D	12	96DH471	COUNTERBALANCE VALVE-SUN BODY #YEJ	
D	13	96DH471A	CARTRIDGE-COUNTERBAL.SUN #CBCA-LHN	
D	14	96DH410	CART., SUN CHECKVALVE CKCB-XCN	
D	15	52ZJ00S023	TUBEFIT1/2"90ELFC #8 C5OLO-SS	
D	16	52XY0KR066	STRADPT 1/2MJICX0R #8 F5OX-SS	
D	17	52XY0KR067	STRADPT 1/2FJICX0R #8 F65OX-SS	



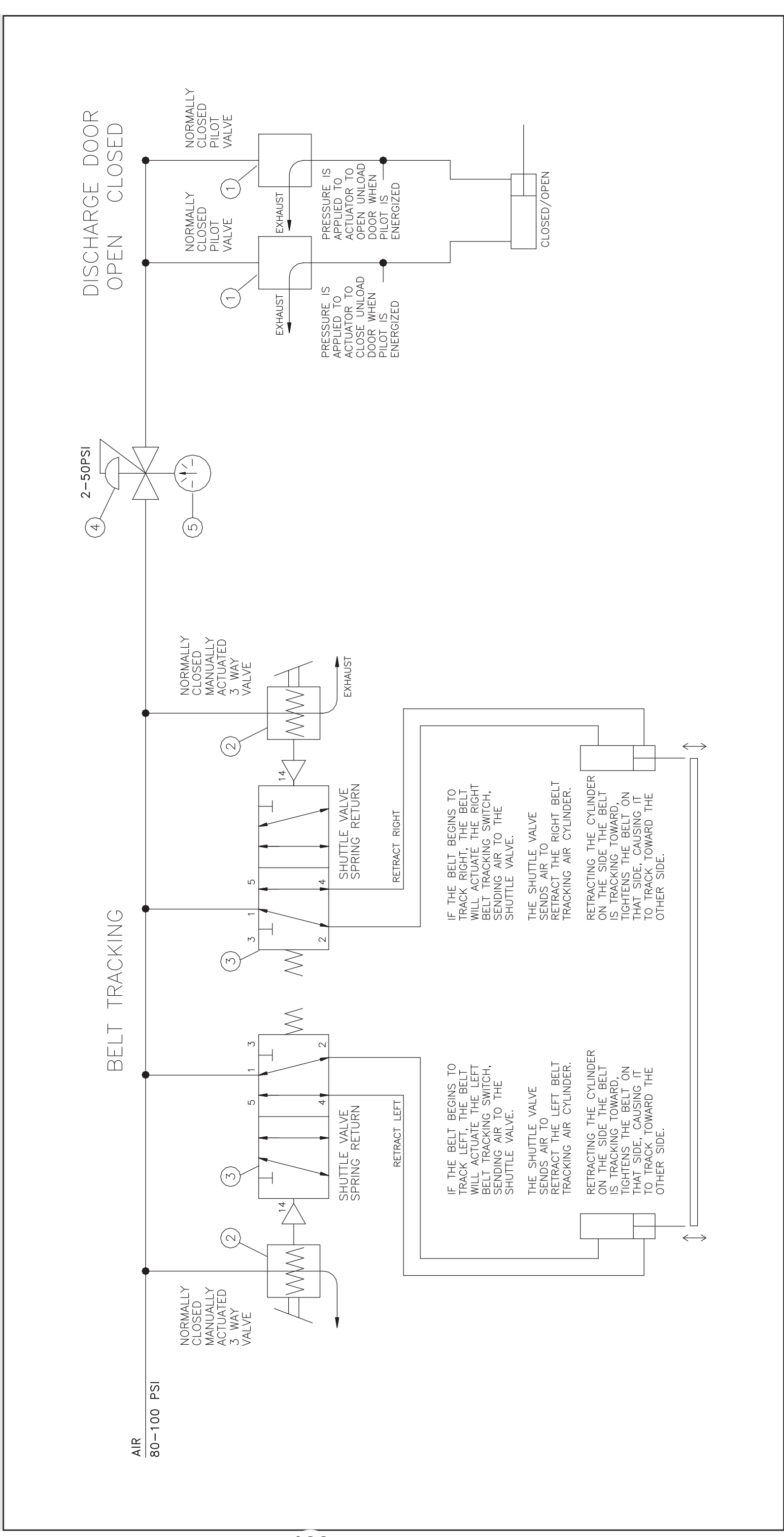
# Pneumatic Piping and Assemblies

3



**Pellerin Milnor Corporation**  
 P. O. Box 400, Kenner, LA 70063-0400

Litho in U.S.A.



**Pneumatic Schematic**  
**MP1540, MP1556, MP1640, MP1656, MP1A50**  
**MPL550/556, MPL640/650/656**

BMP110042/2020275B  
 (2 / 2)



**Pellerin Milnor Corporation**  
 P. O. Box 400, Kenner, LA 70063-0400

Litho in U.S.A.

Used In	Item	Part Number	Description	Comments
			-----COMPONENTS-----	
all	1	96R301B37	1/8" AIRPILOT 3W NC 120V50/60	
all	2	96N005	3WAY AIROP CONT.VLV.CLIPP#MJV3	
all	3	96N0011H	SHUTLVLV 1/4" 4WAY MECHSPRING	
all	4	96J019E	1/4"PRESSREG2-50P R07-200-RNEA	
all	5	30N101	PRESSGAUGE 1/8"BACKCN.0-60PSI	

**Parts List—Pneumatic Schematic**

Find the correct assembly first, then find the needed components. The item letters (A, B, C, etc.) assigned to assemblies are referred to in the "Used In" column to identify which components belong to an assembly. The item numbers (1, 2, 3, etc.) assigned to components relate the parts list to the illustration.



# Conveyor Assemblies

4

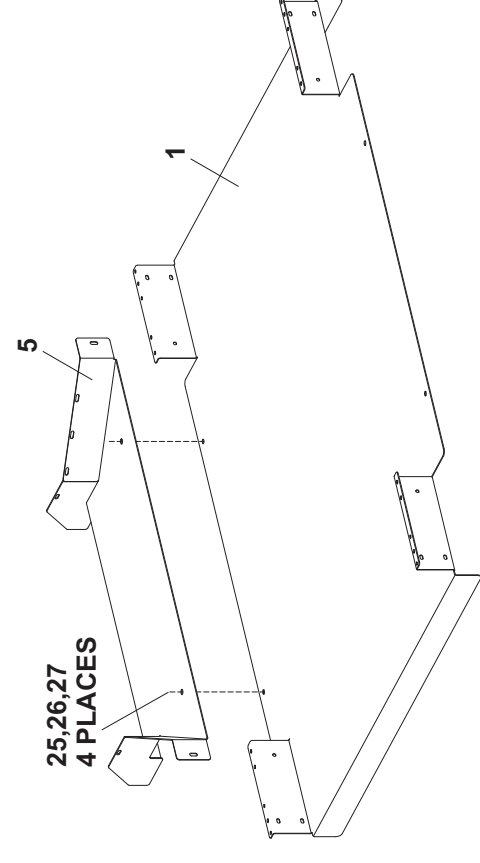
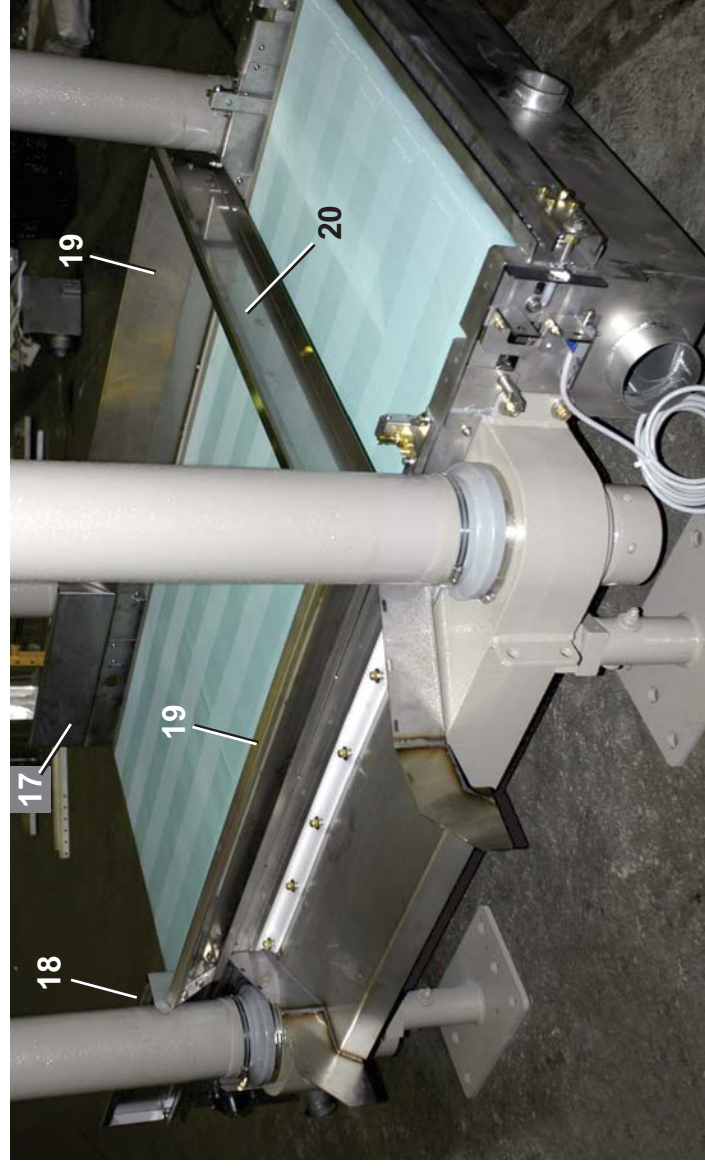
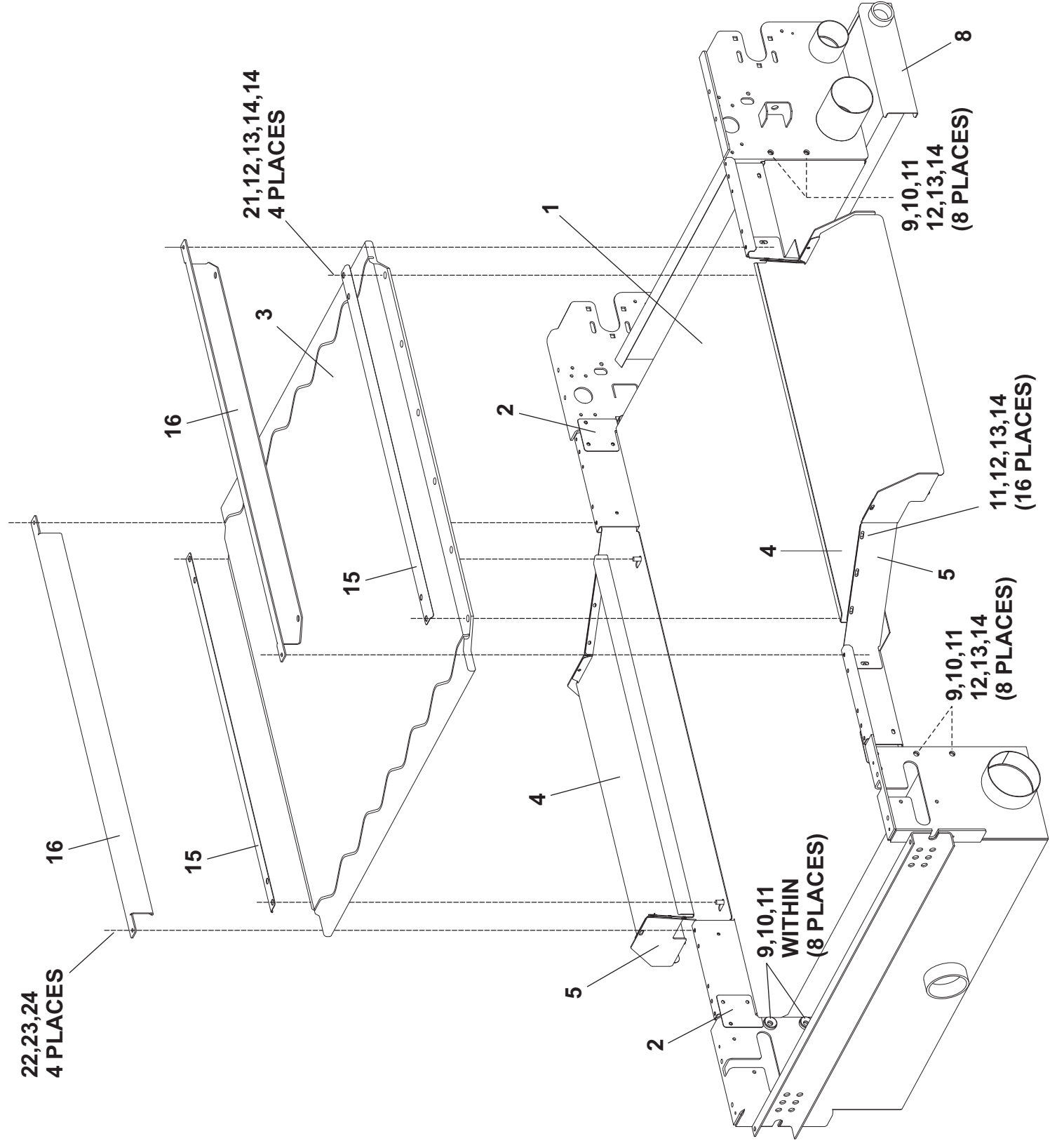
**Conveyor Bed**  
**MP1540, MP1556, MP1640, MP1656, MP1A50, MPL1556, MPL640, MPL656**

BMP110018/2020275B  
 (1/2)



Pellerin Milnor Corporation  
 P. O. Box 400, Kenner, LA 70063-0400

Litho in U.S.A.



Detail: Bed liner and extension



**Conveyor Bed**  
**MP1540, MP1556, MP1640, MP1656, MP1A50, MPL556, MPL640, MPL656**



Pellerin Milnor Corporation  
 P. O. Box 400, Kenner, LA 70063-0400

BMP110018/2020275B  
 (2 / 2)

Litho in U.S.A.

**Parts List—Conveyor Bed**  
 Find the correct assembly first, then find the needed components. The item letters (A, B, C, etc.) assigned to assemblies are referred to in the "Used In" column to identify which components belong to an assembly. The item numbers (1, 2, 3, etc.) assigned to components relate the parts list to the illustration.

Used In	Item	Part Number	Description	Comments
	A	ALC420164	CONV SIDE ASSY-MP16XX	
			-----ASSEMBLIES-----	
			-----COMPONENTS-----	
all	1	W4 24091	CONV BED 42W WLMT-MP16XX	
all	2	04 23508	BED END SEAL PLATE	
all	3	03 80010F	PRESS BED Z-GRV R/L DRAIN-MP16XX	
all	4	04 23620	BED EXT. SPLASH GUARD	
all	5	W4 23536A	CONV BED LINER EXTENSION WLMT	
all	6	04 21460	BELT HOLD DOWN BRKT-RT	
all	7	04 21460A	BELT HOLD DOWN BRKT-LF	
all	8	ALC420114	DRIP TRAY UNLOADEND-31BAR	
all	9	07 20607N	MK2 "O"RING RET PRE-PRESS	
all	10	60C108	ORING 1/2IDX3/16CS BUNA70#310	
all	11	15K180S	HXCAPSCR 1/2-13UNCAX2 18-8SS	
all	12	15U310S	FLATWASH-SS .53 X 1.37 .187T	
all	13	15U310	LOKWASHER REGULAR 1/2 SS18-8	
all	14	15G234B	HEXNUT 1/2-13UNC2B BRASS	
all	15	04 24213	PLASTIC BED HOLD DOWN STRIP	
all	16	04 24215	PLASTIC BED HOLD DOWN CHANNEL	
all	17	04 23505	SIDE UNLOAD END SSPRESS-RT	
all	18	04 23505A	SIDE UNLOAD END SSPRESS-LF	
all	19	04 23512	BED SIDE MIDDLE SECTION	
all	20	04 23513	CONV ENDGATE-MP16XX	
all	21	15K171	HEXCAPSCR 1/2-13UNC2X1+3/4 SS1	
all	22	15K052	HXCAPSCR 5/16-18UNC2AX3/4 SS18	
all	23	15U205	LOKWASHER MEDIUM 5/16" 18-8SS	
all	24	15G186	HEXNUT 5/16-18UNC2 SS18-8	
all	25	15K086	HXCAPSCR 3/8-16NCX3/4 SS18-8	
all	26	24G030N	ROLLED WASH.379ID NYLTITE 37W	
all	27	15U245A	FLTWASH 25/64IDX1.25ODX3/32 S/	



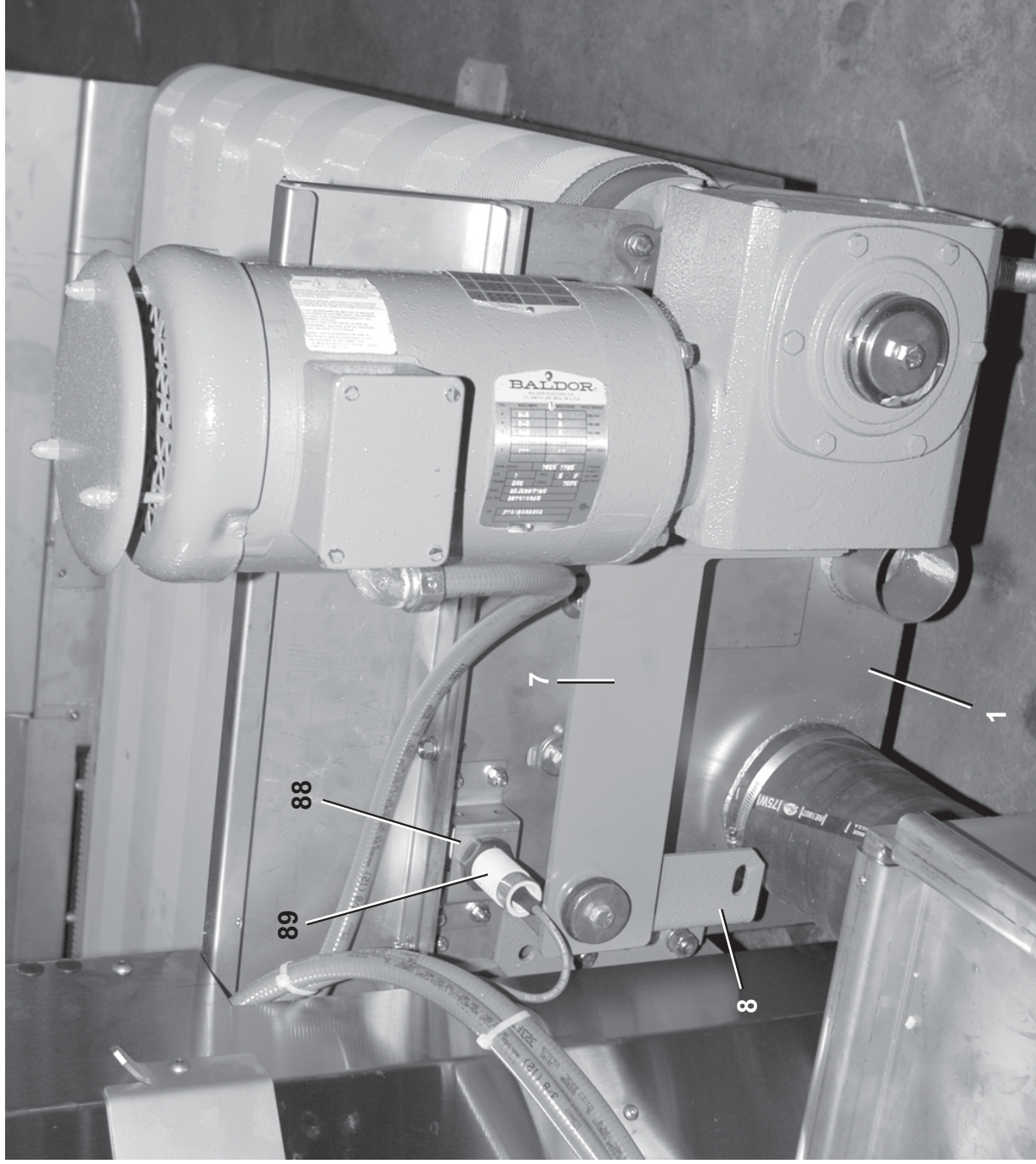
**Conveyor Unload End Assemblies**  
**MP1540, MP1556, MP1640, MP1656, MP1A50, MPL556, MPL640, MPL656**

BMP110010/2020275B  
 (1 / 8)

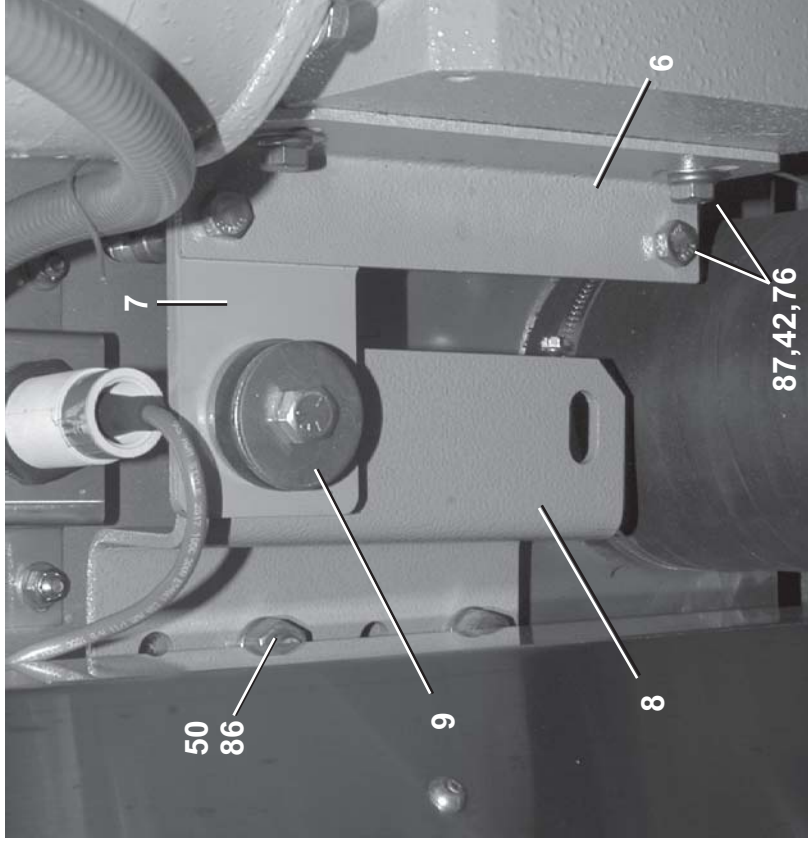


Pellerin Milnor Corporation  
 P. O. Box 400, Kenner, LA 70063-0400

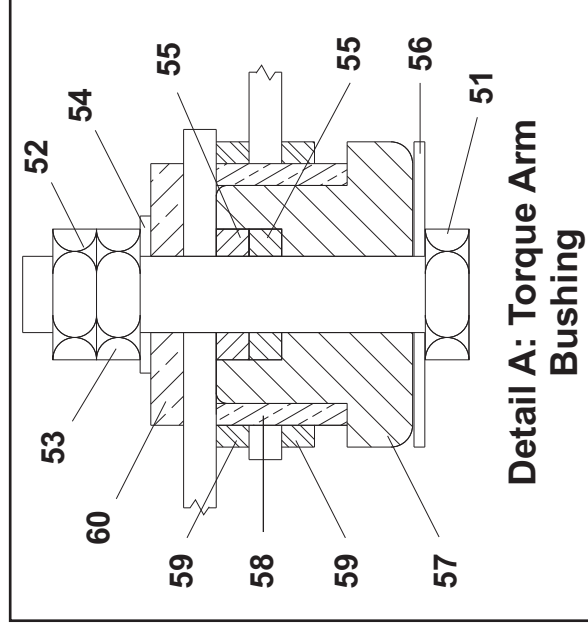
Litho in U.S.A.



**Conveyor Unload End - 0" Bed Extension  
 (00A, 00B)**



**Torque Arm**



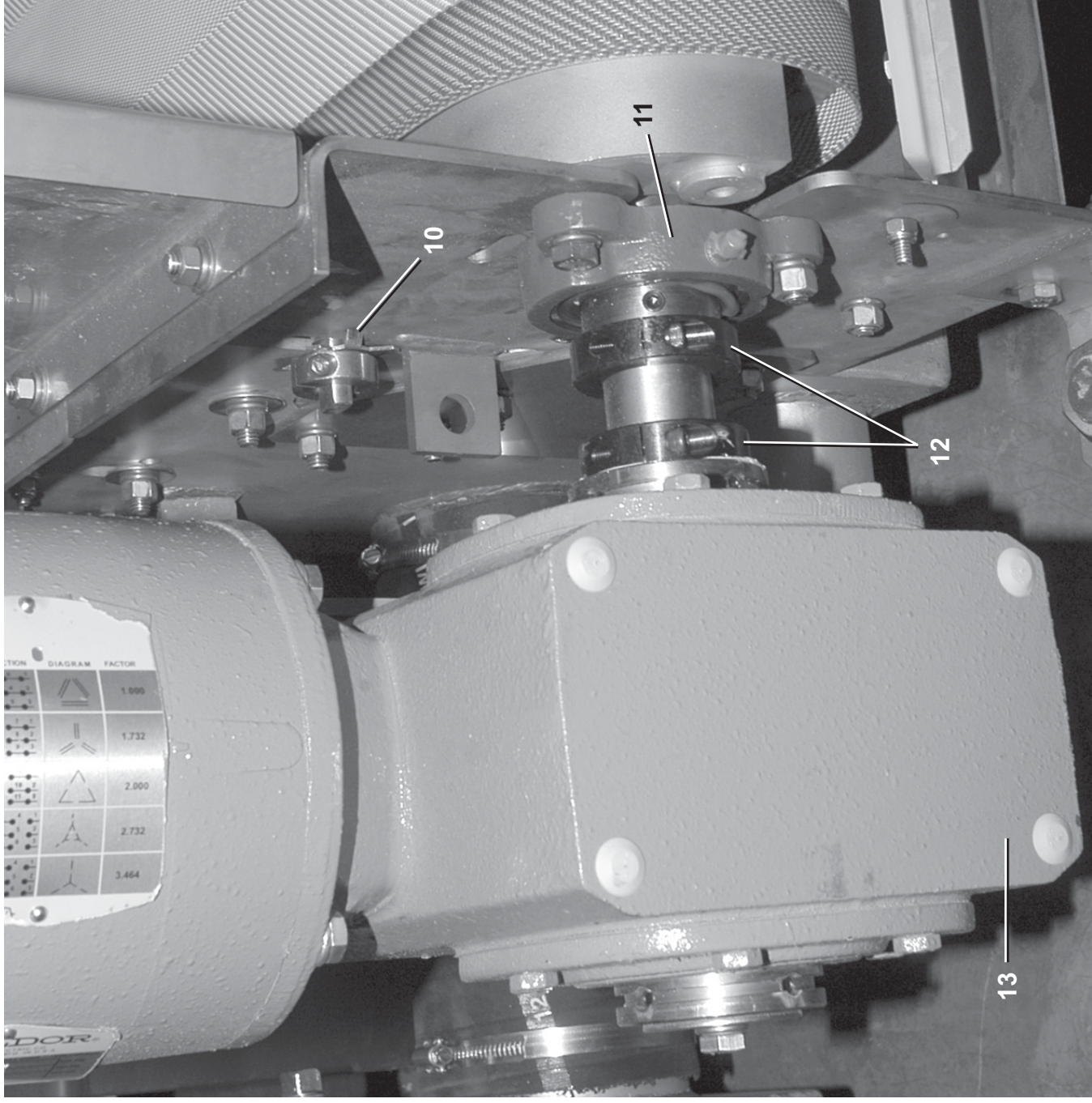
**Detail A: Torque Arm  
 Bushing**

**Conveyor Unload End Assemblies**  
**MP1540, MP1556, MP1640, MP1656, MP1A50, MP1A56, MP1A50, MP1A56, MP1640, MP1656**

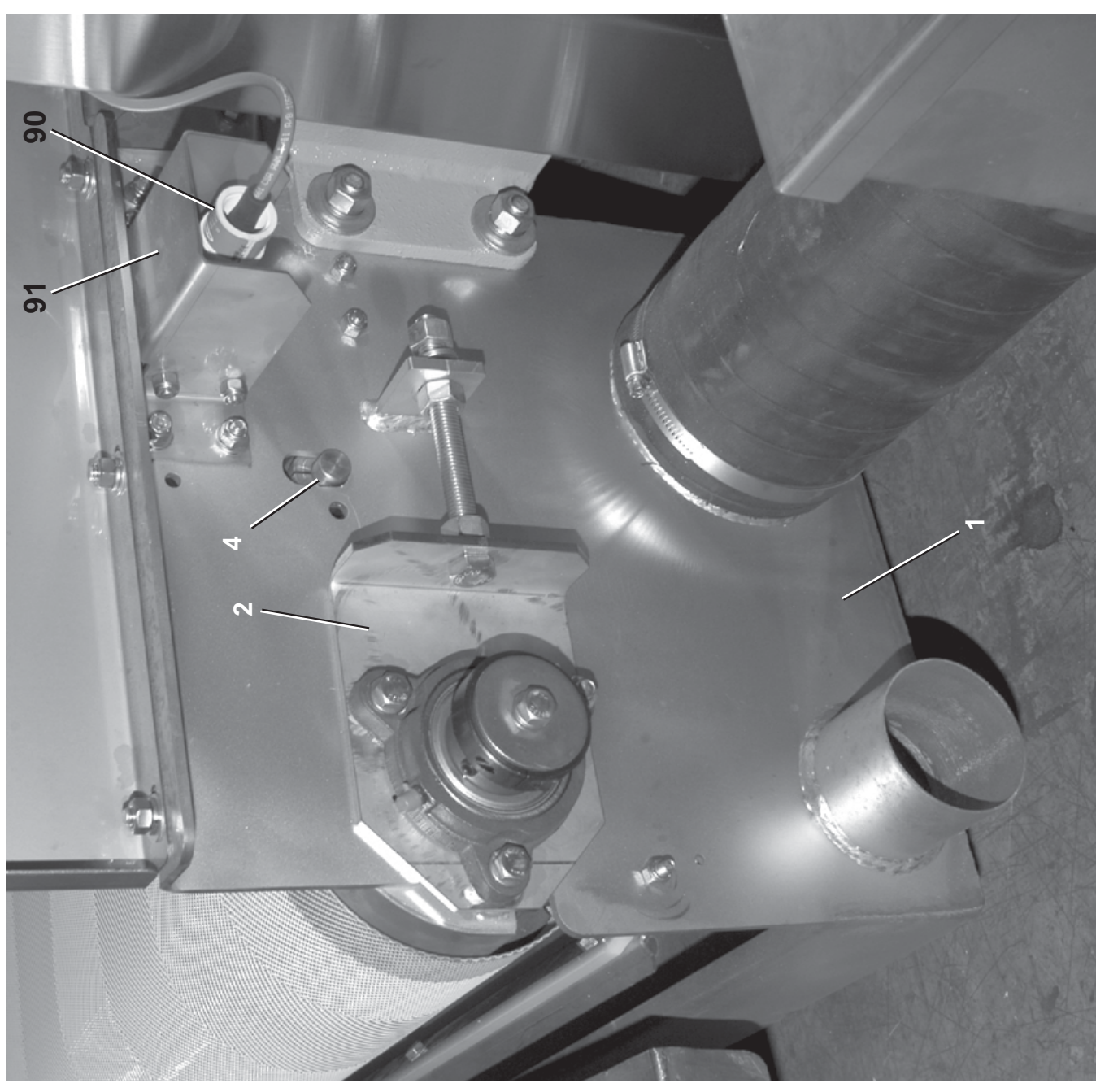
BMP110010/2020275B  
 (2 / 8)

**MILNOR**  
 Pellerin Milnor Corporation  
 P. O. Box 400, Kenner, LA 70063-0400

Litho in U.S.A.



**Conveyor Unload End Drive**



**Conveyor Unload End - 0" Bed Extension  
 (00A, 00B)**

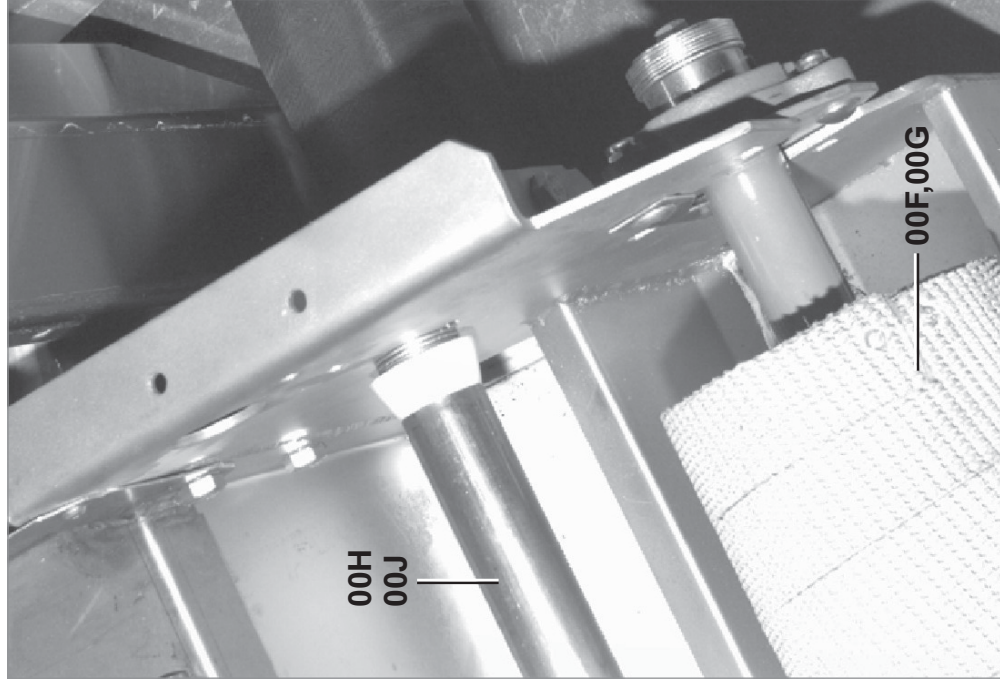
**Conveyor Unload End Assemblies**  
**MP1540, MP1556, MP1640, MP1656, MP1A50, MPL556, MPL640, MPL656**

BMP110010/2020275B  
 (3 / 8)

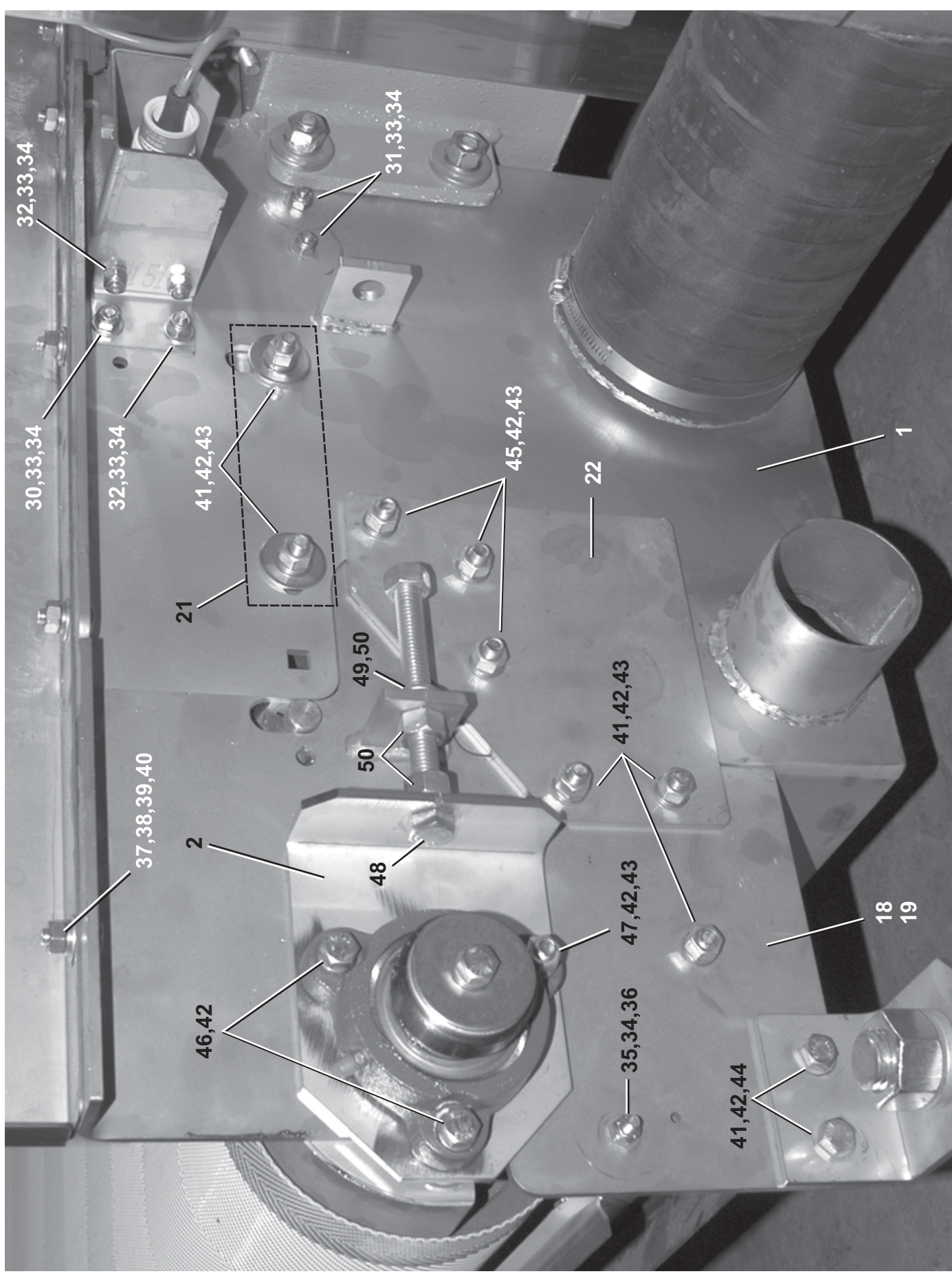


Pellerin Milnor Corporation  
 P. O. Box 400, Kenner, LA 70063-0400

Litho in U.S.A.



**Top view: Drive Roller and  
 Tension "Snubber" Roller**



**Conveyor Unload End: Typical hardware connections  
 (00C shown)**

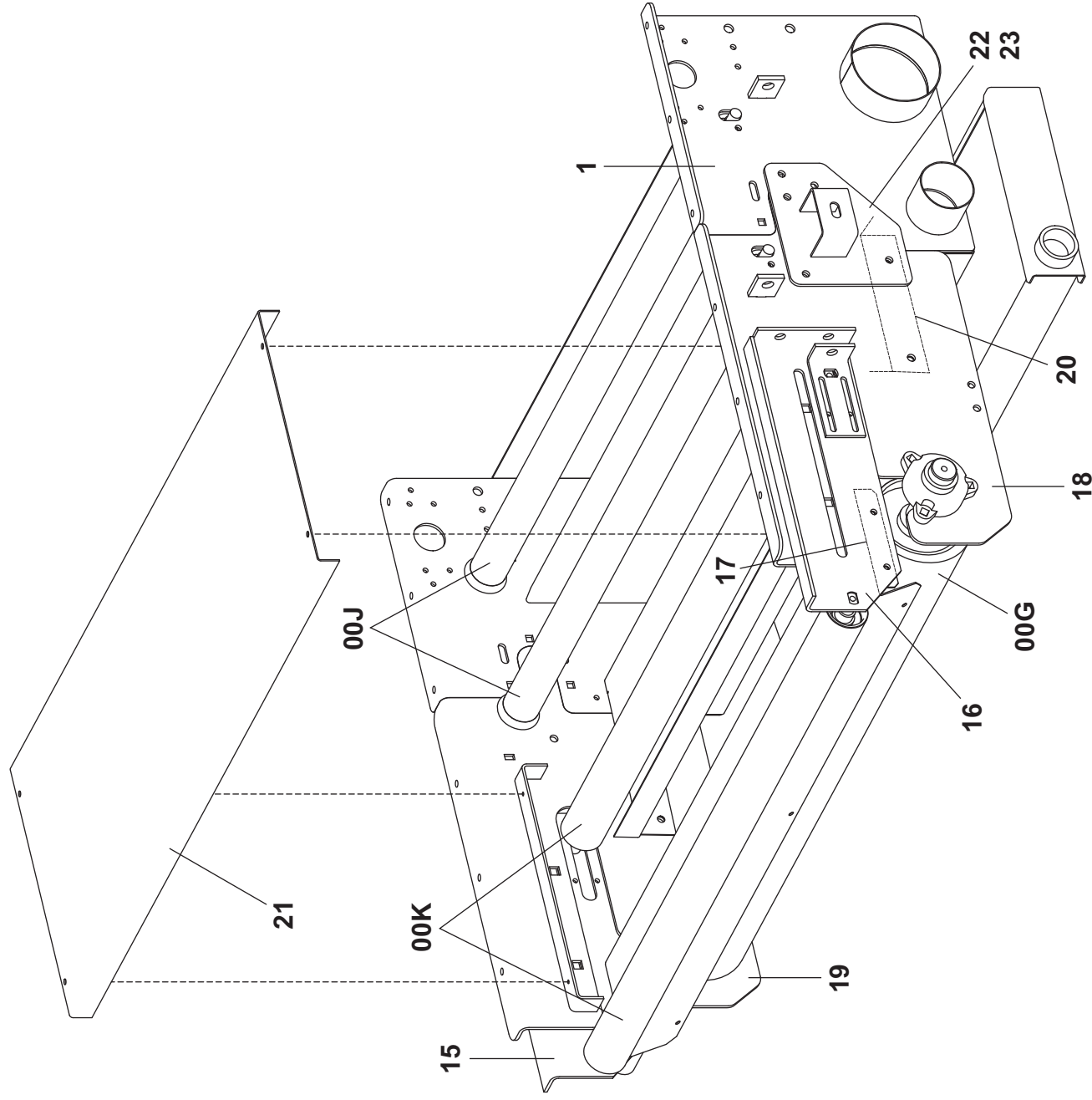
**Conveyor Unload End Assemblies**  
**MP1540, MP1556, MP1640, MP1656, MP1A50, MP1556, MPL640, MPL656**

BMP110010/2020275B  
 (4 / 8)

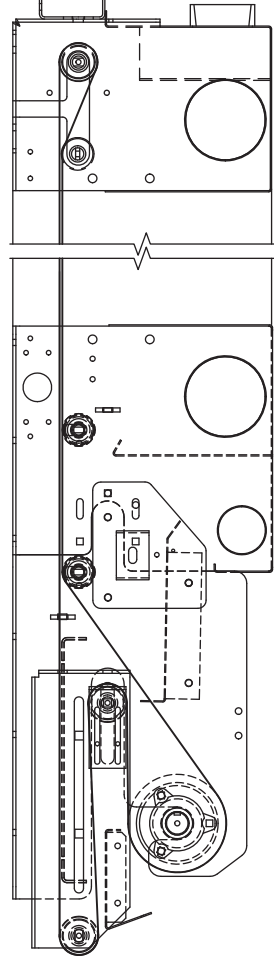


Pellerin Milnor Corporation  
 P. O. Box 400, Kenner, LA 70063-0400

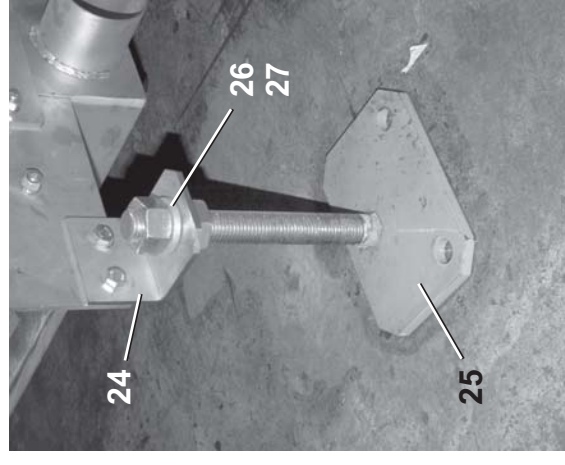
Litho in U.S.A.



**Conveyor Unload End : 12"-24" Bed Extension  
 (00D)**



**Belt Path for 12"-24" Bed Extension  
 (00D)**



**Support Leg for Bed Extensions  
 (00C, 00D, 00E)**

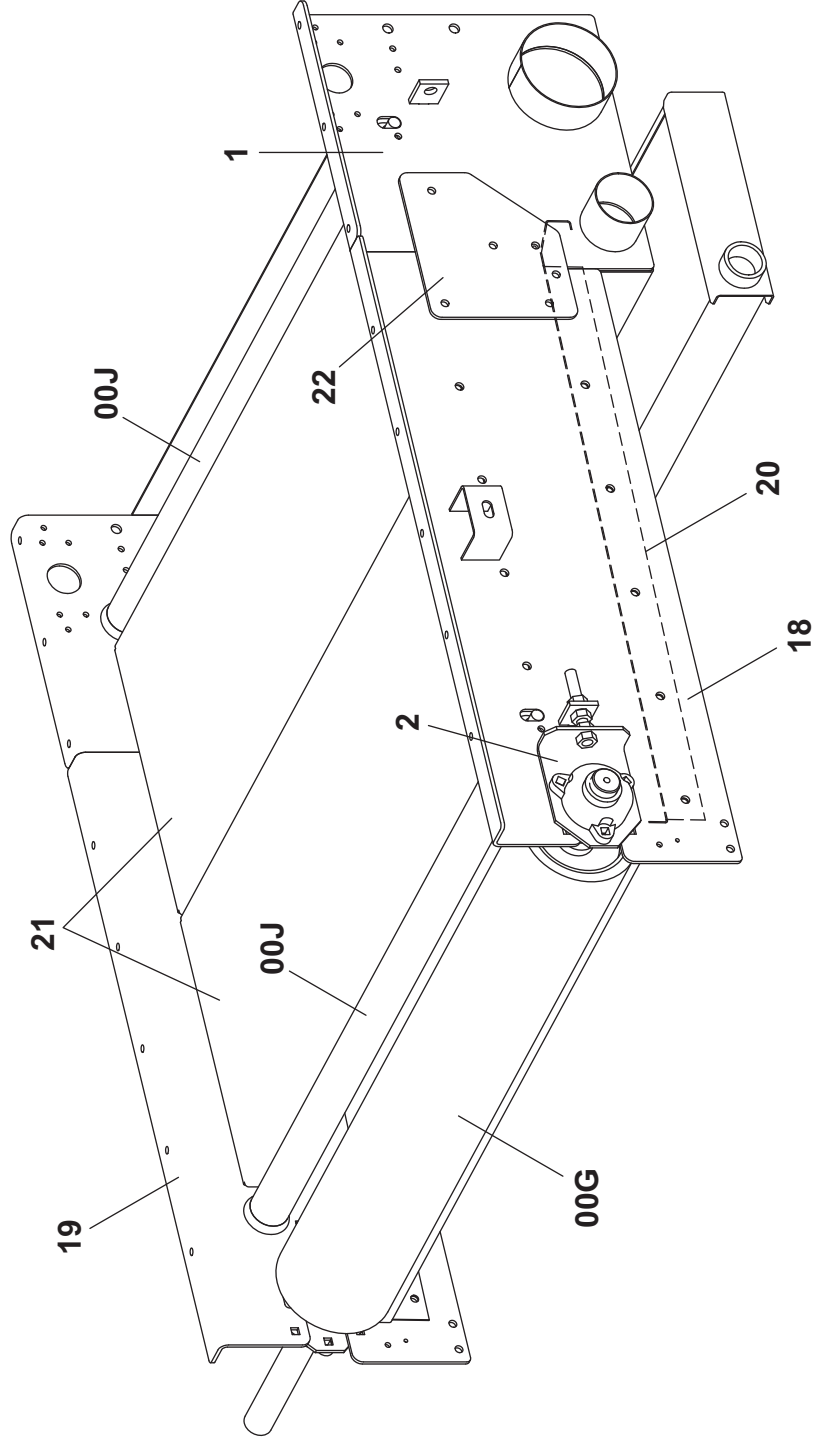
**Conveyor Unload End Assemblies**  
**MP1540, MP1556, MP1640, MP1656, MP1A50, MPL556, MPL640, MPL656**

BMP110010/2020275B  
 (5 / 8)

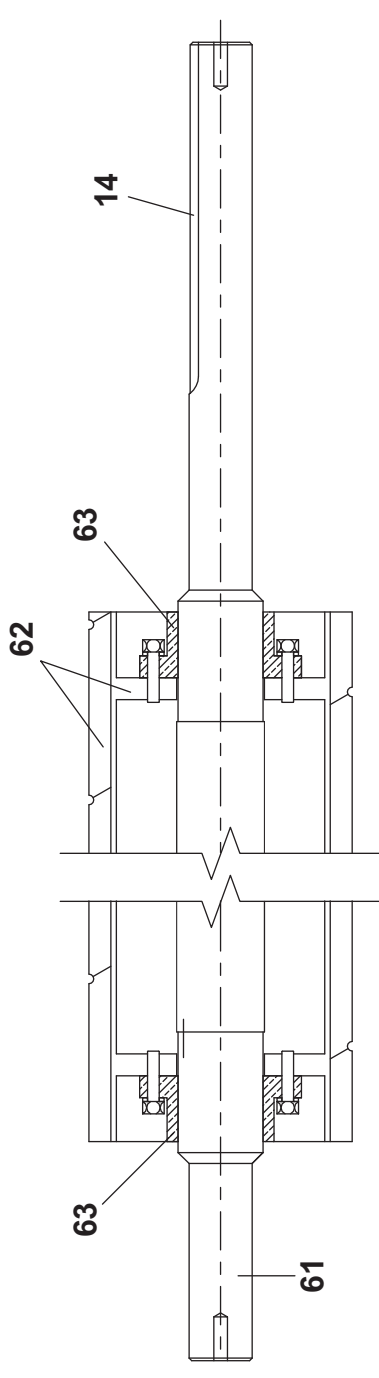


Pellerin Milnor Corporation  
 P. O. Box 400, Kenner, LA 70063-0400

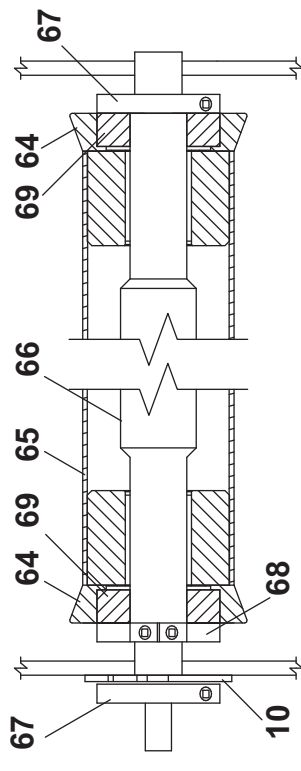
Litho in U.S.A.



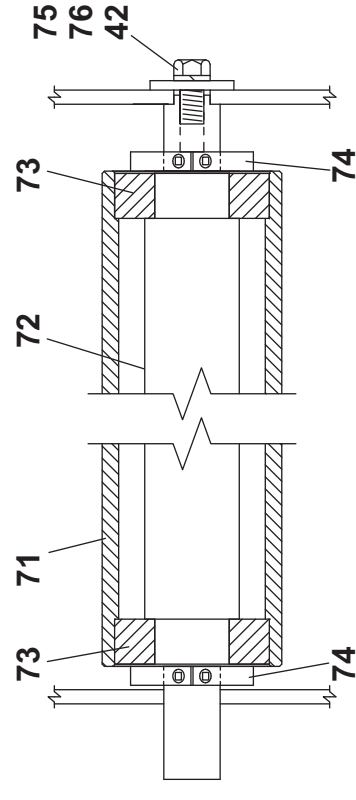
**Conveyor Unload End : 35" Bed Extension  
 (00E)**



**Detail A: Drive Roller (00F, 00G)**



**Detail B: Tension Roller "Snubber" (00H,00J)**



**Detail C: Tension Roller (00K)**

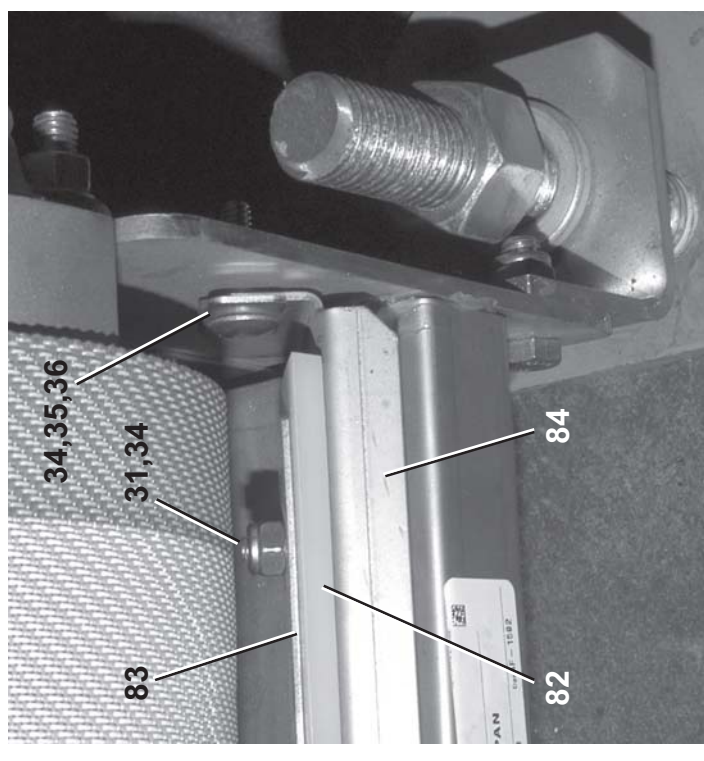
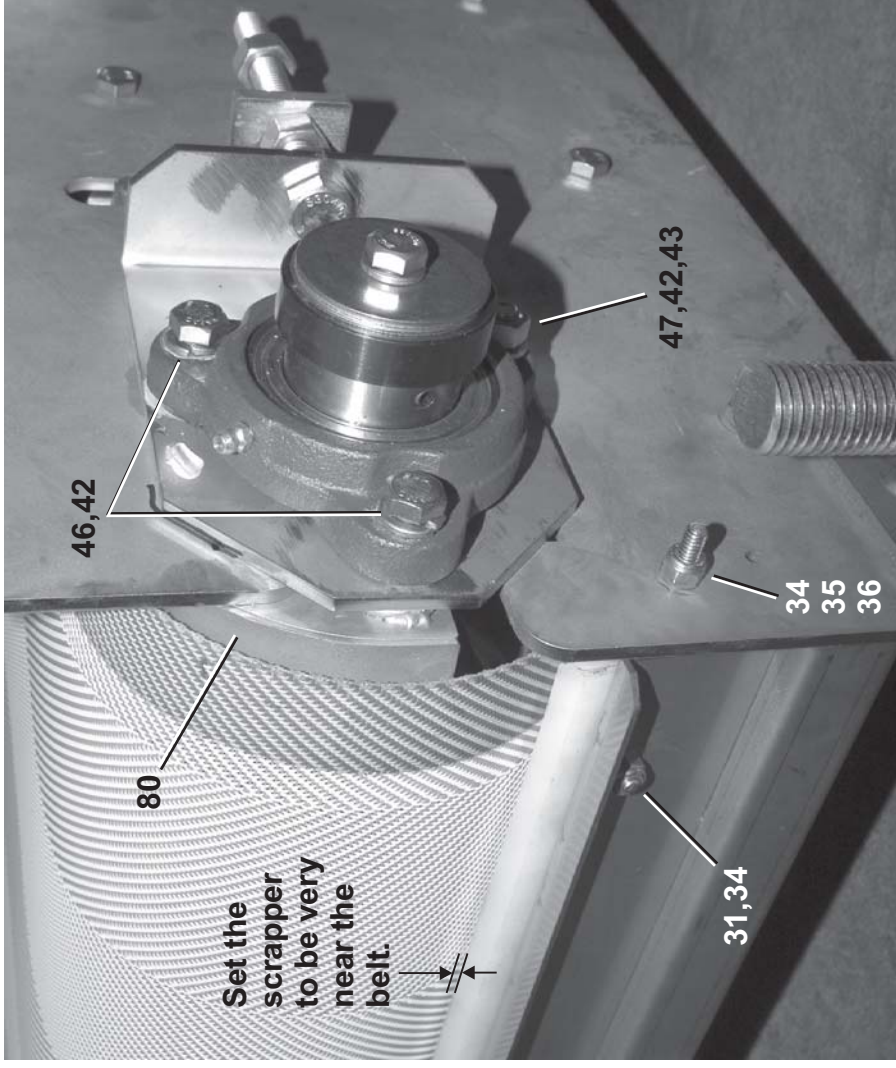
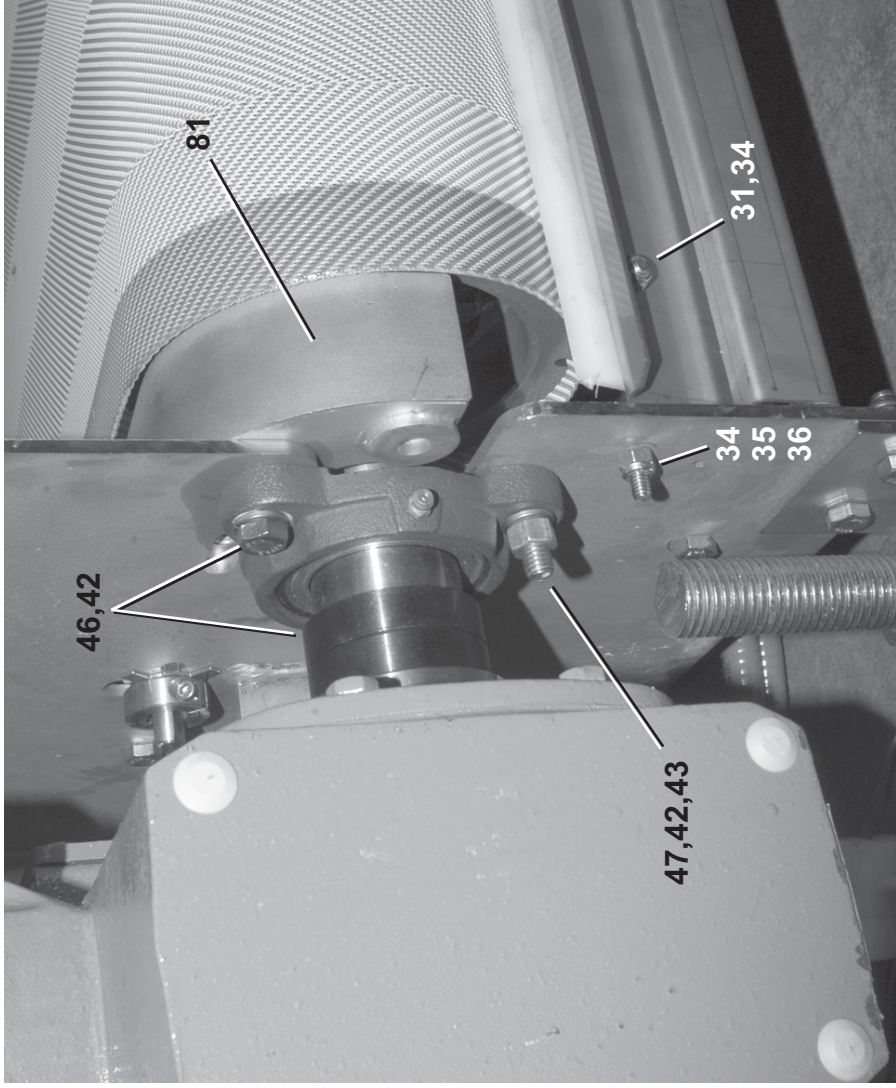
**Conveyor Unload End Assemblies**  
**MP1540, MP1556, MP1640, MP1656, MP1A50, MPL556, MPL640, MPL656**

BMP110010/2020275B  
 (6 / 8)



Pellerin Milnor Corporation  
 P. O. Box 400, Kenner, LA 70063-0400

Litho in U.S.A.



**Installing Fenders**

To install fenders to the discharge roller, remove the idler end roller to release tension on the belt. Move the belt to find the bolts of the flange bearings. Remove these bolts. Put in the fenders. Install the bolts through the fender, the bearing mounting holes, and the flange bearings.

Install the Roll Wiper Assembly.

**Roll Wiper Assembly**

Parts are available to add the Roll Wiper Assembly to the conveyor. See the parts list.

The picture shows the installed roll wiper assembly. The bolt and the nut (items 34,35) are a pivot point for the Roll Wiper Assembly adjustment. Set the scraper to be very near the belt. Tighten the bolt to lock the position of the scraper.

# Conveyor Unload End Assemblies

## MP1540, MP1556, MP1640, MP1656, MP1A50, MP1A56, MP1A50, MP1A56, MP1640, MP1656, MPL556, MPL640, MPL656



**Pellerin Milnor Corporation**  
P. O. Box 400, Kenner, LA 70063-0400

Litho in U.S.A.

BMP110010/2020275B  
(7 / 8)

Used In	Item	Part Number	Description	Comments
<p><b>Parts List—Conveyor Unload End Assemblies</b> Find the correct assembly first, then find the needed components. The item letters (A, B, C, etc.) assigned to assemblies are referred to in the "Used In" column to identify which components belong to an assembly. The item numbers (1, 2, 3, etc.) assigned to components relate the parts list to the illustration.</p>				
			ASSEMBLIES	
A		ALC420174	UNLOADEND DRIVE 51W ASSEMBLY	MP1Axx, 0" EXTENSION AVAILABLE ONLY
B		ALC420177	UNLOAD END DRIVE ASSEMBLY	MP15xx, MP16xx MLP15xx, MLP16xx 0" EXTENSION
C		ALC420180	UNLOAD END DRIVE ASSM 8" EXT	MP15xx, Mp16xx MPL5xx, MPL16xx 8" EXTENSION
D		ALC420182	UNLOAD END DRIVE ASSM 24" EXT	MP15xx, Mp16xx MPL15xx, MPL16xx 12-24" EXTENSION
E		ALC420184	UNLOAD END DRIVE ASSM 35" EXT	MP15xx, MPL15xx MP16xx, MPL16xx 35" EXTENSION
F		APC50005	51W DRIVE LAGGED 1.437 INPUT	MP1Axx
G		APC42005	42W DRIVE LAGGED 1.44-SSPRESS	MP15xx, Mp16xx MPL5xx, MPL6xx
H		ALC50120	DRIVE SNUBBER ROLLER 51W	MP1Axx
J		ALC50059	DRIVE SNUBBER ROLLER-SSPRESS	MP15xx, Mp16xx MPL5xx, MPL6xx
K		ALC50060A	TENSION ROLLER 42W SS-BRNG	MP15xx, Mp16xx MPL5xx, MP16xx
L		ALC420130	UNLOADEND ROLLER WIPER ASSY	MP15xx, Mp16xx MPL5xx, MPL6xx
M		ALC420130A	UNLOADEND ROLL WIPER 51W ASSY	MP1Axx
<p>COMPONENTS</p>				
A	1	W4 23626	MP1A03 UNLOAD END WLMT-SSPRESS	
BCDE	1	W4 23602	UNLOAD END WLMT-SSPRESS	
ABCE	2	04 23204	DRIVE ROLLER ADJ BRKT	
all	6	04 22999	TORQARM MTG ANGLE	
B	7	04 23534	TORQARM-SSPRESS CONV	
ACDE	7	04 23578	TORQARM +8-SSPRESS CONV	
ABCD	8	04 22997	TORQUEARM MTG BRKT-SSPRESS	
all	9	ALC420063	TORQUE ARM BUSHING ASSEMBLY	
ABCDE	10	06 20070	LOCKING WASHER ROLLER SHAFT	

Parts List, cont.—Conveyor Unload End Assemblies				
Used In	Item	Part Number	Description	Comments
D	17	04 20366	ROLLER BLOW PIPE MTG BRKT	
C	18	W4 23587	BRNG SUPP 8" EXT-LEFT WLDMT	
D	18	W4 23583	BRNG SUPP 24" EXT-LEFT WLDMT	
E	18	W4 23554	BRNG SUPP 35" EXT-LEFT WLDMT	
C	19	W4 23587A	BRNG SUPP 8" EXT-RT WLDMT	
D	19	W4 23583A	BRNG SUPP 24" EXT-RT WLDMT	
E	19	W4 23554A	BRNG SUPP 35" EXT-RT WLDMT	
C	20	04 23588	8" ENTEND DRIP PAN	
D	20	04 23584	24" ENTEND DRIP PAN	
E	20	04 23556	35" ENTEND DRIP PAN	
C	21	04 23585	UNLOADEND BELT SUPP-8"EXT	
D	21	04 20365	CAKE SUPPORT BED	
E	21	04 23555	BELT SUPPORT 35" EXTENSION	
C	22	04 23589	8" PRESS EXT. DOUBLER PLATE	
D	22	W4 23586	24" EXT DBL PLATE WLDMT-LEFT	
E	22	04 23557	PRESS EXTENSION DOUBLER PLATE	
D	23	W4 23586A	24" EXT DBL PLATE WLDMT-RT	
ACDE	24	04 20356	UNLOADEND LEG-SSPRESS CONV+35L	
ACDE	25	W4 20358	FOOTPAD WLMT-UNLOADEND SSPRESS	
ACDE	26	15U400	LOCKWASHER MEDIUM 1" ZINCPL	
ACDE	27	15G250	HXNUT 1-8UNC2B SAE ZNC GR2	
all	30	15K033	BUTSOKCAPSCR 1/4-20X5/8 SS18-8	
all	31	15N186	HXCAPSCR 1/4-20X3/4 SS18-8	
all	32	15K041S	HEXCAPSCR 1/4-20UNC2AX1 SS18-8	
all	33	15U188	FLTWASH 1/4 STD COMM SS18-8	
all	34	15G164NE	HEXLOKNUT NYL 1/4-20 UNC2A SS.	
all	35	15A008	CARBOLT 1/4"-20UNC2X1" SS18-8	
all	36	04 20616	CONLO.BELT WASHER	
all	37	15K052	HXCAPSCR 5/16-18UNC2AX3/4 SS18	
all	38	15U200S	FLATWASHER US STD 5/16 SS18-8	
all	39	15U205	LOCKWASHER MEDIUM 5/16" 18-8SS	
all	40	15G186	HEXNUT 5/16-18UNC2 SS18-8	
all	41	15K096	HEXCAPSCR 3/8-16UNC2X1SS18-8	
all	42	15U260	LOCKWASHER MEDIUM 3/8 SS18-8	
all	43	15G206B	HEXNUT 3/8-16UNC2 BRASS	
all	44	15G201	HXLOKNUT 3/8-16 NYL/SS TYPE NE	



# Conveyor Unload End Assemblies

MP1540, MP1556, MP1640, MP1656, MP1A50, MP1556, MP1640, MP1656, MP1A50, MP1556, MP1640, MP1656

BMP110010/2020275B  
(8 / 8)



**Pellerin Milnor Corporation**  
P. O. Box 400, Kenner, LA 70063-0400

Litho in U.S.A.

Used In	Item	Part Number	Description	Comments
	<p><b>Parts List—Conveyor Unload End Assemblies</b> Find the correct assembly first, then find the needed components. The item letters (A, B, C, etc.) assigned to assemblies are referred to in the "Used In" column to identify which components belong to an assembly. The item numbers (1, 2, 3, etc.) assigned to components relate the parts list to the illustration.</p>			
all	45	15A010	CARRSCR 3/8-16UNC2X1 SPECIAL	
all	46	15K112	HXCAPSCR 3/8-16X1+1/2 SS18-8	
all	47	15A021S	CARBOLT 3/8-16X1.5 SS18-8	
all	48	15K203S	HEXTAPSCR 1/2-13UNC2AX5 SS18-8	
all	49	15U300	LOKWASHER REGULAR 1/2 ZINC PLT	
all	50	15G234B	HEXNUT 1/2-13UNC2B BRASS	
all	51	15K144C	HEXCAPSCR 7/16-14UNC X 2.5 GR	
all	52	15G222	HXFJNUT 7/16-14UNC2B ZINC	
all	53	15G222C	HEXNUT 7/16-14UNC2B ZINC GR2	
all	54	15U271	LOKWASH INTOOTH 7/16ZN	
all	55	15U312	HARD FWASH 3/4ODX33/64IDX.115	
all	56	15U202	FLATWSHR.50ID1.75OD11GA ZNC	
all	57	60B065	RUBBER MNT CTR BONDED 40 DURO	
all	58	04 20796	SLEEVE=TORQUE ARM BUSHING	
all	59	02 18571A	PISTON ROD WASHER-.25"TK	
all	60	15U490	FLTWASH 1+1/2X17/32X1/4 ZINC	
G	61	X4 23224	CONV ROLLER SHAFT-1.44DRIVE	
F	61	X4 21090	DRIVE ROLLER SHAFT-51W BED	
G	62	54C006	VGORPXTLAGDRMPULLY#D5S40XT20	
F	62	54C006A	VGORPXTLAGDRMPULLY#T5S48XT20	
GF	63	54C006XTB	VGORP XT BUSH 1 15/16 B#XTB20X	
JH	64	X4 23126	TRACKING ROLLER BUSHING S/S	
J	65	X4 23126A	TUBING 2" OD X 42.00 LG 304 SS	
H	65	X4 21093	TUBING 2"OD X 51.00LG 304SS	
J	66	X4 23109	IDLER SHAFT .75DX45.50LG	
H	66	X4 21091	IDLER SHAFT.75DX54.50LG	
JH	67	54JH10625S	SHFTCOL 5/8X1+5/16X.437 SS C-T	
JH	68	54J10625S2	SHFCOL 5/8X1+5/16X.437 2PC SS	
JH	69	54AB75001	BALBRG.75X1.625X.437#SSR122RS	
K	71	X4 23433	TENSION ROLLER 2.50D-ER14 BRNG	
K	72	X4 23434	TENSION ROLLER SHAFT-SS BRNG	
K	73	54AB25001	BALBRG 25X52X15MM-#SS62052RS	

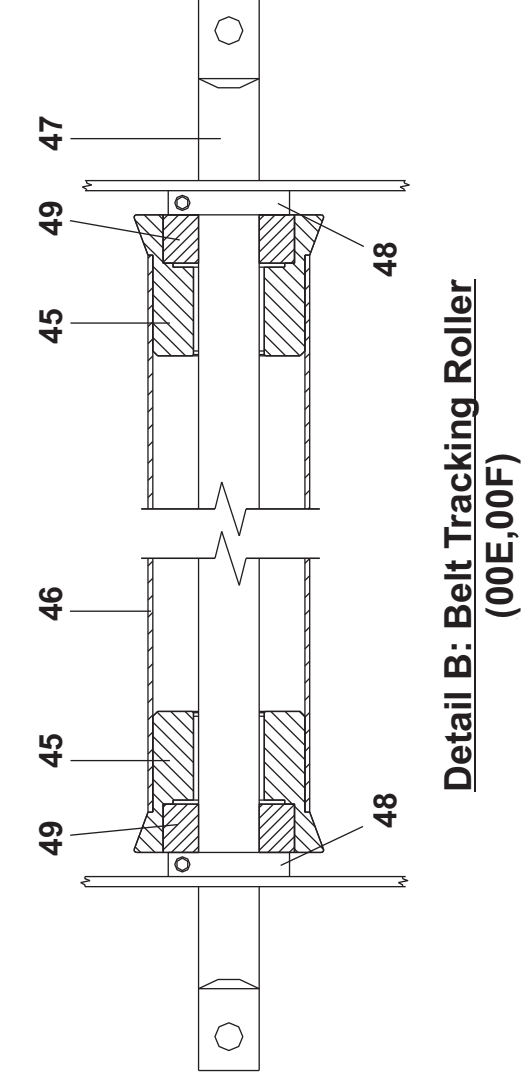
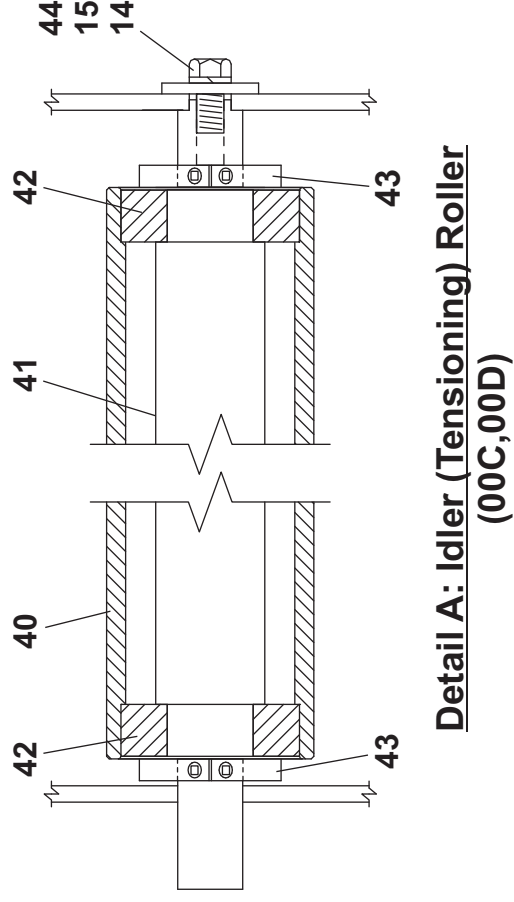
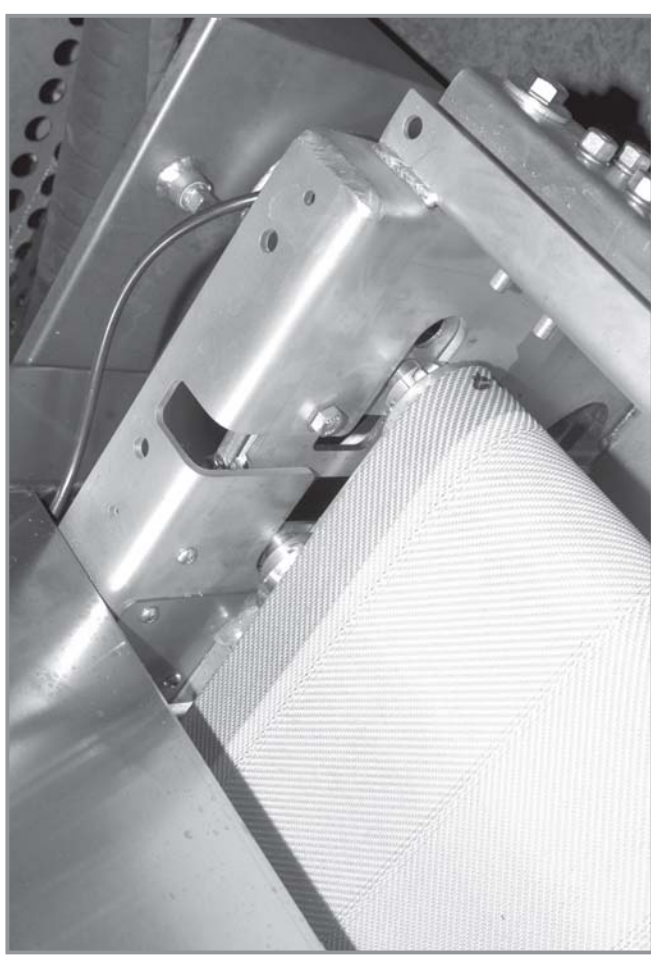
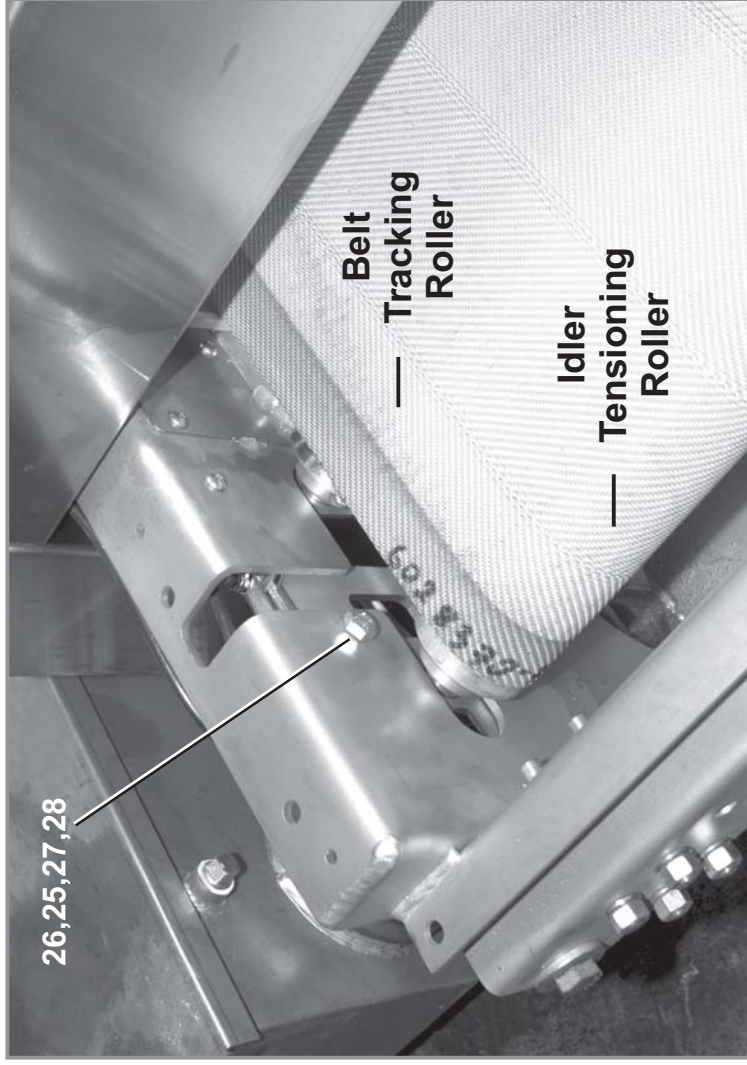
Used In		Item	Part Number	Description	Comments
K		74	54JH10750S	SHFTCOL 3/4X1+1/2X.5 SS C-T	
K		75	15K083S	HXCAPSCR 3/8-16NCX1/2 SS18-8	
K		76	15U245	FLTWASH 3/8 STD COMM 18-8 SS	
all		77	W2 21162A	SUPPLY 5COMP WLMT=4232 LF MNT	
all		78	W2 21162	*SUPPLY 5COMP WLMT=4232F	
all		80	W4 21162	ROLLER SIDE GUARD WLMT-RT	
all		81	W4 21162A	ROLLER SIDE GUARD WLMT-LF	
L		82	04 21118	UHMW ROLLER WIPER 42W	
M		82	04 21167	ROLLER WIPER BRKT-51W	
L		83	04 21119	ROLLER WIPER STRAP-42W	
M		83	04 21168	UHMW ROLLER WIPER 51W	
L		84	04 21120	ROLLER WIPER BRKT-42W	
M		84	04 21169	ROLLER WIPER STRAP-51W	
all		86	15U310	LOKWASHER REGULAR 1/2 SS18-8	
all		87	15K086	HXCAPSCR 3/8-16NCX3/4 SS18-8	
all		88	03 BC2X3P	BRKT=1STG PRESS PHOTOEYE+CVR	
all		89	09RPE010E	P.E. EMITTER AC #SM303E W/30'	
all		90	03 BZ0204	BRKT=PHOTOEYE SSPRESS CONV	
all		91	09RPE010R	PHOTOEYE RECEIVER AC	

**Load End Rollers & Belt Tracking**  
**MP1540, MP1556, MP1640, MP1656, MP1A50, MP1556, MPL640, MPL656**

BMP110011/2020275B  
 (1/4)

**MILNOR**  
 Pellerin Milnor Corporation  
 P. O. Box 400, Kenner, LA 70063-0400

Litho in U.S.A.



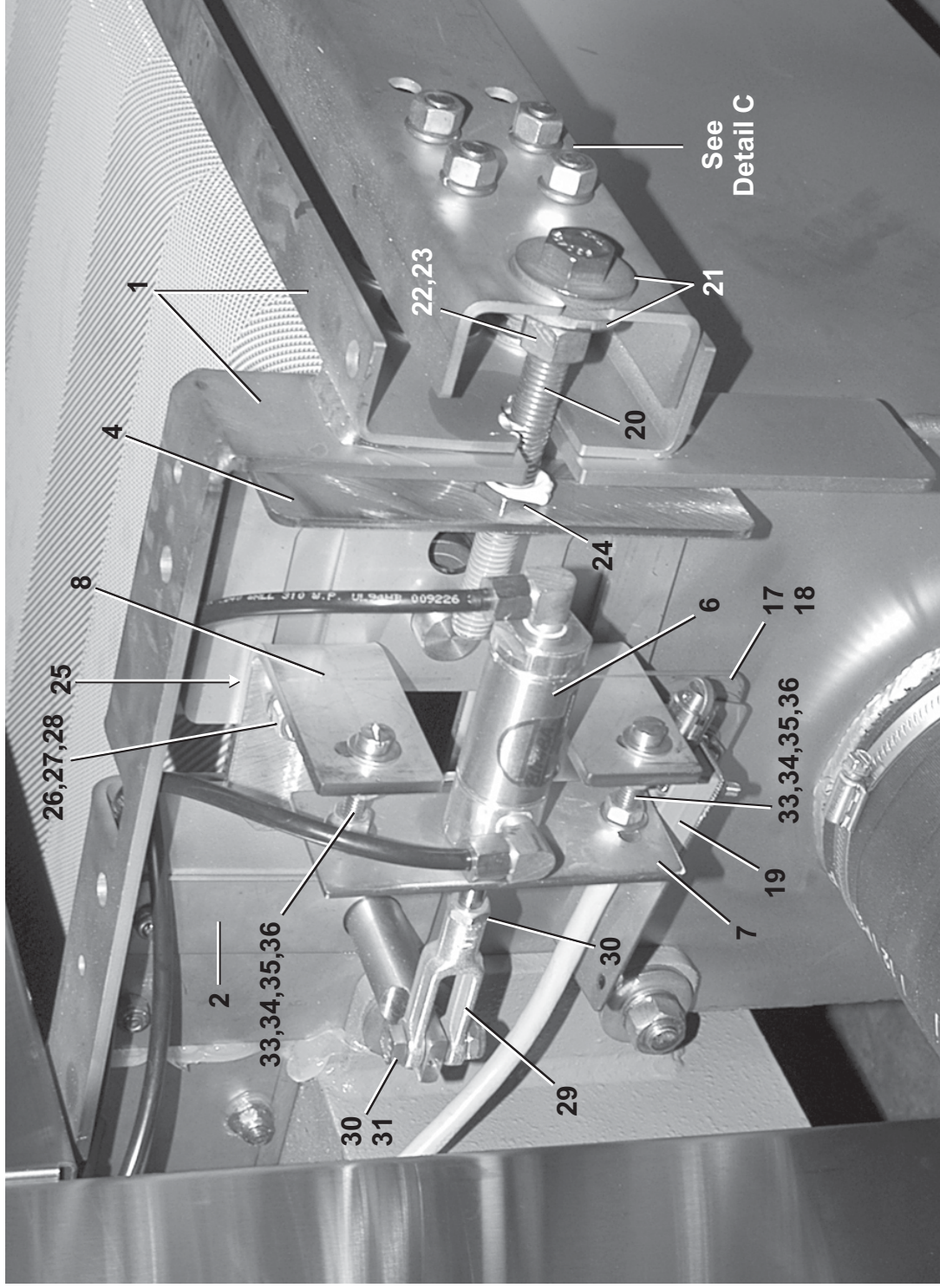
**Load End Rollers & Belt Tracking**  
**MP1540, MP1556, MP1640, MP1656, MP1A50, MP1556, MPL640, MPL656**

BMP110011/2020275B  
 (2 / 4)

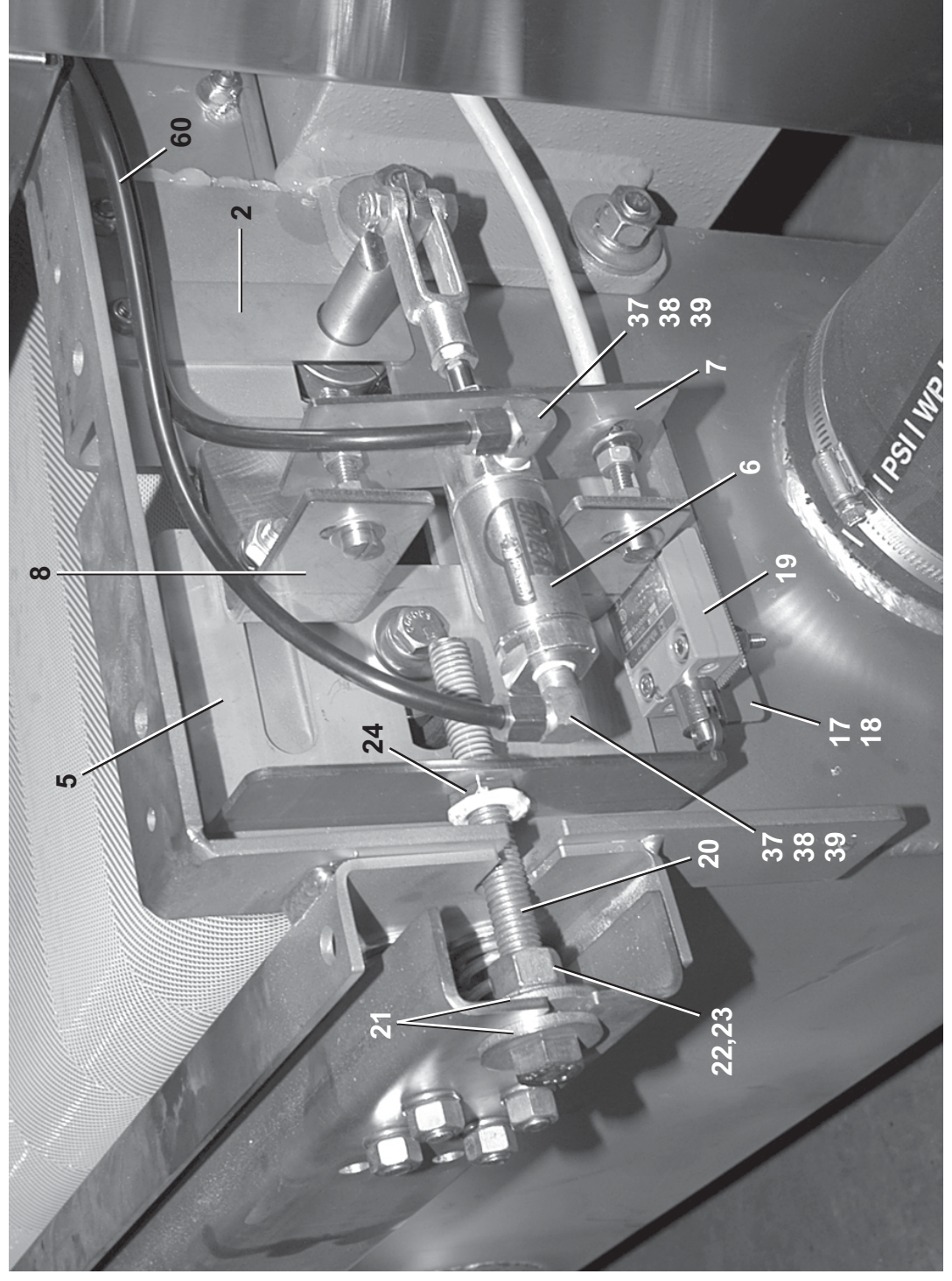


Pellerin Milnor Corporation  
 P. O. Box 400, Kenner, LA 70063-0400

Litho in U.S.A.



**Load End Rollers  
 & Belt Tracking**



# Load End Rollers & Belt Tracking

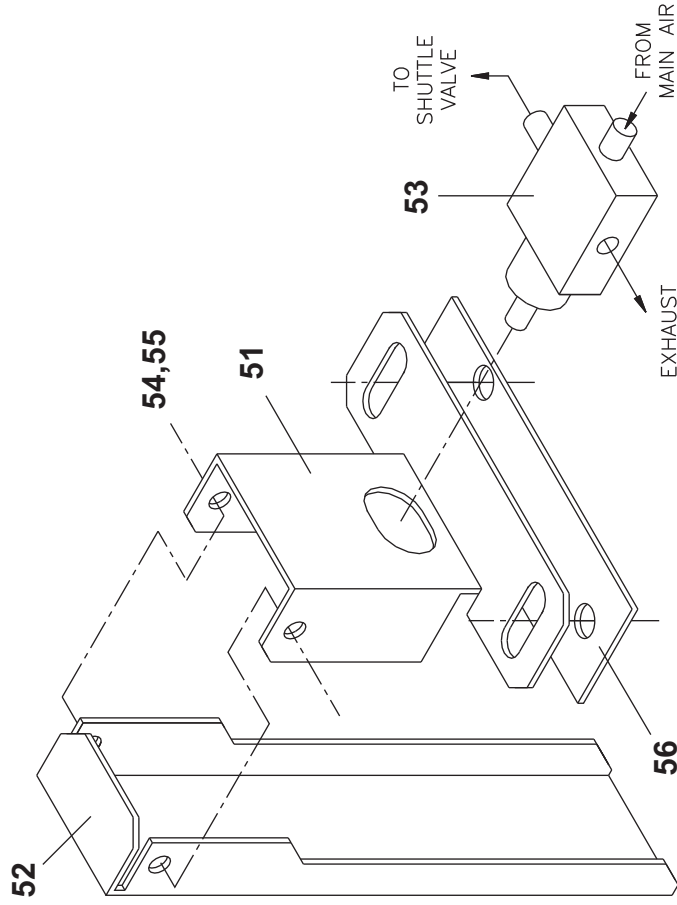
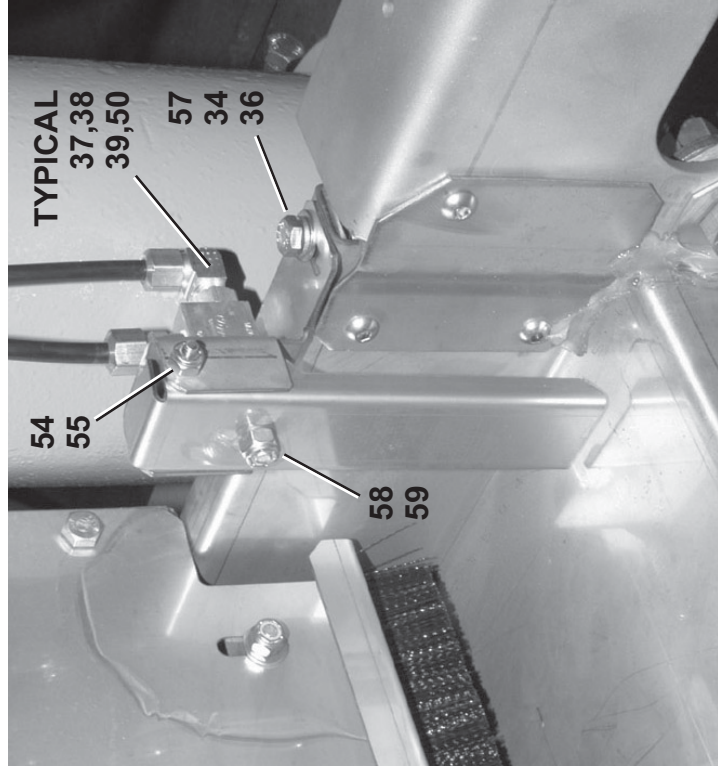
MP1540, MP1556, MP1640, MP1656, MP1A50, MP1A55, MP1A56, MP1A58, MP1A59, MP1A60, MP1A61, MP1A62, MP1A63, MP1A64, MP1A65, MP1A66, MP1A67, MP1A68, MP1A69, MP1A70, MP1A71, MP1A72, MP1A73, MP1A74, MP1A75, MP1A76, MP1A77, MP1A78, MP1A79, MP1A80, MP1A81, MP1A82, MP1A83, MP1A84, MP1A85, MP1A86, MP1A87, MP1A88, MP1A89, MP1A90, MP1A91, MP1A92, MP1A93, MP1A94, MP1A95, MP1A96, MP1A97, MP1A98, MP1A99, MP1A100



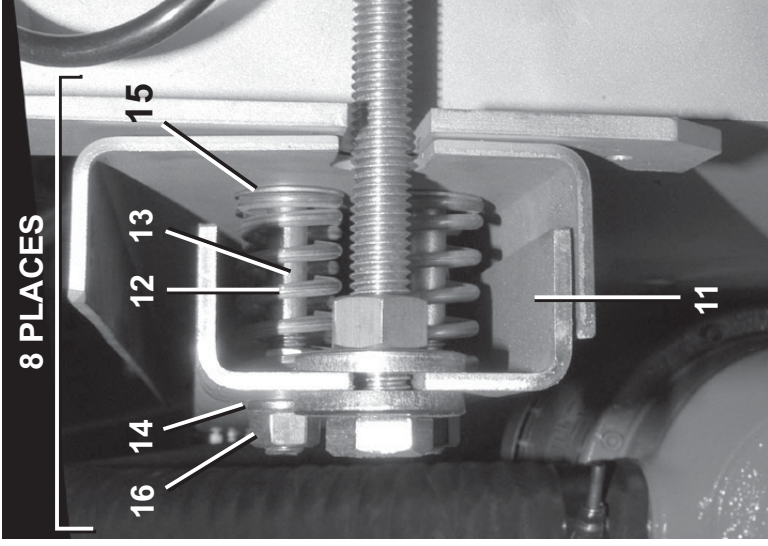
Pellerin Milnor Corporation  
P. O. Box 400, Kenner, LA 70063-0400

BMP110011/2020275B  
(3 / 4)

Litho in U.S.A.



**DETAIL D: BELT TRACKING SWITCH**



**DETAIL C: TENSION BAR**



**Detail D: Photo Eye**

Find the correct assembly first, then find the needed components. The item letters (A, B, C, etc.) assigned to assemblies are referred to in the "Used In" column to identify which components belong to an assembly. The item numbers (1, 2, 3, etc.) assigned to components relate the parts list to the illustration.

Used In	Item	Part Number	Description	Comments
			-----ASSEMBLIES-----	
	A	ALC420178	LOADEND IDLER ASSEMBLY	MP15xx, MP16xx MPL5xx, MPL6xx
	B	ALC420185	LOADEND IDLER 51W ASSEMBLY	MP1Axx
	C	ALC50060A	TENSION ROLLER 42W SS-BRNG	MP15xx, MP16xx MPL5xx, MPL5xx
	D	ALC50122	TENSION ROLLER 51W-SS BRNG	MP1Axx
	E	ALC50065	BELT TRACKING ROLLER-SSPRESS	MP15xx, MP16xx MPL5xx, MPL6xx
	F	ALC50121	BELT TRACKING ROLLER-51W	MP1Axx
	G	ALC420100	BELT TRACKING SWITCH ASSY	
			-----COMPONENTS-----	
A	1	W4 23615	LOAD END WLMT-SSPRESS	
B	1	W4 23624	MP1A03 LOAD END WLMT-SSPRESS	
all	2	04 23205B	TRACK ROLLER SUPPORT PLATE	
A	3	04 23203	LOADEND CROSS BRACE	
B	3	04 21088	LOADEND CROSS BRACE-51W BED	
all	4	04 20568	TENSION ROLLER ADJ BRKT-LF	
all	5	04 20568A	TENSION ROLLER ADJ BRKT-RT	
all	6	27C211	AIRCYL1+1/16BOREX1/2"STK DBL	
all	7	04 23214	BELT TRACKING CYL MTG BRKT	
all	8	04 23215	BELT TRACKING BRKT	
all	9	04 23232	BELT TRACKING COVER-RT	
all	10	04 23232A	BELT TRACKING COVER-LEFT	
A	11	04 20570	BELT TENSIONING BAR	
B	11	04 21089	BELT TENSION BAR-51W BED	
all	12	02 18187	SPRING=OUTER DOOR 60 WEHU	
all	13	04 20571	STUD 3/8-16UN X 3.25LG	
all	14	15U260	LOCKWASHER MEDIUM 3/8 SS18-8	
all	15	15U245	FLTWASH 3/8 STD COMM 18-8 SS	
all	16	15G206B	HEXNUT 3/8-16UNC2 BRASS	
all	17	04 20596	BELT STOP SW.MTG BRKT-SSPRESS	
all	18	04 20597	BELT STOP SW MTG PLATE	

# Load End Rollers & Belt Tracking

## MP1540, MP1556, MP1640, MP1656, MP1A50, MPL556, MPL640, MPL656

BMP110011/2020275B  
(4 / 4)



**Pellerin Milnor Corporation**  
P. O. Box 400, Kenner, LA 70063-0400

Litho in U.S.A.

Used In	Item	Part Number	Description	Comments
all	21	15U310S	FLATWASH-SS .53 X 1.37 .187T	
all	22	15U310	LOKWASHER REGULAR 1/2 SS18-8	
all	23	15G234B	HEXNUT 1/2-13UNC2B BRASS	
all	24	15G225H	HEXFLGNUT 1/2-13 SERRATED 18-8	
all	25	15G214SS	HXJAMNUT 3/8-16UNC 18-8 SS	
all	26	15K100	HEXCAPSCR 3/8-16X1+1/4 SS18-8	
all	29	17A007	ADJ YOKE END-CAD 5/16-24NF #27	
all	30	15G191	HXFINJAMNUT 5/16-24UNC2 ZINC G	
all	31	15K062	HEXCAPSCR 5/16-18X1 18-8SS	
all	32	15G193	HEXLOKNUT 5/16-18UNC2A NYL STL	
all	33	15N200	FILMACSCR 1/4-20UNCX2 SS18-8 S	
all	34	15U188	FLTWASH 1/4 STD COMM SS18-8	
all	35	15U181	LOCKWASHER MEDIUM 1/4 SS18-8	
all	36	15G164NE	HEXLOKNUT NYL 1/4-20 UNC2A SS.	
all	37	53A031B	BODY-EL90MALE.25X1/8 #269C-42B	
all	38	53A500	SLEEVE DELRIN 1/4"OD#60PT-4	
all	39	53A501	TUBE INSERT .163"OD #63PT-4-40	
A	40	X4 23433	TENSION ROLLER 2.50D-ER14 BRNG	
B	40	X4 21094	TENSION ROLLER 2.38DX51.75LG	
A	41	X4 23434	TENSION ROLLER SHAFT-SS BRNG	
B	41	X4 21095	TENSION ROLL SHAFT 1"0DX55"LG	
all	42	54AB25001	BALBRG 25X52X15MM-#SS62052RS	
all	43	54JH10750S	SHFTCOL 3/4X1+1/2X.5 SS C-T	
all	44	15K083S	HXCAPSCR 3/8-16NCX1/2 SS18-8	
all	45	X4 23126	TRACKING ROLLER BUSHING S/S	
all	46	X4 23126A	TUBING 2" OD X 42.00 LG 304 SS	
all	46	X4 21093	TUBING 2"OD X 51.00LG 304SS	
A	47	X4 23109B	TRACKING SHAFT .75DX50.25LG	
B	47	X4 21092	TRACKING SHAFT .75DX59.25LG	
all	49	54AB75001	BALBRG.75X1.625X.437#SSR122RS	
all	50	53A059A	NUT 1/4"BR.HOLYOKE AND #61A-4	

Parts List, cont.—Load End Rollers & Belt Tracking				
Used In	Item	Part Number	Description	Comments
all	51	04 23217	BELT TRACKING SWITCH BRKT	
all	52	04 23219	BELT TRACKING ACTUATOR	
all	53	96N005	3WAY AIROP CONT.VLV.CLIPP#MJV3	
all	54	15N154A	PHILPSHDMACHSCR 10-24 X2" 18-8	
all	55	15G126	HXLOCKNUT NYLON 10-24 UNC SS N	
all	56	X4 23218	BELT TRACKING TAP STRIP	
all	57	15K033	BUTSOKCAPSCR 1/4-20X5/8 SS18-8	
all	58	15N174	HXCAPSCR 1/4-20UNC2X5/8SS18-8	
all	59	15U342	FLTWASH .255/.260IDX.750DX.125	
all	60	60E004TE	1/4"OD X.170"ID NYL(BLK)TUBING	
all	61	09RPE010E	P.E. EMITTER AC #SM303E W/30'	
all	62	09RPE010R	PHOTOEYE RECEIVER AC	