

Published Manual Number/ECN: MTPP2S01UU/2018234A

- Publishing System: TPAS2
- Access date: 06/07/2018
- Document ECNs: Latest

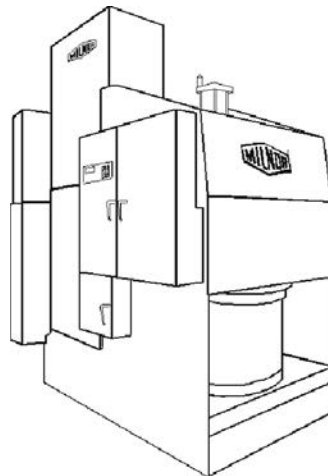


MP2501_, MP2601_, MP2606_



WARNING
Read this guide
before
installing,
operating, or
servicing the
equipment.

ADVERTENCIA
Lea este
manual antes
de instalar, de
funcionar, o de
mantener el
equipo.



MTPP2S01UU/18234A

1	1. English	
3	Safety Guide—Two Stage Membrane Press	MTPP2S01EN/20180514
21	2. Español	
23	Guía de seguridad—Prensa de membrana de dos etapas	MTPP2S01ES/20180514

English

1



Published Manual Number: MTPP2S01EN

- Specified Date: 20180514
- As-of Date: 20180514
- Access Date: 20180514
- Depth: Detail
- Custom: n/a
- Applicability: PP2
- Language Code: ENG01, Purpose: publication, Format: 1colA

Safety Guide—

Two Stage Membrane Press



Applicable Milnor® products by model number:

MP2501CL MP2501CR MP2501L- MP2501R- MP2601CL MP2601CR MP2601L-
MP2601R- MP2606CL MP2606CR MP2606L- MP2606R-

Table of Contents

Sections	Figures, Tables, and Supplements
<p>1. General Safety Requirements—Vital Information for Management Personnel (Document BIUUUS04)</p> <p>1.1. Laundry Facility</p> <p>1.2. Personnel</p> <p>1.3. Safety Devices</p> <p>1.4. Hazard Information</p> <p>1.5. Maintenance</p>	
<p>2. Internal Electrical and Mechanical Hazards (Document BIUUUS24)</p> <p>2.1. Safety Placards—Internal Electrical and Mechanical Hazards (Document BIUUUS18)</p> <p>2.2. Safety Alert Messages—Internal Electrical and Mechanical Hazards (Document BIUUUS11)</p>	<p>Figure 1: Internal Electrical and Mechanical Hazards—Electricity</p> <p>Figure 2: Internal Electrical and Mechanical Hazards—Moving Parts Behind Guards and Covers</p> <p>Figure 3: Internal Electrical and Mechanical Hazards—Utilities and Residual Energy</p> <p>Figure 4: Internal Electrical and Mechanical Hazards—Descending Press Bell / Tamper</p>
<p>3. External Mechanical Hazards (Document BIUUUS25)</p> <p>3.1. Safety Placards—External Mechanical Hazards (Document BIUUUS19)</p> <p>3.2. Safety Alert Messages—External Mechanical Hazards (Document BIUUUS12)</p>	<p>Figure 5: External Mechanical Hazards—Machine Travel Along a Path</p>
<p>4. Safety Alert Messages—Unsafe Conditions (Document BIUUUS14)</p> <p>4.1. Damage and Malfunction Hazards</p> <p>4.1.1. Hazards Resulting from Inoperative Safety Devices</p> <p>4.1.2. Hazards Resulting from Damaged Mechanical Devices</p> <p>4.2. Careless Use Hazards</p>	

Sections	Figures, Tables, and Supplements
4.2.1. Careless Operation Hazards—Vital Information for Operator Personnel (see also operator hazards throughout manual)	
4.2.2. Careless Servicing Hazards—Vital Information for Service Personnel (see also service hazards throughout manuals)	
5. Proximity Safeguarding for Automatic Shuttle Conveyors (Document BISUUI01)	
5.1. Applicability	
5.2. References for Proximity Safeguarding	
5.3. Hazards To Personnel in Proximity to Shuttle Conveyors	
5.4. How Milnor Accommodates Proximity Safeguarding	
5.5. Examples of Safety Fencing With Interlocked Gates	Figure 6: Example Fence Layout for Automated Laundering System Where One Tunnel Serves a Bank of Dryers
	Figure 7: Example Fence Layout for Automated Laundering System Where Two Tunnels Serve a Bank of Dryers
5.5.1. Fence Dimensions	
5.5.2. Fence Materials and Setback	
5.5.3. Gates	
5.5.4. Control Circuitry	
5.5.5. System Emergency Stop Switches	
5.5.6. Isolating Individual Machine Controls	
5.5.7. Recommended Signage	
6. Wiring Safety Fence Gate Interlocks on Milnor® Shuttles, Presses and Centrifugal Extractors (Document BISUUI02)	
6.1. Precautions	
6.2. Wiring Guidelines	
6.3. Testing	
6.3.1. Testing Gate Interlocks	
6.3.2. Testing Three-wire Circuit Components on Each Interlocked Machine	Table 1: Typical Three-wire Circuit Components

1. General Safety Requirements—Vital Information for Management Personnel

Incorrect installation, neglected preventive maintenance, abuse, and/or improper repairs, or changes to the machine can cause unsafe operation and personal injuries, such as multiple fractures, amputations, or death. The owner or his selected representative (owner/user) is responsible for understanding and ensuring the proper operation and maintenance of the machine. The owner/user must familiarize himself with the contents of all machine instruction manuals. The owner/user should direct any questions about these instructions to a Milnor® dealer or the Milnor® Service department.

Most regulatory authorities (including OSHA in the USA and CE in Europe) hold the owner/user ultimately responsible for maintaining a safe working environment. Therefore, the owner/user must do or ensure the following:

- recognize all foreseeable safety hazards within his facility and take actions to protect his personnel, equipment, and facility;
- work equipment is suitable, properly adapted, can be used without risks to health or safety, and is adequately maintained;
- where specific hazards are likely to be involved, access to the equipment is restricted to those employees given the task of using it;
- only specifically designated workers carry out repairs, modifications, maintenance, or servicing;
- information, instruction, and training is provided;
- workers and/or their representatives are consulted.

Work equipment must comply with the requirements listed below. The owner/user must verify that installation and maintenance of equipment is performed in such a way as to support these requirements:

- control devices must be visible, identifiable, and marked; be located outside dangerous zones; and not give rise to a hazard due to unintentional operation;
- control systems must be safe and breakdown/damage must not result in danger;
- work equipment is to be stabilized;
- protection against rupture or disintegration of work equipment;
- guarding, to prevent access to danger zones or to stop movements of dangerous parts before the danger zones are reached. Guards to be robust; not give rise to any additional hazards; not be easily removed or rendered inoperative; situated at a sufficient distance from the danger zone; not restrict view of operating cycle; allow fitting, replacing, or maintenance by restricting access to relevant area and without removal of guard/protection device;
- suitable lighting for working and maintenance areas;
- maintenance to be possible when work equipment is shut down. If not possible, then protection measures to be carried out outside danger zones;
- work equipment must be appropriate for preventing the risk of fire or overheating; discharges of gas, dust, liquid, vapor, other substances; explosion of the equipment or substances in it.

1.1. Laundry Facility

Provide a supporting floor that is strong and rigid enough to support—with a reasonable safety factor and without undue or objectionable deflection—the weight of the fully loaded machine and the forces transmitted by it during operation. Provide sufficient clearance for machine movement.

Provide any safety guards, fences, restraints, devices, and verbal and/or posted restrictions necessary to prevent personnel, machines, or other moving machinery from accessing the machine or its path. Provide adequate ventilation to carry away heat and vapors. Ensure service connections to installed machines meet local and national safety standards, especially regarding the electrical disconnect (see the National Electric Code). Prominently post safety information, including signs showing the source of electrical disconnect.

1.2. Personnel

Inform personnel about hazard avoidance and the importance of care and common sense. Provide personnel with the safety and operating instructions that apply to them. Verify that personnel use proper safety and operating procedures. Verify that personnel understand and abide by the warnings on the machine and precautions in the instruction manuals.

1.3. Safety Devices

Ensure that no one eliminates or disables any safety device on the machine or in the facility. Do not allow machine to be used with any missing guard, cover, panel or door. Service any failing or malfunctioning device before operating the machine.

1.4. Hazard Information

Important information on hazards is provided on the machine safety placards, in the Safety Guide, and throughout the other machine manuals. **Placards must be kept clean so that the information is not obscured. They must be replaced immediately if lost or damaged. The Safety Guide and other machine manuals must be available at all times to the appropriate personnel.** See the machine service manual for safety placard part numbers. Contact the Milnor Parts department for replacement placards or manuals.

1.5. Maintenance

Ensure the machine is inspected and serviced in accordance with the norms of good practice and with the preventive maintenance schedule. Replace belts, pulleys, brake shoes/disks, clutch plates/tires, rollers, seals, alignment guides, etc. before they are severely worn. Immediately investigate any evidence of impending failure and make needed repairs (e.g., cylinder, shell, or frame cracks; drive components such as motors, gear boxes, bearings, etc., whining, grinding, smoking, or becoming abnormally hot; bending or cracking of cylinder, shell, frame, etc.; leaking seals, hoses, valves, etc.) Do not permit service or maintenance by unqualified personnel.

— End of BIUUUS04 —

2. Internal Electrical and Mechanical Hazards

2.1. Safety Placards—Internal Electrical and Mechanical Hazards

[Document BIUUUS18]

One or more safety placards on the machine, similar to the following, alert personnel to hazards inside the machine and in electrical enclosures.

Figure 1: Internal Electrical and Mechanical Hazards—Electricity

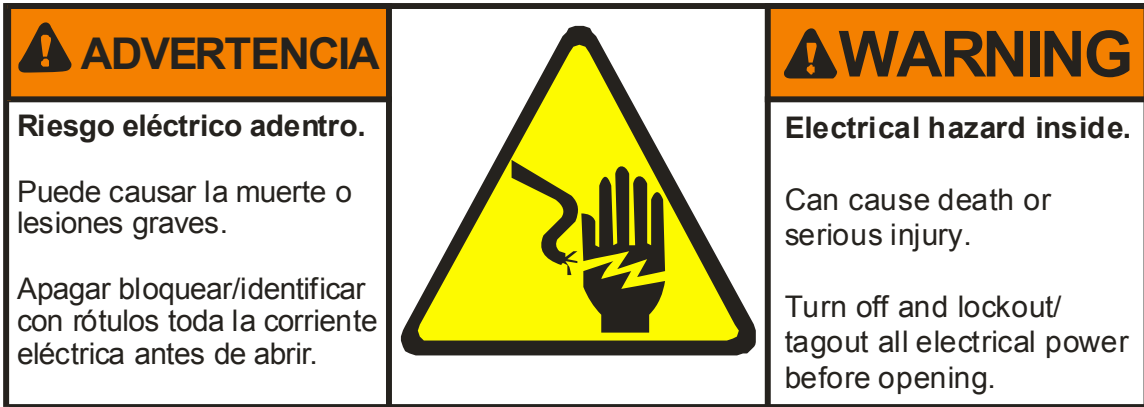



Figure 2: Internal Electrical and Mechanical Hazards—Moving Parts Behind Guards and Covers



Figure 3: Internal Electrical and Mechanical Hazards—Utilities and Residual Energy

⚠ ADVERTENCIA		⚠ WARNING
<p>Para evitar lesiones graves antes de dar servicio o limpiar:</p> <ul style="list-style-type: none"> ● Desconectar todos los servicios como aire, vapor, gas y electricidad. ● Descargar cualquier aire residual. ● Permitir que enfríen las piezas calientes. 		<p>To prevent serious injury, before servicing or cleaning:</p> <ul style="list-style-type: none"> ● Disconnect all utilities such as air, steam, gas, and electricity. ● Release any residual air. ● Allow heated parts to cool.

Figure 4: Internal Electrical and Mechanical Hazards—Descending Press Bell / Tamper

⚠ ADVERTENCIA		⚠ WARNING
<p>Riesgo de aplastamiento.</p> <p>La campana y el pisón principal pueden bajar repentinamente con la energía ENCENDIDA o APAGADA y causar lesiones graves o la muerte.</p> <p>No colocar ninguna parte del cuerpo abajo de la campana o pisón principal durante el funcionamiento.</p> <p>Cuando es necesario dar servicio o limpiar, primero debe asegurar los soportes de seguridad y bloquear/identificar con rótulos la máquina.</p>		<p>Crush hazard.</p> <p>Main bell and tamper can lower suddenly with power ON or OFF and cause serious injury or death.</p> <p>Do not put any part of your body under main bell or tamper while in operation.</p> <p>If servicing or cleaning is necessary, first secure safety supports and lockout/tagout machine.</p>

2.2. Safety Alert Messages—Internal Electrical and Mechanical Hazards [Document BIUUUS11]

The following are instructions about hazards inside the machine and in electrical enclosures.



WARNING 1: Electrocution and Electrical Burn Hazards—Contact with electric power can kill or seriously injure you. Electric power is present inside the cabinetry unless the main machine power disconnect is off.

- Do not unlock or open electric box doors.
- Do not remove guards, covers, or panels.
- Do not reach into the machine housing or frame.

- Keep yourself and others off of machine.
- Know the location of the main machine disconnect and use it in an emergency to remove all electric power from the machine.



WARNING 2: Entangle and Crush Hazards—Contact with moving components normally isolated by guards, covers, and panels, can entangle and crush your limbs. These components move automatically.

- Do not remove guards, covers, or panels.
- Do not reach into the machine housing or frame.
- Keep yourself and others off of machine.
- Know the location of all emergency stop switches, pull cords, and/or kick plates and use them in an emergency to stop machine motion.



WARNING 3: Crush and Entrap Hazards—The main bell will crush your body or limbs if it descends while you are under it. The tamper can crush or entrap you if it descends while you are under it. Bell and tamper can descend with power off or on.

- Do not reach into the machine housing or frame.
- Use the factory supplied gaff-hook to move objects inside the housing.

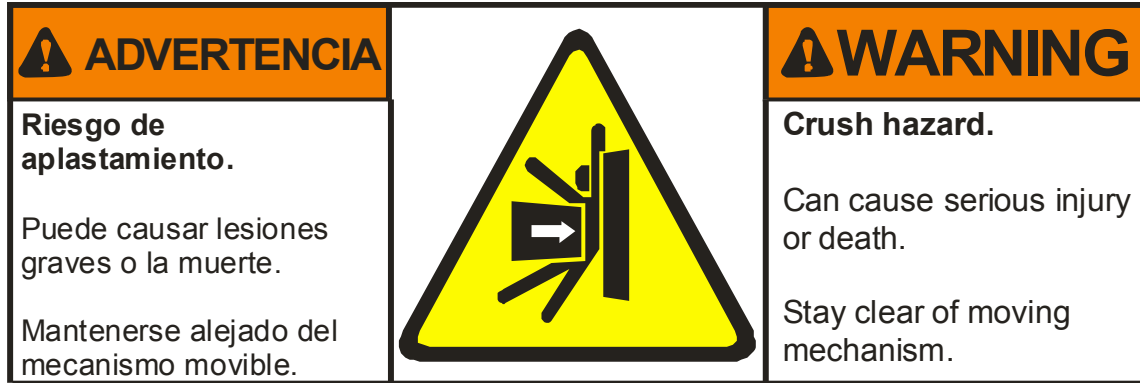
— End of BIUUUS24 —

3. External Mechanical Hazards

3.1. Safety Placards—External Mechanical Hazards [Document BIUUUS19]

One or more safety placards on the machine, similar to the following, alert personnel to hazards around the front, sides, rear or top of the machine.

Figure 5: External Mechanical Hazards—Machine Travel Along a Path



3.2. Safety Alert Messages—External Mechanical Hazards [Document BIUUUS12]

The following are instructions about hazards around the front, sides, rear or top of the machine.



WARNING 4: Crush Hazards—Spaces between the press and the receiving conveyor can close and crush or pinch your limbs. The sled extends to discharge goods onto the receiving conveyor (COINC) and some COINCS pivot to discharge.

- Do not reach into the machine housing or frame.
- Keep yourself and others clear of movement areas and paths.

— End of BIUUUS25 —

4. Safety Alert Messages—Unsafe Conditions

4.1. Damage and Malfunction Hazards

4.1.1. Hazards Resulting from Inoperative Safety Devices



WARNING [5]: Multiple Hazards—Operating the machine with an inoperative safety device can kill or injure personnel, damage or destroy the machine, damage property, and/or void the warranty.

- Do not tamper with or disable any safety device or operate the machine with a malfunctioning safety device. Request authorized service.



WARNING [6]: Electrocutation and Electrical Burn Hazards—Electric box doors—Operating the machine with any electric box door unlocked can expose high voltage conductors inside the box.

- Do not unlock or open electric box doors.



WARNING [7]: Entangle and Crush Hazards—Guards, covers, and panels—Operating the machine with any guard, cover, or panel removed exposes moving components.

- Do not remove guards, covers, or panels.

4.1.2. Hazards Resulting from Damaged Mechanical Devices



WARNING [8]: Multiple Hazards—Operating a damaged machine can kill or injure personnel, further damage or destroy the machine, damage property, and/or void the warranty.

- Do not operate a damaged or malfunctioning machine. Request authorized service.

4.2. Careless Use Hazards

4.2.1. Careless Operation Hazards—Vital Information for Operator Personnel (see also operator hazards throughout manual)



WARNING [9]: Multiple Hazards—Careless operator actions can kill or injure personnel, damage or destroy the machine, damage property, and/or void the warranty.

- Do not tamper with or disable any safety device or operate the machine with a malfunctioning safety device. Request authorized service.
- Do not operate a damaged or malfunctioning machine. Request authorized service.
- Do not attempt unauthorized servicing, repairs, or modification.
- Do not use the machine in any manner contrary to the factory instructions.
- Use the machine only for its customary and intended purpose.
- Understand the consequences of operating manually.



CAUTION [10]: Goods Damage and Wasted Resources—Entering incorrect cake data causes improper processing, routing, and accounting of batches.

- Understand the consequences of entering cake data.

4.2.2. **Careless Servicing Hazards—Vital Information for Service Personnel (see also service hazards throughout manuals)**



WARNING [11]: Electrocutation and Electrical Burn Hazards—Contact with electric power can kill or seriously injure you. Electric power is present inside the cabinetry unless the main machine power disconnect is off.

- Do not service the machine unless qualified and authorized. You must clearly understand the hazards and how to avoid them.
- Abide by the current OSHA lockout/tagout standard when lockout/tagout is called for in the service instructions. Outside the USA, abide by the OSHA standard in the absence of any other overriding standard.



WARNING [12]: Entangle and Crush Hazards—Contact with moving components normally isolated by guards, covers, and panels, can entangle and crush your limbs. These components move automatically.

- Do not service the machine unless qualified and authorized. You must clearly understand the hazards and how to avoid them.
- Abide by the current OSHA lockout/tagout standard when lockout/tagout is called for in the service instructions. Outside the USA, abide by the OSHA standard in the absence of any other overriding standard.



WARNING [13]: Crush Hazards—The main bell will crush your body or limbs if it descends while you are under it. The tamper can crush or entrap you if it descends while you are under it. Bell and tamper can descend with power off or on.

- Secure both red safety stands in accordance with the instructions furnished, then lock out and tag out power at the main machine disconnect before working under the bell.
- Shut off air pressure to the tamper and brace it with wood blocking if you must work with any part of your body under the tamper.

— End of BIUUUS14 —

5. Proximity Safeguarding for Automatic Shuttle Conveyors

Proximity safeguarding—a means of preventing personnel from entering the path of a machine, such as an industrial robot, that moves within a large area.

5.1. Applicability

This document—

applies to Milnor® automated laundering systems with shuttle conveyors that move without operator intervention (automatic operation),

does not apply to shuttles that require operator input continually, such as directing all shuttle movements (manual operation).

5.2. References for Proximity Safeguarding

ANSI Z8.1-2016 “American National Standard for Commercial Laundry and Drycleaning Equipment and Operations - Safety Requirements”

OSHA Standard 29 CFR § 1910.212 “General Requirements for All Machines”

OSHA Directive STD 01-12-002 - Pub 8-1.3 “Guidelines for Robotic Safety”

ANSI/RIA R15.06-2012 “American National Standard for Industrial Robots and Robot Systems- Safety Requirements”

ANSI/ASME B15.1-2000 “Safety Standard for Mechanical Power Transmission Apparatus”

OSHA Publication 3067 “Concepts and Techniques of Machine Safeguarding”

ISO 10472-1 “Safety Requirements for Industrial Laundry Machinery”

5.3. Hazards To Personnel in Proximity to Shuttle Conveyors

Milnor automated laundering systems use automatic shuttle conveyors to transport goods among the processing machines in the system. Depending on model, an automatic shuttle conveyor may move in any of the following ways, in addition to running its conveyor belt(s):

- It may travel along (traverse) a line of machines (typically dryers).
- Its conveyor bed(s) may ascend and descend (elevate) within the machine frame.
- Its conveyor bed(s) may extend and retract within the machine frame.
- The conveyor bed and frame may pivot.
- Wet goods shuttles have a bucket that elevates and tilts.

These motions pose strike, crush, sever, and entrapment hazards to personnel in proximity to the shuttle. **For the safety of personnel, owner/users must provide proximity safeguarding that protects personnel from the moving shuttle.**

A common method of proximity safeguarding is safety fencing with interlocked gates that disable the shuttle when a gate is opened. When a shuttle is disabled, this will eventually cause other machines in the system to hold (wait for action from another machine), but it will not necessarily cause them to immediately stop moving. In the case of a tunnel system, the press or centrifugal extractor can pose additional hazards to personnel in proximity to the equipment. **Hence, the safeguards must also disable any presses or extractors.** Tunnels and dryers do not pose a significant hazard to personnel merely because they are in proximity to the equipment, and need not be automatically disabled.



WARNING [14]: Multiple Hazards—Proximity safeguarding provides only partial protection and only against injury resulting from entering the shuttle path. It is not a substitute for proper

lockout/tagout procedures and good safety practices.

- Always lockout/tagout any individual machine (or follow the published maintenance procedures) when performing maintenance or clearing a fault on that machine.
- Ensure that all personnel understand the safeguards and do not attempt to defeat them.
- Inspect safeguards weekly to ensure that they are not mechanically or electrically circumvented.

5.4. How Milnor Accommodates Proximity Safeguarding

Milnor provides connection points on shuttles, presses and centrifugal extractors for interfacing with devices such as gate interlock switches. These connection points are tagged for easy identification. When Milnor provides equipment layout drawings for an automated laundering system, it indicates on the drawing, the perimeter of the shuttle movement area that must be guarded. The following hazard statement is displayed on connection point tags as well as equipment layout drawings prepared by Milnor:



WARNING [15]: Strike, Crush, Sever, and Entrapment Hazards—Serious bodily injury or death can result to personnel in proximity to machinery/systems that traverse, elevate, extend, pivot, and/or tilt. The following mandatory minimum safety requirements must be installed with the machinery system (local codes may require additional precautions):

- Safety fence enclosing machine movement areas,
- Lockable electrical interlocks on all gates, properly interfaced as shown on machine schematics, to disable machine movement when any gate is opened,
- Signs to alert personnel to these hazards, placed prominently around the fenced area.

Although the objectives of proximity safeguarding are the same anywhere, design requirements vary with local codes (which occasionally change) and with the plant layout. For this reason, Milnor does not provide detailed designs or materials for proximity safeguarding. If the necessary expertise does not exist within the owner/user's organization, consult appropriate sources such as local engineers or architects specializing in industrial facility design.

5.5. Examples of Safety Fencing With Interlocked Gates

Fencing with interlocked gates like that depicted in [Figure 6](#) and [Figure 7](#), may be used to meet the proximity safeguarding requirement. Should the owner/user choose this method, the following information may be useful. However, **this information may not satisfy current or local code requirements. The owner/user must determine its suitability for his particular facility.**

Figure 6: Example Fence Layout for Automated Laundering System Where One Tunnel Serves a Bank of Dryers

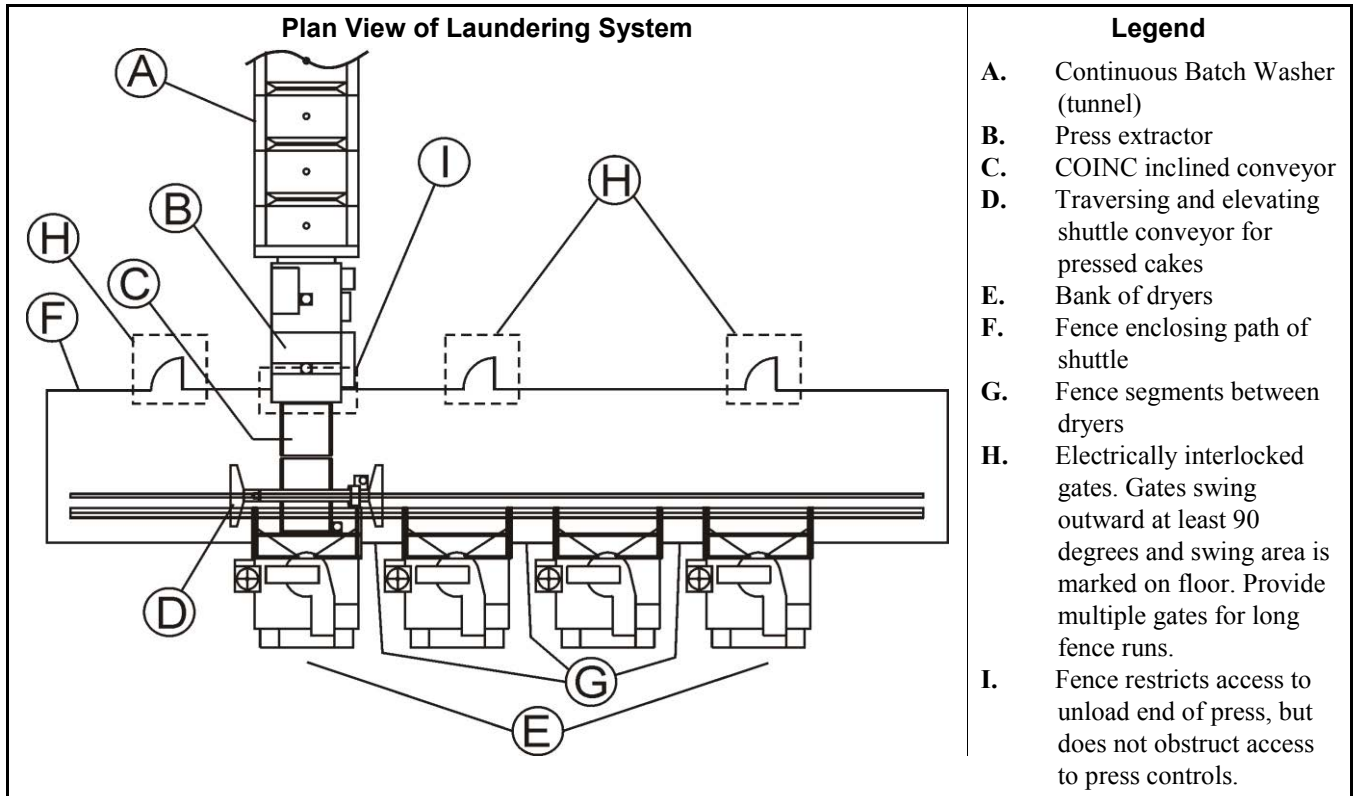
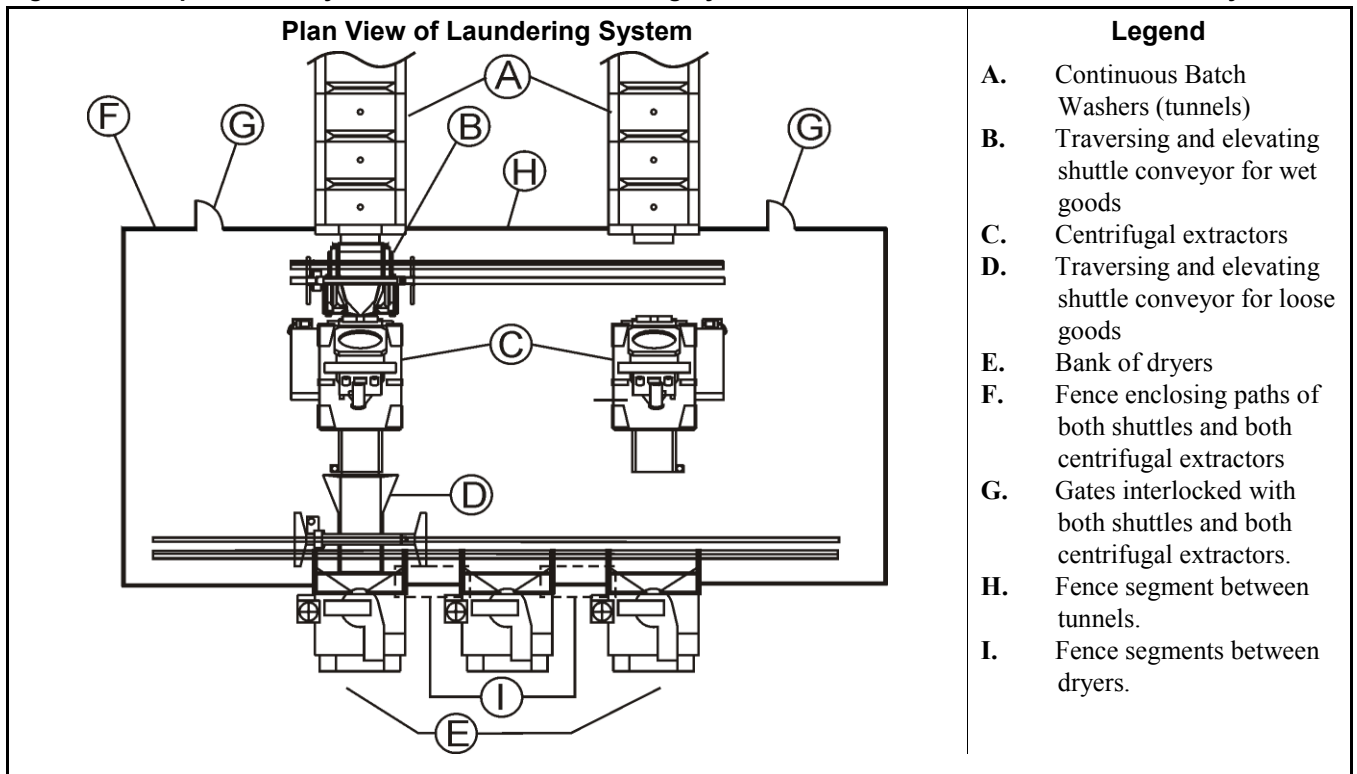


Figure 7: Example Fence Layout for Automated Laundering System Where Two Tunnels Serve a Bank of Dryers



- 5.5.1. Fence Dimensions**—The fence must discourage climbing over and prevent crawling under.
- 5.5.2. Fence Materials and Setback**—The fence must be constructed of materials and located so as to prevent personnel from reaching through gaps in the fence and contacting the enclosed machinery.
- 5.5.3. Gates**—Personnel gates must be held firmly closed but permit personnel to easily pass through when necessary. Gates must be equipped with a positive latching arrangement to prevent accidental opening. Adequate floor space must be provided to allow the gate to swing at least 90 degrees when fully open. Gates must open outward; that is, away from the fenced perimeter. The floor must be permanently marked to show the gate’s swing area, to discourage obstructing its movement.
- 5.5.4. Control Circuitry**—All gates must be electrically interlocked with any shuttle conveyors within the fenced area and with any presses or centrifugal extractors that the fence either encloses or intersects. Opening any gate must have the following effects:
1. Shuttle(s), press(es), and/or centrifugal extractor(s) stop moving immediately.
 2. An audible alarm sounds.
 3. Shuttle(s), press(es), and/or centrifugal extractor(s) cannot be restarted merely by closing the gate(s), but must be restarted at the machine control panel once the gate(s) are closed.
- Milnor shuttles, presses and centrifugal extractors provide such functionality when properly interfaced with gate interlock switches.
- 5.5.5. System Emergency Stop Switches**—The laundry must establish rules and procedures that prohibit personnel from remaining within the fenced area with machine(s) enabled, except in accordance with published maintenance procedures. System emergency stop switches (panic buttons) should be provided inside and outside the fenced perimeter. Emergency stop switches should be located so that personnel anywhere inside the fenced perimeter are only a short distance from a switch, and they should be clearly marked as to their locations and function. Connect switches in series with the gate interlocks so that pressing an emergency stop switch performs the same control function as opening a gate.
- 5.5.6. Isolating Individual Machine Controls**—The interlock circuitry for each machine must be electrically isolated from that of the other machines. Hence, each gate interlock switch must provide as many pairs of dry contacts as there are machines to interface to. A pair of switch contacts must never be shared by two or more machines.
- 5.5.7. Recommended Signage**—Safety placards should be posted along the fence and at each gate, alerting personnel to the hazards within. At minimum, the size of lettering and distance between placards should be such that anyone contemplating entering the fenced area will likely see and read the placard first. Wording should be provided in each native language spoken by laundry personnel.

— End of BISUII01 —

6. Wiring Safety Fence Gate Interlocks on Milnor® Shuttles, Presses and Centrifugal Extractors

This document is to be used in conjunction with Milnor document W6SYSSG “Micro 6 Systems Schematic: Customer-Provided Safety Fence Gate Interlock”. You will find this schematic document in the circuit guide for your machine. Together, these documents describe how to connect a customer-provided gate switch or series of switches to any Milnor shuttle, press, or centrifugal extractor. Another Milnor document—BISUUI01 “Proximity Safeguarding for Automatic Shuttle Conveyors”—discusses the general hazards that safety fencing addresses.

6.1. Precautions



WARNING [16]: Electrocution and Electrical Burn Hazards—Contact with electric power can kill or seriously injure you. Electric power is present inside the cabinetry unless the main machine power disconnect is off.

- Do not service the machine unless qualified and authorized. You must clearly understand the hazards and how to avoid them.
- Perform all work with machine power locked out/tagged out.



WARNING [17]: Strike and Crush Hazards—A traveling machine such as a shuttle can strike, crush, or entrap you if you ride on it or enter its path. Traveling machines or their components can move automatically in any direction. Placing a system machine on line by energizing the machine control may immediately summon a shuttle or other traveling machine.

- Lock out and tag out power to the traveling machine at the main machine disconnect if you must work in the path of the traveling machine.

6.2. Wiring Guidelines

As explained in BISUUI01, a gate interlock switch must have one pole per machine to be interlocked. Each pole on the switch must be electrically isolated from any other poles on that switch. The gate interlock circuit for a given machine is a series circuit that includes one pole per switch (per gate). This circuit is wired into, and becomes part of the machine's three-wire circuit (see definition below).

three-wire circuit—a circuit that provides control power for all machine functions. Any of several safety devices in the three-wire circuit will open the circuit and stop machine operation if a malfunction is detected. Once open, the three-wire circuit can only be closed by manual intervention and then only if the condition that opened the circuit is rectified.

W6SYSSG depicts schematically, various circuit segments the technician may encounter, depending on the type and age of the machine. Only one depiction will match a given machine. It may be helpful to refer to the electrical schematics for your machine; however, you should be able to identify the pertinent electrical components by referring to the tags inside the electric box doors on your machine. You will use one of two wiring methods depending on which circuit segment on W6SYSSG corresponds to your machine:

1. **Jumpered terminals**—Remove the jumper and connect the two incoming conductors to the terminals (pins) where the jumpers were removed. A tag was tied to the jumper at the factory to identify this as the gate interlock switch connection point.
2. **Circuitry that must be split**—Locate convenient connection points (e.g., a pin on a switch) at which to split the circuit and connect the incoming conductors. You may need to splice wires to complete the connection.

6.3. Testing

Once wiring is completed, it is vital to test the system to ensure that:

1. all gate interlocks function properly, and
2. all components that were part of the machine's three-wire circuit before the gate interlocks were added continue to function properly. The objective is to ensure that the added wiring did not inadvertently bypass existing components.

6.3.1. Testing Gate Interlocks

1. Close all gates.
2. Restore power to all interlocked machines.
3. **For each gate:**
 - a. Start all interlocked machines (Ⓜ) and place in *Manual* mode (all machines idling in manual).
 - b. Open the gate and verify that all interlocked machines shut down (as indicated by their individual operator alarms).
 - c. Close the gate so the next gate can be tested.

6.3.2. Testing Three-wire Circuit Components on Each Interlocked Machine

—Typically, these include the components listed in [Table 1](#).

Table 1: Typical Three-wire Circuit Components

Component	Found On		
	Shuttle	Press	Centrifugal Extractor
Stop (0) push button on control panel	✓	✓	✓
Emergency Stop switch(es) (locking push button)	✓	✓	✓
Manually lifted access door (typically two per machine)		✓	
Manually removed access panel (typically two per machine)			✓
Pull cord (certain shuttles)	✓		
Kick plate (typically two per machine)	✓		

Test each interlocked machine as follows:

1. Start the machine and place in *Manual* mode (machine idling in manual).
2. For each three-wire circuit component on the machine:
 - a. Actuate the component (e.g., press the Stop button) and verify that the machine shuts down (as indicated by the operator alarm).
 - b. If needed, de-actuate the component. For example, release an Emergency Stop switch or close an access door, so the next component can be tested.

— End of BISUUI02 —

Español

2



Published Manual Number: MTPP2S01ES

- Specified Date: 20180514
- As-of Date: 20180514
- Access Date: 20180606
- Depth: Detail
- Custom: n/a
- Applicability: PP2
- Language Code: SPA01, Purpose: publication, Format: 1colA

Guía de seguridad—

Prensa de membrana de dos etapas

PRECAUCIÓN: La Corporación Pellerin Milnor proporcionó la información contenida en este manual, en la **Versión en inglés solamente**. Milnor realizó su mejor esfuerzo para ofrecer una traducción de calidad, pero no declara, promete o garantiza la exactitud, integridad o adecuación de la información contenida en la versión no escrita en inglés.

Además, Milnor no ha hecho ninguna verificación de la información contenida en la versión no escrita en inglés, ya que fue completamente elaborada por terceros. Por lo tanto, Milnor expresamente niega cualquier responsabilidad por errores en sustancia o forma y no se responsabiliza por la utilización como fuente de apoyo, o consecuencias de utilizar la información en la versión no escrita en inglés.

Bajo ninguna circunstancia deberá Milnor o sus representantes o funcionarios ser responsables por daños directos, indirectos, incidentales, punitivos o consecuentes que puedan resultar del uso o mal uso, utilizar como fuente de apoyo la versión no escrita en inglés de este manual, o que puedan resultar de faltas, omisiones o errores en la traducción.

Productos aplicables de Milnor® por número de modelo:

MP2501CL MP2501CR MP2501L- MP2501R- MP2601CL MP2601CR MP2601L-
MP2601R- MP2606CL MP2606CR MP2606L- MP2606R-

Índice general

Secciones	Figuras, tablas y complementos
1. Requisitos de seguridad generales—información vital para los encargados (Documento BIUUUS04)	
1.1. Facilidad de lavado	
1.2. Personal	
1.3. Dispositivos de seguridad	
1.4. Información sobre peligros	
1.5. Mantenimiento	
2. Peligros eléctricos y mecánicos internos (Documento BIUUUS24)	
2.1. Placas con indicaciones de seguridad—Peligros eléctricos y mecánicos internos (Documento BIUUUS18)	Figura 1: Peligros eléctricos y mecánicos internos—Electricidad
	Figura 2: Peligros eléctricos y mecánicos internos—Piezas en movimiento detrás de las defensas y las cubiertas
	Figura 3: Peligros eléctricos y mecánicos internos—Servicios públicos y energía residual
	Figura 4: Peligros eléctricos y mecánicos internos—Descenso de apisonador/campana de presión
2.2. Mensajes de alerta de seguridad—Peligros eléctricos y mecánicos internos (Documento BIUUUS11)	
3. Peligros Mecánicos Externos (Documento BIUUUS25)	
3.1. Placas con indicaciones de seguridad—Peligros Mecánicos Externos (Documento BIUUUS19)	Figura 5: Peligros Mecánicos Externos—Recorrido de la máquina a lo largo de una ruta
3.2. Mensajes de alerta de seguridad—Peligros Mecánicos Externos (Documento BIUUUS12)	
4. Mensajes de alerta de seguridad—Condiciones peligrosas (Documento BIUUUS14)	
4.1. Peligros que resultan del equipo dañado o que funcione incorrectamente	
4.1.1. Peligros que resultan de los dispositivos de seguridad inoperantes	

Secciones	Figuras, tablas y complementos
4.1.2. Peligros que resultan de los dispositivos mecánicos dañados	
4.2. Peligros que resultan de usar el equipo negligentemente	
4.2.1. Peligros que resultan de la operación descuidada—información vital para los operadores del equipo (Consulte también el manual.)	
4.2.2. Peligros que resultan del descuido durante mantenimiento—información vital para el personal que mantiene el equipo (Consulte también el manual.)	
5. Protección de proximidad para cintas transportadoras automáticas (Documento BISUII01)	
5.1. Aplicabilidad	
5.2. Referencias para protección de proximidad	
5.3. Peligros para el personal en proximidad a cintas transportadoras	
5.4. Cómo incorpora Milnor la protección de proximidad	
5.5. Ejemplos de barreras de seguridad con puertas enclavadas	
5.5.1. Dimensiones de la barrera	
5.5.2. Materiales y retroceso de la barrera	
5.5.3. Puertas	
5.5.4. Circuitos de control	
5.5.5. Interruptores de parada de emergencia del sistema	
5.5.6. Aislamiento de controles de máquina individuales	
5.5.7. Señalización recomendada	
6. Interruptores de seguridad de la puerta de la barrera de seguridad para el cableado en Milnor® cintas, prensas y extractores centrifugos (Documento BISUII02)	
6.1. Precauciones	
6.2. Pautas de cableado	
6.3. Prueba	
6.3.1. Prueba de enclavamientos de puerta	
	Figura 6: Diseño de la barrera de ejemplo para el sistema de lavado automático en el que un túnel sirve un banco de secadoras
	Figura 7: Diseño de barrera de ejemplo para el sistema de lavado automático en el que dos túneles sirven un banco de secadoras

Secciones

6.3.2. Prueba de componentes del circuito trifásico en cada máquina con enclavamiento

Figuras, tablas y complementos

Tabla 1: Componentes habituales del circuito trifásico

1. Requisitos de seguridad generales—información vital para los encargados

La instalación incorrecta, la falta de mantenimiento preventivo, el abuso y las reparaciones inadecuadas o cambios en la máquina pueden llevar a una falta de seguridad en su funcionamiento y a daños personales, como fracturas múltiples, amputaciones o la muerte. El dueño o el representante que haya nombrado (dueño o usuario) tiene la responsabilidad de comprender y garantizar que se cumplan los términos correctos de funcionamiento y mantenimiento de la máquina. El dueño o usuario debe familiarizarse con el contenido de todos los manuales de instrucciones de la máquina. El dueño o usuario debe dirigir cualquier pregunta relativa a estas instrucciones a un distribuidor de Milnor® o al departamento de servicio de Milnor®.

La mayoría de las autoridades que vigilan los reglamentos (incluidas la OSHA en los EE.UU. y la CE en Europa) consideran al dueño o usuario responsables finales del mantenimiento de un medio entorno de trabajo seguro. Por lo tanto, el dueño o usuario debe hacer o asegurarse de que se haga lo siguiente:

- reconocer todos los riesgos de seguridad previsible en sus instalaciones y dar los pasos necesarios para proteger a sus operarios, equipo e instalación;
- que el equipo de trabajo sea adecuado, esté correctamente adaptado, pueda emplearse sin riesgos de salud o seguridad y reciba el mantenimiento apropiado;
- que, donde puedan presentarse ciertos riesgos específicos, el acceso al equipo se restrinja a los empleados que tienen la tarea de utilizarlo;
- que sólo los trabajadores específicamente designados lleven a cabo las reparaciones, modificaciones, mantenimiento o servicio;
- que se proporcione información, capacitación y entrenamiento;
- que se consulte a los trabajadores o a sus representantes.

El equipo de trabajo debe ajustarse a los requisitos que se enumeran abajo. El dueño o usuario debe comprobar que la instalación y mantenimiento del equipo se realicen de tal modo que respalden estos requisitos:

- los dispositivos de control deben ser visibles, identificables y estar marcados; deben ubicarse fuera de zonas de peligro y no permitir que haya un riesgo debido a su funcionamiento accidental;
- los sistemas de control deben ser seguros y si se estropean o dañan no deben causar peligro;
- el equipo de trabajo debe estar estabilizado;
- debe haber protección contra la ruptura o desintegración del equipo de trabajo;
- debe haber guardas para impedir el acceso a zonas de riesgo o para detener el movimiento de piezas peligrosas antes de que lleguen a las zonas de peligro. Las guardas deben ser sólidas y no dar pie a riesgos adicionales, que no se les pueda retirar o se pueda evitar su funcionamiento con facilidad, que estén ubicadas a una distancia suficiente de la zona de peligro, que no limiten el campo de visión del ciclo operativo, que permitan los ajustes, reemplazos o mantenimiento mediante la restricción del acceso al área pertinente y sin eliminar el dispositivo de guarda o protección;
- debe haber una iluminación adecuada para las áreas de trabajo y mantenimiento;
- el mantenimiento debe ser posible cuando se apague el equipo de trabajo. Si no es posible, entonces deben tomarse medidas de protección fuera de las zonas de peligro;
- el equipo de trabajo debe ser adecuado para prevenir los riesgos de incendio o sobrecalentamiento, descargas de gas, polvo, líquidos, vapor u otras sustancias, y la explosión del equipo o las sustancias en su interior.

1.1. Facilidad de lavado

Proporcione un piso de apoyo que sea lo bastante fuerte y rígido como para soportar—con un factor razonable de seguridad y sin comba excesiva o inaceptable—el peso de la máquina completamente cargada y de las fuerzas que transmite al estar en funcionamiento. Proporcione espacio suficiente para el movimiento de la máquina. Proporcione las guardas, cercas, retenes, dispositivos y restricciones de seguridad verbales o

mediante carteles que sean necesarios para evitar que los operarios, las máquinas u otros equipos con movimiento puedan llegar a la máquina o al espacio en el que se mueve. Proporcione ventilación adecuada para deshacerse del calor y los gases. Asegúrese de que las conexiones de servicio de las máquinas instaladas cumplan con las normas de seguridad locales y nacionales, especialmente por cuanto se refiere a la desconexión eléctrica (consulte el Código Eléctrico Nacional de los EE.UU.). Exhiba de manera prominente la información de seguridad, incluidos los letreros que muestren el lugar de la desconexión eléctrica.

1.2. Personal

Informe a los operarios sobre cómo evitar riesgos y la importancia del cuidado y el sentido común. Proporcione a los operarios las instrucciones de seguridad y funcionamiento aplicables. Compruebe que los operarios emplean los procedimientos correctos de seguridad y funcionamiento. Compruebe que los operarios comprenden y respetan las advertencias que están en la máquina y las precauciones señaladas en los manuales de instrucciones.

1.3. Dispositivos de seguridad

Asegúrese de que nadie elimine ni desactive ningún dispositivo de seguridad de la máquina o en las instalaciones. No permita que se emplee la máquina si falta alguna guarda, cubierta, panel o puerta. Repare cualquier dispositivo que esté fallando o funcionando mal antes de operar la máquina.

1.4. Información sobre peligros

En las placas con indicaciones de seguridad de la máquina, en la Guía de seguridad y en todos los otros manuales de la máquina se proporciona información importante sobre los peligros. Consulte el manual de servicio de la máquina para conocer los números de parte de las placas con indicaciones de seguridad. Comuníquese con el departamento de partes Milnor en relación con el reemplazo de los manuales o las placas con indicaciones de seguridad.

1.5. Mantenimiento

Asegúrese de que la máquina sea inspeccionada y reciba servicio de acuerdo con las normas de práctica correcta y con el programa de mantenimiento preventivo. Reemplace las bandas, poleas, zapatas o discos de freno, zapatas o ruedas del embrague, rodillos, sellos, guías de alineación, etc., antes de que sufran un desgaste grave. Investigue de inmediato cualquier indicio de fallo inminente y haga las reparaciones necesarias (por ejemplo, grietas en el tambor, la carcasa o el armazón; componentes de impulso tales como los motores, cajas de cambios, cojinetes, etc., chillidos, rechinamientos, presencia de humo o calentamiento excesivo; combas o grietas en el tambor, la carcasa, el armazón, etc.; juntas, mangueras válvulas u otros elementos con fugas). No permita que se dé servicio o mantenimiento por parte de personal no cualificado.

— Fin de BIUUS04 —

2. Peligros eléctricos y mecánicos internos

2.1. Placas con indicaciones de seguridad—Peligros eléctricos y mecánicos internos [Documento BIUUUS18]

Una o más de las placas con indicaciones de seguridad en la máquina, similares a las siguientes, advierten al personal sobre los peligros dentro de la máquina y en las cajas eléctricas.

Figura 1: Peligros eléctricos y mecánicos internos—Electricidad



Figura 2: Peligros eléctricos y mecánicos internos—Piezas en movimiento detrás de las defensas y las cubiertas



Figura 3: Peligros eléctricos y mecánicos internos—Servicios públicos y energía residual



⚠ ADVERTENCIA		⚠ WARNING
<p>Para evitar lesiones graves antes de dar servicio o limpiar:</p> <ul style="list-style-type: none"> ● Desconectar todos los servicios como aire, vapor, gas y electricidad. ● Descargar cualquier aire residual. ● Permitir que enfríen las piezas calientes. 		<p>To prevent serious injury, before servicing or cleaning:</p> <ul style="list-style-type: none"> ● Disconnect all utilities such as air, steam, gas, and electricity. ● Release any residual air. ● Allow heated parts to cool.

Figura 4: Peligros eléctricos y mecánicos internos—Descenso de apisonador/campana de presión

⚠ ADVERTENCIA		⚠ WARNING
<p>Riesgo de aplastamiento.</p> <p>La campana y el pisón principal pueden bajar repentinamente con la energía ENCENDIDA o APAGADA y causar lesiones graves o la muerte.</p> <p>No colocar ninguna parte del cuerpo abajo de la campana o pisón principal durante el funcionamiento.</p> <p>Cuando es necesario dar servicio o limpiar, primero debe asegurar los soportes de seguridad y bloquear/identificar con rótulos la máquina.</p>		<p>Crush hazard.</p> <p>Main bell and tamper can lower suddenly with power ON or OFF and cause serious injury or death.</p> <p>Do not put any part of your body under main bell or tamper while in operation.</p> <p>If servicing or cleaning is necessary, first secure safety supports and lockout/tagout machine.</p>

2.2. Mensajes de alerta de seguridad—Peligros eléctricos y mecánicos internos [Documento BIUUUS11]

Lo que se presenta a continuación son las instrucciones sobre los peligros dentro de la máquina y en las cajas eléctricas.



ADVERTENCIA 1: Riesgos de electrocución y quemaduras por electricidad—El contacto con la electricidad puede ocasionarle lesiones graves o la muerte. La electricidad está presente dentro del gabinete, a menos que el interruptor principal, fuera de la máquina, esté desconectado.

- No destrabe ni abra las puertas de los tableros eléctricos.
- No retire las guardas, cubiertas o paneles.
- No introduzca la mano en la cubierta o carcasa de la máquina.

- Para evitar posibles daños, es conveniente que las personas se mantengan alejadas de la máquina.
- Conozca la ubicación de la desconexión principal y aprenda a utilizarla en una emergencia para eliminar toda la energía eléctrica dentro de la máquina.



ADVERTENCIA [2]: Riesgos de enredo y aplastamiento—El contacto con componentes en movimiento que están habitualmente aislados por guardas, cubiertas y paneles pueden enredar y aplastar sus miembros. Tenga en mente que estos componentes se mueven de manera automática.

- No retire las guardas, cubiertas o paneles.
- No introduzca la mano en la cubierta o carcasa de la máquina.
- Para evitar posibles daños, es conveniente que las personas se mantengan alejadas de la máquina.
- Debe conocer la ubicación de todos los interruptores, cuerdas de las que se puede tirar o placas que se puedan dañar, y emplearlos en caso de una emergencia para detener el movimiento de la máquina.



ADVERTENCIA [3]: Riesgos de aplastamiento y atrapado—La campana principal puede aplastar su cuerpo o miembros si desciende cuando usted esté debajo de ella. El pisón puede aplastarlo o atraparlo si desciende cuando usted esté debajo de ella. La campana y el pisón pueden descender con la energía activada o desactivada.

- No introduzca la mano en la cubierta o carcasa de la máquina.
- Use el gancho suministrado de fábrica para mover los objetos dentro de la cubierta.

— Fin de BIUUUS24 —

3. Peligros Mecánicos Externos

3.1. Placas con indicaciones de seguridad—Peligros Mecánicos Externos

[Documento BIUUUS19]

Una o más placas con indicaciones de seguridad en la máquina, similares a la siguiente, alertan al personal sobre los peligros alrededor de la parte delantera, lateral, trasera o superior de la máquina.

Figura 5: Peligros Mecánicos Externos—Recorrido de la máquina a lo largo de una ruta

 ADVERTENCIA		 WARNING
<p>Riesgo de aplastamiento.</p> <p>Puede causar lesiones graves o la muerte.</p> <p>Mantenerse alejado del mecanismo movable.</p>		<p>Crush hazard.</p> <p>Can cause serious injury or death.</p> <p>Stay clear of moving mechanism.</p>

3.2. Mensajes de alerta de seguridad—Peligros Mecánicos Externos

[Documento BIUUUS12]

Lo que se presenta a continuación son las instrucciones sobre los peligros alrededor de la parte delantera, lateral, trasera o superior de la máquina.



ADVERTENCIA 4: Riesgo de aplastamiento —Los espacios entre la prensa y la banda sinfín receptora pueden cerrarse y aplastarle o pellizcarle los miembros. La rastra se extiende para descargar la ropa en la banda sinfín receptora (COINC) y algunos COINC se mueven en forma pivotante para la descarga.

- No introduzca la mano en la cubierta o carcasa de la máquina.
- Para evitar daños, las personas deben mantenerse lejos de las áreas y caminos del movimiento.

— Fin de BIUUUS25 —

4. Mensajes de alerta de seguridad—Condiciones peligrosas

4.1. Peligros que resultan del equipo dañado o que funcione incorrectamente

4.1.1. Peligros que resultan de los dispositivos de seguridad inoperantes



ADVERTENCIA [5]: Riesgos diversos—El funcionamiento de la máquina con un dispositivo de seguridad que no funcione puede causar heridas o la muerte a los operarios, dañar o destruir la máquina, causar daños a la propiedad o anular la garantía.

- No interfiera, ni desactive, ningún dispositivo de seguridad. No ponga en funcionamiento la máquina cuando un dispositivo de seguridad no esté funcionando correctamente. Solicite ayuda de personas autorizadas.



ADVERTENCIA [6]: Riesgos de electrocución y quemaduras por electricidad—Puertas de los tableros eléctricos—El funcionamiento de la máquina con la puerta de cualquier tablero eléctrico abierta puede dejar al descubierto los cables de alto voltaje que hay en su interior.

- No destrabe ni abra las puertas de los tableros eléctricos.



ADVERTENCIA [7]: Riesgos de enredo y aplastamiento—Guardas, cubiertas y paneles—El funcionamiento de la máquina sin alguna de sus guardas, cubiertas o paneles deja al descubierto componentes en movimiento.

- No retire las guardas, cubiertas o paneles.

4.1.2. Peligros que resultan de los dispositivos mecánicos dañados



ADVERTENCIA [8]: Riesgos diversos—El funcionamiento de una máquina dañada puede herir o matar al personal operario, causar más daños a la máquina o destruirla, dañar la propiedad y anular la garantía.

- No haga funcionar una máquina dañada o que tenga problemas de funcionamiento. Solicite servicio autorizado.

4.2. Peligros que resultan de usar el equipo negligentemente

4.2.1. Peligros que resultan de la operación descuidada—información vital para los operadores del equipo (Consulte también el manual.)



ADVERTENCIA [9]: Riesgos diversos—Las acciones descuidadas de los operarios pueden causar heridas o la muerte, dañar o destruir la máquina, causar daños a la propiedad o anular la garantía.

- No interfiera, ni desactive, ningún dispositivo de seguridad. No ponga en funcionamiento la máquina cuando un dispositivo de seguridad no esté funcionando correctamente. Solicite ayuda de personas autorizadas.
- No haga funcionar una máquina dañada o que tenga problemas de funcionamiento. Solicite servicio autorizado.
- No intente poner en funcionamiento o realizar reparaciones o modificaciones sin autorización.
- No emplee la máquina de ninguna forma que sea contraria a las instrucciones del fabricante.
- Utilice la máquina sólo para el propósito habitual o para el que fue creada.
- Comprenda las consecuencias del funcionamiento manual.



PRECAUCIÓN [10]: Daño a la ropa y recursos desperdiciados—La introducción de datos incorrectos de la barra puede hacer que el procesamiento, encaminamiento y contabilización de los lotes sean incorrectos.

- Debe comprender las consecuencias que conlleva la introducción de datos de la barra.

4.2.2. Peligros que resultan del descuido durante mantenimiento—información vital para el personal que mantiene el equipo (Consulte también el manual.)



ADVERTENCIA [11]: Riesgos de electrocución y quemaduras por electricidad—El contacto con la electricidad puede ocasionarle lesiones graves o la muerte. La electricidad está presente dentro del gabinete, a menos que el interruptor principal, fuera de la máquina, esté desconectado.

- No realice ningún servicio a la máquina a menos que esté cualificado y autorizado. Comprenda claramente los peligros y la manera de evitarlos.
- Cumpla con la norma actual de etiquetado/bloqueo de OSHA cuando se indique en las instrucciones de servicio. Fuera de EE.UU., cumpla con la norma de OSHA en ausencia de cualquier otra norma predominante.



ADVERTENCIA [12]: Riesgos de enredo y aplastamiento—El contacto con componentes en movimiento que están habitualmente aislados por guardas, cubiertas y paneles pueden enredar y aplastar sus miembros. Tenga en mente que estos componentes se mueven de manera automática.

- No realice ningún servicio a la máquina a menos que esté cualificado y autorizado. Comprenda claramente los peligros y la manera de evitarlos.
- Cumpla con la norma actual de etiquetado/bloqueo de OSHA cuando se indique en las instrucciones de servicio. Fuera de EE.UU., cumpla con la norma de OSHA en ausencia de cualquier otra norma predominante.



ADVERTENCIA [13]: Riesgo de aplastamiento—La campana principal puede aplastar su cuerpo o miembros si desciende cuando usted esté debajo de ella. El pisón puede aplastarlo o atraparlo si desciende cuando usted esté debajo de ella. La campana y el pisón pueden descender con la energía activada o desactivada.

- Asegure ambos pedestales de seguridad rojos siguiendo las instrucciones que se le proporcionaron y, a continuación, bloquee y señalice la energía en la desconexión principal de la máquina antes de trabajar debajo de la campana.
- Cierre la presión del aire hacia el pisón y fíjelo con una cuña de madera si se ve precisado a trabajar con cualquier parte del cuerpo debajo del pisón.

— Fin de BIUUUS14 —

5. Protección de proximidad para cintas transportadoras automáticas

Protección de proximidad—se trata de un medio para evitar que el personal acceda a la trayectoria de una máquina, por ejemplo, un robot industrial que se desplaza dentro de un área grande.

5.1. Aplicabilidad

Este documento—

- se aplica** a sistemas automatizados de lavado Milnor[®] con cintas transportadoras que se desplazan sin la intervención de un operario (funcionamiento automático),
- se no aplica** a cintas que requieran la intervención continua del operario, como dirigir todos los movimientos de la cinta (funcionamiento manual).

5.2. Referencias para protección de proximidad

- .ANSI Z8.1-2016 “Norma nacional estadounidense para equipos y operaciones comerciales de lavandería y limpieza en seco: requisitos de seguridad”
- OSHA Standard 29 CFR § 1910.212 “Requisitos generales para todas las máquinas”
- OSHA Directive STD 01-12-002 - Pub 8-1.3 “Directrices de seguridad robótica”
- ANSI/RIA R15.06-2012 “Norma nacional estadounidense para robots industriales y sistemas de robots: requisitos de seguridad”
- ANSI/ASME B15.1-2000 “Norma de seguridad para aparatos mecánicos de transmisión de potencia”
- OSHA Publication 3067 “Conceptos y técnicas de protección de la máquina”
- ISO 10472-1 “Requisitos de seguridad para maquinaria de lavandería industrial”

5.3. Peligros para el personal en proximidad a cintas transportadoras

Los sistemas de lavado automático de Milnor usan cintas transportadoras automáticas para transportar ropa entre las máquinas de procesamiento del sistema. Dependiendo del modelo, el sistema de transporte automático puede moverse de cualquiera de las siguientes maneras, además de hacer funcionar sus cintas transportadoras:

- Se puede desplazar a lo largo (recorrido) de una línea de máquinas (normalmente, secadoras).
- Sus plataformas transportadoras pueden ascender o descender (elevarse) en el bastidor de máquina.
- Sus plataformas transportadoras pueden extenderse o retraerse en el bastidor de máquina.
- La plataforma transportadora y el bastidor pueden girar.
- Las cintas para ropa mojada cuentan con un cubo que se eleva y se inclina.

Estos movimientos representan un peligro de golpe, aplastamiento, corte y atrapamiento para el personal que se encuentra cerca de la cinta. **Para la seguridad del personal, el propietario o los usuarios deben proporcionar protección de proximidad que proteja al personal frente al desplazamiento de la cinta.**

Un método común de protección de proximidad es la barrera de seguridad con puertas enclavadas que desactivan la cinta cuando se abre una puerta. Cuando se desactiva una cinta, esto hará que otras máquinas del sistema pasen al estado espera (esperando a que otra máquina se ponga en funcionamiento), pero no necesariamente hará que se detenga inmediatamente. En el caso de un sistema de túneles, la prensa o el extractor centrifugo pueden representar riesgos adicionales para el personal que se encuentra cerca del equipo. **Por lo tanto, las medidas de seguridad también deben desactivar las prensas o extractores.** Los túneles y las secadoras no representan un peligro significativo para el personal simplemente porque se encuentran cerca del equipo y no necesitan desactivarse automáticamente.



ADVERTENCIA [14]: Múltiples peligros—La protección de proximidad proporciona solo protección parcial y únicamente frente a las lesiones resultantes del acceso a la trayectoria de la cinta. No se trata de un sustituto de los procedimientos adecuados de bloqueo/etiquetado y buenas prácticas de seguridad.

- Bloquee/etiquete siempre cualquier máquina individual (o siga los procedimientos de mantenimiento publicados) cuando realice tareas de mantenimiento o elimine un fallo en esa

máquina.

- Asegúrese de que todo el personal entienda las garantías de seguridad y no trate de anularlas.
- Inspeccione las protecciones semanalmente para asegurarse de que no sean burladas mecánicamente o eléctricamente.

5.4. Cómo incorpora Milnor la protección de proximidad

Milnor proporciona puntos de conexión en cintas, prensas y extractores centrifugos para interactuar con dispositivos tales como interruptores de enclavamiento de puerta. Estos puntos de conexión están etiquetados para una clara identificación. Cuando Milnor proporciona imágenes de diseño de equipos para un sistema de lavado automático, indica en el dibujo el perímetro del área de desplazamiento de la cinta que debe protegerse. La siguiente indicación de peligro se muestra en las etiquetas de puntos de conexión, así como en los dibujos de diseño de equipos preparados por Milnor:



ADVERTENCIA [15]: Peligros de impacto, aplastamiento, corte y atrapamiento—El personal que se encuentra cerca de maquinarias/sistemas que atraviesan, elevan, extienden, giran o se inclinan puede sufrir lesiones corporales graves o la muerte. Los siguientes requisitos mínimos de seguridad obligatorios se deben instalar con el sistema de maquinaria (los códigos locales pueden requerir precauciones adicionales):

- Barreras de seguridad que delimitan las áreas de desplazamiento de la máquina.
- Enclavamientos eléctricos bloqueables en todas las puertas, correctamente conectados, como se muestra en los esquemas de la máquina, para desactivar el movimiento de la máquina cuando se abre cualquier puerta.
- Señales para alertar al personal sobre estos riesgos, colocadas de forma visible alrededor del área cercada.

Aunque los objetivos de protección de proximidad son los mismos en cualquier lugar, los requisitos de diseño varían con los códigos locales (que ocasionalmente cambian) y con el diseño de la planta. Por esta razón, Milnor no proporciona diseños detallados ni materiales para la protección de proximidad. Si la organización del propietario o el usuario no cuenta con el conocimiento experto necesario, consulte las fuentes apropiadas, por ejemplo, ingenieros locales o arquitectos especializados en diseño de instalaciones industriales.

5.5. Ejemplos de barreras de seguridad con puertas enclavadas

El cercado con puertas enclavadas como las representadas en [Figura 6](#) y [Figura 7](#) se puede utilizar para cumplir el requisito de protección de proximidad. Si el propietario o usuario elige este método, la siguiente información puede ser útil. No obstante, **esta información puede no cumplir con los requisitos del código actual o local. El propietario o usuario debe determinar su idoneidad para su instalación particular.**

Figura 6: Diseño de la barrera de ejemplo para el sistema de lavado automático en el que un túnel sirve un banco de secadoras

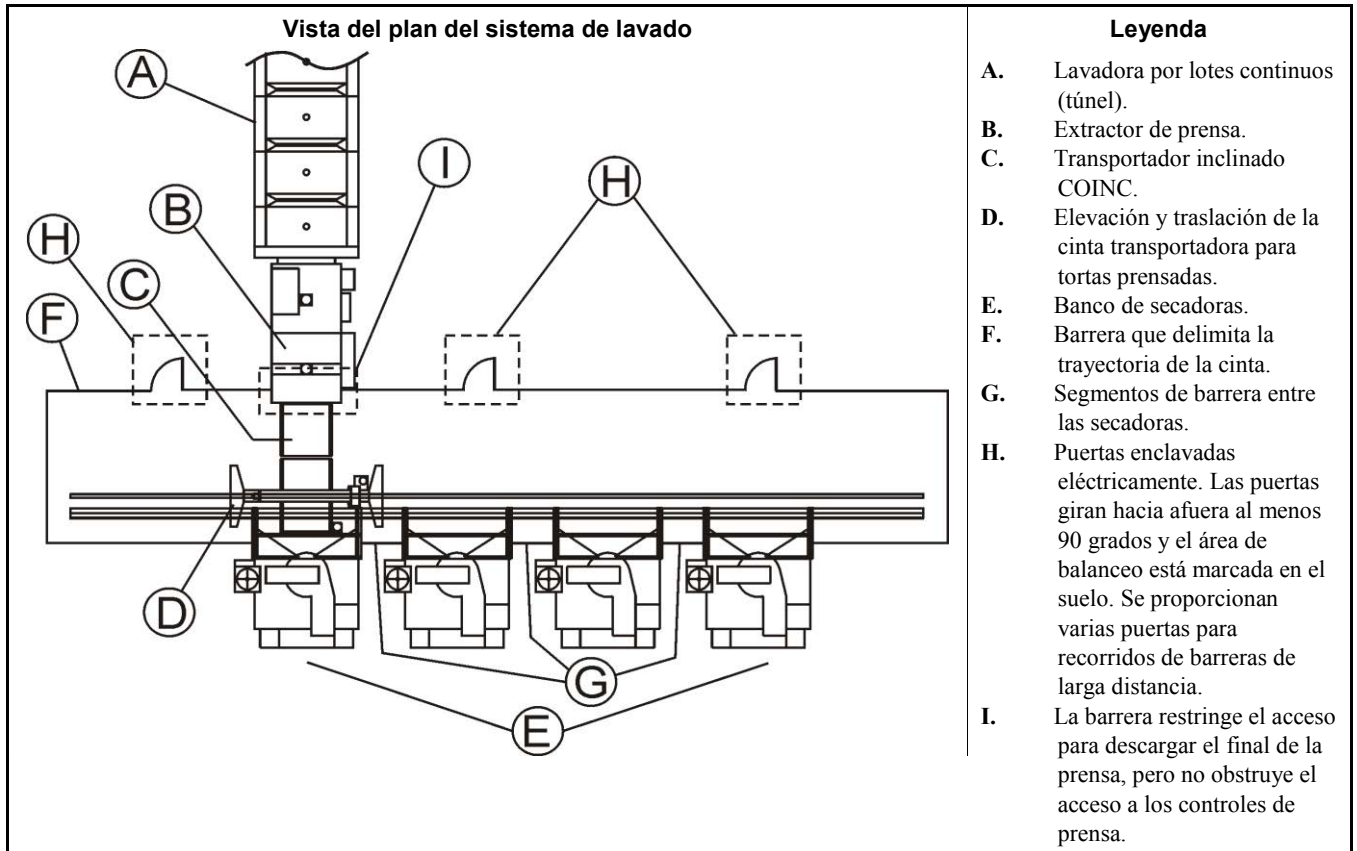
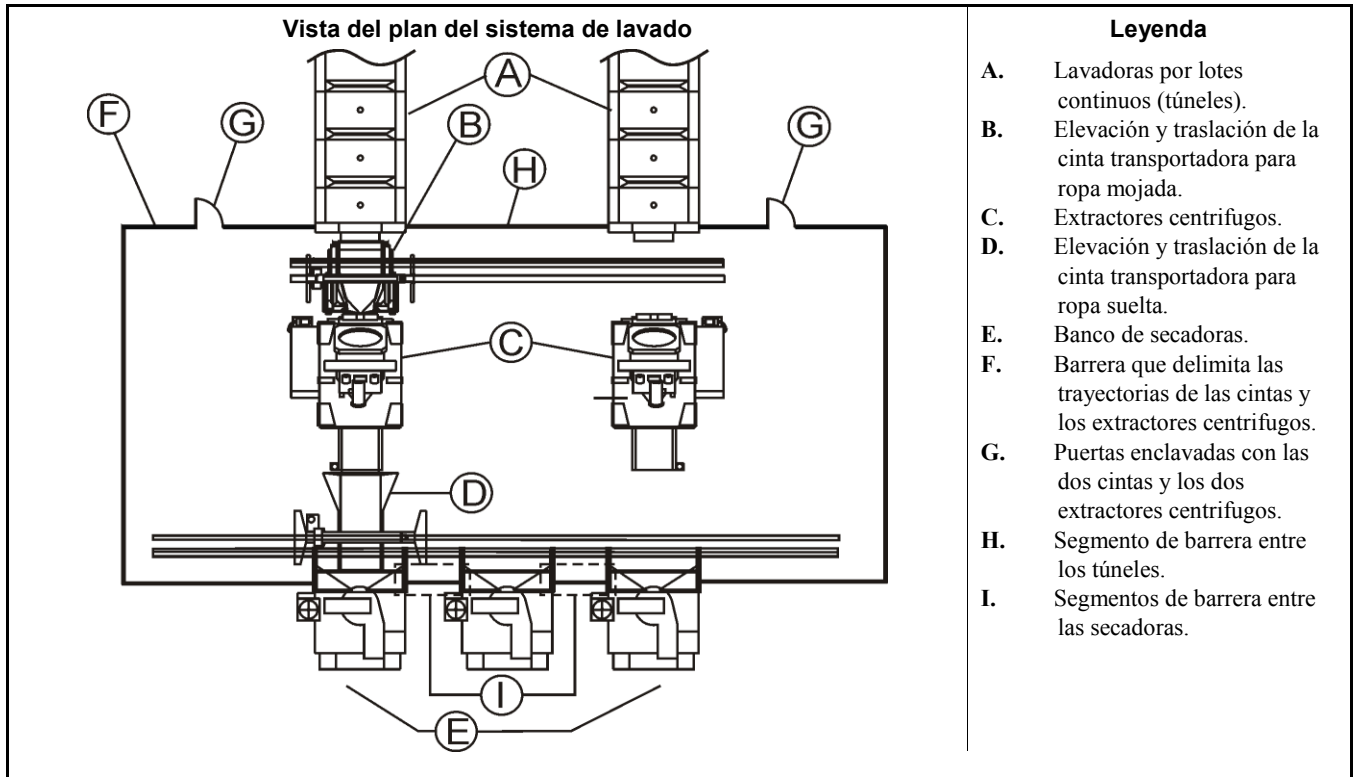


Figura 7: Diseño de barrera de ejemplo para el sistema de lavado automático en el que dos túneles sirven un banco de secadoras



5.5.1. Dimensiones de la barrera—La barrera debe impedir que sea posible escalarla o pasar por debajo de ella.

5.5.2. Materiales y retroceso de la barrera—La barrera debe construirse con materiales y colocarla de manera que se evite que el personal acceda a través de los espacios de la barrera y entre en contacto con la maquinaria.

5.5.3. Puertas—Las puertas de personal deben mantenerse firmemente cerradas, pero permiten que el personal pase fácilmente cuando sea necesario. Las puertas deben estar equipadas con una disposición de enclavamiento positivo para evitar la apertura accidental. Se debe proporcionar un espacio adecuado en el suelo para permitir que la puerta se balancee al menos 90 grados cuando esté completamente abierta. Las puertas deben abrirse hacia afuera, es decir, lejos del perímetro cercado. El suelo debe estar permanentemente marcado para mostrar el área de oscilación de la puerta, para evitar que obstruya su movimiento.

5.5.4. Circuitos de control—Todas las puertas deben estar enclavadas eléctricamente con las cintas transportadoras dentro del área cercada y con las prensas o extractores centrifugos que la barrera delimita o cruza. La apertura de cualquier puerta debe tener los siguientes efectos:

1. Se detiene inmediatamente el movimiento de cintas, prensas o extractores centrifugos.
2. Suena una alarma audible.
3. Las cintas, prensas o extractores centrifugos no pueden reiniciarse simplemente cerrando las puertas, sino que deben reiniciarse en el panel de control una vez que las puertas estén cerradas.

Las cintas, prensas y extractores centrifugos de Milnor proporcionan tal funcionalidad cuando se conectan correctamente con los interruptores de enclavamiento de la puerta.

- 5.5.5. Interruptores de parada de emergencia del sistema**—La lavandería debe establecer reglas y procedimientos que prohíban al personal permanecer dentro del área cercada con las máquinas activadas, excepto de acuerdo con los procedimientos de mantenimiento publicados. Se deben proporcionar interruptores de parada de emergencia del sistema (botones de pánico) dentro y fuera del perímetro cercado. Los interruptores de parada de emergencia deben colocarse de modo que el personal que se encuentre dentro del perímetro cercado esté a poca distancia de un interruptor, y deben estar claramente marcados en cuanto a su ubicación y función. Conecte los interruptores en serie con los enclavamientos de la puerta de manera que al presionar un interruptor de parada de emergencia realice la misma función de control que al abrir una puerta.
- 5.5.6. Aislamiento de controles de máquina individuales**—Los circuitos de enclavamiento para cada máquina deben estar eléctricamente aislados del de las otras máquinas. Por lo tanto, cada interruptor de enclavamiento de puerta debe proporcionar tantos pares de contactos secos como máquinas haya para interconectarse. Un par de contactos de interruptor nunca deben ser compartidos por dos o más máquinas.
- 5.5.7. Señalización recomendada**—Los letreros de seguridad deben colocarse a lo largo de la barrera y en cada puerta, para alertar al personal sobre los peligros que supone acceder al interior. Como mínimo, el tamaño de las letras y la distancia entre los carteles debe tener el tamaño adecuado para que cualquier persona que se plantee acceder a la zona cercada, primero, pueda ver y leer el cartel. La redacción debe proporcionarse en la lengua materna del personal de la lavandería.

— Fin de BISUUI01 —

6. Interruptores de seguridad de la puerta de la barrera de seguridad para el cableado en Milnor® cintas, prensas y extractores centrifugos

Este documento se utiliza junto con el documento de Milnor W6SYSSG “Información esquemática de los sistemas Micro 6: Interruptor de la puerta de la barrera de seguridad proporcionado por el cliente”.

Encontrará este documento esquemático en la guía del circuito de la máquina. En estos documentos se describe cómo conectar un interruptor de la puerta proporcionado por el cliente o una serie de interruptores a una cinta, prensa o extractor centrifugo Milnor. En el otro documento de Milnor —BISUUI01 “Protección de proximidad para cintas transportadoras automáticas”— se tratan los riesgos generales que suponen las barreras de seguridad.

6.1. Precauciones



ADVERTENCIA [16]: Riesgos de electrocución y quemaduras por electricidad—El contacto con la electricidad puede ocasionarle lesiones graves o la muerte. La electricidad está presente dentro del gabinete, a menos que el interruptor principal, fuera de la máquina, esté desconectado.

- No realice ningún servicio a la máquina a menos que esté cualificado y autorizado. Comprenda claramente los peligros y la manera de evitarlos.
- Realice todo el trabajo con la potencia de la máquina bloqueada/etiquetada.



ADVERTENCIA [17]: Riesgos de golpes o aplastamiento—Cualquier máquina que se desplace, como sería el caso de una lanzadera, puede golpearlo, aplastarlo o atraparlo si monta en ella o se interpone en su camino. Las máquinas en desplazamiento o sus componentes pueden moverse en cualquier dirección de manera automática. El poner en línea una máquina alimentando de energía su control puede invocar de inmediato a una lanzadera o alguna otra máquina que se desplace.

- Bloquee y señalice la energía en la desconexión principal de la máquina móvil si debe de desempeñar un trabajo en su camino.

6.2. Pautas de cableado

Como se explica en el documento BISUUI01, el interruptor de enclavamiento de la puerta debe tener un polo por máquina para permitir el bloqueo. Cada polo del interruptor se debe aislar eléctricamente de los demás polos del interruptor. El circuito de enclavamiento de la puerta de una máquina se compone de un circuito en serie que incluye un polo por interruptor (por puerta). El circuito está conectado y forma parte del circuito trifásico de la máquina (véase la definición siguiente).

circuito trifásico—un circuito que proporciona potencia de control para todas las funciones de la máquina.

Cualquier de los dispositivos de seguridad del circuito trifásico abrirá el circuito y detendrá el funcionamiento de la máquina si se detecta un fallo. Una vez abierto, el circuito trifásico solo se puede cerrar mediante intervención manual y únicamente si se rectifica la condición que abrió el circuito.

W6SYSSG representa esquemáticamente varios segmentos de circuito que el técnico puede encontrar, según el tipo y la antigüedad de la máquina. Solo una imagen coincidirá con una máquina determinada. Consultar los esquemas eléctricos de su máquina puede resultar útil. Sin embargo, debe poder identificar los componentes eléctricos pertinentes al consultar las etiquetas situadas dentro de las puertas de la caja eléctrica en su máquina. Utilizará uno de los dos métodos de cableado según el segmento de circuito de W6SYSSG que corresponda a su máquina:

1. **Terminales puenteados**—retire el puente y conecte los dos conductores entrantes a los terminales (clavijas) donde se han quitado los puentes. El puente incluye una etiqueta de fábrica que permite identificarlo como el punto de conexión del interruptor de enclavamiento de la puerta.
2. **Circuitos que deben dividirse**—localice los puntos de conexión correspondientes (por ejemplo, un pasador en un interruptor) en los que dividir el circuito y conectar los conductores entrantes. Es posible que sea necesario empalmar los cables para completar la conexión.

Interruptores de seguridad de la puerta de la barrera de seguridad para el cableado en Milnor® cintas, prensas y extractores centrifugos

6.3. Prueba

Una vez que se completa el cableado, es indispensable probar el sistema para asegurar de lo siguiente:

1. todos los enclavamientos de puerta funcionan correctamente y
2. todos los componentes que formaban parte del circuito trifásico de la máquina antes de que se agregaran los enclavamientos de puerta siguen funcionando correctamente. El objetivo es garantizar que el cableado adicional no omita involuntariamente los componentes existentes.

6.3.1. Prueba de enclavamientos de puerta

1. Cierre todas las puertas.
2. Restaure la potencia de todas las máquinas enclavadas.
3. **Para cada puerta:**
 - a. Encienda todas las máquinas con enclavamiento (Ⓢ) y colóquelas en el modo *Manual* (todas las máquinas paradas en el manual).
 - b. Abra la puerta y compruebe que todas las máquinas enclavadas se hayan apagado (como lo indican las alarmas del operario individual).
 - c. Cierre la puerta para que se pueda comprobar la siguiente.

6.3.2. Prueba de componentes del circuito trifásico en cada máquina con enclavamiento—Suelen incluir los componentes indicados en [Tabla 1](#).

Tabla 1: Componentes habituales del circuito trifásico

Componente	Localización		
	Cinta	Prensa	Extractor centrifugo
Botón de parada (O) en el panel de control	✓	✓	✓
Interruptores de parada de emergencia (botón de bloqueo)	✓	✓	✓
Puerta de acceso con elevación manual (normalmente, dos por máquina)		✓	
Panel de acceso con retirada manual (normalmente, dos por máquina)			✓
Cable tractor (algunas cintas)	✓		
Placa de protección (normalmente, dos por máquina)	✓		

Pruebe cada máquina enclavada de la siguiente manera:

1. Arranque la máquina y colóquela en el modo *Manual* (máquina parada en modo manual).
2. Para cada uno de los componentes del circuito trifásico en la máquina, realice lo siguiente:
 - a. Accione el componente (por ejemplo, presione el botón de parada) y compruebe que la máquina se apaga (como lo indica la alarma del operario).
 - b. En caso necesario, desactive el componente. Por ejemplo, apague el interruptor de parada de emergencia o cierre una puerta de acceso, para poder probar el siguiente componente.

— Fin de BISUII02 —