

Published Manual Number/ECN: MTPEUS02UU/20051111

- Publishing System: TPAS
- Access date: 12/6/2005
- Document ECN's: Latest Available



CE—

**Safety Guide - Centrifugal
Extractor**

Veiligheid - Centrifuge

Securite - Essoreuse - centrifuge

Sicherheit - Entwässerungszentrifuge

Sicurezza - Centrifuga

**Guía de seguridad - Extractor
Centrifugo**

**Instrukcja bezpieczeństwa
- Wirówki**



Please Read

About the Manual Identifying Information on the Cover

The front cover displays pertinent identifying information for this manual. Most important, are the published manual number (part number) /ECN (date code). Generally, when a replacement manual is furnished, it will have the same published manual number, but the latest available ECN. This provides the user with the latest information applicable to his machine. Similarly all documents comprising the manual will be the latest available as of the date the manual was printed, **even though older ECN dates for those documents may be listed in the table of contents.**

When communicating with the Milnor factory regarding this manual, please also provide the other identifying information shown on the cover, including the publishing system, access date, and whether the document ECN's are the latest available or exact.

References to Yellow Troubleshooting Pages

This manual may contain references to "yellow pages." Although the pages containing troubleshooting procedures are no longer printed on yellow paper, troubleshooting instructions, if any, will be contained in the easily located "Troubleshooting" chapter or section. See the table of contents.

Trademarks of Pellerin Milnor Corporation

The following, some of which may be used in this manual, are trademarks of Pellerin Milnor Corporation:

Ampsaver [®]	Dye-Extractor [®]	Gear Guardian [®]	Milnet [®]	Staph-Guard [®]
Autolint [®]	Dyextractor [®]	Hands-Off [®]	Milnor [®]	System 4 [®]
Auto-Purge [®]	E-P Express [®]	Hydro-Cushion [®]	Miltrac	System 7 [®]
Autovac	E-P OneTouch [®]	Mildata [®]	Miltron	Totaltrol [®]
CBW [®]	E-P Plus [®]			

Comments and Suggestions

Help us to improve this manual by sending your comments to:

Pellerin Milnor Corporation
Attn: Technical Publications
P. O. Box 400
Kenner, LA 70063-0400

Fax: (504) 469-1849

Table of Contents
for MTPEUS02UU/20051111
Safety Guide - Centrifugal Extractor

Page	Description	Document/ECN
1	Section 1: English	
3	Safety Guide - Centrifugal Extractor	MTPEUS02EN/20051111
17	Section 2: Nederlands	
19	Veiligheid—Centrifuge	MTPEUS02DU/20051111
33	Section 3: Français	
35	Securite— Essoreuse - centrifuge	MTPEUS02FR/20051111
49	Section 4: Deutsch	
51	Sicherheit—Entwässerungszentrifuge	MTPEUS02GE/20051111
67	Section 5: Italiano	
69	Sicurezza—Centrifuga	MTPEUS02IT/20051111
83	Section 6: Español	
85	Guía de seguridad—Extractor Centrifugo	MTPEUS02SP/20051111
99	Section 7: Polski	
101	Instrukcja bezpieczeństwa—Wirówki	MTPEUS02PL/20051111

Section
English

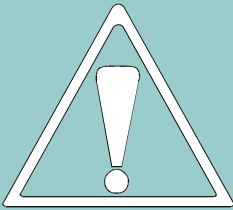
1



Published Manual Number: MTPEUS02

- Specified Date: 20051111
- As-of Date: 20051111
- Access Date: 20051116
- Custom: n/a
- Applicability: PEU
- Language Code: ENG01, Purpose: publication, Format: 1colA

Safety Guide— Centrifugal Extractor



Applicable Milnor® products by model number:

M7E4232C M7E4232L M7E4232R M7V4232C M7V4232L M7V4232R M7V4836C
M7V4840C M9E4232C M9E4232L M9E4232R M9V4232C M9V4232L M9V4232R
MXV4232C

Table of Contents

Sections	Figures, Tables, and Supplements
1. General Safety Requirements—Vital Information for Management Personnel (Document BIUUUS04)	
1.1. Laundry Facility	
1.2. Personnel	
1.3. Safety Devices	
1.4. Hazard Information	
1.5. Maintenance	
2. Internal Electrical and Mechanical Hazards (Document BIUUUS21)	
2.1. Safety Placards—Internal Electrical and Mechanical Hazards (Document BIUUUS15)	Figure 1: Internal Electrical and Mechanical Hazards
2.2. Safety Alert Messages—Internal Electrical and Mechanical Hazards (Document BIUUUS11)	
3. External Mechanical Hazards (Document BIUUUS22)	
3.1. Safety Placards—External Mechanical Hazards (Document BIUUUS16)	Figure 2: External Mechanical Hazards
3.2. Safety Alert Messages—External Mechanical Hazards (Document BIUUUS12)	
4. Cylinder and Processing Hazards (Document BIUUUS23)	
4.1. Safety Placards—Cylinder and Processing Hazards (Document BIUUUS17)	Figure 3: Cylinder and Processing Hazards
4.2. Safety Alert Messages—Cylinder and Processing Hazards (Document BIUUUS13)	
5. Safety Alert Messages—Unsafe Conditions (Document BIUUUS14)	
5.1. Damage and Malfunction Hazards	
5.1.1. Hazards Resulting from Inoperative Safety Devices	
5.1.2. Hazards Resulting from Damaged Mechanical Devices	
5.2. Careless Use Hazards	

Table of Contents

Sections	Figures, Tables, and Supplements
5.2.1. Careless Operation Hazards—Vital Information for Operator Personnel (see also operator hazards throughout manual)	
5.2.2. Careless Servicing Hazards—Vital Information for Service Personnel (see also service hazards throughout manuals)	

1. General Safety Requirements—Vital Information for Management Personnel

Incorrect installation, neglected preventive maintenance, abuse, and/or improper repairs, or changes to the machine can cause unsafe operation and personal injuries, such as multiple fractures, amputations, or death. The owner or his selected representative (owner/user) is responsible for understanding and ensuring the proper operation and maintenance of the machine. The owner/user must familiarize himself with the contents of all machine instruction manuals. The owner/user should direct any questions about these instructions to a Milnor® dealer or the Milnor® Service department.

Most regulatory authorities (including OSHA in the USA and CE in Europe) hold the owner/user ultimately responsible for maintaining a safe working environment. Therefore, the owner/user must do or ensure the following:

- recognize all foreseeable safety hazards within his facility and take actions to protect his personnel, equipment, and facility;
- work equipment is suitable, properly adapted, can be used without risks to health or safety, and is adequately maintained;
- where specific hazards are likely to be involved, access to the equipment is restricted to those employees given the task of using it;
- only specifically designated workers carry out repairs, modifications, maintenance, or servicing;
- information, instruction, and training is provided;
- workers and/or their representatives are consulted.

Work equipment must comply with the requirements listed below. The owner/user must verify that installation and maintenance of equipment is performed in such a way as to support these requirements:

- control devices must be visible, identifiable, and marked; be located outside dangerous zones; and not give rise to a hazard due to unintentional operation;
- control systems must be safe and breakdown/damage must not result in danger;
- work equipment is to be stabilized;
- protection against rupture or disintegration of work equipment;
- guarding, to prevent access to danger zones or to stop movements of dangerous parts before the danger zones are reached. Guards to be robust; not give rise to any additional hazards; not be easily removed or rendered inoperative; situated at a sufficient distance from the danger zone; not restrict view of operating cycle; allow fitting, replacing, or maintenance by restricting access to relevant area and without removal of guard/protection device;
- suitable lighting for working and maintenance areas;
- maintenance to be possible when work equipment is shut down. If not possible, then protection measures to be carried out outside danger zones;
- work equipment must be appropriate for preventing the risk of fire or overheating; discharges of gas, dust, liquid, vapor, other substances; explosion of the equipment or substances in it.

1.1. Laundry Facility

Provide a supporting floor that is strong and rigid enough to support—with a reasonable safety factor and without undue or objectionable deflection—the weight of the fully loaded machine and the forces transmitted by it during operation. Provide sufficient clearance for machine movement.

Provide any safety guards, fences, restraints, devices, and verbal and/or posted restrictions necessary to prevent personnel, machines, or other moving machinery from accessing the machine or its path. Provide adequate ventilation to carry away heat and vapors. Ensure service connections to installed machines meet local and national safety standards, especially regarding the electrical disconnect (see the National Electric Code). Prominently post safety information, including signs showing the source of electrical disconnect.

1.2. Personnel

Inform personnel about hazard avoidance and the importance of care and common sense. Provide personnel with the safety and operating instructions that apply to them. Verify that personnel use proper safety and operating procedures. Verify that personnel understand and abide by the warnings on the machine and precautions in the instruction manuals.

1.3. Safety Devices

Ensure that no one eliminates or disables any safety device on the machine or in the facility. Do not allow machine to be used with any missing guard, cover, panel or door. Service any failing or malfunctioning device before operating the machine.

1.4. Hazard Information

Important information on hazards is provided on the machine safety placards, in the Safety Guide, and throughout the other machine manuals. **Placards must be kept clean so that the information is not obscured. They must be replaced immediately if lost or damaged. The Safety Guide and other machine manuals must be available at all times to the appropriate personnel.** See the machine service manual for safety placard part numbers. Contact the Milnor Parts department for replacement placards or manuals.

1.5. Maintenance

Ensure the machine is inspected and serviced in accordance with the norms of good practice and with the preventive maintenance schedule. Replace belts, pulleys, brake shoes/disks, clutch plates/tires, rollers, seals, alignment guides, etc. before they are severely worn. Immediately investigate any evidence of impending failure and make needed repairs (e.g., cylinder, shell, or frame cracks; drive components such as motors, gear boxes, bearings, etc., whining, grinding, smoking, or becoming abnormally hot; bending or cracking of cylinder, shell, frame, etc.; leaking seals, hoses, valves, etc.) Do not permit service or maintenance by unqualified personnel.

— End of BIUUUS04 —

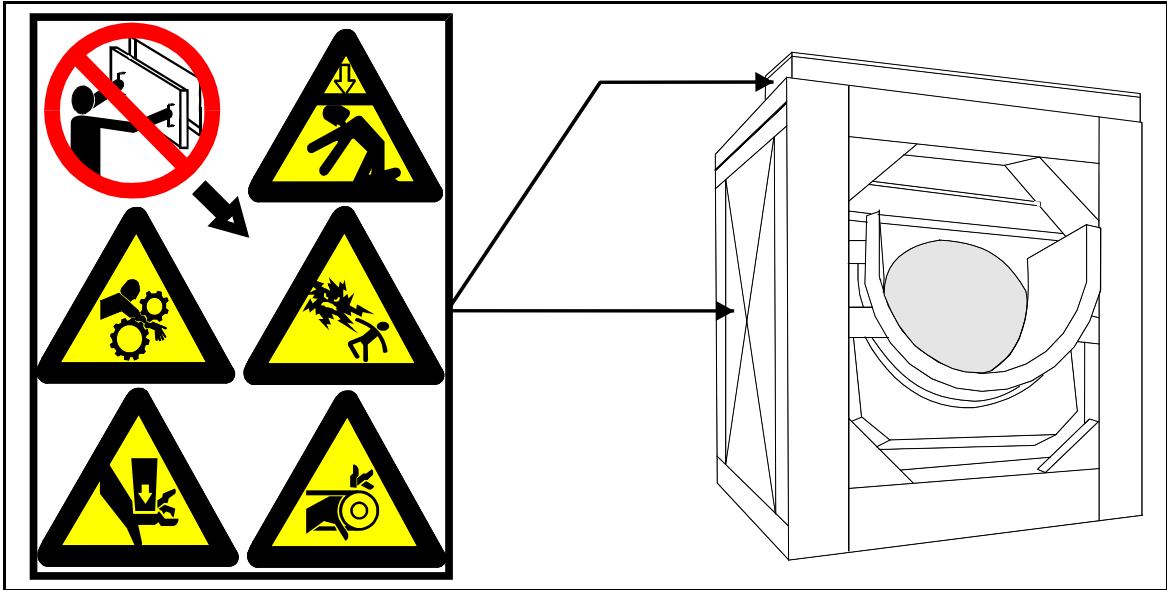
2. Internal Electrical and Mechanical Hazards

2.1. Safety Placards—Internal Electrical and Mechanical Hazards

[Document BIUUUS15]

One or more safety placards on the machine, similar to the following, alert personnel to hazards inside the machine and in electrical enclosures.

Figure 1: Internal Electrical and Mechanical Hazards



2.2. Safety Alert Messages—Internal Electrical and Mechanical Hazards [Document BIUUUS11]

The following are instructions about hazards inside the machine and in electrical enclosures.



WARNING 1: Electrocution and Electrical Burn Hazards—Contact with electric power can kill or seriously injure you. Electric power is present inside the cabinetry unless the main machine power disconnect is off.

- Do not unlock or open electric box doors.
- Do not remove guards, covers, or panels.
- Do not reach into the machine housing or frame.
- Keep yourself and others off of machine.
- Know the location of the main machine disconnect and use it in an emergency to remove all electric power from the machine.



WARNING 2: Entangle and Crush Hazards—Contact with moving components normally isolated by guards, covers, and panels, can entangle and crush your limbs. These components move automatically.

- Do not remove guards, covers, or panels.
- Do not reach into the machine housing or frame.
- Keep yourself and others off of machine.
- Know the location of all emergency stop switches, pull cords, and/or kick plates and use

them in an emergency to stop machine motion.



WARNING 3: Crush Hazards—Tilting machines only—The machine housing will crush your body or limbs if it descends or falls while you are under it. Housing can descend with power off or on. Manual operation of tilting valves overrides safety interlocks. Improper operation of manual tilting valves may cause the housing to descend.

- Do not remove guards, covers, or panels.
- Do not reach into the machine housing or frame.

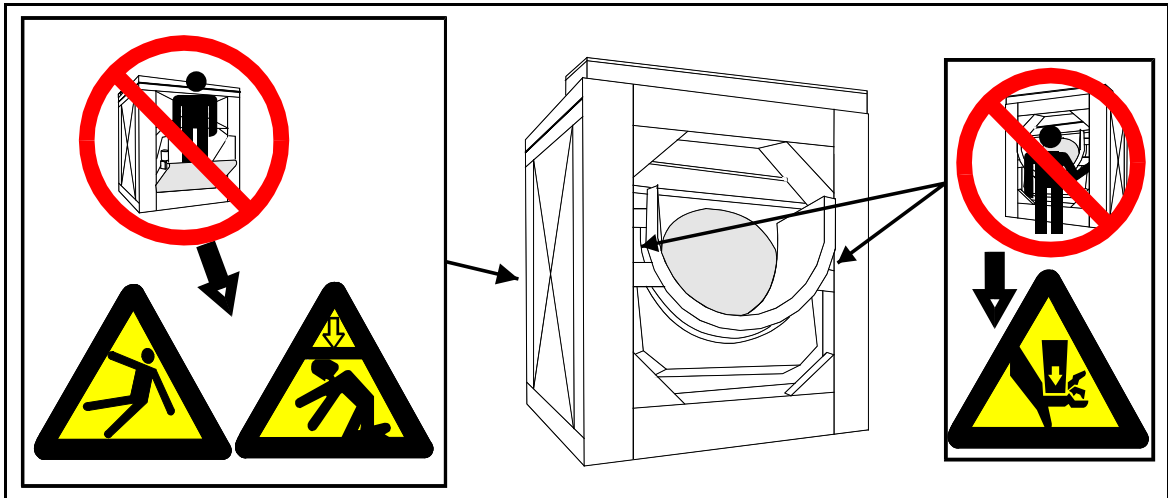
— End of BIUUUS21 —

3. External Mechanical Hazards

3.1. Safety Placards—External Mechanical Hazards [Document BIUUUS16]

One or more safety placards on the machine, similar to the following, alert personnel to hazards around the front, sides, rear or top of the machine.

Figure 2: External Mechanical Hazards



3.2. Safety Alert Messages—External Mechanical Hazards [Document BIUUUS12]

The following are instructions about hazards around the front, sides, rear or top of the machine.



WARNING 4: Crush Hazards—Suspended machines only—Spaces between the shell and housing can close and crush or pinch your limbs. The shell moves within the housing during operation.

- Do not reach into the machine housing or frame.
- Keep yourself and others clear of movement areas and paths.



WARNING 5: Fall, Entangle, and Strike Hazards—Machine motion can cause you to fall or become entangled in or struck by nearby objects if you stand, walk, or ride on the machine. Shuttles and conveyor belts move automatically.

- Keep yourself and others off of machine.

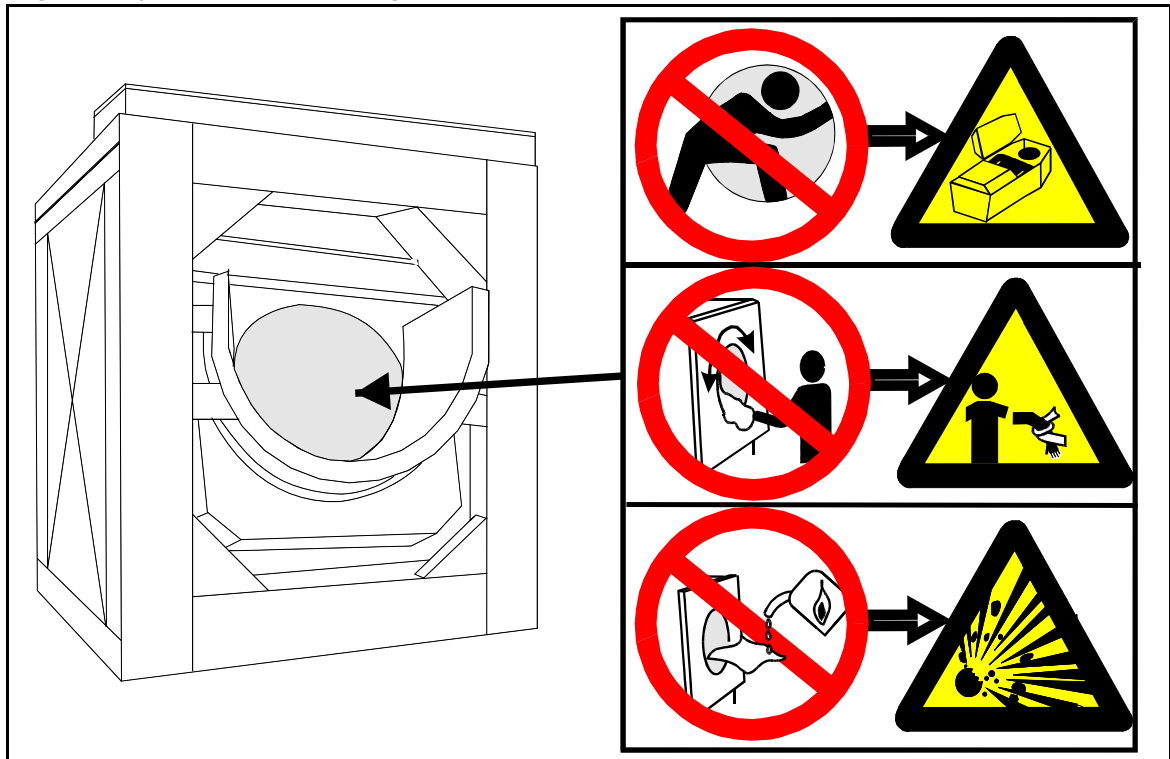
— End of BIUUUS22 —

4. Cylinder and Processing Hazards

4.1. Safety Placards—Cylinder and Processing Hazards [Document BIUUUS17]

One or more safety placards on the machine, similar to the following, alert personnel to hazards related to the cylinder and laundering process.

Figure 3: Cylinder and Processing Hazards



4.2. Safety Alert Messages—Cylinder and Processing Hazards

[Document BIUUUS13]

The following are instructions about hazards related to the cylinder and laundering process.



DANGER 6: Entangle and Sever Hazards—Contact with goods being processed can cause the goods to wrap around your body or limbs and dismember you.

- Do not attempt to open the door or reach into the cylinder until the cylinder is stopped.
- Do not touch goods inside or hanging partially outside the turning cylinder.
- Know the location of all emergency stop switches, pull cords, and/or kick plates and use them in an emergency to stop machine motion.
- Know the location of the main machine disconnect and use it in an emergency to remove all electric power from the machine.



WARNING 7: Crush Hazards—Contact with the turning cylinder can crush your limbs. The cylinder will repel any object you try to stop it with, possibly causing the object to strike or stab you.

- Lock out and tag out power at the main machine disconnect before reaching into the

Cylinder and Processing Hazards

cylinder.

- Do not place any object in the turning cylinder.



WARNING 8: Confined Space Hazards—Confinement in the cylinder can kill or injure you. Hazards include but are not limited to panic, burns, poisoning, suffocation, heat prostration, biological contamination, electrocution, and crushing.

- Do not attempt unauthorized servicing, repairs, or modification.



WARNING 9: Explosion and Fire Hazards—Flammable substances can explode or ignite in the cylinder, drain trough, or sewer. The machine is designed for washing with water, not any other solvent. Processing can cause solvent-containing goods to give off flammable vapors.

- Do not use flammable solvents in processing.

— End of BIUUUS23 —

5. Safety Alert Messages—Unsafe Conditions

5.1. Damage and Malfunction Hazards

5.1.1. Hazards Resulting from Inoperative Safety Devices



WARNING 10: Multiple Hazards—Operating the machine with an inoperative safety device can kill or injure personnel, damage or destroy the machine, damage property, and/or void the warranty.

- Do not tamper with or disable any safety device or operate the machine with a malfunctioning safety device. Request authorized service.



WARNING 11: Electrocution and Electrical Burn Hazards—Electric box doors—Operating the machine with any electric box door unlocked can expose high voltage conductors inside the box.

- Do not unlock or open electric box doors.



WARNING 12: Entangle and Crush Hazards—Guards, covers, and panels—Operating the machine with any guard, cover, or panel removed exposes moving components.

- Do not remove guards, covers, or panels.

5.1.2. Hazards Resulting from Damaged Mechanical Devices



WARNING 13: Multiple Hazards—Operating a damaged machine can kill or injure personnel, further damage or destroy the machine, damage property, and/or void the warranty.

- Do not operate a damaged or malfunctioning machine. Request authorized service.



WARNING 14: Explosion Hazards—Cylinder—A damaged cylinder can rip apart during extraction, puncturing the shell and discharging metal fragments at high speed.

- Do not operate the machine with any evidence of damage or malfunction.

5.2. Careless Use Hazards

5.2.1. Careless Operation Hazards—Vital Information for Operator Personnel (see also operator hazards throughout manual)



WARNING 15: Multiple Hazards—Careless operator actions can kill or injure personnel, damage or destroy the machine, damage property, and/or void the warranty.

- Do not tamper with or disable any safety device or operate the machine with a malfunctioning safety device. Request authorized service.
- Do not operate a damaged or malfunctioning machine. Request authorized service.
- Do not attempt unauthorized servicing, repairs, or modification.
- Do not use the machine in any manner contrary to the factory instructions.
- Use the machine only for its customary and intended purpose.
- Understand the consequences of operating manually.



CAUTION [16]: Goods Damage and Wasted Resources—Entering incorrect cake data causes improper processing, routing, and accounting of batches.

- Understand the consequences of entering cake data.

5.2.2. Careless Servicing Hazards—Vital Information for Service Personnel (see also service hazards throughout manuals)



WARNING [17]: Electrocuting and Electrical Burn Hazards—Contact with electric power can kill or seriously injure you. Electric power is present inside the cabinetry unless the main machine power disconnect is off.

- Do not service the machine unless qualified and authorized. You must clearly understand the hazards and how to avoid them.
- Abide by the current OSHA lockout/tagout standard when lockout/tagout is called for in the service instructions. Outside the USA, abide by the OSHA standard in the absence of any other overriding standard.



WARNING [18]: Entangle and Crush Hazards—Contact with moving components normally isolated by guards, covers, and panels, can entangle and crush your limbs. These components move automatically.

- Do not service the machine unless qualified and authorized. You must clearly understand the hazards and how to avoid them.
- Abide by the current OSHA lockout/tagout standard when lockout/tagout is called for in the service instructions. Outside the USA, abide by the OSHA standard in the absence of any other overriding standard.



WARNING [19]: Crush Hazards—Tilting machines only—The machine housing will crush your body or limbs if it descends or falls while you are under it. Housing can descend with power off or on. Manual operation of tilting valves overrides safety interlocks. Improper operation of manual tilting valves may cause the housing to descend.

- Secure both red safety supports in accordance with the instructions furnished, then lock out and tag out power at the main machine disconnect before working under the tilted machine.
- Do not operate the manual tilt valves with anyone under the machine.
- Do not operate the tilt controls with anyone under the machine.



WARNING [20]: Confined Space Hazards—Confinement in the cylinder can kill or injure you. Hazards include but are not limited to panic, burns, poisoning, suffocation, heat prostration, biological contamination, electrocution, and crushing.

- Do not enter the cylinder until it has been thoroughly purged, flushed, drained, cooled, and immobilized.

— End of BIUUUS14 —

Section
Nederlands

2

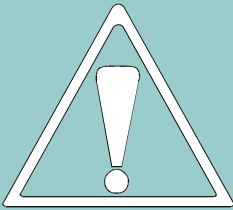


Published Manual Number: MTPEUS02

- Specified Date: 20051111
- As-of Date: 20051111
- Access Date: 20051121
- Custom: n/a
- Applicability: PEU
- Language Code: DUT01, Purpose: publication, Format: 1colA

VEILIGHEID—

Centrifuge



WARRSCHUWING: De in deze handleiding opgenomen informatie is door Pellerin Milnor Corporation **alleen in het Engels** voorzien. Milnor heeft getracht een vertaling van goede kwaliteit te verkrijgen, maar maakt geen claims, doet geen beloften en biedt geen garanties betreffende de nauwkeurigheid, volledigheid of adequaatheid van de in de niet-Engelse versie opgenomen informatie.

Bovendien heeft Milnor geen enkele poging gedaan de in de niet-Engelse versie opgenomen informatie te controleren, aangezien dit geheel door derden is gedaan. Om deze redenen wijst Milnor uitdrukkelijk elke aansprakelijkheid voor fouten wat betreft inhoud of vorm af en neemt zij geen enkele verantwoordelijkheid op zich voor vertrouwen op, of gevolgen van, het gebruik van de informatie in de niet-Engelse versie.

Milnor, of diens lasthebbers of functionarissen, zijn in geen enkel geval aansprakelijk voor directe, indirecte, incidentele of strafrechtelijke schade of gevolgschade die op welke wijze dan ook het gevolg is van het gebruik van, of onvermogen tot gebruik van, of vertrouwen op, de niet-Engelse versie van deze handleiding, of die het gevolg is van fouten, weglatingen of vergissingen in de vertaling.

Toepasselijk Milnor® producten op modelnummer:

M7E4232C M7E4232L M7E4232R M7V4232C M7V4232L M7V4232R M7V4836C
M7V4840C M9E4232C M9E4232L M9E4232R M9V4232C M9V4232L M9V4232R
MXV4232C

Inhoudsopgave

Secties

Afbeeldingen, tabellen en supplementen

1. Algemene Veiligheids Eisen—Essentiële informatie voor Management personeel.

(Document BIUUUS04)

- 1.1. Wasserij Bedrijf
- 1.2. Personeel / Medewerkers
- 1.3. Veiligheids Onderdelen
- 1.4. Risico-informatie
- 1.5. Onderhoud

2. Intern Elektrisch en Mechanisch Gevaar (Document BIUUUS21)

- 2.1. Veiligheidsplaten—Intern Elektrisch en Mechanisch Gevaar (Document BIUUUS15)
- 2.2. Veiligheidswaarschuwingen—Intern Elektrisch en Mechanisch Gevaar (Document BIUUUS11)

Afbeelding 1: Intern Elektrisch en Mechanisch Gevaar

3. Extern Mechanisch Gevaar (Document BIUUUS22)

- 3.1. Veiligheidsplaten—Extern Mechanisch Gevaar (Document BIUUUS16)
- 3.2. Veiligheidswaarschuwingen—Extern Mechanisch Gevaar (Document BIUUUS12)

Afbeelding 2: Extern Mechanisch Gevaar

4. Trommel en Programma Gevaar (Document BIUUUS23)

- 4.1. Veiligheidsplaten—Trommel en Programma Gevaar (Document BIUUUS17)
- 4.2. Veiligheidswaarschuwingen—Trommel en Programma Gevaar (Document BIUUUS13)

Afbeelding 3: Trommel en Programma Gevaar

5. Veiligheidswaarschuwingen—Onveilige voorwaarde (Document BIUUUS14)

- 5.1. Schade en defekt Gevaar
 - 5.1.1. Risico's Door Buiten Gebruik Zijnde Veiligheids Onderdelen
 - 5.1.2. Risico's Door Defekte Mechanische Onderdelen
- 5.2. Gevaar bij onzorgvuldig gebruik

Secties	Afbeeldingen, tabellen en supplementen
5.2.1. Slordige Bedienings Risico's-Essentiële Informatie voor Bedienings Personeel (Zie ook Bedienings Waarschuwingen in de gehele handleiding)	
5.2.2. Nalatige Service/Onderhouds Risico's-Essentiële Informatie voor Onderhouds Personeel (Zie ook onderhouds waarschuwingen in de gehele handleiding)	

1. Algemene Veiligheids Eisen—Essentiële informatie voor Management personeel.

Incorrecte installatie, nagelaten preventief onderhoud, misbruik, en/of verkeerde reparaties, of wijzigingen aan de machine kunnen onveilige werking en persoonlijke ongevallen veroorzaken, zoals meervoudige fracturen, amputaties of met dodelijke afloop. De eigenaar of beheerder is verantwoordelijk voor de werking van de machine en moet zorgdragen voor goede bediening en onderhoud. De eigenaar/gebruiker moet op de hoogte zijn van de inhoud van alle instructie boeken. De eigenaar/gebruiker behoort vragen over de instructies alleen aan een Milnor® dealer of de Milnor® Service afdeling te stellen.

De meeste regelgevende instanties (inclusief OSHU in de VS en de CE in Europa) houden de eigenaar/gebruiker uiteindelijk verantwoordelijk voor het zorgen voor een veilige werkomgeving. Daarom moet de eigenaar het volgende doen of garanderen:

- herkennen van alle zichtbare veiligheids risico's/gebreken binnen zijn bedrijf en actie ondernemen om zijn personeel, apparatuur en bedrijf te beschermen.
- de installatie is geschikt, goed geïnstalleerd, kan gebruikt worden zonder risico voor gezondheid of veiligheid, en is naar behoren onderhouden
- waar het specifieke gevaren betreft, is toegang tot de installatie beperkt tot aangewezen personeel om het te gebruiken;
- alleen met name aangestelde medewerkers voeren reparaties, modificaties, onderhoud of service uit;
- informatie, instructie en opleiding is voorzien;
- medewerkers en/of hun vervangers zijn geraadpleegd.

De installatie moet voldoen aan de eisen zoals onderstaand weergegeven. De eigenaar/gebruiker moet controleren dat het installeren en onderhouden van de installatie zodanig is gebeurd dat het overeenkomt met deze eisen:

- besturings apparaten moeten zichtbaar, herkenbaar en gemerkt zijn; geplaatst zijn buiten gevaar zones; en geen gevaar opleveren bij verkeerd gebruik;
- besturings systemen moeten veilig zijn en uitvallen of schade moet geen gevaar opleveren;
- de installatie moet gestabiliseerd zijn;
- bescherming tegen scheuren en uiteenvallen van een installatie;
- hekken/afzettingen, ter voorkoming van het binnengaan van gevaarlijke zones of voor het stoppen van gevaarlijke bewegende delen voordat ze de gevaren zone bereiken. Hekken dienen stevig te zijn; geen extra gevaar op te leveren; niet gemakkelijk te verwijderen of buiten gebruik te stellen zijn; geplaatst op voldoende afstand van de gevaren zone; geen uitzicht te belemmeren op het proces; aanpassen, vervangen of onderhoud niet te belemmeren in de nabije omgeving en zonder verwijdering van deze hekken;
- geschikte verlichting voor werk- en onderhouds omgeving;
- onderhoud moet mogelijk zijn als de installatie buiten gebruik is. Indien niet mogelijk, dan beschermings verordeningen buiten de gevaren zones;
- de installatie moet uitgerust zijn ter voorkoming van brand of oververhitting; lekken van gas, stof, vloeistof, damp, andere substanties; exploderen van de installatie of substanties erin.

1.1. Wasserij Bedrijf

Zorg voor een vloer die sterk en stijf genoeg is om, met redelijke veiligheids factor/marge en zonder overmatige of bedenkelijke buiging het gewicht van een geladen machine en de

vrijkomende krachten tijdens het werken, de machine te dragen. Geef de machine voldoende ruimte om te bewegen. Zorg voor veiligheids kettingen, hekken, belemmeringen, apparaten en mondelinge en/of aangeplakte waarschuwingen om te voorkomen dat personeel, machines en andere bewegende machines in de nabijheid komen. Zorg voor adequate/goede ventilatie om hitte en dampen af te voeren. Zorg voor goede aansluitingen bij de geïnstalleerde machines die voldoen aan de plaatselijke en landelijke eisen, vooral voor de elektrische aansluiting. Opvallende veiligheids informatie, inclusief aanwijzing die de oorsprong van de elektrische aansluiting laten zien.

1.2. Personeel / Medewerkers

Informeer het personeel over risico vermindering en het belang van zorg en gezond verstand. Voorzie het personeel van de veiligheids en bedienings voorschriften die bij hun functie horen. Controleer dat het personeel de goede veiligheids en bedienings procedures hanteert. Controleer of het personeel de waarschuwingen op de machine en de voorzorgsmaatregelen in de handleidingen begrijpt en zich eraan houdt.

1.3. Veiligheids Onderdelen

Verzeker u ervan dat niemand enig veiligheids onderdeel van de machine of in de fabriek weghaalt of buiten gebruik stelt.

1.4. Risico-informatie

Op de veiligheidsplaatjes op de machine, in de veiligheidshandleiding en in de andere machinehandleidingen wordt belangrijke informatie over de risico's gegeven. **De platen moeten worden schoongehouden zodat de informatie goed zichtbaar blijft. Beschadigde of ontbrekende platen moeten onmiddellijk worden vervangen. De veiligheidshandleiding en andere machinehandleidingen moeten te allen tijde beschikbaar zijn voor het betreffende personeel.** Raadpleeg de onderhoudshandleiding van de machine voor onderdeelnummers van veiligheidsplaten. Neem contact op met de onderdelenafdeling van Milnor voor vervangende platen of handleidingen.

1.5. Onderhoud

Zorg ervoor dat de machine gecontroleerd en onderhouden wordt aan de hand van de normen van de praktijk en met een preventief onderhouds schema. Vervang banden, snaarschijven, remschoenen/schijven, koppelings platen/wielen, hulpwielen, seals, langseleidingen etc. voordat ze geheel versleten zijn. Onderzoek onmiddellijk mogelijk bewijs van dreigende storing en doe de noodzakelijke reparaties (b.v., trommel, voorfront of frame breuken; aandrijfonderdelen zoals motoren, verdragingskasten, lagers, etc., janken, knarsen, roken, of buitengewoon warm worden; buigen of kraken van de trommel, voorfront of frame, etc.; lekkende seals, slangen, ventielen/afsluiters, etc.) Laat geen onderhoud plegen door niet gekwalificeerd personeel.

— Einde BIUUUS04 —

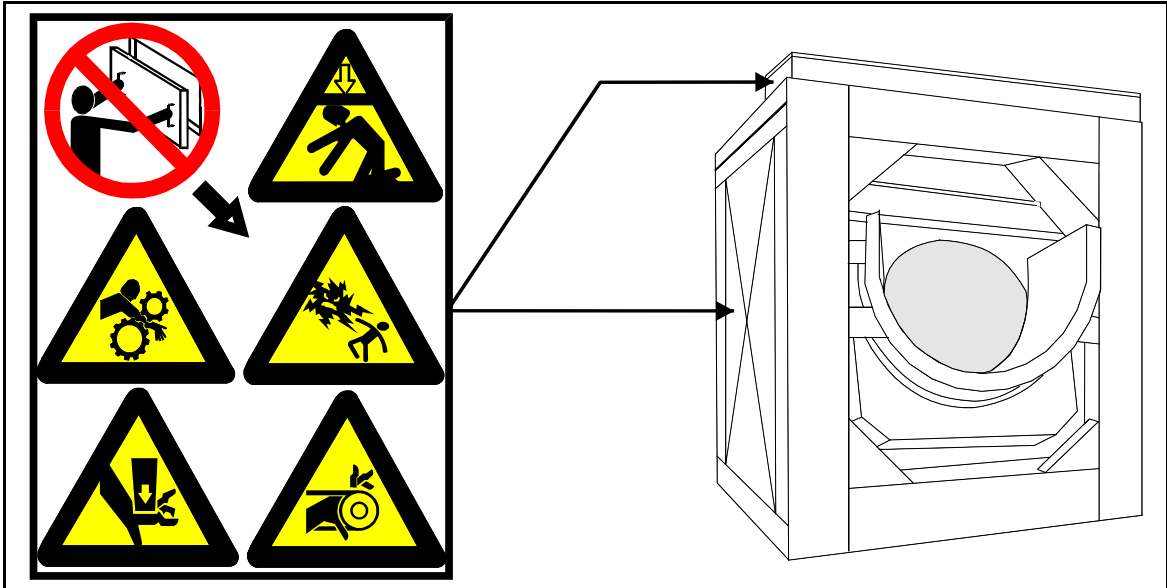
2. Intern Elektrisch en Mechanisch Gevaar

2.1. Veiligheidsplaten—Intern Elektrisch en Mechanisch Gevaar

[Document BIUUUS15]

Eén of meer veiligheidsplaten op de machine, zoals hieronder afgebeeld, maken personeel attent op de risico's in de machine en in elektrische behuizingen.

Afbeelding 1: Intern Elektrisch en Mechanisch Gevaar



2.2. Veiligheidswaarschuwingen—Intern Elektrisch en Mechanisch Gevaar [Document BIUUUS11]

Hieronder vindt u informatie over de risico's in de machine en in elektrische behuizingen.



WARRSCHUWING 1: Elektrokutie en (Ver)Brand gevaar door Elektriciteit—

Contact met elektrische spanning kan de dood of ernstig letsel tot gevolg hebben. In de machine is elektriciteitsspanning aanwezig, tenzij de hoofdvoeding van de machine is uitgeschakeld.

- Maak geen elektrische bedienings kast deuren open.
- Haal geen kettingen, kappen of panelen weg.
- Reik niet in de machine of tussen het frame.
- Houdt uzelf en anderen van de machine.
- Zorg dat u weet waar de hoofdaansluiting van de machine zit en gebruik deze bij nood om alle elektrische spanning van de machine uit te schakelen.



WARRSCHUWING 2: Vastloop / Verstrik en Verpletter Gevaar—

Kontakt met bewegende delen, normaal gesproken afgeschermd met kettingen, kappen en platen, kunnen uw ledematen verpletteren. Deze delen bewegen automatisch.

- Haal geen kettingen, kappen of panelen weg.
- Reik niet in de machine of tussen het frame.
- Houdt uzelf en anderen van de machine.
- Zorg dat u weet waar de noodschakelaar, trekkoorden en/of veiligheids-platen zitten, en

gebruik ze bij nood om de machine te stoppen.



WARRSCHUWING 3: Verpletter Gevaar—Alleen kiepende machines-De machine zal uw lichaam of ledematen verpletteren als hij zakt of valt terwijl u zich eronder bevindt. Zakken kan gebeuren met spanning uit of aan. Handmatige bediening van het kiepen omzeilt de veiligheidsvergrendelingen. Verkeerde bediening van het kiep-mechanisme kan de machine doen zakken.

- Haal geen kettingen, kappen of panelen weg.
- Reik niet in de machine of tussen het frame.

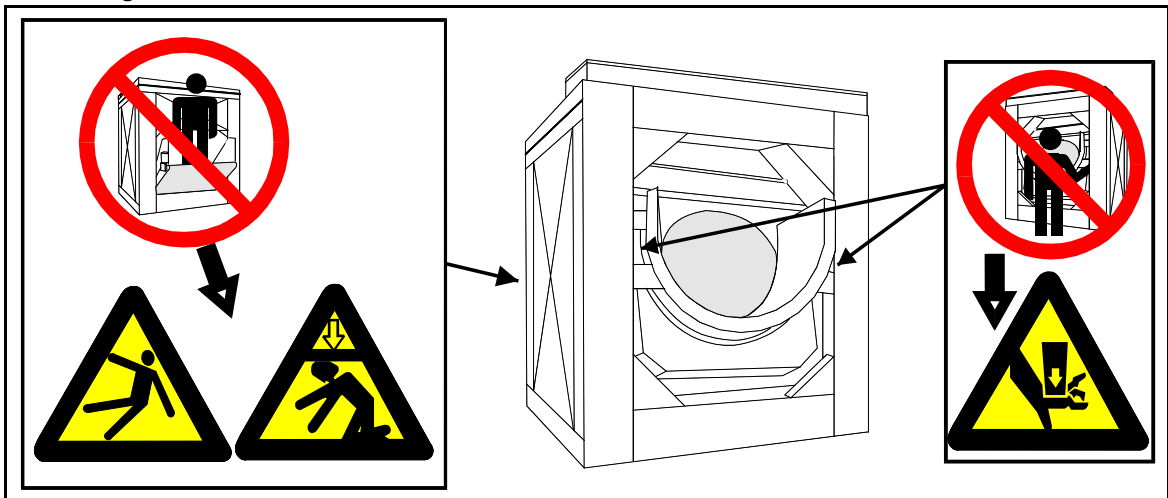
— Einde BIUUUS21 —

3. Extern Mechanisch Gevaar

3.1. Veiligheidsplaten—Extern Mechanisch Gevaar [Document BIUUUS16]

Eén of meer platen op de machine, zoals hieronder afgebeeld, maken personeel attent op de risico's aan de voorzijde, zijkanten, achterzijde of bovenzijde van de machine.

Afbeelding 2: Extern Mechanisch Gevaar



3.2. Veiligheidswaarschuwingen—Extern Mechanisch Gevaar [Document BIUUUS12]

Hieronder vindt u informatie over de risico's aan de voorzijde, zijkanten, achterzijde of bovenzijde van de machine.



WARRSCHUWING 4: Verpletter Gevaar—Alleen Verende/In veren hangende of staande machines- Ruimte tussen de wand en het frame kunnen verwijnen en uw ledematen verpletteren. De wand beweegt tijdens de werking binnen het frame.

- Reik niet in de machine of tussen het frame.
- Houdt uzelf en ieder ander weg bij verplaats gebieden en paden.



WARRSCHUWING 5: Val, Verstrik en Stoot Gevaar—Machine beweging kan u laten vallen, beklemmen of stoten door nabije apparaten als u erop staat, loopt of rijdt. De shuttle en banden bewegen automatisch.

- Houdt uzelf en anderen van de machine.

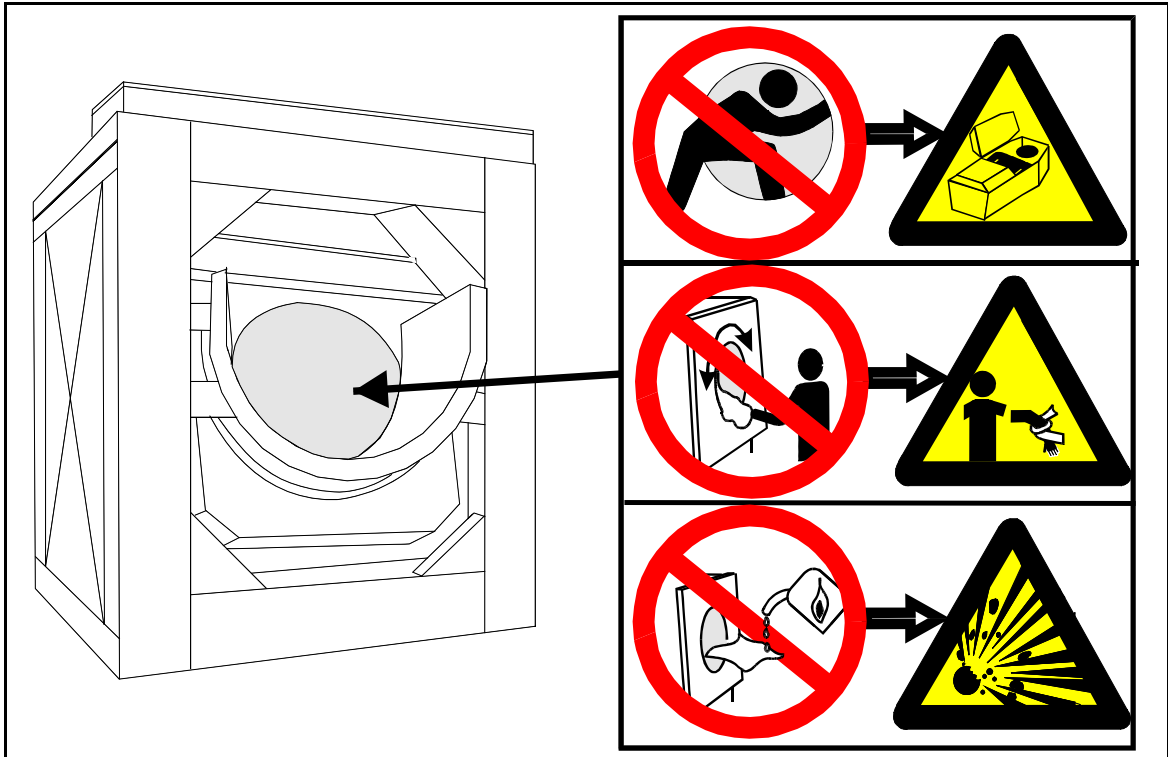
— Einde BIUUUS22 —

4. Trommel en Programma Gevaar

4.1. Veiligheidsplaten—Trommel en Programma Gevaar [Document BIUUUS17]

Eén of meer veiligheidsplaten op de machine, zoals hieronder afgebeeld, maken personeel attent op de risico's met betrekking tot de cilinder en het wasproces.

Afbeelding 3: Trommel en Programma Gevaar



4.2. Veiligheidswaarschuwingen—Trommel en Programma Gevaar

[Document BIUUUS13]

Hieronder vindt u informatie over de risico's met betrekking tot de cilinder en het wasproces.



GEVAAR 6: Vastloop / Verstrik en Afbreek Gevaar—Kontakt met te verwerken goederen kunnen de goederen om uw lichaam en ledematen draaien en u uiteen rijten / uitschakelen.

- Probeer niet de deur te openen of in de trommel te reiken voordat de trommel gestopt is.
- Raak geen goederen aan die in de draaiende trommel liggen of die er gedeeltelijk uithangen
- Zorg dat u weet waar de noodschakelaar, trekkoorden en/of veiligheids-platen zitten, en gebruik ze bij nood om de machine te stoppen.
- Zorg dat u weet waar de hoofdaansluiting van de machine zit en gebruik deze bij nood om alle elektrische spanning van de machine uit te schakelen.



WARRSCHUWING 7: Verpletter Gevaar—Kontakt met de draaiende trommel kan uw ledematen verpletteren. De trommel zal ieder object terugslaan waar u hem mee tracht te stoppen, met de mogelijkheid dat het object u raakt.

- Zet de machine af en zet de hoofd schakelaar/aansluiting uit voor onderhoud, voordat u in de trommel reikt.
- Plaats niets in de draaiende trommel.



WARRSCHUWING 8: Besloten / Te nauwe Ruimte Gevaar—In de trommel kruipen kan u doden of verwonden. Gevaar is er niet alleen voor paniek, verbranding, vergiftiging, verstikking, hitte uitputting, biologische vervuiling, elektrocutie en verplettering.

- Laat geen ongekwalificeerde mensen, onderhoud, reparaties of modificaties uitvoeren.



WARRSCHUWING 9: Explosie en Brand Gevaar—Brandbare stoffen kunnen exploderen of vlam vatten in de trommel, uitlaat, goot of riool. De machine is ontworpen om te wassen met water, niet een andere oplossing. Het werken ermee kan goederen met een chemische oplossing opleveren met brandbare dampen.

- Gebruik geen brandbare oplossingen bij het wassen.

— Einde BIUUUS23 —

5. Veiligheidswaarschuwingen—Onveilige voorwaarde

5.1. Schade en defekt Gevaar

5.1.1. Risico's Door Buiten Gebruik Zijnde Veiligheids Onderdelen



WARRSCHUWING 10: Diverse Risico's—Werken met de machine met niet werkende veiligheids voorzieningen kan personeel doden of verwonden, schade aan de machine veroorzaken of vernielen, eigendommen/apparaten vernielen en/of garantie verspelen.

- Knoei niet met of stel geen veiligheids voorzieningen buiten werking en werk niet met de machine met niet funktionerende veiligheids voorzieningen. Vraag om gekwalificeerd onderhouds personeel.



WARRSCHUWING 11: Elektrocutie en (Ver)Brand gevaar door Elektriciteit—Elektrische bedieningskast deuren—Werken met de machine met een open elektrische kastdeur kan u blootstellen aan hoog voltage geleiders in de kast.

- Maak geen elektrische bedienings kast deuren open.



WARRSCHUWING 12: Vastloop / Verstrik en Verpletter Gevaar—Kettingen, kappen en panelen—Werken met de machine met een ketting, kap of paneel verwijderd stelt u bloot aan bewegende delen.

- Haal geen kettingen, kappen of panelen weg.

5.1.2. Risico's Door Defekte Mechanische Onderdelen



WARRSCHUWING 13: Diverse Risico's—Werken met een beschadigde machine kan personeel doden of verwonden, verdere schade of vernieling van de machine, schade aan eigendommen veroorzaken en/of de garantie verspelen.

- Werk niet met een beschadigde of niet goed funktionerende machine. Vraag om gerechtigd/gemachtigd/gekwalificeerd onderhouds personeel.



WARRSCHUWING 14: Explosie en Machine Schade Gevaar—Trommel—Een beschadigde trommel kan uiteen vallen tijdens centrifugeren, de buitentrommel lek maken en metaal uitstoten op hoge snelheid.

- Gebruik de machine niet met enige schade of defekten.

5.2. Gevaar bij onzorgvuldig gebruik

5.2.1. Slordige Bedienings Risico's—Essentiële Informatie voor Bedienings Personeel (Zie ook Bedienings Waarschuwingen in de gehele handleiding)



WARRSCHUWING 15: Diverse Risico's—Slordige manier van werken van personen kan dood of verwonding veroorzaken van het personeel, kan de machine beschadigen of vernielen, eigendom/apparaten vernielen en/of de garantie verspelen.

- Knoei niet met of stel geen veiligheids voorzieningen buiten werking en werk niet met de machine met niet funktionerende veiligheids voorzieningen. Vraag om gekwalificeerd onderhouds personeel.

- Werk niet met een beschadigde of niet goed funktionerende machine. Vraag om gerechtigd/gemachtigd/gekwalificeerd onderhouds personeel.
- Laat geen ongekwalificeerde mensen, onderhoud, reparaties of modificaties uitvoeren.
- Gebruik de machine niet tegenovergesteld aan de fabrieks instructies.
- Gebruik de machine alleen voor normale en voorbestemde doeleinden.
- Doorzie de consequenties van werken op handbediening.



WARRSCHUWING 16: Goederen Schade en Verspilde Middelen—Ingeven van verkeerde post gegevens kan verkeerde verwerking, routing, en registratie van posten veroorzaken.

- Doorzie de consequenties van het ingeven van post gegevens.

5.2.2. **Nalatige Service/Onderhouds Risico's-Essentiële Informatie voor Onderhouds Personeel** (Zie ook onderhouds waarschuwingen in de gehele handleiding)



WARRSCHUWING 17: Elektrocutie en (Ver)Brand gevaar door Elektriciteit—Contact met elektrische spanning kan de dood of ernstig letsel tot gevolg hebben. In de machine is elektriciteitsspanning aanwezig , tenzij de hoofdvoeding van de machine is uitgeschakeld.

- U mag alleen onderhoud aan de machine uitvoeren als u hiervoor gekwalificeerd en bevoegd bent. U dient de risico's goed te begrijpen en te weten hoe u deze kunt voorkomen.
- Houd u aan de geldende OSHA-norm voor blokkering/etikettering wanneer hierom wordt gevraagd in de onderhoudsinstructies. Buiten de VS dient u zich aan de OSHA-norm te houden als er geen andere vervangende norm van kracht is.



WARRSCHUWING 18: Vastloop / Verstrik en Verpletter Gevaar—Kontakt met bewegende delen, normaal gesproken afgeschermd met kettingen, kappen en platen , kunnen uw ledematen verpletteren. Deze delen bewegen automatisch.

- U mag alleen onderhoud aan de machine uitvoeren als u hiervoor gekwalificeerd en bevoegd bent. U dient de risico's goed te begrijpen en te weten hoe u deze kunt voorkomen.
- Houd u aan de geldende OSHA-norm voor blokkering/etikettering wanneer hierom wordt gevraagd in de onderhoudsinstructies. Buiten de VS dient u zich aan de OSHA-norm te houden als er geen andere vervangende norm van kracht is.



WARRSCHUWING 19: Verpletter Gevaar—Alleen kiepende machines-De machine zal uw lichaam of ledematen verpletteren als hij zakt of valt terwijl u zich eronder bevindt. Zakken kan gebeuren met spanning uit of aan. Handmatige bediening van het kiepen omzeilt de veiligheids vergrendelingen. Verkeerde bediening van het kiep-mechanisme kan de machine doen zakken.

- Zet beide rode veiligheids hulpstukken vast in overeenstemming van de bijgeleverde instructies, sluit af en zet de hoofd schakelaar/aansluiting uit voordat u onder de gekantelde machine gaat werken.
- Gebruik handmatige bediening van het kiep mechanisme niet als er iemand onder de machine ligt/zit.
- Gebruik nooit de bedieningsknoppen van de kantelfunctie als iemand zich onder de machine bevindt.



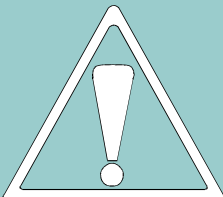
WARRSCHUWING 20: Besloten / Te nauwe Ruimte Gevaar—In de trommel kruipen kan u doden of verwonden. Gevaar is er niet alleen voor paniek, verbranding, vergiftiging, verstikking, hitte uitputting, biologische vervuiling, elektrocutie en verplettering.

- Reik niet in de trommel voordat deze geheel is gereinigd, gespoeld, leeggelopen, afgekoeld en stilgezet.

— Einde BIUUUS14 —

Section
Français

3



Published Manual Number: MTPEUS02

- Specified Date: 20051111
- As-of Date: 20051111
- Access Date: 20051117
- Custom: n/a
- Applicability: PEU
- Language Code: FRE01, Purpose: publication, Format: 1colA

SECURITE—

Essoreuse - centrifuge

ATTENTION: Les informations contenues dans ce manuel ont été fournies par Pellerin Milnor Corporation dans le **version anglaise uniquement**. Milnor a souhaité obtenir une traduction de qualité, mais ne peut alléguer, ni promettre, ni garantir l'exactitude, l'intégralité ou la qualité des informations contenues dans la version non-anglaise.

De plus, Milnor n'a pas cherché à vérifier les informations contenues dans la version non-anglaise, celle-ci ayant été entièrement réalisée par une tierce partie. En conséquence, Milnor dénie expressément toute responsabilité en ce qui concerne les erreurs de substance ou de forme et n'assume aucune responsabilité quand à la fiabilité de l'usage des informations contenues dans la version non-anglaise, ou aux conséquences de cet usage.

En aucune circonstance, Milnor, ses représentants ou ses administrateurs, ne seront tenus pour responsables de tout dommage direct, indirect, accidentel, répressif ou conséquent pouvant résulter, de quelque façon que ce soit, de l'usage de la version non-anglaise de ce manuel ou de l'impossibilité de l'utiliser ou de sa fiabilité ou résultant de fautes, d'omissions ou d'erreurs dans la traduction.

Produits applicables de Milnor® par numéro de type:

M7E4232C M7E4232L M7E4232R M7V4232C M7V4232L M7V4232R M7V4836C
M7V4840C M9E4232C M9E4232L M9E4232R M9V4232C M9V4232L M9V4232R
MXV4232C

Table des Matières

Sections	Illustrations, Tableaux, et Suppléments
<p>1. Règles générales de sécurité -Information essentielle pour le personnel de direction (Document BIUUUS04)</p> <p>1.1. Aménagement de la blanchisserie</p> <p>1.2. Personnel</p> <p>1.3. Dispositifs de sé</p> <p>1.4. Informations sur les dangers</p> <p>1.5. Maintenance</p>	
<p>2. Risques électriques et mécaniques internes (Document BIUUUS21)</p> <p>2.1. Plaques de sécurité—Risques électriques et mécaniques internes (Document BIUUUS15)</p> <p>2.2. Messages d’alerte—Risques électriques et mécaniques internes (Document BIUUUS11)</p>	<p>Illustration 1: Risques électriques et mécaniques internes</p>
<p>3. Risques mécaniques externes (Document BIUUUS22)</p> <p>3.1. Plaques de sécurité—Risques mécaniques externes (Document BIUUUS16)</p> <p>3.2. Messages d’alerte—Risques mécaniques externes (Document BIUUUS12)</p>	<p>Illustration 2: Risques mécaniques externes</p>
<p>4. Riques du tambour et du fonctionnement (Document BIUUUS23)</p> <p>4.1. Plaques de sécurité—Riques du tambour et du fonctionnement (Document BIUUUS17)</p> <p>4.2. Messages d’alerte—Riques du tambour et du fonctionnement (Document BIUUUS13)</p>	<p>Illustration 3: Riques du tambour et du fonctionnement</p>
<p>5. Messages d’alerte—Conditions dangereuses (Document BIUUUS14)</p> <p>5.1. Risques des dommages et des mauvais fonctionnements</p> <p>5.1.1. Risques provenant des dispositifs de sécurité inopérants</p> <p>5.1.2. Risques résultant de dispositifs mécaniques endommagés</p> <p>5.2. Risques des utilisations sans soin</p>	

Table des Matières

Sections	Illustrations, Tableaux, et Suppléments
5.2.1. Risques de fonctionnement sans sécurité-Information essentielle pour le personnel opérateur (voir aussi les risques des opérateurs dans le livre technique)	
5.2.2. Risques de maintenance sans sécurité-Information essentielle pour le personnel de maintenanc (voir aussi les risques de maintenance dans le livre technique)	

1. Règles générales de sécurité -Information essentielle pour le personnel de direction

Une mauvaise installation, une maintenance préventive négligée, des réparations mal faites ou des modifications apportées à la machine peuvent créer un manque de sécurité d'utilisation et causer des blessures pouvant même être mortelles. Le propriétaire (ou son représentant) est responsable de l'utilisation et s'assure du bon fonctionnement et de la bonne maintenance de la machine. Le propriétaire/ l'utilisateur doit se familiariser avec le contenu du livre d'instructions techniques. Si des questions concernant le livre d'instructions doivent être posées, il doit s'adresser au service technique de son vendeur Milnor®.

Le propriétaire/utilisateur est responsable de la sécurité de l'environnement. Les recommandations ci-dessous doivent être suivies:

- connaître tous les risques pouvant compromettre la sécurité dans son entreprise et prendre toutes actions nécessaires pour protéger son personnel, l'équipement et son entreprise;
- L'équipement de travail approprié, bien adapté, doit pouvoir être utilisé sans aucun risque pour la sécurité ou la santé, et doit être convenablement entretenu;
- si des risques spécifiques se présentaient, l'accès à l'équipement devra être strictement limité aux opérateurs chargés de ce matériel;
- seulement les personnes désignées spécifiquement peuvent entreprendre des réparations, modifications, la maintenance ou le service;
- Les informations, les instructions et la formation sont fournies;
- les employés et/ou leur représentant sont consultés.

L'équipement de travail doit être conforme aux conditions listés ci-dessous. Le propriétaire/utilisateur doit vérifier que l'installation et la maintenance de l'équipement sont réalisés suivant ces conditions:

- les appareils de commandes doivent être visibles, identifiables, et marqués, localisés en dehors des zones dangereuses, et ne pas causer de risque si utilisés malencontreusement;
- les systèmes de commandes doivent être mis en sécurité et une panne/dommage ne doit pas présenter un danger;
- L'équipement de travail doit être stabilisé;
- protection contre l'éclatement ou la désintégration de l'équipement de travail;
- protections, pour éviter les accès aux zones dangereuses ou pour arrêter les mouvements de parties dangereuses avant qu'elles n'atteignent des zones dangereuses. Les protections doivent être robustes et ne pas être cause de risques, elles ne doivent pas être facilement retirables ou se rendre inopérantes; elles doivent être situées à une distance suffisante de la zone de danger, ne pas empêcher la vue du cycle en cours, permettre les réglages, les réparations et la maintenance en limitant l'accès à certaines aires sans avoir à retirer les protections;
- éclairage suffisant dans les aires de travail et de maintenance;
- la maintenance doit être possible quand l'équipement de travail est arrêté. Sinon, les mesures de protection doivent être suivies en dehors des zones de danger;
- l'équipement de travail doit être approprié pour éviter le risque de feu ou de surchauffe, les émanations de gaz, de poussière, liquide, vapeur, autres substances; l'explosion de l'équipement ou des substances qu'il contient.

1.1. Aménagement de la blanchisserie

Fournir un sol de support solide et rigide permettant de supporter û avec un facteur de sécurité raisonnable et sans déformationû le poids total de la machine chargée et les forces transmises pendant son fonctionnement. Laisser suffisamment d'espace autour de la machine pour son mouvement. Fournir tous les gardes de sécurité, barrières,mesures, dispositifs, et restrictions affichées et/ou verbales nécessaires afin d'empêcher le personnel, des machines, ou d'autres appareils en déplacement de s'approcher de la machine ou de son trajet. Fournir la ventilation nécessaire pour éliminer la chaleur et les buées. S'assurer que les raccordements pour l'installation des machines sont conformes aux normes électriques. Afficher bien en vue toutes les informations de sécurité y compris les signes indiquant les endroits de mise hors tension.

1.2. Personnel

Informé le personnel des actions à prendre pour éviter les risques et leur montrer l'importance. Fournir au personnel les instructions de sécurité et de fonctionnement. Vérifier que le personnel utilise bien les procédures de sécurité et de bon fonctionnement. Vérifier que le personnel a bien compris et respecte les avertissements sur la machine et les précautions d'utilisation du livre technique.

1.3. Dispositifs de sé

S'assurer que personne n'enlève ou ne détériore les dispositifs de sécurité de la machine ou de l'installation. Interdire l'utilisation de la machine sans protections, couvercle, panneau ou porte. Réparer tout dispositif en panne ou défectueux avant de faire fonctionner la machine.

1.4. Informations sur les dangers

Des informations importantes relatives aux dangers sont fournies sur les plaques de sécurité de la machine, dans le Guide de Sécurité et dans les autres manuels accompagnant la machine. **Les plaques de sécurité doivent être toujours bien nettoyées de manière à ce que les informations restent lisibles. En cas de perte ou d'endommagement, elles doivent être immédiatement remplacées. Le Guide de Sécurité et tous les autres manuels de la machine doivent être constamment disponibles pour le personnel concerné.** Référez-vous au manuel d'entretien de la machine pour connaître les références des plaques de sécurité. Contactez le service des références Milnor pour remplacer les plaques ou les manuels.

1.5. Maintenance

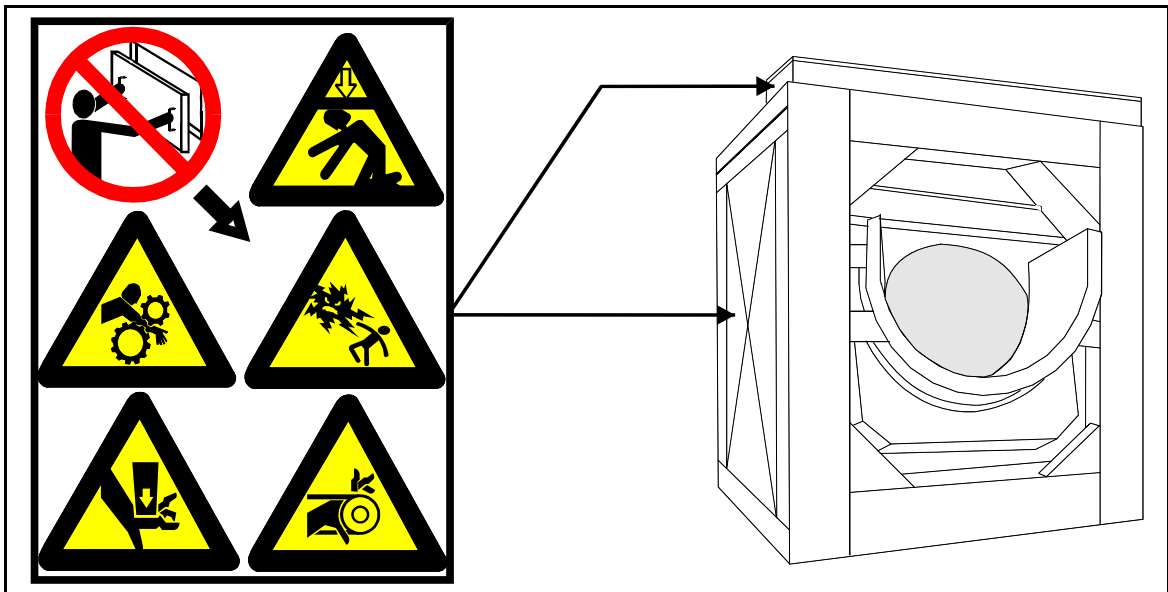
S'assurer que la machine est inspectée et opérée suivant les règles de l'art et et suivant un schéma de maintenance préventive. Remplacer les courroies, poulies, freins/disques, plateau d'embrayage/pneus, roulettes, joints guides d'alignement, etc....avant leur usure complète. rechercher immédiatement toute évidence d'une panne , et faire toute réparation nécessaire (par exemple : cassure de tambour, du bâti ou du cadre, et les composants de commande tels que moteurs, boîte d'embrayage, roulements, etc..qui deviendraient geignard, grinçant, fumant ou anormalement chaud, joints fuyards, tuyaux, vannes,etc). Interdire la maintenance au personnel non qualifié.

2. Risques électriques et mécaniques internes

2.1. Plaques de sécurité—Risques électriques et mécaniques internes [Document BIUUUS15]

Sur la machine, une ou plusieurs plaques de sécurité, similaires à celles présentées ci-après, mettent en garde le personnel contre les dangers présents à l'intérieur de la machine ou au niveau des boîtiers électriques.

Illustration 1: Risques électriques et mécaniques internes



2.2. Messages d'alerte—Risques électriques et mécaniques internes

[Document BIUUUS11]

Les instructions suivantes concernent les dangers existant à l'intérieur de la machine et au niveau des boîtiers électriques.



AVERTISSEMENT [1]: Risques d'électrocution et de brûlure électrique—Un contact avec le courant électrique peut entraîner la mort ou des blessures graves. Du courant électrique est présent à l'intérieur de l'armoire tant que le disjoncteur principal de l'alimentation des machines n'est pas activé.

- Ne pas déverrouiller ou ouvrir les portes des boîtiers électriques.
- Ne retirez pas les gardes, couvercles ou panneaux de sécurité.
- Ne pas atteindre le bâti ou le cadre.
- Eloignez vous et éloignez les autres de la machine.
- Vous devez connaître l'emplacement du disjoncteur principal et l'utiliser en cas d'urgence pour couper le courant d'une machine.



AVERTISSEMENT [2]: Risques d'enchevêtrement et d'écrasement—Le contact avec des composants en mouvement normalement protégés par des protections, des couvercles ou des panneaux, peut entraîner vos membres et les casser. Ces composants se mettent en mouvement automatiquement.

- Ne retirez pas les gardes, couvercles ou panneaux de sécurité.

Risques électriques et mécaniques internes

- Ne pas atteindre le bâti ou le cadre.
- Eloignez vous et éloignez les autres de la machine.
- Vous devez connaître l'emplacement de tous les arrêts d'urgence, des cordes, et/ou blocs à utiliser pour arrêter en cas d'urgence le mouvement de la machine.



AVERTISSEMENT 3: Risques d'écrasement—Les Machines à basculement seulement-le bâti de la machine en descendant ou en tombant peut écraser votre corps ou vos membres si vous êtes en dessous. Le bâti peut descendre même si le courant est coupé. L'utilisation manuelle des vannes de basculement annule le verrouillage de sécurité. Une mauvaise opération de vannes manuelles de basculement peut provoquer la descente du bâti.

- Ne retirez pas les gardes, couvercles ou panneaux de sécurité.
- Ne pas atteindre le bâti ou le cadre.

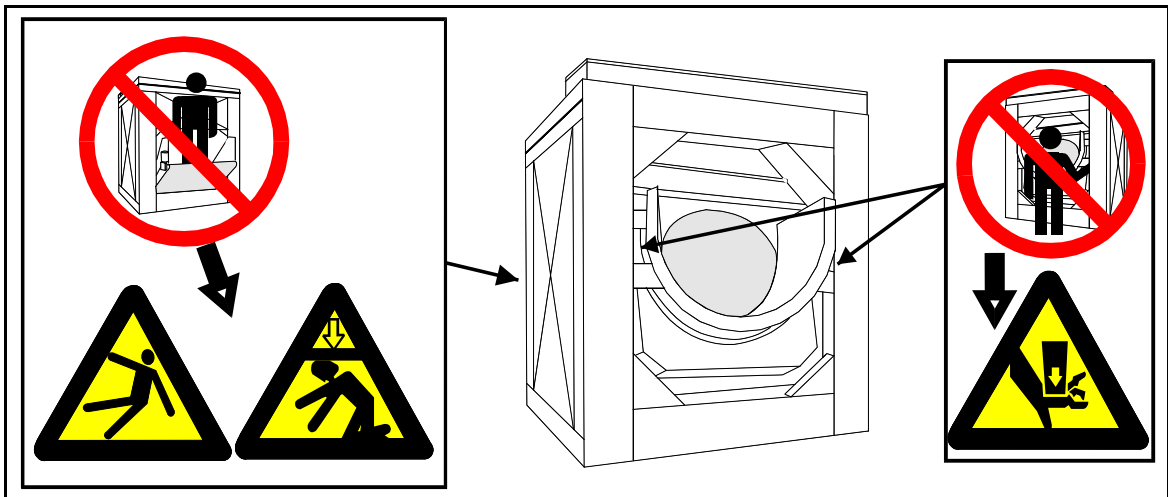
— Fin BIUUUS21 —

3. Risques mécaniques externes

3.1. Plaques de sécurité—Risques mécaniques externes [Document BIUUUS16]

Sur la machine, une ou plusieurs plaques de sécurité, similaires à celles présentées ci-après, mettent en garde le personnel contre les dangers existant aux alentours des parties avant, arrière, latérale ou supérieure de la machine.

Illustration 2: Risques mécaniques externes



3.2. Messages d'alerte—Risques mécaniques externes [Document BIUUUS12]

Les instructions suivantes concernent les dangers présents au niveau des parties avant, arrière, latérale ou supérieure de la machine.



AVERTISSEMENT 4: Risques d'écrasement—Concerne uniquement les Machines suspendues - L'espace entre la cuve et le châssis peut se fermer et écraser ou pincer vos membres. La cuve bouge dans le châssis pendant le fonctionnement de la machine.

- Ne pas atteindre le bâti ou le cadre.
- Eloignez vous et éloignez les autres des endroits de passage de matériel en mouvement.



AVERTISSEMENT 5: Risques de chute, d'enchevêtrement et de coups—Une machine en mouvement peut vous faire tomber ou vous enchevêtrer ou vous blesser par de proche objet si vous montez ou marchez sur la machine. Les tapis des navettes et convoyeurs bougent automatiquement.

- Eloignez vous et éloignez les autres de la machine.

— Fin BIUUUS22 —

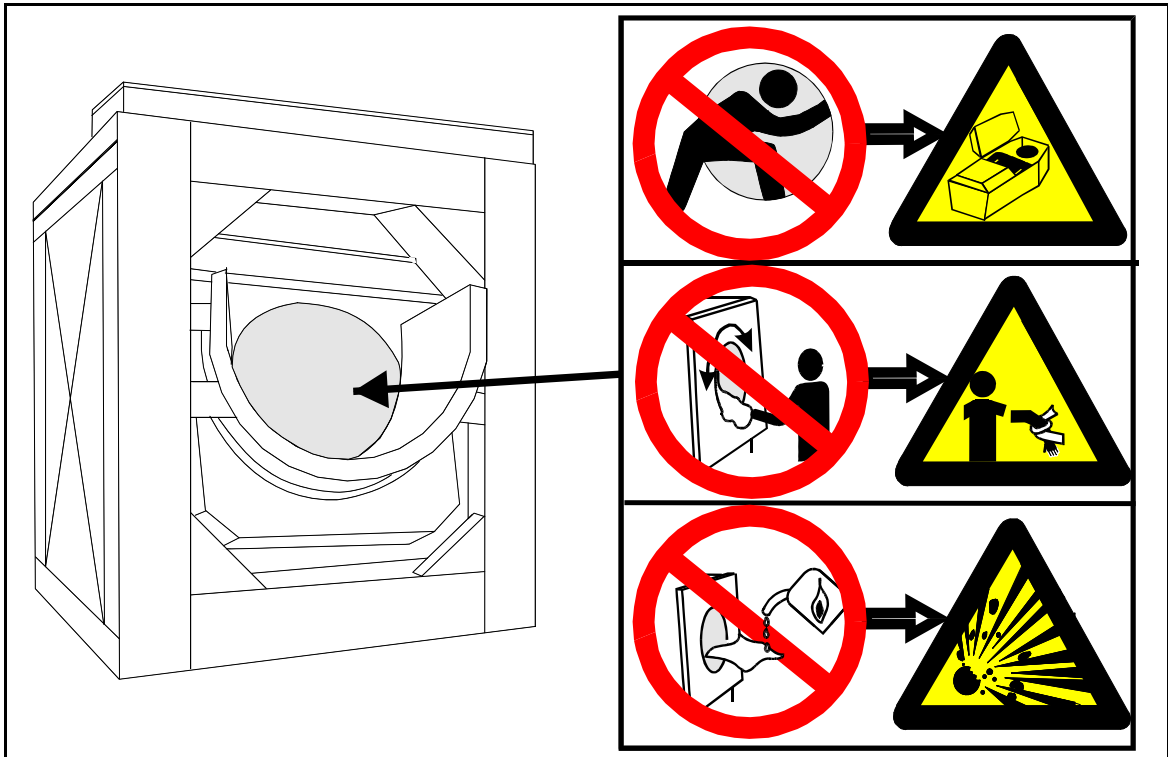
4. Risques du tambour et du fonctionnement

4.1. Plaques de sécurité—Risques du tambour et du fonctionnement

[Document BIUUUS17]

Sur la machine, une ou plusieurs plaques de sécurité, similaires à celles présentées ci-après, mettent en garde le personnel contre des dangers liés au tambour et au processus de lavage.

Illustration 3: Risques du tambour et du fonctionnement



4.2. Messages d'alerte—Risques du tambour et du fonctionnement

[Document BIUUUS13]

Les instructions suivantes concernent les dangers liés au tambour et au processus de lavage.



DANGER [6]: Risques d'enchevêtrement et risques sérieux—Le contact avec du linge en traitement peut entraîner le linge autour de votre corps ou de vos membres et vous démembrer.

- Ne pas essayer d'ouvrir la porte ou de toucher au tambour tant que celui-ci n'est pas arrêté.
- Ne pas toucher au linge à l'intérieur du tambour en rotation ou en dépassant.
- Vous devez connaître l'emplacement de tous les arrêts d'urgence, des cordes, et/ou blocs à utiliser pour arrêter en cas d'urgence le mouvement de la machine.
- Vous devez connaître l'emplacement du disjoncteur principal et l'utiliser en cas d'urgence pour couper le courant d'une machine.



AVERTISSEMENT [7]: Risques d'écrasement—Le contact avec un tambour en rotation peut écraser vos membres. Le tambour repousse tout objet avec lequel on essaie de l'arrêter, et l'objet peut se retourner contre vous et vous blesser.

- Verrouiller et couper le courant de la machine au disjoncteur principal avant de rentrer

Risques du tambour et du fonctionnement

dans le tambour.

- Ne placer aucun objet dans le tambour en rotation.



AVERTISSEMENT 8: Risques d'espace restreint—Rester dans l'espace réduit du tambour peut vous tuer ou vous blesser. Vous encourez des risques tels que brûlure, empoisonnement, suffocation, panique, contamination, électrocution, écrasement et autres.

- Ne pas faire de la maintenance, des réparations ou des modifications non autorisées.



AVERTISSEMENT 9: Risques d'explosion et de feu—Les substances inflammables peuvent exploser ou prendre feu dans le tambour, les vidanges ou égout. La machine est destinée au lavage avec de l'eau, mais pas avec du solvant. Le processus peut entraîner une évaporation de vapeur inflammable contenue dans le linge contenant du solvant.

- Ne pas utiliser des solvants inflammables dans le processus.

— Fin BIUUUS23 —

5. Messages d'alerte—Conditions dangereuses

5.1. Risques des dommages et des mauvais fonctionnements

5.1.1. Risques provenant des dispositifs de sécurité inopérants



AVERTISSEMENT 10: Risques multiples—L'utilisation de la machine sans dispositif de sécurité peut tuer ou blesser le personnel, endommager ou détruire la machine, endommager l'installation et/ou annuler la garantie.

- Ne touchez pas ou ne déconnectez pas un dispositif de sécurité et ne pas faire fonctionner la machine avec un dispositif de sécurité défectueux.



AVERTISSEMENT 11: Risques d'électrocution et de brûlure électrique—Portes des boîtiers électriques -l'utilisation de la machine sans la porte électrique verrouillée peut vous exposer aux conducteurs haut voltage à l'intérieur du boîtier.

- Ne pas déverrouiller ou ouvrir les portes des boîtiers électriques.



AVERTISSEMENT 12: Risques d'enchevêtrement et d'écrasement—Protections, couvercles, et panneaux-l'utilisation de la machine sans protection, couvercle ou panneau peut vous exposer au danger des mouvements des composants.

- Ne retirez pas les gardes, couvercles ou panneaux de sécurité.

5.1.2. Risques résultant de dispositifs mécaniques endommagés



AVERTISSEMENT 13: Risques multiples—L'utilisation d'une machine endommagée peut blesser ou tuer le personnel, provoquer des dommages ou détruire la machine, provoquer des dégâts dans l'installation, et/ou annuler la garantie.

- N'utiliser pas une machine endommagée ou fonctionnant mal. Demander au service de maintenance autorisée la remise en fonctionnement.



AVERTISSEMENT 14: Risques d'explosion—Tambour-Un tambour endommagé peut éclater pendant l'essorage, percer le bâti et lancer des morceaux de métal à grande vitesse.

- N'utilisez pas une machine endommagée ou fonctionnant mal.

5.2. Risques des utilisations sans soin

5.2.1. Risques de fonctionnement sans sécurité-Information essentielle pour le personnel opérateur (voir aussi les risques des opérateurs dans le livre technique)



AVERTISSEMENT 15: Risques multiples—Des opérations effectuées par l'opérateur sans précaution peuvent tuer ou blesser le personnel, endommager ou détruire la machine, endommager l'installation et/ou annuler la garantie.

- Ne touchez pas ou ne déconnectez pas un dispositif de sécurité et ne pas faire fonctionner la machine avec un dispositif de sécurité défectueux.
- N'utiliser pas une machine endommagée ou fonctionnant mal. Demander au service de maintenance autorisée la remise en fonctionnement.
- Ne pas faire de la maintenance, des réparations ou des modifications non autorisées.

- Ne pas utiliser la machine contrairement aux instructions de l'usine.
- Utiliser la machine seulement dans sa destination prévue.
- Les conséquences d'une utilisation manuelle de la machine doivent être bien comprises.



ATTENTION 16: Endommagement du linge et gaspillage des ressources—L'entrée d'une information de galette incorrecte peut causer une mauvaise procédure de traitement, de destination et de comptage des lots.

- Les conséquences d'une entrée d'information galette doivent être bien comprises.

5.2.2. Risques de maintenance sans sécurité-Information essentielle pour le personnel de maintenanc (voir aussi les risques de maintenance dans le livre technique)



AVERTISSEMENT 17: Risques d'électrocution et de brûlure électrique—Un contact avec le courant électrique peut entraîner la mort ou des blessures graves. Du courant électrique est présent à l'intérieur de l'armoire tant que le disjoncteur principal de l'alimentation des machines n'est pas activé.

- La maintenance doit être exclusivement assurée par des techniciens qualifiés et agréés. Il est impératif de bien connaître les dangers encourus et la manière de les éviter.
- Lorsqu'un verrouillage/étiquetage est requis par les instructions d'entretien, conformez-vous aux normes de verrouillage/d'étiquetage OSHA (Loi sur la santé et la sécurité au travail) en vigueur. En dehors des Etats-Unis, conformez-vous aux normes OSHA en l'absence de toute autre règle dérogatoire.



AVERTISSEMENT 18: Risques d'enchevêtrement et d'écrasement—Le contact avec des composants en mouvement normalement protégés par des protections, des couvercles ou des panneaux, peut entraîner vos membres et les casser. Ces composants se mettent en mouvement automatiquement.

- La maintenance doit être exclusivement assurée par des techniciens qualifiés et agréés. Il est impératif de bien connaître les dangers encourus et la manière de les éviter.
- Lorsqu'un verrouillage/étiquetage est requis par les instructions d'entretien, conformez-vous aux normes de verrouillage/d'étiquetage OSHA (Loi sur la santé et la sécurité au travail) en vigueur. En dehors des Etats-Unis, conformez-vous aux normes OSHA en l'absence de toute autre règle dérogatoire.



AVERTISSEMENT 19: Risques d'écrasement—Les Machines à basculement seulement-le bâti de la machine en descendant ou en tombant peut écraser votre corps ou vos membres si vous êtes en dessous. Le bâti peut descendre même si le courant est coupé. L'utilisation manuelle des vannes de basculement annule le verrouillage de sécurité. Une mauvaise opération de vannes manuelles de basculement peut provoquer la descente du bâti.

- Fixer avec précaution les 2 supports rouges de sécurité suivant les instructions fournies, puis verrouiller et couper le courant de la machine au disjoncteur principal avant de travailler sous la machine renversée.
- N'utilisez pas les vannes de basculement manuel si quelqu'un est sous la machine.
- N'utilisez pas les réglages d'inclinaison lorsqu'une personne se trouve sous la machine.

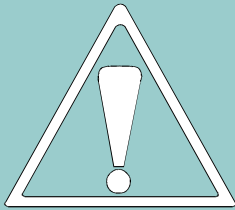


AVERTISSEMENT 20: Risques d'espace restreint—Rester dans l'espace réduit du tambour peut vous tuer ou vous blesser. Vous encourez des risques tels que brûlure, empoisonnement, suffocation, panique, contamination, électrocution, écrasement et autres.

- N'entrez pas dans le tambour tant qu'il n'a pas été nettoyé, vidangé, refroidi et immobilisé.

Section
Deutsch

4



Published Manual Number: MTPEUS02

- Specified Date: 20051111
- As-of Date: 20051111
- Access Date: 20051121
- Custom: n/a
- Applicability: PEU
- Language Code: GER01, Purpose: publication, Format: 1colA

SICHERHEIT—

Entwässerungszentrifuge

ACHTUNG: Die in diesem Handbuch enthaltenen Informationen werden von Pellerin Milnor Corporation ausschließlich als **nur englische version** bereitgestellt. Milnor hat sich um eine qualitativ hochwertige Übersetzung bemüht, macht aber keine Aussagen, Versprechen oder Garantien bezüglich der Genauigkeit, Vollständigkeit oder Richtigkeit der Informationen in der nichtenglischen Version.

Milnor hat darüber hinaus keinen Versuch unternommen, die in der nichtenglischen Version enthaltenen Informationen zu prüfen, da diese vollständig durch Dritte erstellt wurde. Milnor ist daher ausdrücklich nicht für inhaltliche oder formale Fehler haftbar und trägt keine Verantwortung für das Vertrauen auf, oder die Folgen der Verwendung von, Informationen in der nichtenglischen Version.

Milnor oder seine Vertreter oder Mitarbeiter sind in keinem Fall für jegliche direkten, indirekten, Begleit-, Folge- oder Strafe einschließenden Schäden haftbar, die auf irgend eine Art aus der Verwendung oder einer nicht möglichen Verwendung der nichtenglischen Version oder dem Vertrauen auf die nichtenglische Version dieses Handbuchs herrühren könnten, oder die aus Fehlern, Auslassungen oder Übersetzungsfehlern herrühren.

Anwendbare Milnor® Maschinen der Modelle:

M7E4232C M7E4232L M7E4232R M7V4232C M7V4232L M7V4232R M7V4836C
M7V4840C M9E4232C M9E4232L M9E4232R M9V4232C M9V4232L M9V4232R
MXV4232C

Inhaltsverzeichnis

Abschnitte	Abbildungen, Tabellen und Ergänzungen
1. Allgemeine Sicherheitsanforderungen- Lebenswichtige Infos für das leitende Personal (Dokument BIUUUS04)	
1.1. Wäschereitechnische Anlage	
1.2. Personal	
1.3. Sicherheitseinrichtungen	
1.4. Gefahreninformationen	
1.5. Wartung	
2. Gefahren innerhalb der Elektrik und Mechanik (Dokument BIUUUS21)	
2.1. Sicherheitsschilder—Gefahren innerhalb der Elektrik und Mechanik (Dokument BIUUUS15)	Abbildung 1: Gefahren innerhalb der Elektrik und Mechanik
2.2. Sicherheitswarnmeldungen—Gefahren innerhalb der Elektrik und Mechanik (Dokument BIUUUS11)	
3. Äußere Gefahren der Mechanik (Dokument BIUUUS22)	
3.1. Sicherheitsschilder—Äußere Gefahren der Mechanik (Dokument BIUUUS16)	Abbildung 2: Äußere Gefahren der Mechanik
3.2. Sicherheitswarnmeldungen—Äußere Gefahren der Mechanik (Dokument BIUUUS12)	
4. Gefahren durch Trommel und Behandlungsvorgänge (Dokument BIUUUS23)	
4.1. Sicherheitsschilder—Gefahren durch Trommel und Behandlungsvorgänge (Dokument BIUUUS17)	Abbildung 3: Gefahren durch Trommel und Behandlungsvorgänge
4.2. Sicherheitswarnmeldungen—Gefahren durch Trommel und Behandlungsvorgänge (Dokument BIUUUS13)	
5. Sicherheitswarnmeldungen—Gefährliche Bedingungen (Dokument BIUUUS14)	
5.1. Gefahren durch Schäden und Fehlfunktionen	
5.1.1. Gefahren durch betriebsunfähige Sicherheitseinrichtungen	
5.1.2. Gefahren durch beschädigte Teile der Mechanik	

Abschnitte

Abbildungen, Tabellen und Ergänzungen

5.2. Gefahren durch unvorsichtige Anwendung

- 5.2.1. Gefahren durch unvorsichtigen Betrieb-Lebenswichtige Infos für das Bedienpersonal (Beachten Sie bitte auch die im Handbuch erklärten Gefahren für den Bediener)
- 5.2.2. Gefahren durch unvorsichtige Instandsetzung-Lebenswichtige Infos für das Instandsetzungspersonal (Beachten Sie bitte auch die im Handbuch erklärten Gefahren bei Instandsetzung)

1. Allgemeine Sicherheitsanforderungen-Lebenswichtige Infos für das leitende Personal

Unkorrekte Installation, vernachlässigte Wartung, mißbräuchliche Benutzung und/oder unfachmännische Reparaturen oder Veränderungen an der Maschine können unsicheren Betrieb und Verletzungen an Personen verursachen, z. B. Knochenbrüche, Abtrennung von Gliedmaßen oder gar Tod. Der Betreiber oder eine von ihm benannte Person (Betreiber/Benutzer) muß mit der Maschine vertraut sein und hat ihren einwandfreien Betrieb und ihre ordnungsgemäße Wartung sicherzustellen. Der Betreiber/Benutzer hat sich mit dem Inhalt aller Anleitungen bezüglich der Maschine vertraut zu machen. Etwaige Fragen bezüglich solcher Anleitungen sind an eine Milnor®-Vertriebsniederlassung oder den Milnor®-Kundendienst zu richten.

Die meisten zuständigen Behörden für Regelwerke machen den Betreiber/ Benutzer für die Aufrechterhaltung der Sicherheit am Arbeitsplatz verantwortlich. Aus dem Grund hat der Betreiber/Benutzer sicherzustellen, daß:

- alle vorhersehbaren Gefahren innerhalb seines Arbeitsbereiches erkennen und Maßnahmen einleiten, um Personen, Ausrüstungen und Arbeitsbereich zu schützen,
- Arbeitsausrüstung und Betriebsmittel geeignet und angepaßt sind, ohne Sicherheits- oder Gesundheitsrisiken benutzt werden können und in angemessener Weise instandgehalten werden;
- an Orten, an denen bestimmte Gefahren zu erwarten sind, der Zugang zu den Betriebsmitteln auf solche Mitarbeiter beschränkt ist, die mit deren Benutzung beauftragt wurden;
- nur beauftragte Personen Reparaturen, Änderungen, Wartungen und Instandsetzungen durchführen;
- Informationen, Anweisungen und Unterweisungen zur Verfügung gestellt werden;
- Mitarbeiter und/oder deren Stellvertreter eingewiesen sind.

Die Arbeitsausrüstung muß den nachstehenden Anforderungen entsprechen. Der Betreiber/Benutzer hat sicherzustellen, daß Installation und Wartung der Einrichtungen so ausgeführt werden, daß folgende Bedingungen berücksichtigt werden:

- Bedienungselemente müssen sichtbar, identifizierbar und gekennzeichnet sein. Sie müssen sich außerhalb von Gefahrenzonen befinden und dürfen keine Gefahren durch unbeabsichtigte Betätigung hervorrufen.
- Steuerungssysteme müssen betriebssicher sein. Betriebsstörungen oder Schäden dürfen keine Gefahren hervorrufen;
- Betriebsmittel und Zubehör müssen fest installiert sein;
- Arbeitsausrüstungen sind vor Bruch oder Zerstörung zu schützen;
- Durch Schutzgitter sind Gefahrenzonen abzusperren und sich darin bewegende Gefahrenobjekte zu stoppen, bevor die Gefahrenzonen betreten werden. Schutzgitter müssen stabil und unfallsicher sein. Sie dürfen sich nicht ohne weiteres entfernen oder außer Funktion setzen lassen. Sie müssen in ausreichendem Abstand von der Gefahrenzone plziert sein und dürfen die Beobachtung des Betriebes nicht behindern. Sie sollen Installation, Austausch oder Wartung von Teilen ohne die vorherige Beseitigung von Schutzgittern oder anderen Sicherheitseinrichtungen ermöglichen, zugleich aber den Zugang auf die hierfür relevanten Bereiche beschränken;
- angemessene Beleuchtung für Arbeits- und Wartungsbereiche;
- Bei ausgeschaltetem Betriebsmittel müssen jederzeit Wartungen möglich sein. Falls nicht zutreffend, ist dies durch zusätzliche Schutzmaßnahmen außerhalb der Gefahrenzonen zu realisieren;

- Die Arbeitsausrüstung muß geeignet sein, um Brand oder Überhitzung, Austritt von Gas, Staub, Flüssigkeit, Dampf oder anderen Substanzen zu verhindern und eine etwaige Explosionsgefahr von Betriebsmitteln oder -stoffen zu eliminieren.

1.1. Wäschereitechnische Anlage

Sorgen Sie für einen tragbaren Untergrund, der fest und starr genug ist, um ausreichender Sicherheit und ohne unzulässige oder unvermeidbare Durchbiegung das Gewicht der vollbeladenen Maschine und die übertragenen Kräfte während des Betriebes aufzunehmen. Lassen Sie ausreichenden Freiraum für Bewegungen der Maschine. Sorgen Sie für alle Abdeckungen, Schutzgitter, Schilder und Einschränkungen durch Bilder oder Texte, die erforderlich sind, um Personen, Maschinen oder andere sich bewegende Anlagen aus dem Umkreis der Maschine fernzuhalten. Sorgen Sie für ausreichende Be- und Entlüftung, um Wärme und Dämpfe zu beseitigen. Stellen Sie sicher, daß Versorgungsanschlüsse an installierten Maschinen den örtlichen und nationalen Sicherheitsvorschriften entsprechen, insbesondere die Stromversorgung (siehe VDE-Vorschriften). Platzieren Sie Sicherheitshinweise an auffälligen Orten, einschließlich Gefahrensymbole, die auf elektrische Anschlüsse hinweisen.

1.2. Personal

Belehren Sie das Personal über Gefahrenvermeidung und die Wichtigkeit von Vorsicht und Vernunft. Stellen Sie den Personen die für sie zutreffenden Sicherheits- und Betriebsanleitungen zur Verfügung. Vergewissern Sie sich, daß das Personal die richtigen Sicherheitsvorkehrungen und Betriebsabläufe anwendet. Vergewissern Sie sich ferner, daß das Personal die Warnhinweise an der Maschine und die Sicherheitsvorkehrungen aus den Anleitungen versteht und befolgt.

1.3. Sicherheitseinrichtungen

Stellen Sie sicher, daß niemand irgendeine Sicherheitseinrichtung von der Maschine oder aus dem Arbeitsbereich entfernt oder unbenutzbar macht. Verhindern Sie jegliche Benutzung der Maschine bei Fehlen eines Schutzgitters, einer Abdeckung, eines Seitenbleches oder einer Tür. Setzen Sie jedes fehlerhafte Teil instand, bevor Sie die Maschine in Betrieb setzen.

1.4. Gefahreninformationen

Wichtige Informationen über Gefahren sind auf den Maschinensicherheitsschildern, in den Sicherheitsrichtlinien und anderen Maschinenhandbüchern enthalten. **Sicherheitsschilder müssen sauber sein, damit die Informationen leserlich sind. Sie sind bei Verlust oder Beschädigung sofort zu ersetzen. Die Sicherheitsrichtlinien und andere Maschinenhandbücher müssen jederzeit für das entsprechende Personal verfügbar sein.** Teilnummern der Sicherheitsschilder sind dem Maschinenwartungshandbuch zu entnehmen. Zur Bestellung von Ersatzschildern oder Ersatzhandbüchern wenden Sie sich bitte an die Ersatzteilabteilung von Milnor.

1.5. **Wartung**

Stellen Sie sicher, daß die Maschine nach bewährten Methoden der Praxis und gemäß dem Wartungsplan inspiziert und gewartet wird. Ersetzen Sie Treibriemen, Riemenscheiben, Bremsbacken/-scheiben, Kupplungsscheiben/-beläge, Rollen, Dichtungen, Führungen etc., bevor diese ernsthaft verschlissen sind. Untersuchen Sie sofort jedes Anzeichen eines drohenden Versagens und unternehmen Sie erforderliche Reparaturen (z.B. bei Rissen in Trommel, Wand oder Rahmen; bei Quietschen, Schleifen, Rauchen oder Heißlaufen von Antriebselementen wie Motor, Getriebe, Lager; bei Durchbiegung von Trommel, Wand, Rahmen etc.; bei leckenden Dichtungen, Schläuchen, Ventilen etc.). Lassen Sie weder Betrieb noch Wartung durch unqualifiziertes Personal zu.

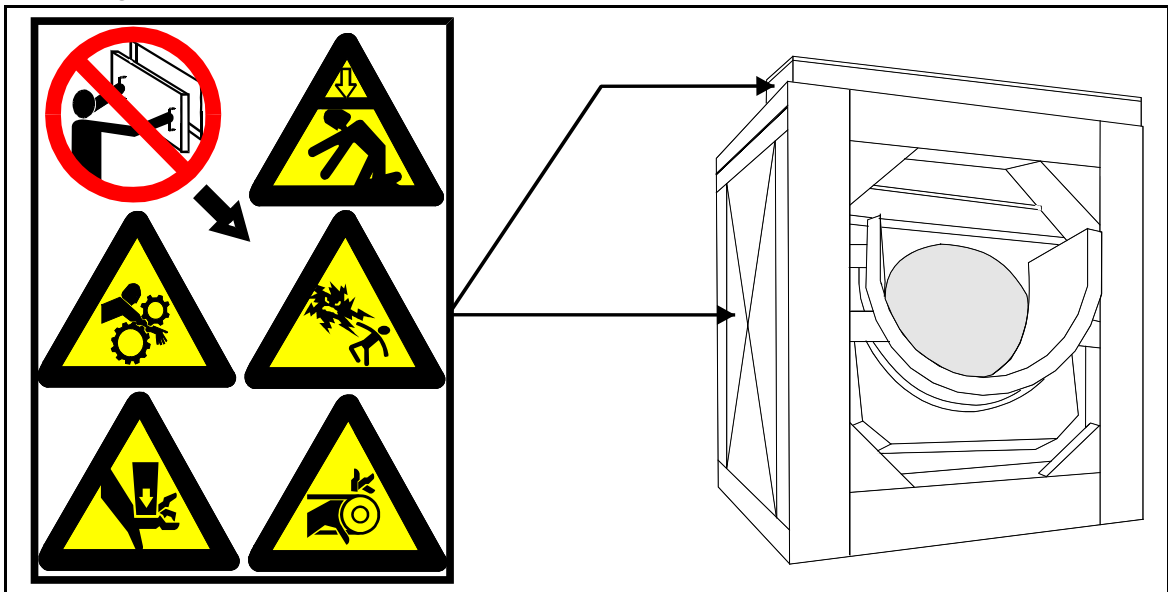
— Ende BIUUUS04 —

2. Gefahren innerhalb der Elektrik und Mechanik

2.1. Sicherheitsschilder—Gefahren innerhalb der Elektrik und Mechanik [Dokument BIUUUS15]

Eines oder mehrere Sicherheitsschilder an der Maschine, ähnlich dem im Folgenden abgebildeten Schild, warnen das Personal vor Gefahren im Innern der Maschine und in den Gehäusen elektrischer Geräte.

Abbildung 1: Gefahren innerhalb der Elektrik und Mechanik



2.2. Sicherheitswarnmeldungen—Gefahren innerhalb der Elektrik und Mechanik [Dokument BIUUUS11]

Die folgenden Anweisungen betreffen Gefahren im Innern der Maschine und in den Gehäusen elektrischer Geräte.



WARNUNG 1]: Todes- und Verbrennungsgefahr durch Stromschlag—Die Berührung von unter Hochspannung stehenden Teilen kann ernsthafte Verletzungen oder Stromschlag mit Todesfolge hervorrufen. Hochspannung liegt im Inneren des Schaltschranks an, solange der Trennschalter für die Stromversorgung zur Maschine nicht ausgeschaltet ist.

- Entriegeln oder öffnen Sie nicht die Türen der Schaltkästen.
- Entfernen Sie keine Schutzgitter, Abdeckungen oder Seitenbleche.
- Reichen Sie nicht in das Maschinengestell bzw. hinter die Maschinenverkleidung.
- Halten Sie sich und andere von der Maschine fern.
- Machen Sie sich mit der Position des Hauptschalters der Maschine vertraut und betätigen Sie diesen im Notfall, damit kein Strom mehr an der Maschine anliegt.



WARNUNG 2]: Verhakungs- und Quetschgefahr—Berührung von sich bewegenden Teilen, die normalerweise durch Führungen, Abdeckungen oder Seitenbleche abgeschirmt sind, kann Gliedmaßen einquetschen und Stoßverletzungen hervorrufen. Diese Teile bewegen sich automatisch.

- Entfernen Sie keine Schutzgitter, Abdeckungen oder Seitenbleche.

- Reichen Sie nicht in das Maschinengestell bzw. hinter die Maschinenverkleidung.
- Halten Sie sich und andere von der Maschine fern.
- Machen Sie sich mit der Plazierung aller Not-Stopp-Schalter, Zugleinen und/oder Trittplatten vertraut und benutzen Sie diese im Notfall, um die Maschine zu stoppen.



WARNUNG 3: Quetschgefahr—Nur bei kippbaren Maschinen—Das Maschinengestell kann Körper oder Gliedmaßen zerquetschen, wenn es abwärtsfährt oder herunterfällt, während sich darunter Personen befinden. Das Abwärtsfahren ist sowohl bei eingeschalteter als auch bei ausgeschalteter Maschine möglich. Durch manuelle Betätigung der Kippventile werden Sicherheitsfunktionen umgangen. Unsachgemäße Bedienung handbetätigter Kippventile kann zum Herabfallen des Maschinengestells führen.

- Entfernen Sie keine Schutzgitter, Abdeckungen oder Seitenbleche.
- Reichen Sie nicht in das Maschinengestell bzw. hinter die Maschinenverkleidung.

— Ende BIUUUS21 —

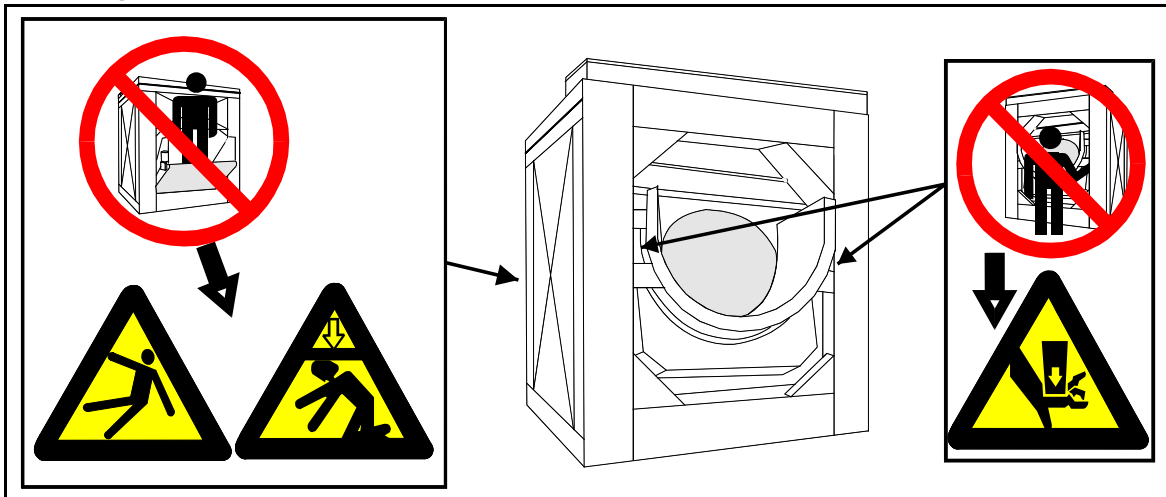
3. Äußere Gefahren der Mechanik

3.1. Sicherheitsschilder—Äußere Gefahren der Mechanik [Dokument

BIUUUS16]

Eines oder mehrere Sicherheitsschilder an der Maschine, ähnlich dem im Folgenden abgebildeten Schild, warnen das Personal vor Gefahren auf der Vor-, Rück- und Oberseite sowie den Seiten der Maschine.

Abbildung 2: Äußere Gefahren der Mechanik



3.2. Sicherheitswarnmeldungen—Äußere Gefahren der Mechanik

[Dokument BIUUUS12]

Die folgenden Anweisungen betreffen Gefahren auf der Vorder-, Rück- und Oberseite sowie den Seiten der Maschine.



WARNUNG 4: Quetschgefahr—Nur bei Maschinen die an Pendeln aufgehängt sind - Zwischen- oder Freiräume zwischen Trommelgehäuse und Maschinenrahmen können sich verengen und dabei Gliedmaßen einklemmen oder einquetschen. Das Trommelgehäuse bewegt sich während des Betriebes innerhalb des Maschinenrahmens.

- Reichen Sie nicht in das Maschinengestell bzw. hinter die Maschinenverkleidung.
- Halten Sie sich und andere von den Fahrbereichen und -wegen der Anlage fern



WARNUNG 5: Rutsch-, Quetsch- und Stoßgefahr—Fahrbare Betriebsmittel können Sie zu Fall bringen, einwickeln oder Ihnen Stoßverletzungen durch Gegenstände aus der Umgebung zufügen, wenn Sie auf dem Betriebsmittel stehen, gehen oder mitfahren. Verfahrbänder und Hubbänder bewegen sich automatisch.

- Halten Sie sich und andere von der Maschine fern.

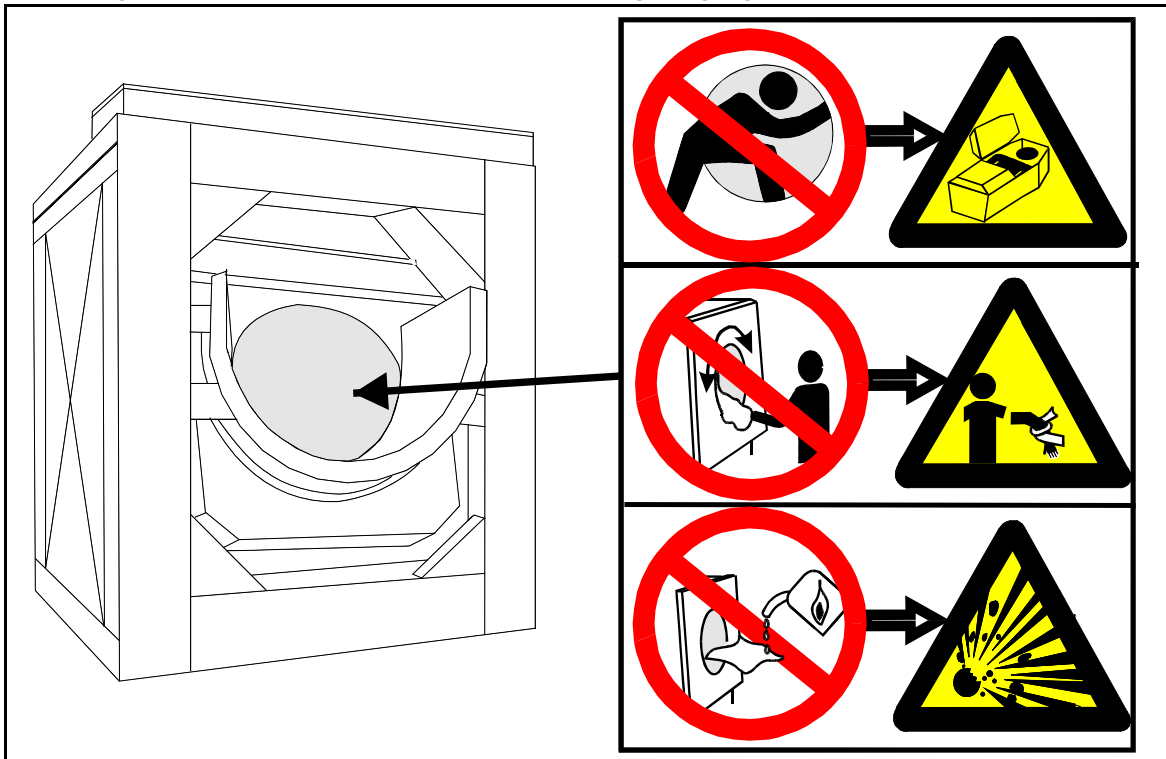
— Ende BIUUUS22 —

4. Gefahren durch Trommel und Behandlungsvorgänge

4.1. Sicherheitsschilder—Gefahren durch Trommel und Behandlungsvorgänge [Dokument BIUUUS17]

Eines oder mehrere Sicherheitsschilder an der Maschine, ähnlich dem im Folgenden abgebildeten Schild, warnen das Personal vor Gefahren durch die Trommel und den Waschvorgang.

Abbildung 3: Gefahren durch Trommel und Behandlungsvorgänge



4.2. Sicherheitswarnmeldungen—Gefahren durch Trommel und Behandlungsvorgänge [Dokument BIUUUS13]

Die folgenden Anweisungen betreffen Gefahren in Bezug auf die Trommel und den Waschvorgang.



VORSICHT GEFAHR [6]: Gefahr von Einwicklung und ernsthaften Verletzungen—

Berührung von Artikeln während ihrer Bearbeitung kann bewirken, daß sich die Artikel um Körper oder Gliedmaßen wickeln und diese abtrennen.

- Versuchen Sie nicht, die Tür zu öffnen oder in die Trommel zu greifen, bevor diese zum Stillstand gekommen ist.
- Berühren Sie keine Artikel, die sich innerhalb der drehenden Trommel befinden oder teilweise heraushängen.
- Machen Sie sich mit der Plazierung aller Not-Stopp-Schalter, Zugleinen und/oder Trittplatten vertraut und benutzen Sie diese im Notfall, um die Maschine zu stoppen.
- Machen Sie sich mit der Position des Hauptschalters der Maschine vertraut und betätigen Sie diesen im Notfall, damit kein Strom mehr an der Maschine anliegt.



WARNUNG 7: Quetschgefahr—Berührung der drehenden Trommel kann Stoßverletzungen an Gliedmaßen hervorrufen. Die Trommel stößt jeden Gegenstand zurück, mit dem versucht wird, sie anzuhalten. Dies kann zu Stoß- oder Stichverletzungen führen.

- Schließen Sie ab, und unterbrechen Sie die Stromzufuhr am Hauptanschluß der Maschine, bevor Sie in die Trommel greifen, steigen oder sich hineinlehnen.
- Legen oder stellen Sie keine Gegenstände in die drehende Trommel.



WARNUNG 8: Enger Raum—Der Aufenthalt in der Trommel kann Personen töten oder verletzen. Folgende Gefahren treten u.a. auf: Platzangst, Verbrennungen, Vergiftung, Erstickung, Hitze, biologische Schädigungen, Stromschlag und Zerquetschung.

- Unternehmen Sie keine unqualifizierten Wartungen, Reparaturen oder Veränderungen.



WARNUNG 9: Explosions- und Brandgefahr—Entflammbare Substanzen können Explosionen oder Feuer in der Trommel, in den Entwässerungsdurchgängen oder in der Kanalisation auslösen. Die Maschine ist für das Waschen mit Wasser ausgelegt, für keinerlei andere Lösungsmittel. Die Bearbeitung lösungsmittelhaltiger Artikel kann zur Absonderung entflammbarer Gase führen.

- Verwenden Sie keine entflammbaren Lösungsmittel für die Bearbeitung.

— Ende BIUUUS23 —

5. Sicherheitswarnmeldungen—Gefährliche Bedingungen

5.1. Gefahren durch Schäden und Fehlfunktionen

5.1.1. Gefahren durch betriebsunfähige Sicherheitseinrichtungen



WARNUNG [10]: Mehrfache Gefahren—Der Betrieb der Maschine mit nicht-betriebsbereiten Sicherheitseinrichtungen kann zu Verletzungen oder Tod von Personen führen, zur Beschädigung oder Zerstörung der Maschine, zu Schäden an Gegenständen und zum Erlöschen der Garantie.

- Unternehmen Sie keine unsachgemäßen Eingriffe an den Sicherheitseinrichtungen, und setzen Sie diese nicht außer Betrieb. Betreiben Sie die Maschine auch nicht mit schadhafte Sicherheitseinrichtungen. Fordern Sie Instandsetzungen durch autorisierte Fachkräfte an.



WARNUNG [11]: Todes- und Verbrennungsgefahr durch Stromschlag—Türen von elektrischen Schaltkästen-Bei Betrieb der Maschine mit geöffneter Tür eines Schaltkastens sind Hochspannungskontakte gegen Berührung innerhalb des Kastens ungeschützt.

- Entriegeln oder öffnen Sie nicht die Türen der Schaltkästen.



WARNUNG [12]: Verhakungs- und Quetschgefahr—Schutzgitter, Abdeckungen und Seitenbleche - Bei Betreiben der Maschine mit fehlenden Schutzgittern, Abdeckungen und Seitenblechen sind sich bewegende Maschinenteile gegen Berührung ungeschützt.

- Entfernen Sie keine Schutzgitter, Abdeckungen oder Seitenbleche.

5.1.2. Gefahren durch beschädigte Teile der Mechanik



WARNUNG [13]: Mehrfache Gefahren—Das Betreiben einer schadhafte Maschine kann zu Verletzung oder Tod von Personen führen, zu weiterer Beschädigung oder gar Zerstörung der Maschine oder anderer Gegenstände und zum Erlöschen der Garantie.

- Setzen Sie keine beschädigte oder fehlerhafte Maschine in Betrieb. Fordern Sie eine Instandsetzung durch autorisierte Fachkräfte an.



WARNUNG [14]: Explosions—Trommel-Eine beschädigte Trommel kann während des Schleuderns aufreißen, durch die Wandung schlagen und Metallteile bei hoher Geschwindigkeit fortschleudern.

- Betreiben Sie die Maschine nicht bei Anzeichen von Beschädigung oder Fehlfunktion.

5.2. Gefahren durch unvorsichtige Anwendung

5.2.1. Gefahren durch unvorsichtigen Betrieb-Lebenswichtige Infos für das Bedienpersonal (Beachten Sie bitte auch die im Handbuch erklärten Gefahren für den Bediener)



WARNUNG [15]: Mehrfache Gefahren—Unvorsichtige Bedienung kann zu Verletzung oder gar Tod von Personen führen, zur Beschädigung oder Zerstörung der Maschine und anderer Gegenstände sowie zum Erlöschen der Garantie.

- Unternehmen Sie keine unsachgemäßen Eingriffe an den Sicherheitseinrichtungen, und setzen Sie diese nicht außer Betrieb. Betreiben Sie die Maschine auch nicht mit schadhaften Sicherheitseinrichtungen. Fordern Sie Instandsetzungen durch autorisierte Fachkräfte an.
- Setzen Sie keine beschädigte oder fehlerhafte Maschine in Betrieb. Fordern Sie eine Instandsetzung durch autorisierte Fachkräfte an.
- Unternehmen Sie keine unqualifizierten Wartungen, Reparaturen oder Veränderungen.
- Benutzen Sie die Maschine in keiner Weise entgegen den Herstelleranweisungen.
- Verwenden Sie die Maschine nur zu ihrem gewöhnlichen und vorgesehenen Zweck.
- Machen Sie sich mit den Konsequenzen des Handbetriebes vertraut.



ACHTUNG [16]: Beschädigung von Artikeln und Verlust von Betriebsmitteln und Hilfsstoffen—Die Eingabe fehlerhafter Wäschekuchen-Daten führt zu unsachgemäßer Behandlung, Weiterleitung und Zählung der Posten.

- Machen Sie sich mit den Konsequenzen aus eingegebenen Wäschekuchen-Daten vertraut.

5.2.2. Gefahren durch unvorsichtige Instandsetzung-Lebenswichtige Infos für das Instandsetzungspersonal (Beachten Sie bitte auch die im Handbuch erklärten Gefahren bei Instandsetzung)



WARNUNG [17]: Todes- und Verbrennungsgefahr durch Stromschlag—Die Berührung von unter Hochspannung stehenden Teilen kann ernsthafte Verletzungen oder Stromschlag mit Todesfolge hervorrufen. Hochspannung liegt im Inneren des Schaltschranks an, solange der Trennschalter für die Stromversorgung zur Maschine nicht ausgeschaltet ist.

- Die Maschine darf ausschließlich von qualifiziertem und autorisiertem Personal instandgesetzt werden. Sie müssen die Gefahrenquellen eindeutig verstanden haben und wissen, wie Gefahren zu vermeiden sind.
- Wenn eine Blockierung (Lockout/Tagout) der Maschine in der Wartungsanleitung gefordert wird, ist nach der gegenwärtigen OSHA-Blockierungs-/Tagout-Norm zu verfahren. Außerhalb der USA ist die OSHA-Norm bei Abwesenheit anderer geltender Normen weiterhin zu befolgen.



WARNUNG [18]: Verhakungs- und Quetschgefahr—Berührung von sich bewegenden Teilen, die normalerweise durch Führungen, Abdeckungen oder Seitenbleche abgeschirmt sind, kann Gliedmaßen einquetschen und Stoßverletzungen hervorrufen. Diese Teile bewegen sich automatisch.

- Die Maschine darf ausschließlich von qualifiziertem und autorisiertem Personal instandgesetzt werden. Sie müssen die Gefahrenquellen eindeutig verstanden haben und wissen, wie Gefahren zu vermeiden sind.
- Wenn eine Blockierung (Lockout/Tagout) der Maschine in der Wartungsanleitung gefordert wird, ist nach der gegenwärtigen OSHA-Blockierungs-/Tagout-Norm zu verfahren. Außerhalb der USA ist die OSHA-Norm bei Abwesenheit anderer geltender Normen weiterhin zu befolgen.



WARNUNG [19]: Quetschgefahr—Nur bei kippbaren Maschinen-Das Maschinengestell kann Körper oder Gliedmaßen zerquetschen, wenn es abwärtsfährt oder herunterfällt, während sich darunter Personen befinden. Das Abwärtsfahren ist sowohl bei eingeschalteter als auch bei ausgeschalteter Maschine möglich. Durch manuelle Betätigung der Kippventile werden Sicherheitsfunktionen umgangen. Unsachgemäße Bedienung handbetätigter Kippventile kann

zum Herabfallen des Maschinengestells führen.

- Sichern Sie mittels der beiden Sicherungsstützen gemäß mitgelieferter Anleitung, dann schließen Sie ab und unterbrechen die Stromzufuhr am Hauptanschluß der Maschine, bevor Sie unter der gekippten Maschine arbeiten.
- Betätigen Sie niemals die manuellen Kippventile, während sich jemand unter der Maschine aufhält.
- Die Kippsteuerungen nicht bedienen, wenn sich Personen unter der Maschine befinden.



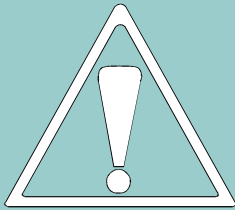
WARNUNG 20: Enger Raum—Der Aufenthalt in der Trommel kann Personen töten oder verletzen. Folgende Gefahren treten u.a. auf: Platzangst, Verbrennungen, Vergiftung, Erstickung, Hitze, biologische Schädigungen, Stromschlag und Zerquetschung.

- Steigen Sie niemals in die Trommel ein, solange diese nicht vollständig gesäubert, ausgespült, entwässert, gekühlt und festgesetzt ist.

— Ende BIUUUS14 —

Section
Italiano

5



Published Manual Number: MTPEUS02

- Specified Date: 20051111
- As-of Date: 20051111
- Access Date: 20051121
- Custom: n/a
- Applicability: PEU
- Language Code: ITA01, Purpose: publication, Format: 1colA

SICUREZZA—

Centrifuga

ATTENZIONE: Le informazioni contenute nel presente manuale sono state fornite dalla Pellerin Milnor Corporation nel **versione solo inglese**. La Milnor ha cercato di ottenere una traduzione di qualità, ma non dichiara, né promette o garantisce la precisione, la completezza o l'adeguatezza delle informazioni contenute nella versione non inglese.

Inoltre, la Milnor non ha verificato in alcun modo le informazioni contenute nella versione non inglese, essendo stata completamente realizzata da terzi. La Milnor, pertanto, nega espressamente ogni responsabilità per errori di sostanza o di forma e non si assume alcuna responsabilità per l'affidabilità o in conseguenza dell'uso delle informazioni presenti nella versione non inglese.

In nessun caso la Milnor o i suoi agenti o funzionari saranno responsabili di alcun danno diretto, indiretto, casuale, punitivo, o conseguente che possa derivare in qualunque modo dall'uso o impossibilità di usare, o facendo affidamento sulla versione non inglese del presente manuale, o che derivi da sbagli, omissioni, o errori di traduzione.

Prodotti applicabili di Milnor® dal numero di modello:

M7E4232C M7E4232L M7E4232R M7V4232C M7V4232L M7V4232R M7V4836C
M7V4840C M9E4232C M9E4232L M9E4232R M9V4232C M9V4232L M9V4232R
MXV4232C

Indice

Sezioni	Illustrazioni, Tabelle e Supplementi
1. Requisiti per la Sicurezza Generale- Informazioni Vitali per il Personale Direttivo (Documento BIUUUS04)	
1.1. Attrezzatura della Lavanderia	
1.2. Personale	
1.3. Dispositivi di Sicurezza	
1.4. Informazioni di pericolo	
1.5. Manutenzione	
2. Rischi Elettrici e Meccanici Interni (Documento BIUUUS21)	
2.1. Cartellini di sicurezza—Rischi Elettrici e Meccanici Interni (Documento BIUUUS15)	Illustrazione 1: Rischi Elettrici e Meccanici Interni
2.2. Messaggi allarme sicurezza—Rischi Elettrici e Meccanici Interni (Documento BIUUUS11)	
3. Rischi Meccanici Esterni (Documento BIUUUS22)	
3.1. Cartellini di sicurezza—Rischi Meccanici Esterni (Documento BIUUUS16)	Illustrazione 2: Rischi Meccanici Esterni
3.2. Messaggi allarme sicurezza—Rischi Meccanici Esterni (Documento BIUUUS12)	
4. Rischi Relativi al Cilindro e al Trattamento (Documento BIUUUS23)	
4.1. Cartellini di sicurezza—Rischi Relativi al Cilindro e al Trattamento (Documento BIUUUS17)	Illustrazione 3: Rischi Relativi al Cilindro e al Trattamento
4.2. Messaggi allarme sicurezza—Rischi Relativi al Cilindro e al Trattamento (Documento BIUUUS13)	
5. Messaggi allarme sicurezza—Condizioni pericolose (Documento BIUUUS14)	
5.1. Rischi dovuti a Danni e Disfunzioni	
5.1.1. Rischi Derivanti da Dispositivi di Sicurezza Inoperanti	
5.1.2. Rischi Derivanti da Dispositivi Meccanici Danneggiati	
5.2. Rischi dovuti a Uso Inesatto	

Sezioni	Illustrazioni, Tabelle e Supplementi
5.2.1. Rischi causati da un Funzionamento Impreciso- Informazioni Vitali per gli Operatori (vedere anche i rischi per l'Operatore contenuti nel manuale)	
5.2.2. Rischi causati da una manutenzione inadeguata- Informazioni Vitali per gli addetti alla manutenzione (vedere anche rischi connessi alla manutenzione contenuti nei manuali)	

1. Requisiti per la Sicurezza Generale- Informazioni Vitali per il Personale Direttivo

Un installazione non corretta, una mancata manutenzione preventiva, un uso scorretto e/o riparazioni inadatte, possono causare un funzionamento pericoloso e provocare ferite, come fratture multiple, amputazioni e persino la morte. Il proprietario o il suo rappresentante(proprietario/utente© è responsabile dell'impiego della macchina e deve garantirne un uso e una manutenzione corretta. Il proprietario/utente deve familiarizzare con i contenuti dei manuali di istruzione della macchina e indirizzare qualsiasi eventuale quesito circa queste istruzioni al concessionario Milnor® o al reparto assistenza tecnica della Milnor®.

La maggior parte delle autorità regolatrici (inclusa la OSHA negli Stati Uniti e la CE in Europa) ritengono in ultima analisi il proprietario/utente responsabile del mantenimento di un ambiente di lavoro sicuro. Di conseguenza, il proprietario/utente deve fare o assicurare le seguenti cose:

- riconoscere tutti i prevedibili rischi per la sicurezza allo interno del suo impianto e prendere provvedimenti per proteggere il suo personale, l'attrezzatura, le strutture,
- che l'ambiente di lavoro sia adatto, allestito in modo appropriato, possa essere utilizzato senza rischi per la salute o la sicurezza, e sia adeguatamente mantenuto;
- li' dove si possano verificare probabili pericoli, l'accesso alle apparecchiature dovrebbe essere limitato solo al personale autorizzato all'uso delle apparecchiature;
- solo operatori specificatamente designati debbono effettuare riparazioni, modifiche, manutenzione o assistenza;
- assicurare informazione, istruzione e addestramento;
- i lavoratori e/o i loro rappresentanti vengano consultati.

L'attrezzatura di lavoro deve attenersi ai requisiti elencati èsotto. Il proprietario/utente deve assicurarsi che l'installazione e la manutenzione dell'attrezzatura venga effettuata in modo tale da soddisfare i seguenti requisiti:

- i dispositivi di controllo devono essere visibili, identificabili e contrassegnati» collocati al di fuori di zone pericolose; non dare luogo a pericoli dovuti ad azioni non intenzionali;
- i sistemi di controllo devono essere sicuri e un guasto/danno non deve costituire un pericolo;
- l'attrezzatura di lavoro deve essere stabilizzata;
- proteggere contro rottura o disintegrazione dell'attrezzatura di lavoro;
- mettere una protezione per prevenire l'accesso a zone pericolose o per bloccare i movimenti di parti pericolose, prima che vengano raggiunte le zone pericolose. Le protezioni devono essere robuste non devono dar luogo a ulteriori pericoli non devono poter essere facilmente rimosse o rese inoperanti collocate a distanza sufficiente dalla zona di pericolo non devono ridurre la visuale del ciclo in funzione permettere le riparazioni, sostituzioni o manutenzione, restringendo l'accesso all'area attinente senza la rimozione del dispositivo di sorveglianza/protezione;
- illuminazione adeguata per le aree di lavoro e di manutenzione;
- la manutenzione dovrebbe essere effettuata quando le apparecchiature èdi lavoro sono spente. Se ciò non è possibile, dovrebbero essere prese delle misure di protezione al di fuori delle zone di pericolo;
- le apparecchiature di lavoro devono essere adatte a prevenire il rischio di incendio o surriscaldamento, scarichi di gas, polvere, liquido, vapore e altre sostanze, esplosioni della attrezzatura o di sostanze in essa contenute.

1.1. **Attrezzatura della Lavanderia**

Fornire un piano d'appoggio che sia sufficientemente robusto e rigido da sostenere il peso della macchina completamente carica e le forze trasmesse da essa quando è in funzione. Fornire uno spazio sufficiente per il movimento della macchina. Fornire delle protezioni di sicurezza, recinti, restrizioni, dispositivi, divieti verbali e/o affissi necessari a evitare che il personale, le macchine o altre apparecchiature in movimento possano raggiungere il macchinario o la sua traiettoria. Fornire una ventilazione adeguata che porti via il calore e i vapori. Assicurarsi che i collegamenti di servizio delle macchine installate si attengano alle norme di sicurezza locali e nazionali, particolarmente per quanto riguarda l'interruzione elettrica (consultare il Codice Elettrico Nazionale). Principalmente le informazioni post-sicurezza che indicano la fonte della interruzione elettrica.

1.2. **Personale**

Informate il personale addetto sui rischi da evitare, l'importanza di agire con attenzione e buon senso. Fornite al personale le istruzioni di sicurezza e di funzionamento da adoperare. Assicuratevi che il personale utilizzi le procedure di sicurezza e di funzionamento appropriate. Accertatevi che il personale comprenda e si attenga alle avvertenze poste sul macchinario e alle precauzioni contenute nei manuali di istruzione.

1.3. **Dispositivi di Sicurezza**

Assicuratevi che nessuno rimuova o disattivi un qualsiasi dispositivo di sicurezza del macchinario o delle attrezzature. Proibite l'utilizzo del macchinario privo di un qualsiasi dispositivo di protezione, uno sportello, un pannello o una porta. Controllate qualsiasi dispositivo difettoso o non perfettamente funzionante prima di mettere in funzione la macchina.

1.4. **Informazioni di pericolo**

I cartellini di sicurezza, la guida alla sicurezza e tutti gli altri manuali della macchina contengono informazioni importanti sui pericoli connessi alla macchina. **I cartellini devono essere tenuti puliti in modo che le informazioni rimangano sempre ben visibili. Se persi o danneggiati, devono essere sostituiti immediatamente. La guida alla sicurezza e gli altri manuali della macchina devono essere sempre disponibili per il personale utilizzatore.** Per i numeri di riferimento dei cartellini di sicurezza si rimanda al manuale di manutenzione della macchina. Contattate l'Ufficio Pezzi di ricambio Milnor per la sostituzione dei cartellini o dei manuali.

1.5. **Manutenzione**

Assicuratevi che il macchinario venga controllato e sottoposto a manutenzione come di buona norma e secondo il piano di manutenzione preventivo. Sostituire i nastri, le puleggie, gli zoccoli/dischi dei freni, le piastre/cuscinetti gonfiabili della frizione, rulli di scorrimento, guarnizioni di tenuta, guide di allineamento ecc. prima che siano eccessivamente usurate. Esaminate immediatamente qualsiasi traccia di guasto ed effettuate le necessarie riparazioni (per es. il cesto, le incrinature della vasca o del telaio, le parti di comando quali il motore, le scatole degli ingranaggi, i cuscinetti, ecc., qualora fossero uggiolanti, stridenti, emettessero fumo o si surriscaldassero in modo anomalo nel caso in cui si notasse un'inclinatura o incrinatura del cesto, della vasca, o del telaio ecc. se vi fossero delle crepe nelle guarnizioni di tenuta, nei tubi flessibili, nelle valvole ecc.) Non autorizzate riparazioni e manutenzione da parte di personale non qualificato.

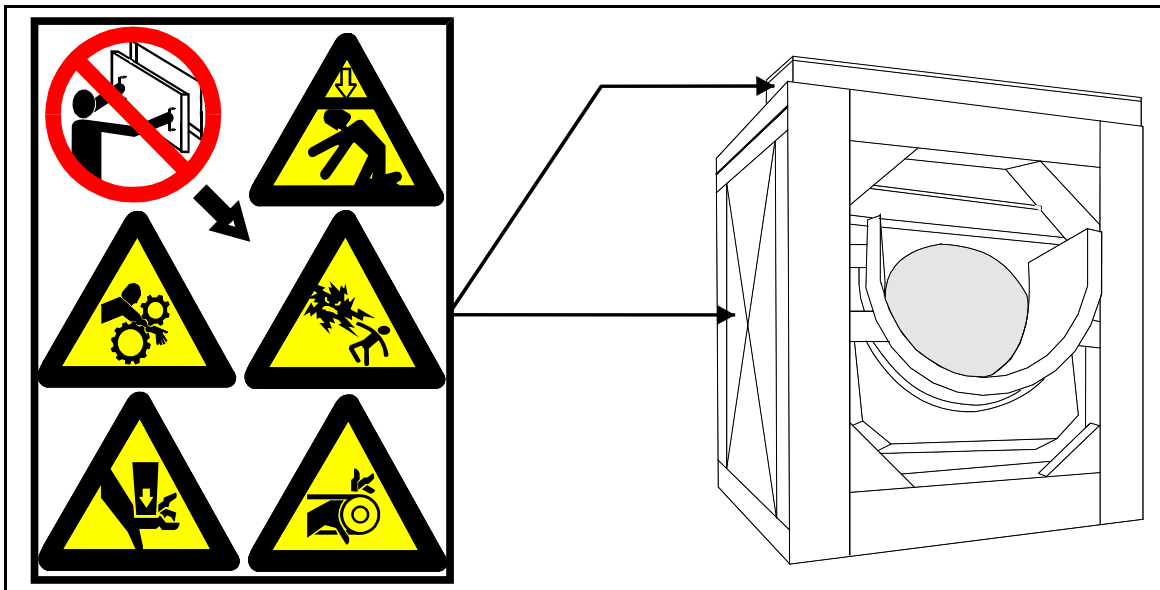
2. Rischi Elettrici e Meccanici Interni

2.1. Cartellini di sicurezza—Rischi Elettrici e Meccanici Interni

[Documento BIUUUS15]

Uno o più cartellini di sicurezza applicati sulla macchina, simili a quelli qui di seguito, avvertono il personale dei pericoli presenti all'interno della macchina e negli armadi elettrici.

Illustrazione 1: Rischi Elettrici e Meccanici Interni



2.2. Messaggi allarme sicurezza—Rischi Elettrici e Meccanici Interni

[Documento BIUUUS11]

Le istruzioni seguenti si riferiscono a pericoli esistenti all'interno della macchina e degli armadi elettrici.



AVVETRENZA [1]: Rischi di Elettrocuzione e di ustioni da scariche elettriche

Il contatto con l'alta tensione può causare la morte o provocare ustioni gravi. All'interno del quadro di comando è sempre presente alta tensione, a meno che non sia spento l'interruttore elettrico principale della macchina.

- Non sbloccate o aprite gli sportelli del quadro elettrico.
- Non spostate protezioni, sportelli o pannelli.
- Non infilatevi nell'alloggiamento o nel telaio della macchina.
- Tenete voi stessi e gli altri lontani dalla macchina.
- Informatevi sulla collocazione del dispositivo principale di disinnesto del macchinario e utilizzatelo in caso di emergenza per eliminare completamente l'energia elettrica dalla macchina.



AVVETRENZA [2]: Rischi di Intrappolamento e Schiacciamento

Il contatto con le parti in movimento generalmente isolate tramite protezioni, sportelli e pannelli può intrappolare e schiacciare i vostri arti. Questi elementi si muovono automaticamente.

- Non spostate protezioni, sportelli o pannelli.

- Non infilatevi nell'alloggiamento o nel telaio della macchina.
- Tenete voi stessi e gli altri lontani dalla macchina.
- Informatevi sulla collocazione di tutti gli interruttori di emergenza, corde di trazione e/o piastre a scatto utilizzateli in caso di emergenza per bloccare il movimento della macchina.



AVVETRENZA [3]: Rischi Derivanti da Schiacciamento—Solo macchinari ribaltabili—L'alloggiamento della macchina può schiacciare il vostro corpo o i vostri arti se si abbassa o cade mentre vi trovate sotto di esso. L'alloggiamento può abbassarsi sia con la macchina in funzione sia quando è spenta. Le operazioni manuali con le valvole di ribaltamento non tengono conto dei chiavistelli di sicurezza. Un'operazione non corretta con le valvole di ribaltamento manuale potrebbe causar l'abbassamento dell'alloggiamento.

- Non spostate protezioni, sportelli o pannelli.
- Non infilatevi nell'alloggiamento o nel telaio della macchina.

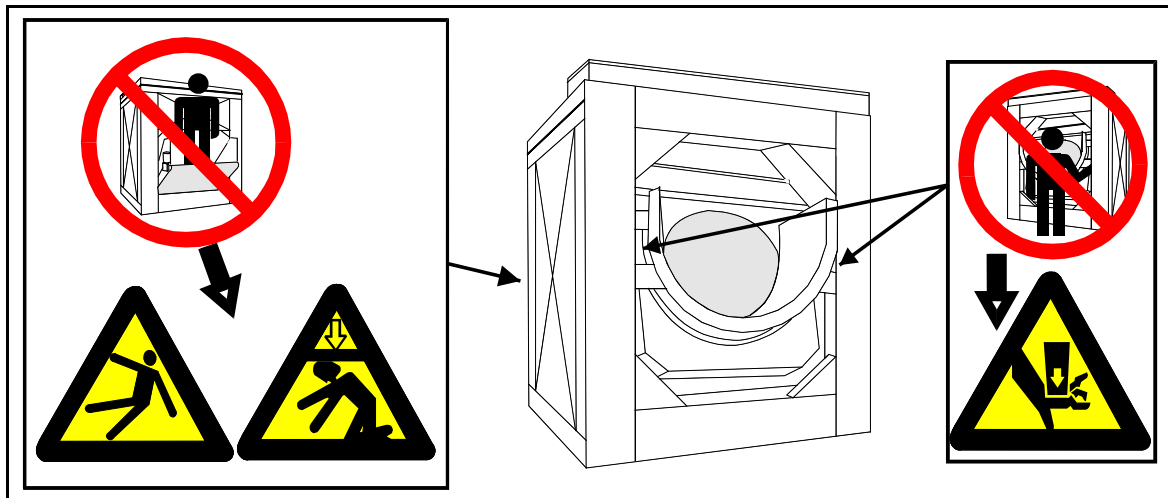
— Estremità BIUUUS21 —

3. Rischi Meccanici Esterni

3.1. Cartellini di sicurezza—Rischi Meccanici Esterni [Documento BIUUUS16]

Uno o più cartellini di sicurezza sulla macchina, simili ai seguenti, avvertono il personale dei pericoli esistenti nelle aree davanti, di fianco, dietro e sopra la macchina.

Illustrazione 2: Rischi Meccanici Esterni



3.2. Messaggi allarme sicurezza—Rischi Meccanici Esterni [Documento BIUUUS12]

Le istruzioni seguenti si riferiscono a pericoli esistenti nelle aree davanti, di fianco, dietro o sopra la macchina.



AVVETRENZA [4]: Rischi Derivanti da Schiacciamento—Solo macchinari pendenti—Gli spazi tra la struttura e l'alloggiamento possono bloccare e schiacciare o comprimere i vostri arti. La struttura si muove all'interno dello alloggiamento durante le operazioni.

- Non infilatevi nell'alloggiamento o nel telaio della macchina.
- Tenete voi stessi e gli altri lontani dalle aree e traiettorie di movimento.



AVVETRENZA [5]: Rischi di Crollo, di Intrappolamento e di Urto—Il movimento della macchina può farvi cadere o farvi rimanere impigliati o colpiti da oggetti che si trovano nelle vicinanze, se stazionare, camminate o vi mettete sulla macchina. Le navette e i nastri trasportatori si muovono automaticamente.

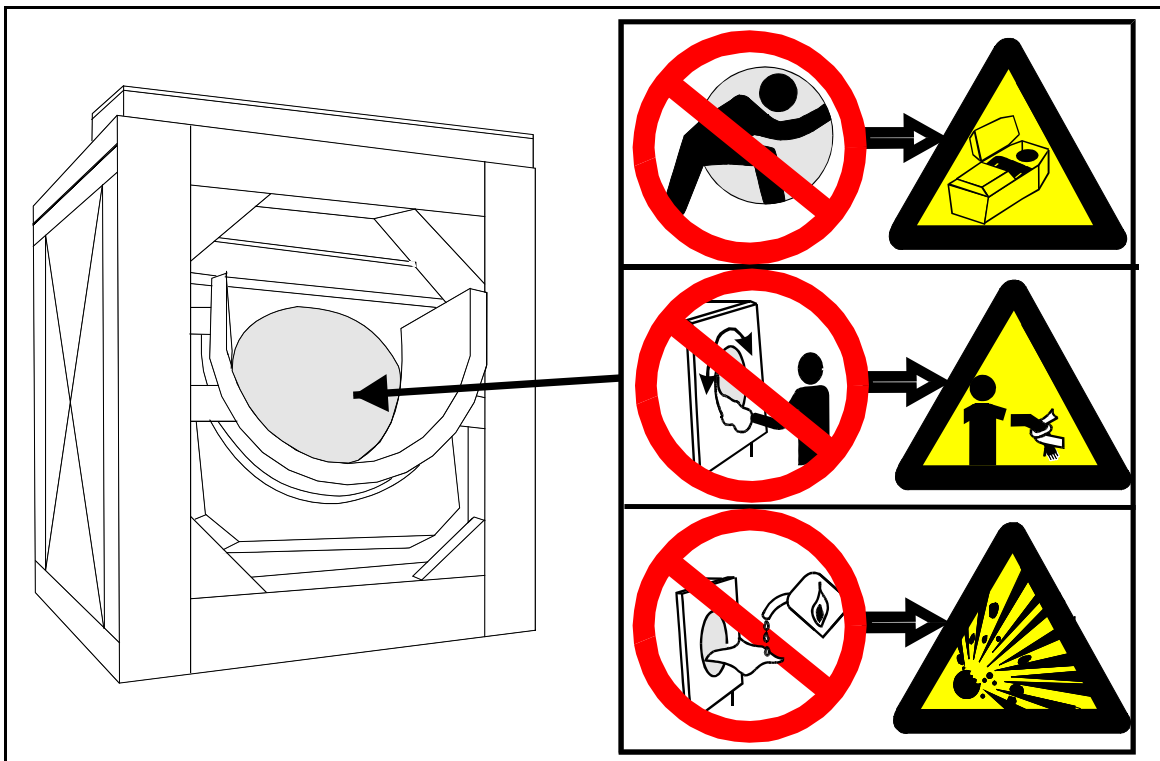
- Tenete voi stessi e gli altri lontani dalla macchina.

4. Rischi Relativi al Cilindro e al Trattamento

4.1. Cartellini di sicurezza—Rischi Relativi al Cilindro e al Trattamento [Documento BIUUUS17]

Uno o più cartellini di sicurezza sulla macchina, simili ai seguenti, avvertono il personale dei pericoli connessi al cilindro e al processo di lavaggio.

Illustrazione 3: Rischi Relativi al Cilindro e al Trattamento



4.2. Messaggi allarme sicurezza—Rischi Relativi al Cilindro e al Trattamento [Documento BIUUUS13]

Le istruzioni seguenti si riferiscono a pericoli connessi al cilindro e al processo di lavaggio.



PERICOLO [6]: Rischi di Intrappolamento e di Ferimento—Il contatto con la biancheria durante il trattamento può far sì che questa si avvolga intorno al vostro corpo o ai vostri arti provocando ferite profonde.

- Non tentate di aprire la porta o di infilarvi nel cesto finché quest'ultimo non sia completamente fermo.
- Non toccate gli indumenti all'interno del cesto che gira o parzialmente pendenti al di fuori di esso.
- Informatevi sulla collocazione di tutti gli interruttori di emergenza, corde di trazione e/o piastre a scatto utilizzateli in caso di emergenza per bloccare il movimento della macchina.
- Informatevi sulla collocazione del dispositivo principale di disinnesto del macchinario e utilizzatelo in caso di emergenza per eliminare completamente l'energia elettrica dalla macchina.



AVVETRENZA [7]: Rischi Derivanti da Schiacciamento—Il contatto con il cesto che gira può causare lo schiacciamento dei vostri arti. Il cesto respingerà qualsiasi oggetto con il quale si tenti di fermarlo facendo probabilmente sì che l'oggetto urti contro di voi o vi ferisca.

- Bloccate e staccate l'elettricità dal dispositivo di disinnesto principale della macchina prima di infilarvi nel cesto.
- Non mettete alcun oggetto nel cesto che gira.



AVVETRENZA [8]: Rischi Causati da Spazio Ristretto—Rimanere intrappolati nel cesto può provocare la morte o ferite. I rischi includono ma non sono limitati a panico, ustioni, avvelenamento, soffocamento, prostrazione da calore, contaminazione biologica, elettrocuzione e schiacciamento.

- Non cercate di effettuare manutenzione, riparazioni o modifiche non autorizzate.



AVVETRENZA [9]: Rischi di Esplosione e di Incendio—Sostanze infiammabili possono esplodere o prendere fuoco nel cesto, nello scolo o nel tubo di scarico. Il macchinario è progettato per lavare con acqua non con altri solventi. Il trattamento può far sì che la biancheria contenente solventi emani vapori infiammabili.

- Non utilizzate solventi infiammabili nel trattamento.

5. Messaggi allarme sicurezza—Condizioni pericolose

5.1. Rischi dovuti a Danni e Disfunzioni

5.1.1. Rischi Derivanti da Dispositivi di Sicurezza Inoperanti



AVVETRENZA [10]: Rischi Vari—Mettere in funzione la macchina con un dispositivo di sicurezza non operante può provocare la morte o ferite al personale, danneggiare o distruggere il macchinario, danneggiare la biancheria e/o invalidare la garanzia.

- Non manomettete o disattivate un qualsiasi dispositivo di sicurezza e non mettete in funzione la macchina con un dispositivo di sicurezza non perfettamente funzionante. Richiedete manutenzione autorizzata.



AVVETRENZA [11]: Rischi di Elettrocuzione e di ustioni da scariche elettriche—Sportelli del quadro elettrico-Mettere in funzione l'impianto con un qualsiasi sportello del quadro elettrico aperto può mettere in pericolo i conduttori ad alto voltaggio allo interno del quadro elettrico.

- Non sbloccate o aprite gli sportelli del quadro elettrico.



AVVETRENZA [12]: Rischi di Intrappolamento e Schiacciamento—Protezioni, sportelli e pannelli-Il funzionamento della macchina con un qualsiasi dispositivo di protezione, sportello o pannello fuori posto può danneggiare le parti in movimento.

- Non spostate protezioni, sportelli o pannelli.

5.1.2. Rischi Derivanti da Dispositivi Meccanici Danneggiati



AVVETRENZA [13]: Rischi Vari—Mettere in funzione un macchinario danneggiato può provocare la morte ferite al personale, ulteriori danni o la distruzione del macchinario, danni alla biancheria e/o invalidare la garanzia.

- Non mettete in funzione un macchinario danneggiato o non perfettamente funzionante. Richiedete una manutenzione autorizzata.



AVVETRENZA [14]: Rischi di Esplosione—Cesto-Un cesto danneggiato si può lacerare durante la centrifuga bucando la struttura e scaricando frammenti di metallo ad alta velocità.

- Non mettete in funzione la macchina qualora risultasse danneggiata o non perfettamente funzionante.

5.2. Rischi dovuti a Uso Inesatto

5.2.1. Rischi causati da un Funzionamento Impreciso- Informazioni Vitali per gli Operatori (vedere anche i rischi per l'Operatore contenuti nel manuale)



AVVETRENZA [15]: Rischi Vari—Azioni disattente da parte dell'operatore possono provocare morte o ferite al personale, danneggiare o distruggere il macchinario, danneggiare la biancheria e/o invalidare la garanzia.

- Non manomettete o disattivate un qualsiasi dispositivo di sicurezza e non mettete in funzione la macchina con un dispositivo di sicurezza non perfettamente funzionante. Richiedete manutenzione autorizzata.

- Non mettete in funzione un macchinario danneggiato o non perfettamente funzionante. Richiedete una manutenzione autorizzata.
- Non cercate di effettuare manutenzione, riparazioni o modifiche non autorizzate.
- Non utilizzate la macchina in modo diverso da quanto indicato nelle istruzioni.
- Utilizzate il macchinario solo per i fini consueti per i quali è stata creato.
- Valutate le conseguenze di operare manualmente.



ATTENZIONE [16]: Danno alle Merci e Risorse Sprecate—Introdurre dati errati in relazione alla pizza provoca un trattamento, un instradamento e un resoconto dei lotti di biancheria non corretto.

- Valutate le conseguenze di inserire dati relativi alla pizza.

5.2.2. **Rischi causati da una manutenzione inadeguata- Informazioni Vitali per gli addetti alla manutenzione (vedere anche rischi connessi alla manutenzione contenuti nei manuali)**



AVVETRENZA [17]: Rischi di Elettrocuzione e di ustioni da scariche elettriche—Il contatto con l'alta tensione può causare la morte o provocare ustioni gravi.

All'interno del quadro di comando è sempre presente alta tensione, a meno che non sia spento l'interruttore elettrico principale della macchina.

- Non effettuate manutenzione alla macchina a meno che non siate qualificati e autorizzati. Dovete essere pienamente consapevoli dei pericoli e di come fare per evitarli.
- Seguite lo standard OSHA di blocco/disinnesto della corrente quando le istruzioni di manutenzione richiedono l'esecuzione di un blocco/disinnesto. Fuori dagli USA, seguite lo standard OSHA se non sono disponibili altri standard superiori.



AVVETRENZA [18]: Rischi di Intrappolamento e Schiacciamento—Il contatto con le parti in movimento generalmente isolate tramite protezioni, sportelli e pannelli può intrappolare e schiacciare i vostri arti. Questi elementi si muovono automaticamente.

- Non effettuate manutenzione alla macchina a meno che non siate qualificati e autorizzati. Dovete essere pienamente consapevoli dei pericoli e di come fare per evitarli.
- Seguite lo standard OSHA di blocco/disinnesto della corrente quando le istruzioni di manutenzione richiedono l'esecuzione di un blocco/disinnesto. Fuori dagli USA, seguite lo standard OSHA se non sono disponibili altri standard superiori.



AVVETRENZA [19]: Rischi Derivanti da Schiacciamento—Solo macchinari ribaltabili—L'alloggiamento della macchina può schiacciare il vostro corpo o i vostri arti se si abbassa o cade mentre vi trovate sotto di esso. L'alloggiamento può abbassarsi sia con la macchina in funzione sia quando è spenta. Le operazioni manuali con le valvole di ribaltamento non tengono conto dei chiavistelli di sicurezza. Un'operazione non corretta con le valvole di ribaltamento manuale potrebbe causar l'abbassamento dell'alloggiamento.

- Proteggete entrambi i supporti di sicurezza rossi secondo le istruzioni fornite, poi bloccate e staccate la corrente elettrica dal dispositivo di disinnesto principale della macchina prima di lavorare sotto il macchinario ribaltato.
- Non mettete in funzione le valvole di ribaltamento manuale quando qualcuno si trova sotto la macchina.
- Non attivate i dispositivi di controllo di inclinazione se qualcuno si trova sotto la macchina.



AVVETRENZA [20]: Rischi Causati da Spazio Ristretto—Rimanere intrappolati nel cesto può provocare la morte o ferite. I rischi includono ma non sono limitati a panico, ustioni, avvelenamento, soffocamento, prostrazione da calore, contaminazione biologica, elettrocuzione e schiacciamento.

- Non infilatevi nel cesto finchè non abbia del tutto scaricato, no sia stato lavato a fondo, prosciugato, raffreddato e immobilizzato.

— Estremità BIUUUS14 —

Section
Español

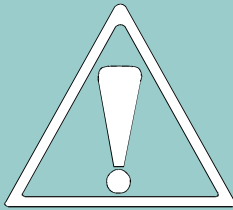
6



Published Manual Number: MTPEUS02

- Specified Date: 20051111
- As-of Date: 20051111
- Access Date: 20051117
- Custom: n/a
- Applicability: PEU
- Language Code: SPA01, Purpose: publication, Format: 1colA

Guía de seguridad— Extractor Centrifugo



PRECAUCIÓN: La Corporación Pellerin Milnor proporcionó la información contenida en este manual, en la **Versión en inglés solamente**. Milnor realizó su mejor esfuerzo para ofrecer una traducción de calidad, pero no declara, promete o garantiza la exactitud, integridad o adecuación de la información contenida en la versión no escrita en inglés.

Además, Milnor no ha hecho ninguna verificación de la información contenida en la versión no escrita en inglés, ya que fue completamente elaborada por terceros. Por lo tanto, Milnor expresamente niega cualquier responsabilidad por errores en sustancia o forma y no se responsabiliza por la utilización como fuente de apoyo, o consecuencias de utilizar la información en la versión no escrita en inglés.

Bajo ninguna circunstancia deberá Milnor o sus representantes o funcionarios ser responsables por daños directos, indirectos, incidentales, punitivos o consecuentes que puedan resultar del uso o mal uso, utilizar como fuente de apoyo la versión no escrita en inglés de este manual, o que puedan resultar de faltas, omisiones o errores en la traducción.

Aplicable Milnor® productos por número de modelo:

M7E4232C M7E4232L M7E4232R M7V4232C M7V4232L M7V4232R M7V4836C
M7V4840C M9E4232C M9E4232L M9E4232R M9V4232C M9V4232L M9V4232R
MXV4232C

Índice general

Secciones	Figuras, tablas y complementos
1. Requisitos de seguridad generales—información vital para los encargados (Documento BIUUUS04)	
1.1. Facilidad de lavandería	
1.2. Personal	
1.3. Dispositivos de seguridad	
1.4. Información sobre peligros	
1.5. Mantenimiento	
2. Peligros eléctricos y mecánicos internos (Documento BIUUUS21)	
2.1. Placas con indicaciones de seguridad—Peligros eléctricos y mecánicos internos (Documento BIUUUS15)	Figura 1: Peligros eléctricos y mecánicos internos
2.2. Mensajes de alerta de seguridad—Peligros eléctricos y mecánicos internos (Documento BIUUUS11)	
3. Peligros Mecánicos Externos (Documento BIUUUS22)	
3.1. Placas con indicaciones de seguridad—Peligros Mecánicos Externos (Documento BIUUUS16)	Figura 2: Peligros Mecánicos Externos
3.2. Mensajes de alerta de seguridad—Peligros Mecánicos Externos (Documento BIUUUS12)	
4. Peligros del cilindro y del proceso (Documento BIUUUS23)	
4.1. Placas con indicaciones de seguridad—Peligros del cilindro y del proceso (Documento BIUUUS17)	Figura 3: Peligros del cilindro y del proceso
4.2. Mensajes de alerta de seguridad—Peligros del cilindro y del proceso (Documento BIUUUS13)	
5. Mensajes de alerta de seguridad—Condiciones peligrosas (Documento BIUUUS14)	
5.1. Peligros resultando del equipo dañado o que funciona incorrectamente	
5.1.1. Peligros resultando de los dispositivos de seguridad inoperantes	
5.1.2. Peligros resultando de los dispositivos mecánicos dañados	

Secciones

Figuras, tablas y complementos

- 5.2. Peligros resultando de usar el equipo negligentemente**
- 5.2.1. Peligros resultando de la operación descuidada—
información vital para los operadores del equipo (Refiera
al manual también.)
- 5.2.2. peligros resultando de descuido durante mantenimiento—
información vital para el personal que mantiene el equipo
(Refiera al manual también.)

1. Requisitos de seguridad generales—información vital para los encargados

La instalación incorrecta, la falta de mantenimiento preventivo, abuso y las reparaciones inadecuadas o cambios a la máquina pueden llevar a una falta de seguridad en su funcionamiento y a daños personales, como fracturas múltiples, amputaciones o la muerte. El dueño o el representante que haya nombrado (dueño o usuario) tiene la responsabilidad de comprender y garantizar que se cumplan los términos correctos de funcionamiento y mantenimiento de la máquina. El dueño o usuario debe familiarizarse con el contenido de todos los manuales de instrucciones de la máquina. EL dueño o usuario debe dirigir cualquier pregunta relativa a estas instrucciones a un distribuidor de Milnor® o al departamento de servicio de Milnor®.

La mayoría de las autoridades que vigilan los reglamentos (incluidas la OSHA en los EE.UU. y la CE en Europa) consideran al dueño o usuario responsables finales del mantenimiento de un medio entorno de trabajo seguro. Por lo tanto, el dueño o usuario debe hacer o asegurarse de que se haga lo siguiente:

- reconocer todos los riesgos de seguridad previsibles en sus instalaciones y dar los pasos necesarios para proteger a sus operarios, equipo e facilidad;
- que el equipo de trabajo sea adecuado, esté correctamente adaptado, pueda emplearse sin riesgos de salud o seguridad y reciba el mantenimiento apropiado;
- que, donde puedan presentarse ciertos riesgos específicos, el acceso al equipo se restrinja a los empleados que tienen la tarea de utilizarlo;
- que sólo los trabajadores específicamente designados lleven a cabo las reparaciones, modificaciones, mantenimiento o servicio;
- que se proporcione información, capacitación y entrenamiento;
- que se consulte a los trabajadores o a sus representantes.

El equipo de trabajo debe ajustarse a los requisitos que se enumeran abajo. El dueño o usuario debe comprobar que la instalación y mantenimiento del equipo se realicen de tal modo que respalden estos requisitos:

- los dispositivos de control deben ser visibles, identificables y estar marcados; deben ubicarse fuera de zonas de peligro y no permitir que haya un riesgo debido a su funcionamiento accidental;
- los sistemas de control deben ser seguros y si se estropean o dañan no deben causar peligro;
- el equipo de trabajo debe estar estabilizado;
- debe haber protección contra la ruptura o desintegración del equipo de trabajo;
- debe haber guardas para impedir el acceso a zonas de riesgo o para detener el movimiento de piezas peligrosas antes de que lleguen a las zonas de peligro. Las guardas deben ser sólidas y no dar pie a riesgos adicionales, que no se les pueda retirar o se pueda evitar su funcionamiento con facilidad, que estén ubicadas a una distancia suficiente de la zona de peligro, que no limiten el campo de visión del ciclo operativo, que permitan los ajustes, reemplazos o mantenimiento mediante la restricción del acceso al área pertinente y sin eliminar el dispositivo de guarda o protección;
- debe haber una iluminación adecuada para las áreas de trabajo y mantenimiento;
- el mantenimiento debe ser posible cuando se apague el equipo de trabajo. Si no es posible, entonces deben tomarse medidas de protección fuera de las zonas de peligro;
- el equipo de trabajo debe ser adecuado para prevenir los riesgos de incendio o sobrecalentamiento, descargas de gas, polvos, líquidos, vapor u otras sustancias, y la explosión del equipo o las sustancias en su interior.

1.1. **Facilidad de lavandería**

Proporcione un piso de apoyo que sea lo bastante fuerte y rígido como para soportar—con un factor razonable de seguridad y sin comba excesiva o inaceptable—el peso de la máquina completamente cargada y de las fuerzas que transmite al estar en funcionamiento. Proporcione espacio suficiente para el movimiento de la máquina. Proporcione las guardas, cercas, retenes, dispositivos y restricciones de seguridad verbales o mediante carteles que sean necesarios para evitar que los operarios, las máquinas u otros equipos con movimiento puedan llegar a la máquina o al espacio en el que se mueve. Proporcione ventilación adecuada para deshacerse del calor y los gases. Asegúrese de que las conexiones de servicio de las máquinas instaladas cumplan con las normas de seguridad locales y nacionales, especialmente por cuanto se refiere a la desconexión eléctrica (consulte el Código Eléctrico Nacional de los EE.UU.). Exhiba de manera prominente la información de seguridad, incluidos los letreros que muestren el lugar de la desconexión eléctrica.

1.2. **Personal**

Informe a los operarios sobre cómo evitar riesgos y la importancia del cuidado y el sentido común. Proporcione a los operarios las instrucciones de seguridad y funcionamiento aplicables. Compruebe que los operarios emplean los procedimientos correctos de seguridad y funcionamiento. Compruebe que los operarios comprenden y respetan las advertencias que están en la máquina y las precauciones señaladas en los manuales de instrucciones.

1.3. **Dispositivos de seguridad**

Asegúrese de que nadie elimine ni desactive ningún dispositivo de seguridad de la máquina o en las instalaciones. No permita que se emplee la máquina si falta alguna guarda, cubierta, panel o puerta. Repare cualquier dispositivo que esté fallando o funcionando mal antes de operar la máquina.

1.4. **Información sobre peligros**

En las placas con indicaciones de seguridad de la máquina, en la Guía de seguridad y en todos los otros manuales de la máquina se proporciona información importante sobre los peligros. **Las placas con indicaciones deben estar limpias para que la información esté clara. Éstas se deben reemplazar inmediatamente si se pierden o se dañan. La Guía de seguridad y los otros manuales de la máquina deben estar disponibles en todo momento para el personal adecuado.** Consulte el manual de servicio de la máquina para conocer los números de parte de las placas con indicaciones de seguridad. Comuníquese con el departamento de partes Milnor en relación con el reemplazo de los manuales o las placas con indicaciones de seguridad.

1.5. **Mantenimiento**

Asegúrese de que la máquina sea inspeccionada y reciba servicio de acuerdo con las normas de práctica correcta y con el programa de mantenimiento preventivo. Reemplace las bandas, poleas, zapatas o discos de freno, zapatas o ruedas del embrague, rodillos, sellos, guías de alineación, etc. antes de que sufran un desgaste grave. Investigue de inmediato cualquier indicio de fallo inminente y haga las reparaciones necesarias (por ejemplo, grietas en el tambor, la carcasa o el armazón; componentes de impulso tales como los motores, cajas de cambios, cojinetes, etc., chillidos, rechinamientos, presencia de humo o calentamiento excesivo; combas o grietas en el tambor, la carcasa, el armazón, etc.; juntas, mangueras válvulas u otros elementos con fugas). No permita que se dé servicio o mantenimiento por parte de personal no calificado.

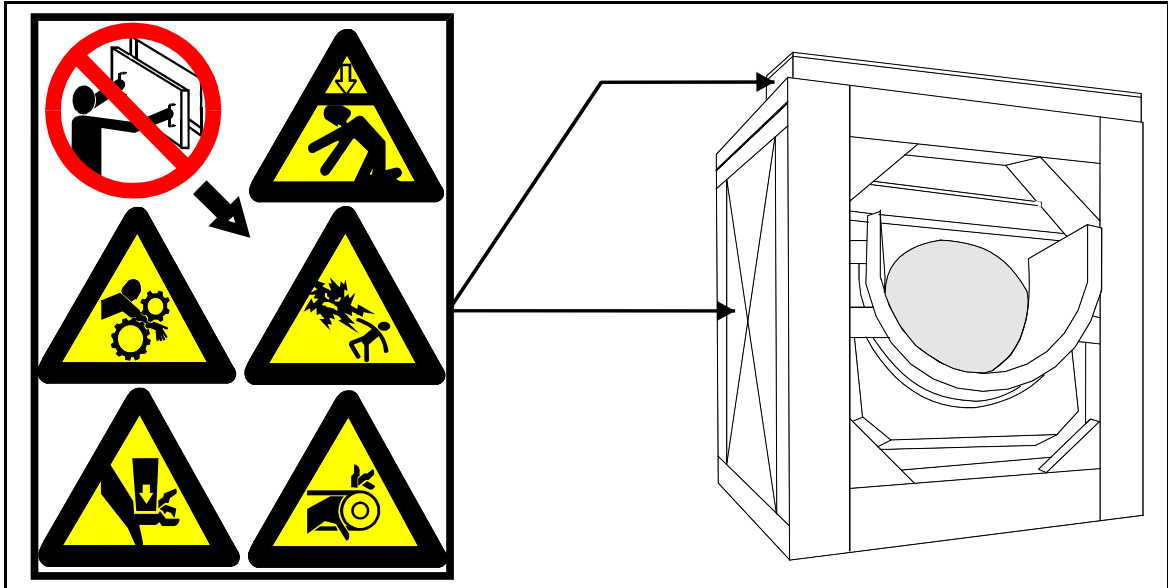
— Fin de BIUUUS04 —

2. Peligros eléctricos y mecánicos internos

2.1. Placas con indicaciones de seguridad—Peligros eléctricos y mecánicos internos [Documento BIUUUS15]

Una o más de las placas con indicaciones de seguridad en la máquina, similares a las siguientes, advierten al personal sobre los peligros dentro de la máquina y en las cajas eléctricas.

Figura 1: Peligros eléctricos y mecánicos internos



2.2. Mensajes de alerta de seguridad—Peligros eléctricos y mecánicos internos [Documento BIUUUS11]

Lo que se presenta a continuación son las instrucciones sobre los peligros dentro de la máquina y en las cajas eléctricas.



ADVERTENCIA [1]: Riesgos de electrocución y quemaduras por electricidad—El contacto con la energía eléctrica puede ocasionarle lesiones graves o la muerte. La energía eléctrica está presente dentro del gabinete a menos que esté apagada la desconexión principal de energía de la máquina.

- No desbloquee ni abra las puertas de los tableros eléctricos.
- No retire las guardas, cubiertas o paneles.
- No introduzca la mano en la cubierta o carcasa de la máquina.
- Para evitar posibles daños, es conveniente que las personas se mantengan alejadas de la máquina.
- Debe conocer la ubicación de la desconexión principal de la máquina y utilizarla en una emergencia para eliminar toda la energía eléctrica de la máquina.



ADVERTENCIA [2]: Riesgos de enredo y aplastamiento—El contacto con componentes en movimiento que están habitualmente aislados por guardas, cubiertas y paneles pueden ocasionarle daños, tales como que sus miembros se enreden y aplasten. Estos componentes se mueven de manera automática.

- No retire las guardas, cubiertas o paneles.

Peligros eléctricos y mecánicos internos

- No introduzca la mano en la cubierta o carcasa de la máquina.
- Para evitar posibles daños, es conveniente que las personas se mantengan alejadas de la máquina.
- Debe conocer la ubicación de todos los interruptores, cuerdas de las que se puede tirar o placas que se puedan dañar, y emplearlos en caso de una emergencia para detener el movimiento de la máquina.



ADVERTENCIA 3: Riesgo de aplastamiento —Sólo para máquinas basculantes—La cubierta de la máquina puede aplastarle el cuerpo o miembros si desciende o cae estando usted bajo ella. La cubierta puede descender con la energía activada o desactivada. El funcionamiento manual de las válvulas de basculado anula los interbloques de seguridad. El funcionamiento incorrecta de las válvulas de basculado manual puede hacer que descienda la cubierta.

- No retire las guardas, cubiertas o paneles.
- No introduzca la mano en la cubierta o carcasa de la máquina.

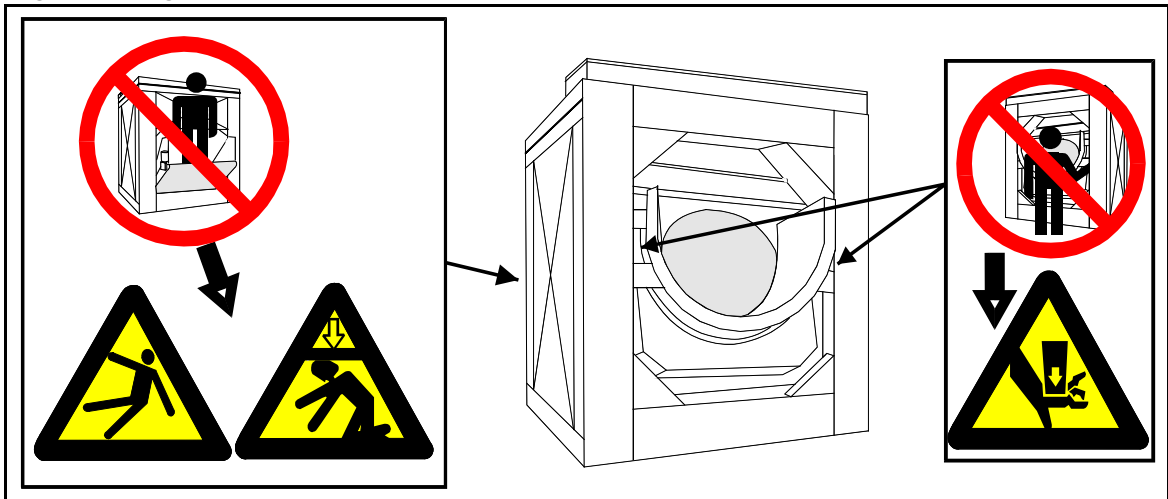
— Fin de BIUUUS21 —

3. Peligros Mecánicos Externos

3.1. Placas con indicaciones de seguridad—Peligros Mecánicos Externos [Documento BIUUUS16]

Una o más placas con indicaciones de seguridad en la máquina, similares a la siguiente, alertan al personal sobre los peligros alrededor de la parte delantera, lateral, trasera o superior de la máquina.

Figura 2: Peligros Mecánicos Externos



3.2. Mensajes de alerta de seguridad—Peligros Mecánicos Externos

[Documento BIUUUS12]

Lo que se presenta a continuación son las instrucciones sobre los peligros alrededor de la parte delantera, lateral, trasera o superior de la máquina.



ADVERTENCIA [4]: Riesgo de aplastamiento —Sólo para las máquinas suspendidas— Los espacios entre el armazón y la cubierta pueden cerrarse y aplastarle o pellizcarle los miembros. El armazón se mueve dentro de la cubierta cuando la máquina está en funcionamiento.

- No introduzca la mano en la cubierta o carcasa de la máquina.
- Para evitar daños, las personas deben mantenerse lejos de las áreas y caminos del movimiento.



ADVERTENCIA [5]: Riesgos de caída, enredo y golpes—El movimiento de la máquina puede provocar que usted caiga o se vea enredado o lo golpeen objetos cercanos si se pone de pie, camina o monta sobre la máquina. Las lanzaderas y las bandas sinfín se mueven de manera automática.

- Para evitar posibles daños, es conveniente que las personas se mantengan alejadas de la máquina.

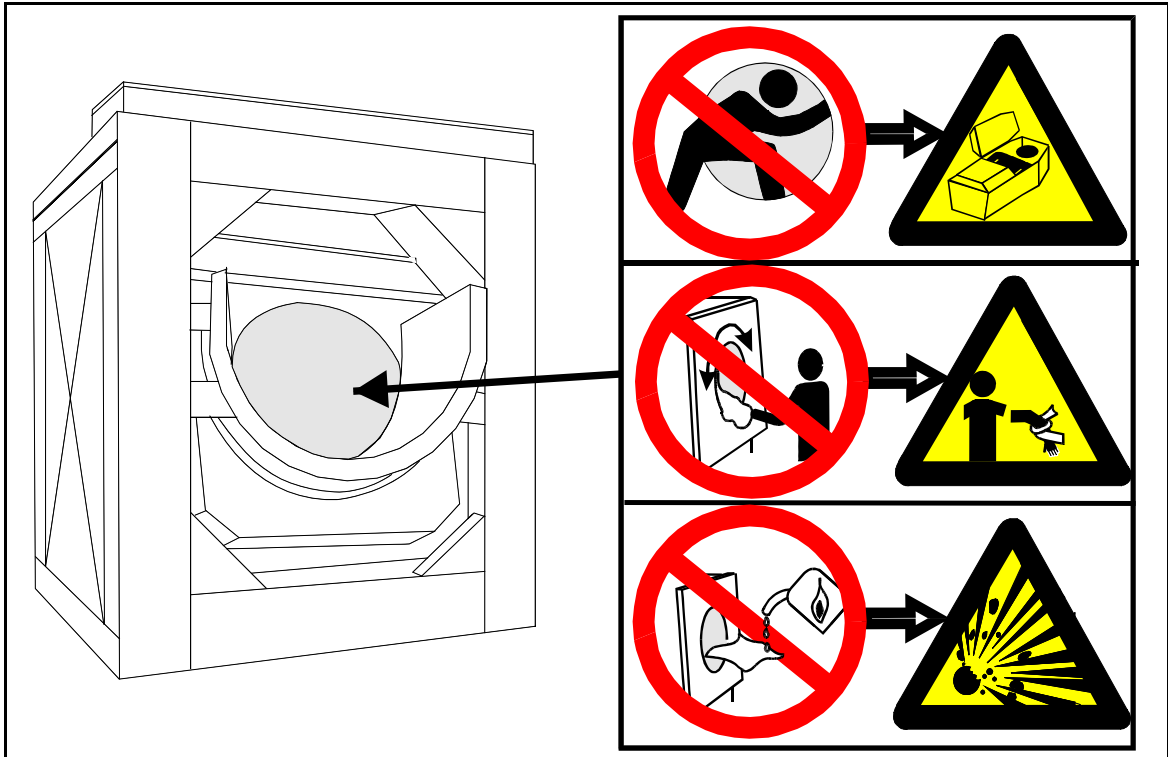
— Fin de BIUUUS22 —

4. Peligros del cilindro y del proceso

4.1. Placas con indicaciones de seguridad—Peligros del cilindro y del proceso [Documento BIUUUS17]

Una o más placas con indicaciones de seguridad en la máquina, similares a la siguiente, alertan al personal sobre los peligros relacionados con el cilindro y el proceso de lavado de ropa.

Figura 3: Peligros del cilindro y del proceso



4.2. Mensajes de alerta de seguridad—Peligros del cilindro y del proceso [Documento BIUUUS13]

Lo que se presenta a continuación son las instrucciones sobre los peligros relacionados con el cilindro y el proceso de lavado de ropa.



PELIGRO [6]: Riesgos de enredo y mutilación—El contacto con la ropa que se está procesando puede causar que ésta se enrede en su cuerpo o miembros causándole daños.

- No intente abrir la puerta o introducir la mano en el tambor hasta que éste se haya detenido.
- No toque la ropa que esté dentro o parcialmente fuera del tambor cuando éste esté girando.
- Debe conocer la ubicación de todos los interruptores, cuerdas de las que se puede tirar o placas que se puedan dañar, y emplearlos en caso de una emergencia para detener el movimiento de la máquina.
- Debe conocer la ubicación de la desconexión principal de la máquina y utilizarla en una emergencia para eliminar toda la energía eléctrica de la máquina.



ADVERTENCIA [7]: Riesgo de aplastamiento —El contacto con el tambor en movimiento puede aplastar sus miembros. El tambor repelerá cualquier objeto con el que usted pudiera tratar de detenerlo, pudiendo causar que el objeto lo golpee o se le clave.

- Bloquee y señalice la energía en la desconexión principal de la máquina antes de introducir la mano en el tambor.
- No coloque ningún objeto en el tambor cuando esté girando.



ADVERTENCIA [8]: Riesgos de los espacios cerrados—El confinamiento dentro del tambor puede causarle heridas o, incluso, la muerte. Los riesgos son, entre otros, pánico, quemaduras, envenenamiento, asfixia, agotamiento por calor, contaminación biológica, electrocución y aplastamiento.

- No intente poner en funcionamiento o realizar reparaciones o modificaciones sin autorización.



ADVERTENCIA [9]: Riesgos de fuego y explosión—Las sustancias inflamables pueden estallar o arder en el tambor, el canal de desagüe o el drenaje. La máquina está diseñada solamente para lavar con agua, no con cualquier otro solvente. El procesamiento puede causar que los tejidos que contengan solventes emitan vapores inflamables.

- No utilice solventes inflamables para el procesamiento.

— Fin de BIUUUS23 —

5. Mensajes de alerta de seguridad—Condiciones peligrosas

5.1. Peligros resultando del equipo dañado o que funciona incorrectamente

5.1.1. Peligros resultando de los dispositivos de seguridad inoperantes



ADVERTENCIA [10]: Riesgos diversos—El funcionamiento de la máquina con un dispositivo de seguridad que no funcione puede causar heridas o la muerte a los operarios, dañar o destruir la máquina, causar daños a la propiedad o anular la garantía.

- No interfiera con, ni desactive, ningún dispositivo de seguridad ni ponga en funcionamiento la máquina con un dispositivo de seguridad que no esté funcionando correctamente. Solicite servicio autorizado.



ADVERTENCIA [11]: Riesgos de electrocución y quemaduras por electricidad—Puertas de los tableros eléctricos—El funcionamiento de la máquina con la puerta de cualquier tablero eléctrico abierta puede dejar al descubierto los cables de alto voltaje que hay en su interior.

- No desbloquee ni abra las puertas de los tableros eléctricos.



ADVERTENCIA [12]: Riesgos de enredo y aplastamiento—Guardas, cubiertas y paneles—El funcionamiento de la máquina sin alguna de sus guardas, cubiertas o paneles deja al descubierto componentes en movimiento.

- No retire las guardas, cubiertas o paneles.

5.1.2. Peligros resultando de los dispositivos mecánicos dañados



ADVERTENCIA [13]: Riesgos diversos—El funcionamiento de una máquina dañada puede herir o matar al personal operario, causar más daños a la máquina o destruirla, dañar la propiedad y anular la garantía.

- No haga funcionar una máquina dañada o que tenga problemas de funcionamiento. Solicite servicio autorizado.



ADVERTENCIA [14]: Riesgos de explosión—Tambor—Un tambor dañado puede desgarrarse durante extracción, perforando la carcasa y lanzando fragmentos de metal a gran velocidad.

- No ponga en funcionamiento la máquina si hay indicación de algún daño o mal funcionamiento.

5.2. Peligros resultando de usar el equipo negligentemente

5.2.1. Peligros resultando de la operación descuidada—información vital para los operadores del equipo (Refiera al manual también.)



ADVERTENCIA [15]: Riesgos diversos—Las acciones descuidadas de los operarios pueden causar heridas o la muerte a los operarios, dañar o destruir la máquina, causar daños a la propiedad o anular la garantía.

- No interfiera con, ni desactive, ningún dispositivo de seguridad ni ponga en

funcionamiento la máquina con un dispositivo de seguridad que no esté funcionando correctamente. Solicite servicio autorizado.

- No haga funcionar una máquina dañada o que tenga problemas de funcionamiento. Solicite servicio autorizado.
- No intente poner en funcionamiento o realizar reparaciones o modificaciones sin autorización.
- No emplee la máquina de ninguna forma que sea contraria a las instrucciones del fabricante.
- Utilice la máquina sólo para el propósito habitual o para el que fue creada.
- Comprenda las consecuencias del funcionamiento manual.



PRECAUCIÓN [16]: Daño a la ropa y recursos desperdiciados—La introducción de datos incorrectos de la barra puede hacer que el procesamiento, encaminamiento y contabilización de los lotes sean incorrectos.

- Debe comprender las consecuencias que conlleva la introducción de datos de la barra.

5.2.2. peligros resultando de descuido durante mantenimiento—información vital para el personal que mantiene el equipo (Refiera al manual también.)



ADVERTENCIA [17]: Riesgos de electrocución y quemaduras por electricidad—El contacto con la energía eléctrica puede ocasionarle lesiones graves o la muerte. La energía eléctrica está presente dentro del gabinete a menos que esté apagada la desconexión principal de energía de la máquina.

- No realice el servicio a la máquina a menos que esté calificado y autorizado. Debe comprender claramente los peligros y la manera de evitarlos.
- Cumpla con la norma actual de etiquetado/bloqueo de OSHA cuando se indique en las instrucciones de servicio. Fuera de EE.UU., cumpla con la norma de OSHA en ausencia de cualquier otra norma predominante.



ADVERTENCIA [18]: Riesgos de enredo y aplastamiento—El contacto con componentes en movimiento que están habitualmente aislados por guardas, cubiertas y paneles pueden ocasionarle daños, tales como que sus miembros se enreden y aplasten. Estos componentes se mueven de manera automática.

- No realice el servicio a la máquina a menos que esté calificado y autorizado. Debe comprender claramente los peligros y la manera de evitarlos.
- Cumpla con la norma actual de etiquetado/bloqueo de OSHA cuando se indique en las instrucciones de servicio. Fuera de EE.UU., cumpla con la norma de OSHA en ausencia de cualquier otra norma predominante.



ADVERTENCIA [19]: Riesgo de aplastamiento —Sólo para máquinas basculantes—La cubierta de la máquina puede aplastarle el cuerpo o miembros si desciende o cae estando usted bajo ella. La cubierta puede descender con la energía activada o desactivada. El funcionamiento manual de las válvulas de basculado anula los interbloques de seguridad. El funcionamiento incorrecto de las válvulas de basculado manual puede hacer que descienda la cubierta.

- Asegure los soportes de seguridad rojos de acuerdo con las instrucciones que se le han proporcionado y, a continuación, bloquee y señalice la energía en la desconexión principal de la máquina antes de trabajar debajo de la máquina basculada.
- No accione las válvulas manuales de basculado cuando haya alguien debajo de la máquina.
- No accione los controles de basculado cuando haya alguien debajo de la máquina.



ADVERTENCIA [20]: Riesgos de los espacios cerrados—El confinamiento dentro del tambor puede causarle heridas o, incluso, la muerte. Los riesgos son, entre otros, pánico, quemaduras, envenenamiento, asfixia, agotamiento por calor, contaminación biológica, electrocución y aplastamiento.

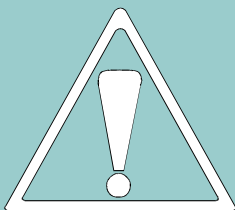
- No entre en el tambor hasta que haya sido purgado, enjuagado, vaciado, enfriado e inmovilizado por completo.

— Fin de BIUUUS14 —

Section

Polski

7



Published Manual Number: MTPEUS02

- Specified Date: 20051111
- As-of Date: 20051111
- Access Date: 20051121
- Custom: n/a
- Applicability: PEU
- Language Code: POL01, Purpose: publication, Format: 1colA

Instrukcja bezpieczeństwa— WIRÓWKI

OSTRZEŻENIE: Informacje zawarte w niniejszej instrukcji zostały przekazane przez Pellerin Milnor Corporation **tylko w wersji angielskiej**. Firma Milnor podjęła wszelkie środki, aby uzyskać tłumaczenie najwyższej jakości, jednakże nie składa ona żadnych oświadczeń, obietnic ani gwarancji dotyczących dokładności, kompletności czy rzetelności informacji zawartych w instrukcji sporządzonej w wersji językowej innej niż angielska.

Firma Milnor nie podjęła prób sprawdzenia informacji zawartych w wersji językowej innej niż angielska, gdyż tłumaczenie zostało w całości wykonane przez stronę trzecią. Dlatego też firma Milnor nie odpowiada za błędy związane z treścią lub formą niniejszej instrukcji i zrzuca się odpowiedzialności za konsekwencje wynikające z korzystania z instrukcji w wersji językowej innej niż angielska.

W żadnym wypadku firma Milnor ani jej przedstawiciele czy też pracownicy nie ponoszą odpowiedzialności za jakiegokolwiek bezpośrednie, pośrednie, uboczne, lub wtórne straty, albo szkody moralne, wynikające z błędów lub pominięć w tłumaczeniu, bądź też będące następstwem stosowania lub niemożności zastosowania niniejszej instrukcji sporządzonej w wersji językowej innej niż angielska, lub polegania na niej.

Stosowane Milnor® produkty wg modelu:

M7E4232C M7E4232L M7E4232R M7V4232C M7V4232L M7V4232R M7V4836C
M7V4840C M9E4232C M9E4232L M9E4232R M9V4232C M9V4232L M9V4232R
MXV4232C

Spis Treści

Rozdziały	Rysunki, Tablice i dodatki
1. Ogólne Wymogi Bezpieczeństwa—Informacje Istotne dla Kadry Zarządzającej (Dokument BIUUUS04)	
1.1. Pomieszczenia Pralni	
1.2. Personel	
1.3. Zabezpieczenia	
1.4. Informacje o zagrożeniach	
1.5. Konserwacja	
2. Wewnętrzne Zagrożenia Elektryczne i Mechaniczne (Dokument BIUUUS21)	
2.1. Plakietki bezpieczeństwa—Wewnętrzne Zagrożenia Elektryczne i Mechaniczne (Dokument BIUUUS15)	Rysunek 1: Wewnętrzne Zagrożenia Elektryczne i Mechaniczne
2.2. Ostrzeżenia o niebezpieczeństwie—Wewnętrzne Zagrożenia Elektryczne i Mechaniczne (Dokument BIUUUS11)	
3. Zewnętrzne Zagrożenia Mechaniczne (Dokument BIUUUS22)	
3.1. Plakietki bezpieczeństwa—Zewnętrzne Zagrożenia Mechaniczne (Dokument BIUUUS16)	Rysunek 2: Zewnętrzne Zagrożenia Mechaniczne
3.2. Ostrzeżenia o niebezpieczeństwie—Zewnętrzne Zagrożenia Mechaniczne (Dokument BIUUUS12)	
4. Zagrożenia ze strony Procesu Pralniczego i Bębna (Dokument BIUUUS23)	
4.1. Plakietki bezpieczeństwa—Zagrożenia ze strony Procesu Pralniczego i Bębna (Dokument BIUUUS17)	Rysunek 3: Zagrożenia ze strony Procesu Pralniczego i Bębna
4.2. Ostrzeżenia o niebezpieczeństwie—Zagrożenia ze strony Procesu Pralniczego i Bębna (Dokument BIUUUS13)	
5. Ostrzeżenia o niebezpieczeństwie—Warunki niebezpieczne (Dokument BIUUUS14)	
5.1. Ryzyko Uszkodzeń i Nieprawidłowego Funkcjonowania	
5.1.1. Zagrożenia Spowodowane Nieczynnymi Urządzeniami Zabezpieczającymi	

Rozdziały	Rysunki, Tablice i dodatki
5.1.2. Zagrożenia Spowodowane Uszkodzeniem Urządzeń Mechanicznych	
5.2. Zagrożenia Wynikające z Niedbałego Wykorzystania	
5.2.1. Zagrożenia Spowodowane Nieostrożną Obsługą— Informacje Istotne dla Użytkownika (patrz również w całej instrukcji: Zagrożenia Użytkownika)	
5.2.2. Zagrożenia Spowodowane Niedbałym Serwisowaniem— Informacje Istotne dla Serwisantów (patrz również w innych instrukcjach: Zagrożenia Serwisowania)	

1. Ogólne Wymogi Bezpieczeństwa—Informacje Istotne dla Kadry Zarządzającej

Niewłaściwa instalacja, zaniechanie systematycznej konserwacji, nadmierne i/lub nieodpowiednie naprawy albo wprowadzanie zmian do maszyny mogą spowodować niebezpieczeństwo i wypadki osób pracujących w pralni: złamania, amputacje kończyn, śmierć. Właściciel lub wskazany przez niego przedstawiciel (właściciela/użytkownika), jest odpowiedzialny za zapewnienie właściwego działania i konserwacji urządzeń w pralni. Właściciel/użytkownik musi zapoznać się z wszystkimi instrukcjami maszyny. Właściciel/użytkownik powinien kierować pytania dotyczące tych instrukcji do dystrybutora Milnora® lub do departamentu Serwisu Milnor®.

Większość instytucji ustalających normy (włączając OSHA w USA i CE w Europie) wskazuje właściciela/użytkownika jako jedyne odpowiedzialnego za utrzymanie bezpieczeństwa w miejscu pracy. Z tego względu właściciel/użytkownik powinien zadbać o następujące sprawy:

- rozpoznać wszystkie przewidywalne niebezpieczeństwa, które mogą wystąpić na terenie jego zakładu i przedsięwziąć działania mające na celu ochronę jego personelu, urządzeń i budynku;
- odpowiednio wyposażać, przystosować do miejsca pracy i odpowiednio konserwować wyposażenie tak aby mogło być używane bezpiecznie, bez ryzyka dla zdrowia;
- tam gdzie może wystąpić wyjątkowe zagrożenie ograniczyć dostęp do urządzeń do osób przeszkolonych w zakresie użytkowania;
- tylko specjalnie wydelegowani pracownicy mogą naprawiać, zmieniać, konserwować i serwisować maszyny;
- zapewnić informacje, instrukcje i szkolenia;
- zapewnić konsultacje z pracownikami i/lub ich przedstawicielami.

Wyposażenie musi zgadzać się z wymogami na poniższej liście. Właściciel/użytkownik musi sprawdzić czy instalacja i konserwacja wyposażenia wykonywane są zgodnie z tymi wymogami:

- sterowniki powinny być widoczne, identyfikowalne i oznaczone; umieszczone na zewnątrz stref niebezpiecznych; nie mogą zwiększać ryzyka spowodowanego niezamierzonym użyciem;
- system kontroli musi być bezpieczny i awaria lub uszkodzenie nie może powodować niebezpieczeństwa;
- urządzenie powinno być wypoziomowane;
- odpowiednia ochrona zapobiegająca pęknięciu lub rozbiciu wyposażenia;
- zabezpieczenia: ograniczenie dostępu do stref niebezpiecznych lub zatrzymanie ruchomych części maszyny przed wejściem do stref niebezpiecznych. Ochraniacze muszą być mocne, trudne do ściągnięcia i zepsucia, umieszczone w odpowiedniej odległości od strefy niebezpieczeństwa; nie mogą przesłaniać widoku na proces prania, umożliwiać dopasowanie, wymianę lub konserwację poprzez ograniczony dostęp do właściwych obszarów, bez usuwania ochraniaczy/zabezpieczeń;
- odpowiednie oświetlenie stref operacyjnych i konserwacji.
- konserwacja możliwa jest gdy urządzenia są wyłączone. Jeśli nie ma takiej możliwości, należy zabezpieczyć strefy niebezpieczne z zewnątrz;
- odpowiednie wyposażenie, zapobiegające powstawaniu pożarów lub przegrzaniu, ulatnianiu się gazu, kurzu, płynów, oparów i innych substancji, eksplozjom wyposażenia lub substancji wewnątrz.

1.1. Pomieszczenia Pralni

Należy zapewnić odpowiednie podłoże, wystarczająco solidne i twarde aby wytrzymało—charakteryzujące się odpowiednim wskaźnikiem bezpieczeństwa, nie zmieniające kształtu i poziomu—ciężar całkowicie załadowanej maszyny i siły przekazywane przez nią podczas pracy. Należy zapewnić odpowiednią przestrzeń dla ruchów maszyny, wszelkie ochraniacze, ogrodzenia, przeszkody, urządzenia, i słowne i/lub pisemne ostrzeżenia ścienne, ograniczające dostęp personelu, maszyn i innych ruchomych urządzeń do maszyn i ich toru ruchu. Należy zapewnić odpowiednią wentylację, dzięki której wyciągane jest ciepło i opary. Trzeba się upewnić, że przyłącza spełniają lokalne normy i są zgodne z prawem danego kraju, szczególnie należy zwrócić uwagę na wyłączniki elektryczne (patrz Krajowy Kod Elektryczny). W miejscu pracy powinny znaleźć się wyróżniające się ścienne komunikaty bezpieczeństwa, z uwzględnieniem znaków wskazujących główny wyłącznik elektryczny.

1.2. Personel

Poinformuj personel o konieczności unikania niebezpieczeństwa, zachowywaniu ostrożności i zdrowego rozsądku. Przekaż użytkownikom przeznaczone dla nich instrukcje obsługi i bezpieczeństwa. Sprawdź czy personel odpowiednio obsługuje maszynę i czy stosuje odpowiednie procedury pracy i bezpieczeństwa. Sprawdź czy pracownicy rozumieją i stosują się do ostrzeżeń na maszynie i komunikatów bezpieczeństwa w instrukcjach.

1.3. Zabezpieczenia

Upewnij się, że nikt nie usuwa lub nie wyłącza któregoś z zabezpieczeń w maszynie lub w pomieszczeniu. Nie dopuść do tego, aby maszyna pracowała bez którejkolwiek osłony, pokrywy, panelu lub drzwi. Zanim przystąpisz do obsługi maszyny napraw uszkodzone lub nieprawidłowo działające części.

1.4. Informacje o zagrożeniach

Na plakietkach maszyny, w Instrukcji bezpieczeństwa i w innych instrukcjach maszyny zamieszczono ważne informacje dotyczące zagrożeń. **Plakietki należy utrzymywać w czystości, tak aby zamieszczone na nich informacje były czytelne. Zagubione lub uszkodzone plakietki należy niezwłocznie wymieniać na nowe. Pracownicy muszą mieć stale zapewniony dostęp do Instrukcji bezpieczeństwa i innych instrukcji maszyny.** Numery części plakietek bezpieczeństwa podano w instrukcji serwisowej. W celu uzyskania plakietek i instrukcji na wymianę należy skontaktować się z Działem Części firmy Milnor.

1.5. Konserwacja

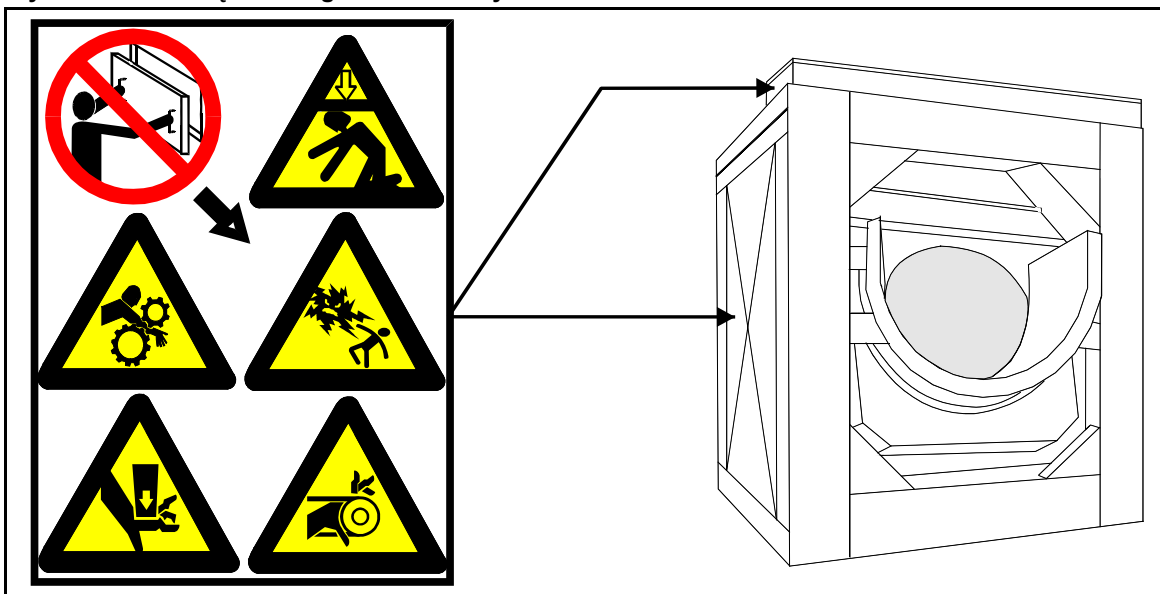
Upewnij się czy maszyna jest poddawana przeglądom i naprawom zgodnie z przyjętymi zasadami i wg ustalonego harmonogramu prac konserwacyjnych. Wymieniaj pasy, koła napędowe, tarcze/szczęki hamulcowe, części sprzęgła, rolki, uszczelniacze, prowadnice, etc. zanim będą bardzo mocno zużyte. Natychmiast sprawdzaj jakiegokolwiek sygnały wskazujące na groźne uszkodzenia i konieczność naprawy (np: trzaski w bębnie, zbiorniku lub ramie, pischczenie, tarcie, dymienie lub nadmierne nagrzewanie się elementów napędowych takich jak: silniki, skrzynie biegów, łożyska; zaganianie lub trzeszczenie bębna, zbiornika, ramy, etc.; przeciekanie uszczelnień, węży elastycznych, zaworów, etc.). Nie pozwalaj na serwisowanie lub konserwację przez niewykwalifikowany personel.

2. Wewnętrzne Zagrożenia Elektryczne i Mechaniczne

2.1. Plakietki bezpieczeństwa—Wewnętrzne Zagrożenia Elektryczne i Mechaniczne [Dokument BIUUUS15]

Jedna lub kilka plakietek bezpieczeństwa na maszynie, podobnych do przedstawionych poniżej, ostrzega pracowników przed zagrożeniami występującymi wewnątrz maszyny i w szafkach elektrycznych.

Rysunek 1: Wewnętrzne Zagrożenia Elektryczne i Mechaniczne



2.2. Ostrzeżenia o niebezpieczeństwie—Wewnętrzne Zagrożenia Elektryczne i Mechaniczne [Dokument BIUUUS11]

Poniżej zamieszczono instrukcje dotyczące zagrożeń występujących wewnątrz maszyny i w szafkach elektrycznych.



OSTRZEŻENIE [1]: Porażenie Prądem i Ryzyko Poparzeń Wywołanych Prądem—Kontakt z wysokim napięciem grozi śmiercią lub poważnymi obrażeniami. Elementy wewnątrz obudowy maszyny pozostają pod napięciem do momentu wyłączenia zasilania odłącznikiem głównym.

- Nie odblokowuj i nie otwieraj drzwi skrzynki elektrycznej.
- Nie ściągaj ochroniaczy, pokryw lub paneli.
- Nie sięgaj do obudowy lub podstawy maszyny.
- Nie zbliżaj się do maszyny. Nie pozwól aby inni zbliżali się do urządzenia.
- Znajdź miejsce podłączenia głównej linii zasilania elektrycznego, skorzystaj z niego w sytuacji zagrożenia, odłączając całe zasilanie z urządzenia.



OSTRZEŻENIE [2]: Zagrożenie Wciągnięcia i Zmiażdżenia—Dotykanie ruchomych elementów, które standardowo zakryte są panelami ochronnymi, pokrywami i płytami, może spowodować wciągnięcie i zmiażdżenie kończyn. Części te poruszają się automatycznie.

- Nie ściągaj ochroniaczy, pokryw lub paneli.

- Nie sięgaj do obudowy lub podstawy maszyny.
- Nie zbliżaj się do maszyny. Nie pozwól aby inni zbliżali się do urządzenia.
- Zlokalizuj wszystkie wyłączniki bezpieczeństwa, linki i/lub blachy zabezpieczające, skorzystaj z nich w razie niebezpieczeństwa, zatrzymując pracujące urządzenie.



OSTRZEŻENIE 3: Ryzyko Zmiażdżenia—Tylko urządzenia z przechyłem—Obudowa maszyny może zmiażdżyć Twoje ciało lub kończyny, jeśli przechyli się lub przewróci, gdy będziesz znajdował się pod nią. Obudowa może opaść zarówno, gdy zasilanie jest włączone, jak i wyłączone. Ręczna obsługa zaworów przechyłu kasuje automatyczne ustawienia wewnętrznych zamków zabezpieczających. Niewłaściwe użytkowanie ręcznych zaworów przechyłu może doprowadzić do opadania obudowy.

- Nie ściągaj ochroniaczy, pokryw lub paneli.
- Nie sięgaj do obudowy lub podstawy maszyny.

— Koniec BIUUUS21 —

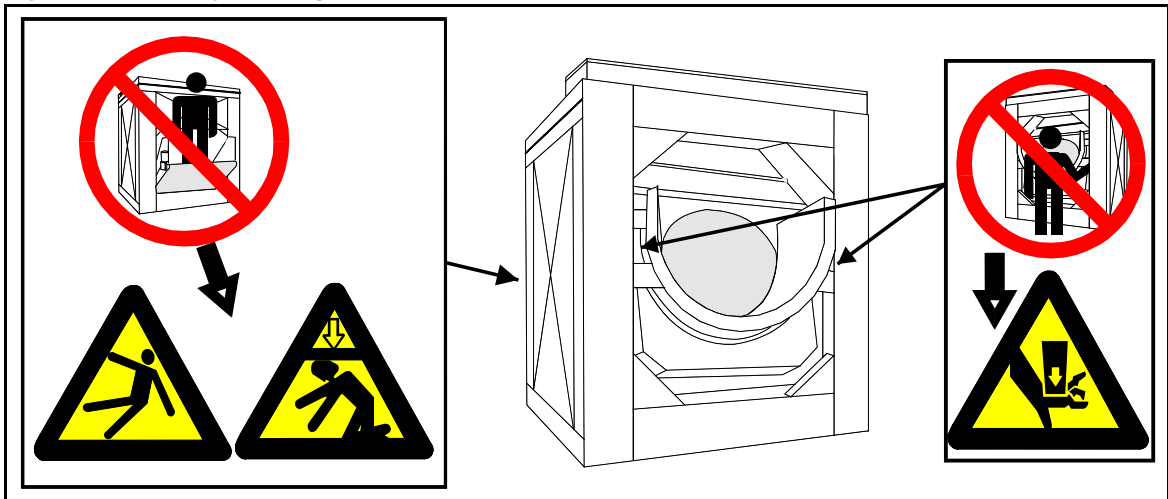
3. Zewnętrzne Zagrożenia Mechaniczne

3.1. Plakietki bezpieczeństwa—Zewnętrzne Zagrożenia Mechaniczne

[Dokument BIUUUS16]

Jedna lub kilka plakietek bezpieczeństwa na maszynie, podobnych do przedstawionych poniżej, ostrzega pracowników przed zagrożeniami występującymi z przodu, po bokach, z tyłu i nad maszyną.

Rysunek 2: Zewnętrzne Zagrożenia Mechaniczne



3.2. Ostrzeżenia o niebezpieczeństwie—Zewnętrzne Zagrożenia Mechaniczne [Dokument BIUUUS12]

Poniżej zamieszczono instrukcje dotyczące zagrożeń występujących z przodu, po bokach, z tyłu lub nad maszyną.



OSTRZEŻENIE [4]: Ryzyko Zmiażdżenia—Tylko maszyny miękkozawieszane—Przestrzeń między obudową wewnętrzną i obudową zewnętrzną może się zamknąć i zmiażdżyć lub ścisnąć Twoje kończyny. Obudowa wewnętrzna porusza się w obrębie obudowy zewnętrznej podczas pracy urządzenia.

- Nie sięgaj do obudowy lub podstawy maszyny.
- Nie przebywaj w obrębie ruchomych części i na torze ruchu maszyny. Pamiętaj, aby inni pracownicy również zachowywali bezpieczną odległość od poruszających się elementów.



OSTRZEŻENIE [5]: Ryzyko Upadku, Zaplątania oraz Wciągnięcia—Jeśli będziesz stawał, chodził po maszynie lub jeździł na niej, jej ruch może spowodować wciągnięcie, zaplątanie ciała w maszynę lub uderzenie przez przedmioty znajdujące się wokół urządzenia. Windy i transportery poruszają się automatycznie.

- Nie zbliżaj się do maszyny. Nie pozwól aby inni zbliżali się do urządzenia.

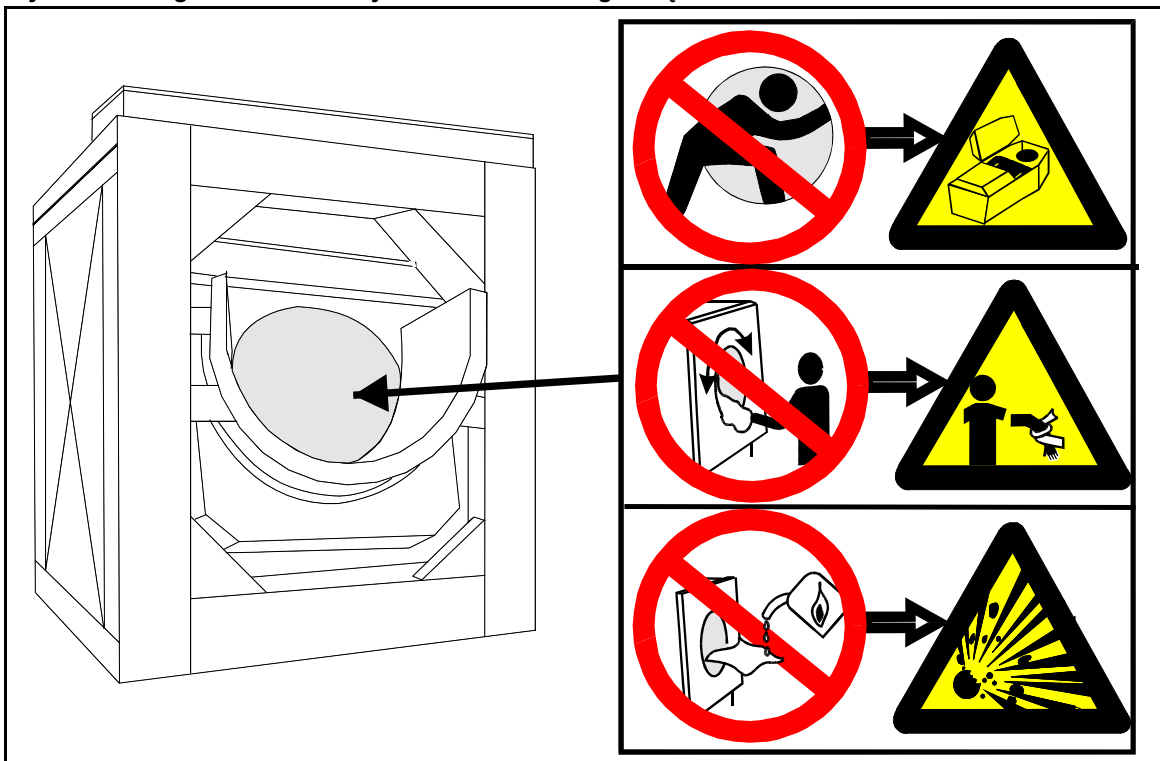
— Koniec BIUUUS22 —

4. Zagrożenia ze strony Procesu Pralniczego i Bębna

4.1. Plakietki bezpieczeństwa—Zagrożenia ze strony Procesu Pralniczego i Bębna [Dokument BIUUUS17]

Jedna lub kilka plakietek bezpieczeństwa na maszynie, podobnych do przedstawionych poniżej, ostrzega pracowników przed zagrożeniami związanymi z bębniem i procesem prania.

Rysunek 3: Zagrożenia ze strony Procesu Pralniczego i Bębna



4.2. Ostrzeżenia o niebezpieczeństwie—Zagrożenia ze strony Procesu Pralniczego i Bębna [Dokument BIUUUS13]

Poniżej zamieszczono instrukcje dotyczące zagrożeń związanych z bębniem i procesem prania.



Niebezpieczeństwo [6]: Zagrożenie Przycięcia i Zaplątania—Dotykanie rzeczy podczas prania może spowodować zaplątanie się ich wokół Twojego ciała lub kończyn i wyrwanie jakiejś części ciała.

- Dopóki bęben nie zatrzyma się, nie próbuj go otwierać i sięgać do środka.
- Gdy bęben się obraca nie dotykaj rzeczy znajdujących się wewnątrz lub tylko częściowo zwisających na zewnątrz.
- Zlokalizuj wszystkie wyłączniki bezpieczeństwa, linki i/lub blachy zabezpieczające, skorzystaj z nich w razie niebezpieczeństwa, zatrzymując pracujące urządzenie.
- Znajdź miejsce podłączenia głównej linii zasilania elektrycznego, skorzystaj z niego w sytuacji zagrożenia, odłączając całe zasilanie z urządzenia.



OSTRZEŻENIE [7]: Ryzyko Zmiażdżenia—Dotykание obracającego się bębna może spowodować zmiżdżenie kończyn. Bęben odepchnie każdy przedmiot, którym będziesz próbował go zatrzymać, odrzucony przedmiot może Cię uderzyć lub wbić się w ciało.

- Zanim sięgniesz do bębna, wyłącz zasilanie i wyłącznik główny maszyny.
- Nie wrzucaj żadnych przedmiotów do obracającego się bębna.



OSTRZEŻENIE [8]: Zagrożenie Zamkniętą Przestrzenią—Zamknięcie w bębnie może spowodować śmierć lub skaleczenie. Wśród zagrożeń znajdują się m.in.: panika, oparzenie, zatrucie, uduszenie, wyczerpanie z przegrzania, skażenie biologiczne, porażenie prądem oraz połamanie ciała.

- Nie dopuść do serwisowania oraz dokonywania napraw i zmian w urządzeniu przez nieautoryzowanych techników.



OSTRZEŻENIE [9]: Zagrożenie Eksplozji i Pożaru—Substancje palne mogą wybuchnąć lub zapalić się w bębnie, korycie spustowym lub kanale ściekowym. Maszyna przeznaczona jest do prania wodnego, nie wolno prac w rozpuszczalnikach innego typu. Poddanie procesowi prania rzeczy nasączonych rozpuszczalnikami może spowodować wydzielanie się łatwopalnych oparów.

- W procesie prania nie używaj palnych rozpuszczalników.

— Koniec BIUUUS23 —

5. Ostrzeżenia o niebezpieczeństwie—Warunki niebezpieczne

5.1. Ryzyko Uszkodzeń i Nieprawidłowego Funkcjonowania

5.1.1. Zagrożenia Spowodowane Nieczynnymi Urządzeniami Zabezpieczającymi



OSTRZEŻENIE [10]: Zagrożenia Inne—Uruchamianie maszyny z niesprawnymi zabezpieczeniami może spowodować śmierć lub kalectwo pracowników pralni, uszkodzenie lub zepsucie maszyny, zepsucie innych maszyn i przedmiotów w pralni i/lub unieważnienie gwarancji.

- Nie manipuluj przy zabezpieczeniach, nie blokuj żadnego z nich i nie uruchamiaj maszyny z niesprawnym zabezpieczeniem. Skontaktuj się z autoryzowanym serwisem.



OSTRZEŻENIE [11]: Porażenie Prądem i Ryzyko Poparzeń Wywołanych Prądem—Drzwi do skrzynki elektrycznej—Praca maszyny z otwartymi drzwiczkami skrzynki elektrycznej może wystawić kable wysokiego napięcia znajdujące w skrzynce, na działanie czynników zewnętrznych.

- Nie odblokowuj i nie otwieraj drzwi skrzynki elektrycznej.



OSTRZEŻENIE [12]: Zagrożenie Wciągnięcia i Zmiażdżenia—Ochroniacze, pokrywy i panele—Praca maszyny bez którejkolwiek pokrywy czy panelu ekspozuje ruchome części.

- Nie ściągaj ochroniaczy, pokryw lub paneli.

5.1.2. Zagrożenia Spowodowane Uszkodzeniem Urządzeń Mechanicznych



OSTRZEŻENIE [13]: Zagrożenia Inne—Praca uszkodzonej maszyny może spowodować śmierć lub kalectwo personelu, dalsze uszkodzenie maszyny, obiektu pralni i/lub unieważnienie gwarancji.

- Nie uruchamiaj uszkodzonej lub nieprawidłowo pracującej maszyny. Skontaktuj się z autoryzowanym serwisem.



OSTRZEŻENIE [14]: Zagrożenie Wybuchem—Bęben—Uszkodzony bęben może rozpaść się w trakcie wirowania, przebić zbiornik i wyrzucić z dużą prędkością metalowe fragmenty.

- Nie uruchamiaj maszyny, jeśli podejrzewasz, że jest uszkodzona lub pracuje nieprawidłowo.

5.2. Zagrożenia Wynikające z Niedbałego Wykorzystania

5.2.1. Zagrożenia Spowodowane Nieostrożną Obsługą—Informacje Istotne dla Użytkownika (patrz również w całej instrukcji: Zagrożenia Użytkownika)



OSTRZEŻENIE [15]: Zagrożenia Inne—Nieostrożne działanie użytkownika może doprowadzić do śmierci lub kalectwa personelu, uszkodzenia maszyny i innych urządzeń w pralni i/lub utratę gwarancji.

- Nie manipuluj przy zabezpieczeniach, nie blokuj żadnego z nich i nie uruchamiaj maszyny z niesprawnym zabezpieczeniem. Skontaktuj się z autoryzowanym serwisem.
- Nie uruchamiaj uszkodzonej lub nieprawidłowo pracującej maszyny. Skontaktuj się z autoryzowanym serwisem.

- Nie dopuść do serwisowania oraz dokonywania napraw i zmian w urządzeniu przez nieautoryzowanych techników.
- Nie używaj maszyny w sposób niezgodny z instrukcją producenta.
- Korzystaj z maszyny wyłącznie w zamierzonym i zwyczajowym celu.
- Zapoznaj się i zrozum z konsekwencjami ręcznej obsługi.



OSTRZEŻENIE [16]: Uszkodzenia Prania i Marnowanie Nakładów—Wprowadzenie nieprawidłowych danych, dotyczących danego załadunku powoduje poddanie go niewłaściwemu procesowi prania, niewłaściwej kolejności etapów prania i błędne obliczenie parametrów kąpeli.

- Zapoznaj się z konsekwencjami wprowadzania parametrów załadunku.

5.2.2. Zagrożenia Spowodowane Niedbałym Serwisowaniem—Informacje Istotne dla Serwisantów (patrz również w innych instrukcjach: Zagrożenia Serwisowania)



OSTRZEŻENIE [17]: Porażenie Prądem i Ryzyko Poparzeń Wywołanych Prądem—Kontakt z wysokim napięciem grozi śmiercią lub poważnymi obrażeniami. Elementy wewnątrz obudowy maszyny pozostają pod napięciem do momentu wyłączenia zasilania odłącznikiem głównym.

- Serwisowania maszyny nie powinny podejmować się osoby niewykwalifikowane i nieuprawnione. Należy zapoznać się z zagrożeniami oraz sposobami ich unikania.
- Zawsze, gdy instrukcja serwisowa nakazuje zablokowanie/oznaczenie zasilania głównego maszyny, należy postępować zgodnie z obowiązującymi normami amerykańskiej agencji OSHA (w USA). Poza USA należy stosować normy OSHA zawsze, gdy brak jest innych norm nadrzędnych.



OSTRZEŻENIE [18]: Zagrożenie Wciągnięcia i Zmiażdżenia—Dotykanie ruchomych elementów, które standardowo zakryte są panelami ochronnymi, pokrywami i płytami, może spowodować wciągnięcie i zmiżdżenie kończyn. Części te poruszają się automatycznie.

- Serwisowania maszyny nie powinny podejmować się osoby niewykwalifikowane i nieuprawnione. Należy zapoznać się z zagrożeniami oraz sposobami ich unikania.
- Zawsze, gdy instrukcja serwisowa nakazuje zablokowanie/oznaczenie zasilania głównego maszyny, należy postępować zgodnie z obowiązującymi normami amerykańskiej agencji OSHA (w USA). Poza USA należy stosować normy OSHA zawsze, gdy brak jest innych norm nadrzędnych.



OSTRZEŻENIE [19]: Ryzyko Zmiażdżenia—Tylko urządzenia z przechyłem—Obudowa maszyny może zmiżdżyć Twoje ciało lub kończyny, jeśli przechyli się lub przewróci, gdy będziesz znajdował się pod nią. Obudowa może opaść zarówno, gdy zasilanie jest włączone, jak i wyłączone. Ręczna obsługa zaworów przechyłu kasuje automatyczne ustawienia wewnętrznych zamków zabezpieczających. Niewłaściwe użytkowanie ręcznych zaworów przechyłu może doprowadzić do opadania obudowy.

- Zanim przystąpisz do prac pod przechyloną maszyną, zabezpiecz obie czerwone podstawy zabezpieczające zgodnie z dostarczoną instrukcją, a następnie odłącz i oznacz zasilanie w maszynie na głównym wyłączniku.
- Nie uruchamiaj ręcznie zaworów przechyłu, jeśli ktoś znajduje się pod maszyną.
- Nie używać elementów sterowania odchyleniem, gdy pod maszyną znajdują się ludzie.



OSTRZEŻENIE [20]: Zagrożenie Zamkniętą Przestrzenią—Zamknięcie w bębnie może spowodować śmierć lub skaleczenie. Wśród zagrożeń znajdują się m.in.: panika, oparzenie,

zatrucie, uduszenie, wyczerpanie z przegrzania, skażenie biologiczne, porażenie prądem oraz połamania ciała.

- Nie wchodzić do bębna dopóki nie zostanie on dokładnie wyczyszczony, opłukany, opróżniony z wody, schłodzony i unieruchomiony.

— Koniec BIUUUS14 —