



Published Manual Number/ECN: MMWHUS01UU/2021265A

- Publishing System: TPAS2
- Access date: 06/24/2021
- Document ECNs: Latest

48040F7B, F7D, M7K 68036 & 72046M5K MWF_C & MWF_Y



WARNING
Read this guide
before
installing,
operating, or
servicing the
equipment.

ADVERTENCIA
Lea este
manual antes
de instalar, de
funcionar, o de
mantener el
equipo.



MMWHUS01UU/21265A

1. English

Safety Guide - Tilting Washer-extractor

MMWHUS01EN/2020504A

2. Español

Guía de seguridad - Inclinación lavadora-extractora

MMWHUS01ES/2020504A

English

1

Manual Number: MMWHUS01EN
Edition (ECN): 2020504



Safety Guide

Tilting Washer- extractor



Contents

1 For Owner/Management.....	3
1.1 Vital Safety Information for Owner/Management	3
1.1.1 Preservation of Safe Product Design.....	3
1.1.2 Safety in Laundry Design.....	3
1.1.3 Fostering a Safe Laundry Facility	4
1.2 Proximity Safeguarding for Automatic Shuttle Conveyors	5
1.2.1 Applicability.....	5
1.2.2 References for Proximity Safeguarding	6
1.2.3 Hazards To Personnel in Proximity to Shuttle Conveyors	6
1.2.4 How Milnor® Accommodates Proximity Safeguarding.....	7
1.2.5 Examples of Safety Fencing With Interlocked Gates.....	7
1.2.5.1 Fence Dimensions	9
1.2.5.2 Fence Materials and Setback.....	9
1.2.5.3 Gates.....	9
1.2.5.4 Control Circuitry	9
1.2.5.5 System Emergency Stop Switches	9
1.2.5.6 Isolating Individual Machine Controls.....	9
1.2.5.7 Recommended Signage	10
1.3 Wiring Safety Fence Gate Interlocks on Milnor® Shuttles, Presses and Centrifugal Extractors	10
1.3.1 Precautions	10
1.3.2 Wiring Guidelines.....	10
1.3.3 Testing	11
1.3.3.1 Testing Gate Interlocks.....	11
1.3.3.2 Testing Three-wire Circuit Components on Each Interlocked Machine	11
2 For All Users	13
2.1 Internal Electrical and Mechanical Hazards	13
2.1.1 Safety Placards—Internal Electrical and Mechanical Hazards.....	13
2.1.2 Safety Alert Messages—Internal Electrical and Mechanical Hazards.....	14
2.2 External Mechanical Hazards	15
2.2.1 Safety Placards—External Mechanical Hazards.....	15
2.2.2 Safety Alert Messages—External Mechanical Hazards.....	16
2.3 Cylinder and Processing Hazards	17
2.3.1 Safety Placards—Cylinder and Processing Hazards	17
2.3.2 Safety Alert Messages—Cylinder and Processing Hazards.....	18
2.4 Safety Alert Messages—Unsafe Conditions	20
2.4.1 Damage and Malfunction Hazards	20
2.4.1.1 Hazards Resulting from Inoperative Safety Devices.....	20
2.4.1.2 Hazards Resulting from Damaged Mechanical Devices.....	20
2.4.2 Careless Use Hazards	21
2.4.2.1 Careless Operation Hazards—Vital Information for Operator Person- nel (see also operator hazards throughout manual).....	21
2.4.2.2 Careless Servicing Hazards—Vital Information for Service Personnel (see also service hazards throughout manuals)	21

Figures

Figure 1	Example Fence Layout for Automated Laundering System Where One Tunnel Serves a Bank of Dryers	8
Figure 2	Example Fence Layout for Automated Laundering System Where Two Tunnels Serve a Bank of Dryers	8
Figure 3	Internal Electrical and Mechanical Hazards—Electricity	13
Figure 4	Internal Electrical and Mechanical Hazards—Moving Parts Behind Guards and Covers	13
Figure 5	Internal Electrical and Mechanical Hazards—Utilities and Residual Energy	14
Figure 6	Internal Electrical and Mechanical Hazards—Descending Machine	14
Figure 7	External Mechanical Hazards—Closing Gaps On Machine.....	16
Figure 8	External Mechanical Hazards—Movement Around Machine.....	16
Figure 9	Cylinder and Processing Hazards—Grasping Goods in the Machine	17
Figure 10	Cylinder and Processing Hazards—Confined Space.....	17
Figure 11	Cylinder and Processing Hazards—Hot Surfaces	18
Figure 12	Cylinder and Processing Hazards—Explosives / Flammable Materials in Washer	18

Tables

Table 1	Typical Three-wire Circuit Components	12
---------	---	----

1 For Owner/Management

BNUUUS08 / 2019326

BNUUUS09 0000247237 B.5 12/11/20 8:32 AM Released

1.1 Vital Safety Information for Owner/Management

BNUUUS08.C01 0000241874 A.4 B.5 A.11 12/11/20 8:32 AM Released

As in any industrial environment, machines in a laundry that is not safely maintained can, and sometimes do kill or maim personnel who come in contact with them. Regulatory authorities such as the [Occupational Safety and Health Administration in the USA](#) and the [European Agency for Safety and Health at Work in the European Union](#) hold the owner or his designated representative (owner/management) ultimately responsible for a safe work environment. The information in this document can assist the owner/management in his responsibility to:

- recognize all foreseeable safety hazards and protect against these,
- ensure equipment can be safely used for the tasks needed,
- ensure equipment is adequately maintained,
- ensure that only appropriately trained and authorized personnel access equipment,
- provide the necessary information, instruction, and training,
- consult employees on safety issues of concern to them.

1.1.1 Preservation of Safe Product Design

BNUUUS08.C02 0000243553 A.4 B.5 A.12 12/11/20 8:32 AM Released

Milnor® machines are designed to meet numerous safety requirements. Owner/management is responsible to ensure that the machinery remains safe for the life of the machinery and, with regard to automatic machine motion, machine motion areas are fully guarded in compliance with USA National Standard ANSI Z8.1 (see the following section).

1.1.2 Safety in Laundry Design

BNUUUS08.C03 0000241931 A.4 B.5 A.13 12/11/20 8:32 AM Released

The Milnor® Applications Engineering department can provide assistance in laundry facility design and the correct matching of Milnor® machines with business needs.



NOTICE: The following information includes document numbers for Milnor® documents related to the design of laundries and the layout of equipment. **All of these documents are available at web address <https://milnor.sharefile.com/d-s8408ba617d244d98>.** If you are not able to download any document, please contact the Milnor® Parts department to request a copy.

The activities that result in a safe workplace begin with the design of the facility, which must:

- Provide a supporting floor that is strong and rigid enough to support—with a reasonable safety factor and without undue or objectionable deflection—the weight of the fully loaded machine and the forces transmitted by it during operation. Refer to document BNUUUI01.
- Provide sufficient clearance for machine movement. Request the dimensional drawing(s) for the Milnor® machine model(s) to be installed.
- Provide safety guards, fences, restraints, and/or posted hazard signs to prevent personnel from entering machine movement areas, as specified in ANSI Z8.1-2016. For Milnor® conveyors that traverse, elevate, extend, pivot, and/or tilt, refer to documents BNSUUI01 and BNSUUI02.
- Provide adequate ventilation to carry away heat and vapors. For Milnor® pass-through (system) dryers, refer to document BNDGUI01.
- Meet local and national safety standards, especially regarding machine external electrical disconnect devices (see the National Electric Code). Prominently post safety information that shows the location of electrical disconnect devices.

1.1.3 Fostering a Safe Laundry Facility

BNUUUS08.R01 0000241929 A.4 B.5 A.13 12/11/20 8:32 AM Released

A culture of safety starts at the top. Pellerin Milnor Corporation highly recommends that the owner/management takes the actions explained below to foster a safe workplace environment.

Personnel — Stress the importance of safety in all employee tasks. Put safety first. A good way to do this is with an ongoing safety program, such as those offered by the [OSHA Education Center](#). Provide personnel with the product safety and other instructions that apply to them. Verify that personnel understand and abide by the safety placards on the machines and the safety instructions throughout the product manuals. Periodically ask personnel for any safety concerns they may have and address these.

Safety Devices — Ensure that no one eliminates or disables any safety device on a machine or in the facility. Do not allow a machine to be used with a missing guard, cover, panel or door. Repair any failing or malfunctioning device before allowing a machine to be used.

Safety Information — For Milnor® machines, the most important, but not the only safety instructions are the safety placards affixed to the machine. These alert personnel to general hazards. **Ensure that these placards are kept clean and readable. Have a damaged or missing placard replaced immediately.** See the machine service manual for safety placard part numbers and order replacement placards from the Milnor® Parts department. The machine safety guide provided with the machine, and available free of charge from the Milnor® Parts department, supplements the safety placards. Specialized hazard avoidance information is provided throughout the other machine manuals. For example, service procedures in the service manual provide safety information specific to the procedure. Contact the Milnor® Parts department for machine manuals. Ensure that the safety guide and other machine manuals are available to the appropriate personnel.

Maintenance — Ensure the machine is inspected and serviced in accordance with the preventive maintenance schedule in the maintenance guide and with norms of good practice. Replace wear parts such as belts, brake shoes/disks, rollers, and seals before they are severely worn. Immediately investigate any evidence of impending failure and make needed repairs. Examples are:

- a cylinder, shell, or frame that cracks or bends,
- motors, gear boxes, or bearings that emit a whining or grinding sound or smoke, or that become abnormally hot,
- seals, hoses, or valves that leak.

Do not permit service or maintenance by unqualified personnel.

BNSUUI01 / 2019136

BNSUUI01 0000230083 B.3 1/2/20 2:04 PM Released

1.2 Proximity Safeguarding for Automatic Shuttle Conveyors

BNSUUI01.C01 0000230084 A.4 B.3 A.3 1/2/20 2:04 PM Released

Proximity safeguarding a means of preventing personnel from entering the path of a machine, such as an industrial robot, that moves within a large area.

1.2.1 Applicability

BNSUUI01.C02 0000230082 A.4 B.3 A.3 1/2/20 2:04 PM Released

This document—

applies to Milnor® automated laundering systems with shuttle conveyors that move without operator intervention (automatic operation),

does not apply to shuttles that require operator input continually, such as directing all shuttle movements (manual operation).

1.2.2 References for Proximity Safeguarding

BNSUUI01.C03 0000230081 A.4 B.3 A.3 1/2/20 2:04 PM Released

ANSI Z8.1-2016 “American National Standard for Commercial Laundry and Drycleaning Equipment and Operations - Safety Requirements”

OSHA Standard 29 CFR § 1910.212 “General Requirements for All Machines”

OSHA Directive STD 01-12-002 - Pub 8-1.3 “Guidelines for Robotic Safety”

ANSI/RIA R15.06-2012 “American National Standard for Industrial Robots and Robot Systems- Safety Requirements”

ANSI/ASME B15.1-2000 “Safety Standard for Mechanical Power Transmission Apparatus”

OSHA Publication 3067 “Concepts and Techniques of Machine Safeguarding”

ISO 10472-1 “Safety Requirements for Industrial Laundry Machinery”

1.2.3 Hazards To Personnel in Proximity to Shuttle Conveyors

BNSUUI01.C04 0000230080 A.4 B.3 A.3 1/2/20 2:04 PM Released

Milnor® automated laundering systems use *automatic shuttle conveyors* to transport goods among the processing machines in the system. Depending on model, an automatic shuttle conveyor may move in any of the following ways, in addition to running its conveyor belt(s):

- It may travel along (traverse) a line of machines (typically dryers).
- Its conveyor bed(s) may ascend and descend (elevate) within the machine frame.
- Its conveyor bed(s) may extend and retract within the machine frame.
- The conveyor bed and frame may pivot.
- Wet goods shuttles have a bucket that elevates and tilts.

These motions pose strike, crush, sever, and entrapment hazards to personnel in proximity to the shuttle. **For the safety of personnel, owner/users must provide proximity safeguarding that protects personnel from the moving shuttle.**

A common method of proximity safeguarding is safety fencing with interlocked gates that disable the shuttle when a gate is opened. When a shuttle is disabled, this will eventually cause other machines in the system to *hold* (wait for action from another machine), but it will not necessarily cause them to immediately stop moving. In the case of a tunnel system, the press or centrifugal extractor can pose additional hazards to personnel in proximity to the equipment. **Hence, the safeguards must also disable any presses or extractors.** Tunnels and dryers do not pose a significant hazard to personnel merely because they are in proximity to the equipment, and need not be automatically disabled.



WARNING: Multiple Hazards — Proximity safeguarding provides only partial protection and only against injury resulting from entering the shuttle path. It is not a substitute for proper lockout/tagout procedures and good safety practices.

- ▶ Always lockout/tagout any individual machine (or follow the published maintenance procedures) when performing maintenance or clearing a fault on that machine.
- ▶ Ensure that all personnel understand the safeguards and do not attempt to defeat them.
- ▶ Inspect safeguards weekly to ensure that they are not mechanically or electrically circumvented.

1.2.4 How Milnor® Accommodates Proximity Safeguarding

BNSUUI01.C05 0000230079 A.4 B.3 A.3 1/2/20 2:04 PM Released

Milnor® provides connection points on shuttles, presses and centrifugal extractors for interfacing with devices such as gate interlock switches. These connection points are tagged for easy identification. When Milnor® provides equipment layout drawings for an automated laundering system, it indicates on the drawing, the perimeter of the shuttle movement area that must be guarded. The following hazard statement is displayed on connection point tags as well as equipment layout drawings prepared by Milnor®:



WARNING: Strike, Crush, Sever, and Entrapment Hazards — Serious bodily injury or death can result to personnel in proximity to machinery/systems that traverse, elevate, extend, pivot, and/or tilt. The following mandatory minimum safety requirements must be installed with the machinery system (local codes may require additional precautions):



- ▶ Safety fence enclosing machine movement areas,
- ▶ Lockable electrical interlocks on all gates, properly interfaced as shown on machine schematics, to disable machine movement when any gate is opened,
- ▶ Signs to alert personnel to these hazards, placed prominently around the fenced area.

Although the objectives of proximity safeguarding are the same anywhere, design requirements vary with local codes (which occasionally change) and with the plant layout. For this reason, Milnor® does not provide detailed designs or materials for proximity safeguarding. If the necessary expertise does not exist within the owner/user's organization, consult appropriate sources such as local engineers or architects specializing in industrial facility design.

1.2.5 Examples of Safety Fencing With Interlocked Gates

BNSUUI01.C06 0000230078 A.4 B.3 A.3 1/2/20 2:04 PM Released

Fencing with interlocked gates like that depicted in [Figure 1](#) and [Figure 2](#), may be used to meet the proximity safeguarding requirement. Should the owner/user choose this method, the following information may be useful. However, **this information may not satisfy current or local code requirements. The owner/user must determine its suitability for his particular facility.**

Figure 1. Example Fence Layout for Automated Laundering System Where One Tunnel Serves a Bank of Dryers

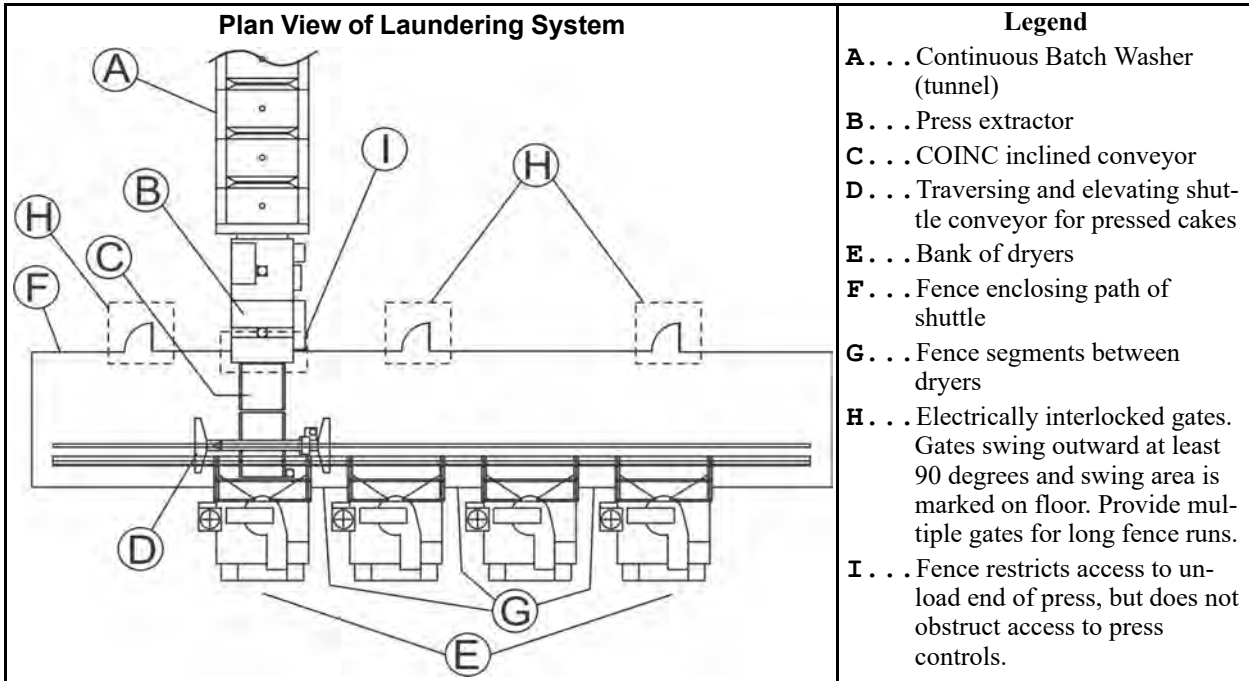
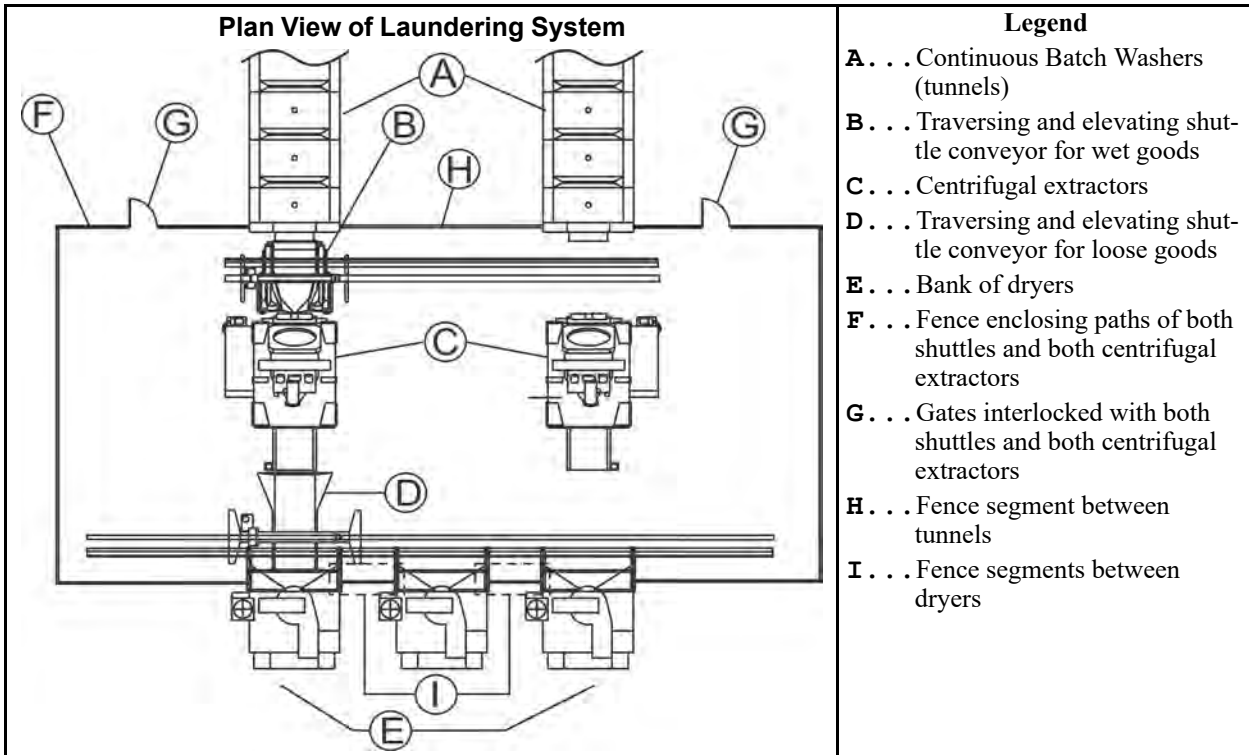


Figure 2. Example Fence Layout for Automated Laundering System Where Two Tunnels Serve a Bank of Dryers



1.2.5.1 Fence Dimensions

BNSUUI01.C07 0000230077 A.4 B.3 A.3 1/2/20 2:04 PM Released

The fence must discourage climbing over and prevent crawling under.

1.2.5.2 Fence Materials and Setback

BNSUUI01.C08 0000230200 A.4 B.3 A.3 1/2/20 2:04 PM Released

The fence must be constructed of materials and located so as to prevent personnel from reaching through gaps in the fence and contacting the enclosed machinery.

1.2.5.3 Gates

BNSUUI01.C09 0000230199 A.4 B.3 A.3 1/2/20 2:04 PM Released

Personnel gates must be held firmly closed but permit personnel to easily pass through when necessary. Gates must be equipped with a positive latching arrangement to prevent accidental opening. Adequate floor space must be provided to allow the gate to swing at least 90 degrees when fully open. Gates must open outward; that is, away from the fenced perimeter. The floor must be permanently marked to show the gate's swing area, to discourage obstructing its movement.

1.2.5.4 Control Circuitry

BNSUUI01.C10 0000230198 A.4 B.3 A.3 1/2/20 2:04 PM Released

All gates must be electrically interlocked with any shuttle conveyors within the fenced area and with any presses or centrifugal extractors that the fence either encloses or intersects. Opening any gate must have the following effects:

1. Shuttle(s), press(es), and/or centrifugal extractor(s) stop moving immediately.
2. An audible alarm sounds.
3. Shuttle(s), press(es), and/or centrifugal extractor(s) cannot be restarted merely by closing the gate(s), but must be restarted at the machine control panel once the gate(s) are closed.

Milnor® shuttles, presses and centrifugal extractors provide such functionality when properly interfaced with gate interlock switches.

1.2.5.5 System Emergency Stop Switches

BNSUUI01.C11 0000230197 A.4 B.3 A.3 1/2/20 2:04 PM Released

The laundry must establish rules and procedures that prohibit personnel from remaining within the fenced area with machine(s) enabled, except in accordance with published maintenance procedures. System emergency stop switches (panic buttons) should be provided inside and outside the fenced perimeter. Emergency stop switches should be located so that personnel anywhere inside the fenced perimeter are only a short distance from a switch, and they should be clearly marked as to their locations and function. Connect switches in series with the gate interlocks so that pressing an emergency stop switch performs the same control function as opening a gate.

1.2.5.6 Isolating Individual Machine Controls

BNSUUI01.C12 0000230196 A.4 B.3 A.3 1/2/20 2:04 PM Released

The interlock circuitry for each machine must be electrically isolated from that of the other machines. Hence, each gate interlock switch must provide as many pairs of dry contacts as there are machines to interface to. A pair of switch contacts must never be shared by two or more machines.

1.2.5.7 Recommended Signage

BNSUUI01.C13 0000230195 A.4 B.3 A.3 1/2/20 2:04 PM Released

Safety placards should be posted along the fence and at each gate, alerting personnel to the hazards within. At minimum, the size of lettering and distance between placards should be such that anyone contemplating entering the fenced area will likely see and read the placard first. Wording should be provided in each native language spoken by laundry personnel.

BNSUUI02 / 2020505

BNSUUI02 0000230192 D.2 12/11/20 2:31 PM Released

1.3 Wiring Safety Fence Gate Interlocks on Milnor® Shuttles, Presses and Centrifugal Extractors

BNSUUI02.C01 0000230191 A.4 D.2 B.3 1/2/20 2:04 PM Released

This document is to be used in conjunction with Milnor® document W6SYSSG “Micro 6 Systems Schematic: Customer-Provided Safety Fence Gate Interlock”. You will find this schematic document in the circuit guide for your machine. Together, these documents describe how to connect a customer-provided gate switch or series of switches to any Milnor® shuttle, press, or centrifugal extractor. Another Milnor® document—BNSUUI01 “Proximity Safeguarding for Automatic Shuttle Conveyors”—discusses the general hazards that safety fencing addresses.

1.3.1 Precautions

BNSUUI02.C02 0000230275 A.4 D.2 A.3 1/2/20 2:04 PM Released



WARNING: Electrocuting and Electrical Burn Hazards — Contact with electric power can kill or seriously injure you. Electric power is present inside the cabinetry unless the main machine power disconnect is off.



- ▶ Do not service the machine unless qualified and authorized. You must clearly understand the hazards and how to avoid them.
- ▶ Perform all work with machine power locked out/tagged out.



WARNING: Strike and Crush Hazards — A traveling machine such as a shuttle can strike, crush, or entrap you if you ride on it or enter its path. Traveling machines or their components can move automatically in any direction. Placing a system machine on line by energizing the machine control may immediately summon a shuttle or other traveling machine.



- ▶ Lock out and tag out power to the traveling machine at the main machine disconnect if you must work in the path of the traveling machine.

1.3.2 Wiring Guidelines

BNSUUI02.C03 0000230274 A.4 D.2 B.2 12/11/20 2:30 PM Released

As explained in BNSUUI01, a gate interlock switch must have one pole per machine to be interlocked. Each pole on the switch must be electrically isolated from any other poles on that switch. The gate interlock circuit for a given machine is a series circuit that includes one pole per switch (per gate). This circuit is wired into, and becomes part of the machine's *three-wire circuit* (see definition below).

three-wire circuit a circuit that provides control power for all machine functions. Any of several safety devices in the three-wire circuit will open the circuit and stop machine operation if a malfunction is detected. Once open, the three-wire circuit can only be closed by manual intervention and then only if the condition that opened the circuit is rectified.

W6SYSSG depicts schematically, various circuit segments the technician may encounter, depending on the type and age of the machine. Only one depiction will match a given machine. It may be helpful to refer to the electrical schematics for your machine; however, you should be able to identify the pertinent electrical components by referring to the tags inside the electric box doors on your machine. You will use one of two wiring methods depending on which circuit segment on W6SYSSG corresponds to your machine:

1. **Jumpered terminals**—Remove the jumper and connect the two incoming conductors to the terminals (pins) where the jumpers were removed. A tag was tied to the jumper at the factory to identify this as the gate interlock switch connection point.
2. **Circuitry that must be split**—Locate convenient connection points (e.g., a pin on a switch) at which to split the circuit and connect the incoming conductors. You may need to splice wires to complete the connection.

1.3.3 Testing

BNSUUI02.C04 0000230273 A.4 D.2 A.3 1/2/20 2:04 PM Released

Once wiring is completed, it is vital to test the system to ensure that:

1. all gate interlocks function properly, and
2. all components that were part of the machine's three-wire circuit before the gate interlocks were added continue to function properly. The objective is to ensure that the added wiring did not inadvertently bypass existing components.

1.3.3.1 Testing Gate Interlocks

BNSUUI02.C05 0000230272 A.4 D.2 A.3 1/2/20 2:04 PM Released

1. Close all gates.
2. Restore power to all interlocked machines.
3. **For each gate:**
 - a. Start all interlocked machines (①) and place in **Manual** mode (all machines idling in manual).
 - b. Open the gate and verify that all interlocked machines shut down (as indicated by their individual operator alarms).
 - c. Close the gate so the next gate can be tested.

1.3.3.2 Testing Three-wire Circuit Components on Each Interlocked Machine

BNSUUI02.C06 0000230271 A.4 D.2 A.3 1/2/20 2:04 PM Released

Typically, these include the components listed in [Table 1](#).

Table 1. Typical Three-wire Circuit Components

Component	Found On		
	Shuttle	Press	Centrifugal Extractor
Stop (0) push button on control panel	✓	✓	✓
Emergency Stop switch(es) (locking push button)	✓	✓	✓
Manually lifted access door (typically two per machine)		✓	
Manually removed access panel (typically two per machine)			✓
Pull cord (certain shuttles)	✓		
Kick plate (typically two per machine)	✓		

Test each interlocked machine as follows:

1. Start the machine and place in **Manual** mode (machine idling in manual).
2. For each three-wire circuit component on the machine:
 - a. Actuate the component (e.g., press the Stop button) and verify that the machine shuts down (as indicated by the operator alarm).
 - b. If needed, de-actuate the component. For example, release an Emergency Stop switch or close an access door, so the next component can be tested.

2 For All Users

BNWHTS01 / 2019195

BNWHTS01 0000233648 A.6 1/2/20 2:19 PM Released

2.1 Internal Electrical and Mechanical Hazards

BNWHTS01.C01 0000235033 A.4 A.6 A.3 1/2/20 2:19 PM Released

2.1.1 Safety Placards—Internal Electrical and Mechanical Hazards

BNWHTS01.C02 0000235032 A.4 A.6 1/2/20 2:19 PM Released

One or more safety placards on the machine, similar to the following, alert personnel to hazards inside the machine and in electrical enclosures.

Figure 3. Internal Electrical and Mechanical Hazards—Electricity



Figure 4. Internal Electrical and Mechanical Hazards—Moving Parts Behind Guards and Covers



Figure 5. Internal Electrical and Mechanical Hazards—Utilities and Residual Energy

⚠ ADVERTENCIA		⚠ WARNING
<p>Para evitar lesiones graves antes de dar servicio o limpiar:</p> <ul style="list-style-type: none"> ● Desconectar todos los servicios como aire, vapor, gas y electricidad. ● Descargar cualquier aire residual. ● Permitir que enfríen las piezas calientes. 		<p>To prevent serious injury, before servicing or cleaning:</p> <ul style="list-style-type: none"> ● Disconnect all utilities such as air, steam, gas, and electricity. ● Release any residual air. ● Allow heated parts to cool.

Figure 6. Internal Electrical and Mechanical Hazards—Descending Machine

⚠ ADVERTENCIA		⚠ WARNING
<p>Riesgo de aplastamiento.</p> <p>La máquina puede bajar repentinamente cuando la energía está ENCENDIDA o APAGADA y causar lesiones graves o la muerte.</p> <p>No colocar ninguna parte del cuerpo abajo de la máquina sin primero asegurar los soportes de seguridad y bloquear/identificar con rótulos la máquina.</p>		<p>Crush hazard.</p> <p>Machine can lower suddenly with power ON or OFF and cause serious injury or death.</p> <p>Do not put any part of your body under machine unless you first secure safety supports and lockout/tagout machine.</p>

2.1.2 Safety Alert Messages—Internal Electrical and Mechanical Hazards

BNWHTS01.C03 0000235031 A.4 A.6 B.1 1/20/20 12:08 PM Released

The following are instructions about hazards inside the machine and in electrical enclosures.



WARNING: Electrocution and Electrical Burn Hazards — Contact with electric power can kill or seriously injure you. Electric power is present inside the cabinetry unless the main machine power disconnect is off.



- ▶ Do not unlock or open electric box doors.
- ▶ Do not remove guards, covers, or panels.
- ▶ Do not reach into the machine housing or frame.
- ▶ Keep yourself and others off of machine.
- ▶ Know the location of the main machine disconnect and use it in an emergency to remove all electric power from the machine.



WARNING: Entangle and Crush Hazards — Contact with moving components normally isolated by guards, covers, and panels, can entangle and crush your limbs. These components move automatically.



- ▶ Do not remove guards, covers, or panels.
- ▶ Do not reach into the machine housing or frame.
- ▶ Keep yourself and others off of machine.
- ▶ Know the location of all emergency stop switches, pull cords, and/or kick plates and use them in an emergency to stop machine motion.



WARNING: Crush Hazards — Tilting machines only—The machine housing will crush your body or limbs if it descends or falls while you are under it. Housing can descend with power off or on. Manual operation of tilting valves overrides safety interlocks. Improper operation of manual tilting valves may cause the housing to descend.



- ▶ Do not remove guards, covers, or panels.
- ▶ Do not reach into the machine housing or frame.

BNWHTS02 / 2019195

BNWHTS02 0000233647 A.7 1/2/20 2:19 PM Released

2.2 External Mechanical Hazards

BNWHTS02.C01 0000235030 A.4 A.7 A.2 1/2/20 2:19 PM Released

2.2.1 Safety Placards—External Mechanical Hazards




BNWHTS02.C02 0000235029 A.4 A.7 1/2/20 2:19 PM Released

One or more safety placards on the machine, similar to the following, alert personnel to hazards around the front, sides, rear or top of the machine.

Figure 7. External Mechanical Hazards—Closing Gaps On Machine

 ADVERTENCIA		 WARNING
<p>Riesgo de aplastamiento.</p> <p>El armazón de la máquina se mueve durante el funcionamiento.</p> <p>Mantenga alejadas las manos y dedos de los espacios libres alrededor de la máquina.</p>		<p>Crush hazard.</p> <p>Machine shell moves during operation.</p> <p>Keep hands and fingers away from gaps around machine.</p>

Figure 8. External Mechanical Hazards—Movement Around Machine

 ADVERTENCIA		 WARNING
<p>Riesgos de lesiones personales.</p> <p>Cuando esté funcionando la máquina, el movimiento de la máquina, puerta y/o cilindro pueden causar lesiones graves o la muerte al demás personal.</p> <p>Asegúrese que todo el personal está a una distancia segura, alejado de la máquina.</p>		<p>Bodily injury hazards.</p> <p>When operating machine, movement of machine, door, and/or cylinder may cause serious injury or death to other personnel.</p> <p>Be sure all personnel are safely away from machine.</p>

2.2.2 Safety Alert Messages—External Mechanical Hazards

BNWHTS02.C03 0000235028 A.4 A.7 A.3 1/2/20 2:19 PM Released

The following are instructions about hazards around the front, sides, rear or top of the machine.



WARNING: Strike and Crush Hazards — Machines with power operated door—The moving door can strike you or crush or pinch your limbs if caught between the door and machine. Some doors move automatically.



- ▶ Keep yourself and others clear of movement areas and paths.
- ▶ Keep both hands on the controls while operating.
- ▶ Do not operate the machine with malfunctioning two-hand manual controls.



WARNING: Crush Hazards — Tilting machines only—The machine can crush your body or limbs if you are caught between the tilting housing and a stationary object. Some machines tilt automatically.



- ▶ Keep yourself and others clear of movement areas and paths.
- ▶ Keep both hands on the controls while operating.

- ▶ Do not operate the machine with malfunctioning two-hand manual controls.



WARNING: Crush Hazards — Suspended machines only—Spaces between the shell and housing can close and crush or pinch your limbs. The shell moves within the housing during operation.



- ▶ Do not reach into the machine housing or frame.
- ▶ Keep yourself and others clear of movement areas and paths.

BNWHTS03 / 2019195

BNWHTS03 0000233646 A.6 1/2/20 2:19 PM Released

2.3 Cylinder and Processing Hazards

BNWHTS03.C01 0000235027 A.4 A.6 A.2 1/2/20 2:19 PM Released

2.3.1 Safety Placards—Cylinder and Processing Hazards

BNWHTS03.C02 0000235026 A.4 A.6 1/2/20 2:19 PM Released

One or more safety placards on the machine, similar to the following, alert personnel to hazards related to the cylinder and laundering process.

Figure 9. Cylinder and Processing Hazards—Grasping Goods in the Machine

⚠ ADVERTENCIA		⚠ DANGER
<p>Riesgo de amputación.</p> <p>El cilindro giratorio puede torcer y arrancar los brazos.</p> <p>Nunca trate de alcanzar o tirar del material dentro de un cilindro cuando este girando.</p>		<p>Amputation hazard.</p> <p>Turning cylinder can twist off arms.</p> <p>Never reach into or pull linen from a turning cylinder.</p>


Figure 10. Cylinder and Processing Hazards—Confined Space

⚠ ADVERTENCIA		⚠ WARNING
<p>Riesgos de espacios restringidos.</p> <p>El encierro en un cilindro puede resultar en lesiones graves o la muerte.</p> <p>No entre en los cilindros, a no ser que sea necesario dar servicio o limpieza.</p> <p>Lea las instrucciones de seguridad en el manual antes de entrar en el cilindro.</p>		<p>Confined space hazards.</p> <p>Confinement in cylinder could result in serious injury or death.</p> <p>Do not climb into cylinder unless servicing or cleaning is necessary.</p> <p>Read safety instructions in manual before entering cylinder.</p>

Figure 11. Cylinder and Processing Hazards—Hot Surfaces

⚠ ADVERTENCIA		⚠ WARNING
<p>Riesgo de quemadura.</p> <p>El contacto puede causar lesiones graves.</p> <p>No tocar.</p>		<p>Burn hazard.</p> <p>Contact can cause serious injury.</p> <p>Do not touch.</p>

Figure 12. Cylinder and Processing Hazards—Explosives / Flammable Materials in Washer

⚠ ADVERTENCIA		⚠ WARNING
<p>Riesgo de explosión e incendio.</p> <p>La máquina en funcionamiento puede encender solventes o vapores inflamables.</p> <p>No procese materiales que contengan sustancias inflamables.</p>		<p>Explosion and fire hazards.</p> <p>Operating machine can ignite flammable solvents or vapors.</p> <p>Do not process goods containing flammable substances.</p>

2.3.2 Safety Alert Messages—Cylinder and Processing Hazards

BNWHTS03.C03 0000235025 A.4 A.6 A.3 1/2/20 2:19 PM Released

The following are instructions about hazards related to the cylinder and laundering process.



DANGER:

Entangle and Sever Hazards — Contact with goods being processed can cause the goods to wrap around your body or limbs and dismember you. The goods are normally isolated by the locked cylinder door.



- ▶ Do not attempt to open the door or reach into the cylinder until the cylinder is stopped.

- ▶ Do not touch goods inside or hanging partially outside the turning cylinder.

- ▶ Do not operate the machine with a malfunctioning door interlock.
- ▶ Open pocket machines only—Do not jog the cylinder and pull the goods at the same time.
- ▶ Open pocket machines only—Keep yourself and others clear of cylinder and goods during jogging operation.
- ▶ Do not operate the machine with malfunctioning two-hand manual controls.

- ▶ Know the location of all emergency stop switches, pull cords, and/or kick plates and use them in an emergency to stop machine motion.
- ▶ Know the location of the main machine disconnect and use it in an emergency to remove all electric power from the machine.



WARNING: Crush Hazards — Contact with the turning cylinder can crush your limbs. The cylinder will repel any object you try to stop it with, possibly causing the object to strike or stab you. The turning cylinder is normally isolated by the locked cylinder door.



- ▶ Do not attempt to open the door or reach into the cylinder until the cylinder is stopped.
- ▶ Do not place any object in the turning cylinder.
- ▶ Do not operate the machine with a malfunctioning door interlock.
- ▶ Open pocket machines only—Keep yourself and others clear of cylinder and goods during jogging operation.
- ▶ Do not operate the machine with malfunctioning two-hand manual controls.



WARNING: Confined Space Hazards — Confinement in the cylinder can kill or injure you. Hazards include but are not limited to panic, burns, poisoning, suffocation, heat prostration, biological contamination, electrocution, and crushing.



- ▶ Do not attempt unauthorized servicing, repairs, or modification.



WARNING: Explosion and Fire Hazards — Flammable substances can explode or ignite in the cylinder, drain trough, or sewer. The machine is designed for washing with water, not any other solvent. Processing can cause solvent-containing goods to give off flammable vapors.



- ▶ Do not use flammable solvents in processing.
- ▶ Do not process goods containing flammable substances. Consult with your local fire department/public safety office and all insurance providers.

BNWHTS04 / 2019195

BNWHTS04 0000233645 A.6 1/2/20 2:19 PM Released

2.4 Safety Alert Messages—Unsafe Conditions

BNWHTS04.C01 0000235024 A.4 A.6 A.2 1/2/20 2:19 PM Released

2.4.1 Damage and Malfunction Hazards

BNWHTS04.C02 0000235048 A.4 A.6 A.2 1/2/20 2:19 PM Released

2.4.1.1 Hazards Resulting from Inoperative Safety Devices

BNWHTS04.C03 0000235047 A.4 A.6 A.3 1/2/20 2:19 PM Released



DANGER: **Entangle and Sever Hazards** — Cylinder door interlock—Operating the machine with a malfunctioning door interlock can permit opening the door when the cylinder is turning and/or starting the cycle with the door open, exposing the turning cylinder.



- ▶ Do not operate the machine with any evidence of damage or malfunction.



WARNING: **Multiple Hazards** — Operating the machine with an inoperative safety device can kill or injure personnel, damage or destroy the machine, damage property, and/or void the warranty.

- ▶ Do not tamper with or disable any safety device or operate the machine with a malfunctioning safety device. Request authorized service.



WARNING: **Electrocution and Electrical Burn Hazards** — Electric box doors—Operating the machine with any electric box door unlocked can expose high voltage conductors inside the box.



- ▶ Do not unlock or open electric box doors.



WARNING: **Entangle and Crush Hazards** — Guards, covers, and panels—Operating the machine with any guard, cover, or panel removed exposes moving components.



- ▶ Do not remove guards, covers, or panels.



WARNING: **Crush Hazards** — Down limit switches (machines with front and rear tilt cylinders)—Failure of both front or both rear limit switches allows the seated tilt wheels on a tilted machine to lift from their cradles. The housing will fall and lunge forward or rearward.

- ▶ Do not operate the machine with any evidence of damage or malfunction.

2.4.1.2 Hazards Resulting from Damaged Mechanical Devices

BNWHTS04.C04 0000235046 A.4 A.6 A.3 1/2/20 2:19 PM Released



WARNING: **Multiple Hazards** — Operating a damaged machine can kill or injure personnel, further damage or destroy the machine, damage property, and/or void the warranty.

- ▶ Do not operate a damaged or malfunctioning machine. Request authorized service.



WARNING: Explosion Hazards — Cylinder—A damaged cylinder can rip apart during extraction, puncturing the shell and discharging metal fragments at high speed.



- ▶ Do not operate the machine with any evidence of damage or malfunction.



WARNING: Explosion Hazards — Clutch and speed switch (multiple motor machines)—A damaged clutch or speed switch can permit the low speed motor to engage during extract. This will over-speed the motor and pulleys and can cause them to rip apart, discharging metal fragments at high speed.



- ▶ Stop the machine immediately if any of these conditions occur:
 - abnormal whining sound during extract
 - skidding sound as extract ends
 - clutches remain engaged or re-engage during extract

2.4.2 Careless Use Hazards

BNWHTS04.C05 0000235045 A.4 A.6 A.2 1/2/20 2:19 PM Released

2.4.2.1 Careless Operation Hazards—Vital Information for Operator Personnel (see also operator hazards throughout manual)

BNWHTS04.C06 0000235044 A.4 A.6 A.3 1/2/20 2:19 PM Released



WARNING: Multiple Hazards — Careless operator actions can kill or injure personnel, damage or destroy the machine, damage property, and/or void the warranty.

- ▶ Do not tamper with or disable any safety device or operate the machine with a malfunctioning safety device. Request authorized service.
- ▶ Do not operate a damaged or malfunctioning machine. Request authorized service.
- ▶ Do not attempt unauthorized servicing, repairs, or modification.
- ▶ Do not use the machine in any manner contrary to the factory instructions.
- ▶ Use the machine only for its customary and intended purpose.
- ▶ Understand the consequences of operating manually.

2.4.2.2 Careless Servicing Hazards—Vital Information for Service Personnel (see also service hazards throughout manuals)

BNWHTS04.C07 0000235043 A.4 A.6 A.3 1/2/20 2:19 PM Released



WARNING: Electrocutation and Electrical Burn Hazards — Contact with electric power can kill or seriously injure you. Electric power is present inside the cabinetry unless the main machine power disconnect is off.



- ▶ Do not service the machine unless qualified and authorized. You must clearly understand the hazards and how to avoid them.

- ▶ Abide by the current OSHA lockout/tagout standard when lockout/tagout is called for in the service instructions. Outside the USA, abide by the OSHA standard in the absence of any other overriding standard.



WARNING: Entangle and Crush Hazards — Contact with moving components normally isolated by guards, covers, and panels, can entangle and crush your limbs. These components move automatically.



- ▶ Do not service the machine unless qualified and authorized. You must clearly understand the hazards and how to avoid them.
- ▶ Abide by the current OSHA lockout/tagout standard when lockout/tagout is called for in the service instructions. Outside the USA, abide by the OSHA standard in the absence of any other overriding standard.



WARNING: Crush Hazards — Tilting machines only—The machine housing will crush your body or limbs if it descends or falls while you are under it. Housing can descend with power off or on. Manual operation of tilting valves overrides safety interlocks. Improper operation of manual tilting valves may cause the housing to descend.



- ▶ Secure both red safety supports in accordance with the instructions furnished, then lock out and tag out power at the main machine disconnect before working under the tilted machine.
- ▶ Do not operate the manual tilt valves with anyone under the machine.
- ▶ Do not operate the tilt controls with anyone under the machine.



WARNING: Crush Hazards — Tilting machines with front and rear tilt cylinders—The housing will fall and lunge forward or rearward if the tilt wheels on the non-tilted end lift out of their cradles, even with safety supports in place.

- ▶ Understand the consequences of operating manually.



WARNING: Confined Space Hazards — Confinement in the cylinder can kill or injure you. Hazards include but are not limited to panic, burns, poisoning, suffocation, heat prostration, biological contamination, electrocution, and crushing.



- ▶ Do not enter the cylinder until it has been thoroughly purged, flushed, drained, cooled, and immobilized.

Español

2



Número manual: MMWHUS01ES
Edición (ECN): 2020504

Guía de seguridad

Inclinación lavadora-extractora



Contenido

1 Para el propietario/administrador	3
1.1 Información esencial de seguridad para el propietario/administrador	3
1.1.1 Conservación del diseño de productos seguros	3
1.1.2 Seguridad en el diseño de la lavandería	3
1.1.3 Propiciación de unas instalaciones de lavandería seguras.....	4
1.2 Protección de proximidad para cintas transportadoras automáticas	6
1.2.1 Aplicabilidad	6
1.2.2 Referencias para protección de proximidad	6
1.2.3 Peligros para el personal en proximidad a cintas transportadoras.....	6
1.2.4 Cómo incorpora Milnor® la protección de proximidad.....	7
1.2.5 Ejemplos de barreras de seguridad con puertas enclavadas	8
1.2.5.1 Dimensiones de la barrera	10
1.2.5.2 Materiales y retroceso de la barrera.....	10
1.2.5.3 Puertas	10
1.2.5.4 Circuitos de control	10
1.2.5.5 Interruptores de parada de emergencia del sistema.....	10
1.2.5.6 Aislamiento de controles de máquina individuales	11
1.2.5.7 Señalización recomendada	11
1.3 Enclavamiento de la puerta de la barrera de seguridad para el cableado en cintas, prensas y extractores centrífugos Milnor®	11
1.3.1 Precauciones	11
1.3.2 Pautas de cableado.....	12
1.3.3 Prueba	12
1.3.3.1 Prueba de enclavamientos de puerta.....	13
1.3.3.2 Prueba de componentes del circuito trifásico en cada máquina con enclavamiento	13
2 Para todos los usuarios	14
2.1 Riesgos electromecánicos internos	14
2.1.1 Placas de seguridad: Riesgos electromecánicos internos.....	14
2.1.2 Mensajes de alerta de seguridad: Riesgos electromecánicos internos.....	15
2.2 Riesgos mecánicos externos	16
2.2.1 Placas de seguridad: Riesgos mecánicos externos	16
2.2.2 Mensajes de alerta de seguridad: Riesgos mecánicos externos.....	17
2.3 Riesgos del tambor y el procesamiento	18
2.3.1 Placas de seguridad: Riesgos del tambor y el procesamiento	18
2.3.2 Mensajes de alerta de seguridad: Riesgos del tambor y el procesamiento.....	20
2.4 Mensajes de alerta de seguridad: Condiciones no seguras	21
2.4.1 Riesgos por el deterioro y el funcionamiento incorrecto.....	21
2.4.1.1 Riesgos causados por dispositivos de seguridad inoperantes.....	21
2.4.1.2 Riesgos causados por dispositivos mecánicos deteriorados	22
2.4.2 Riesgos de los descuidos en el uso	23
2.4.2.1 Riesgos de los descuidos en el manejo: Información vital para los oper- adores (consulte también los riesgos para el operador en todo el manual).....	23
2.4.2.2 Riesgos de los descuidos en el mantenimiento y las reparaciones: In- formación vital para el personal de mantenimiento (consulte también los	

riesgos del mantenimiento y las reparaciones en todo el manual)24

ilustraciones

Ilustración 1 Diseño de la barrera de ejemplo para el sistema de lavado automatizado en el que un túnel de lavado sirve un banco de secadoras9

Ilustración 2 Diseño de barrera de ejemplo para el sistema de lavado automatizado en el que dos túneles sirven un banco de secadoras9

Ilustración 3 Riesgos electromecánicos internos: Electricidad.....14

Ilustración 4 Riesgos electromecánicos internos: Piezas móviles detrás de las protecciones y cubiertas.....14

Ilustración 5 Riesgos electromecánicos internos: Suministros y energía residual15

Ilustración 6 Riesgos electromecánicos internos: Descenso de la máquina de lavado15

Ilustración 7 Riesgos mecánicos externos: Cierre de huecos en la máquina de lavado17

Ilustración 8 Riesgos mecánicos externos: Movimiento en torno a la máquina de lavado.....17

Ilustración 9 Riesgos del tambor y el procesamiento: Cómo tomar la ropa de la máquina de lavado18

Ilustración 10 Riesgos del tambor y el procesamiento: Espacio reducido19

Ilustración 11 Riesgos del tambor y el procesamiento: Superficies calientes.....19

Ilustración 12 Riesgos del tambor y el procesamiento: Materiales explosivos o inflamables en la lavadora.....19

Liza

Lista 1 Componentes habituales del circuito trifásico13

1 Para el propietario/administrador

BNUUUS08 / 2019326

BNUUUS09 0000274902 B.2 2/11/20 3:44 PM Released

1.1 Información esencial de seguridad para el propietario/administrador

BNUUUS08.C01 0000274927 A.2 B.2 2/11/20 3:44 PM Released

Como en cualquier entorno industrial, las máquinas de lavado de una lavandería sin un mantenimiento en condiciones de seguridad pueden (como a veces hacen) mutilar al personal que entra en contacto con ellas o acabar con su vida. Las autoridades reguladoras, como la [Administración de Seguridad y Salud Ocupacional de EE. UU.](#) y la [Agencia Europea para la Seguridad y la Salud en el Trabajo de la Unión Europea](#), consideran en última instancia responsables a los propietarios o representantes designados (propietario o administrador) de mantener un entorno de trabajo seguro. La información expuesta en este documento puede ayudar al propietario o administrador a cumplir las siguientes responsabilidades:

- Reconocer los riesgos previsibles para la seguridad y protegerse de ellos.
- Asegurarse de que el equipo pueda utilizarse de forma segura para las tareas necesarias.
- Comprobar que el equipo disponga de un mantenimiento adecuado.
- Cerciorarse de que únicamente el personal autorizado y debidamente capacitado tenga acceso al equipo.
- Proporcionar la formación, indicaciones e información necesarias.
- Consultar a los empleados las cuestiones de seguridad que les preocupan.

1.1.1 Conservación del diseño de productos seguros

BNUUUS08.C02 0000274928 A.2 B.2 2/11/20 3:44 PM Released

Milnor® ha diseñado máquinas de lavado para cumplir una gran cantidad de requerimientos de seguridad. El propietario o administrador es responsable de asegurar que la maquinaria funcione de forma segura durante toda su vida útil y que, con respecto al movimiento automático de las máquinas de lavado, sus áreas de movimiento estén totalmente protegidas de acuerdo con la norma ANSI Z8.1 del Instituto Nacional Estadounidense de Estándares (consulte la siguiente sección).

1.1.2 Seguridad en el diseño de la lavandería

BNUUUS08.C03 0000274922 A.2 B.2 2/11/20 3:44 PM Released

El departamento de ingeniería de aplicaciones de Milnor® presta asistencia para el diseño de instalaciones de lavandería y aconseja qué tipo de máquina de lavado Milnor® es la más óptima para su negocio.



AVISO: La siguiente información incluye los números de los documentos de Milnor® en los que se trata el diseño de las lavanderías y la disposición de los equipos. **Toda esta documentación se encuentra disponible en la página web <https://milnor.sharefile.com/d-s8408ba617d244d98>.** En el caso de que no pueda descargar ningún documento, contacte con el departamento de repuestos de Milnor® para solicitar una copia.

Las actividades que dan lugar a un entorno laboral seguro comienzan por el diseño de las instalaciones, que deben cumplir los siguientes requisitos:

- Contar con un suelo de apoyo que sea lo suficientemente resistente y rígido como para aguantar, con un factor de seguridad razonable y sin desviaciones indebidas o cuestionables, el peso de la máquina de lavado totalmente cargada y las fuerzas que transmite durante su funcionamiento. Consulte el documento BNUUUI01.
- Disponer de espacio libre suficiente para el movimiento de la máquina de lavado. Solicite los planos de dimensiones de los modelos de máquinas de lavado Milnor® que van a instalarse.
- Incluir señales de peligro fijadas, controles, vallas y protectores de seguridad para evitar que el personal acceda a las áreas de movimiento de la máquina de lavado, tal y como se especifica en la norma ANSI Z8.1-2016. En el caso de las cintas transportadoras de Milnor® que realicen un recorrido, estén elevadas, se desplieguen, giren o se inclinen, consulte los documentos BNSUUI01 y BNSUUI02.
- Disponer de un sistema de ventilación adecuado para que el calor y los vapores puedan salir por él. Para los sistemas de secadoras Pass-Through de Milnor®, consulte el documento BNDGUI01.
- Cumplir con los estándares de seguridad locales y nacionales, en concreto, en lo que se refiere a los dispositivos externos de desconexión eléctrica de las máquinas de lavado (consulte el Código Eléctrico Nacional). Coloque en un lugar destacado la información de seguridad donde aparezca la ubicación de los dispositivos de desconexión eléctrica.

1.1.3 Propiciación de unas instalaciones de lavandería seguras

BNUUUS08.R01 0000274920 A.2 B.2 2/11/20 3:44 PM Released

La cultura de seguridad empieza desde arriba. Pellerin Milnor Corporation recomienda encarecidamente que el propietario o administrador tome las medidas que se explican a continuación para fomentar un entorno laboral seguro.

Personal — Recalque la importancia de la seguridad en todas las labores de los empleados. La seguridad es el factor primordial. Una forma de conseguirlo es mediante un programa continuo de seguridad, como los que ofrece [OSHA Education Center](#). Instruya al personal sobre la seguridad del producto y bríndele otras instrucciones que le sean aplicables. Cerciórese de que el personal entienda y respete los letreros de seguridad de las máquinas de lavado y las instrucciones de seguridad recogidas a lo largo de los manuales del producto. Pregunte periódicamente al personal si tiene alguna preocupación relacionada con la seguridad y tome medidas para subsanarlas.

Dispositivos de seguridad — Asegúrese de que nadie elimine o deje inutilizable ningún dispositivo de seguridad en una máquina de lavado o en las instalaciones. No permita que se utilice una máquina de lavado a la que le falte una puerta, panel, tapa o protector. Repare cualquier dispositivo averiado o que no funcione adecuadamente antes de permitir el uso de la máquina de lavado.

Información de seguridad — Para las máquinas de lavado Milnor[®], los letreros de seguridad colocados en la máquina son las instrucciones de seguridad más importantes, aunque no las únicas. Estos letreros alertan al personal de riesgos generales. **Asegúrese de mantener los letreros limpios y legibles. En el caso de que falte algún letrero o no esté en óptimas condiciones, reemplácelo de forma inmediata.** Consulte el manual de mantenimiento de la máquina de lavado para encontrar las referencias de los letreros de seguridad y solicitar los de sustitución al departamento de repuestos de Milnor[®]. La guía de seguridad que se suministra con la máquina de lavado y que está disponible de forma gratuita en el departamento de repuestos de Milnor[®] complementa los letreros de seguridad. En los demás manuales de máquinas de lavado se proporciona información sobre cómo evitar riesgos específicos. Por ejemplo, en el manual de mantenimiento se recoge información de seguridad propia del procedimiento. Póngase en contacto con el departamento de repuestos de Milnor[®] para obtener los manuales de las máquinas de lavado. Asegúrese de que el personal adecuado tenga acceso a la guía de seguridad y otros manuales de las máquinas de lavado.

Mantenimiento — Asegúrese de que la máquina de lavado se inspeccione y repare de acuerdo con la planificación de mantenimiento preventivo de la guía de mantenimiento y con las normas de buenas prácticas. Reemplace las piezas desgastadas, como correas, discos o pastillas de freno, rodillos y juntas, antes de que se desgasten del todo. Investigue de forma inmediata cualquier evidencia de fracaso inminente y lleve a cabo las reparaciones necesarias. Estos son algunos ejemplos:

- Cilindro, armazón o bastidor con grietas o abolladuras.
- Motores, transmisiones o cojinetes que produzcan pitidos, chirridos o humo, o cuya temperatura aumente de forma inusual.
- Juntas, mangueras o válvulas con alguna fuga.

No permita que personal no cualificado lleve a cabo el mantenimiento y el servicio.

BNSUUI01 / 2019136

BNSUUI01 0000329565 B.2 1/5/21 1:15 PM Released

1.2 Protección de proximidad para cintas transportadoras automáticas

BNSUUI01.C01 0000329590 A.2 B.2 1/5/21 1:15 PM Released

Protección de proximidad se trata de un medio para evitar que el personal acceda a la trayectoria de una máquina, por ejemplo, un robot industrial que se desplaza dentro de un área grande.

1.2.1 Aplicabilidad

BNSUUI01.C02 0000329574 A.2 B.2 1/5/21 1:15 PM Released

Este documento:

se aplica a Milnor® sistemas de lavado automatizados con cintas transportadoras que se desplazan sin la intervención de un operario (funcionamiento automático),

no se aplica a cintas que requieran la intervención continua del operario, como dirigir todos los movimientos de la cinta (funcionamiento manual).

1.2.2 Referencias para protección de proximidad

BNSUUI01.C03 0000329578 A.2 B.2 1/5/21 1:15 PM Released

ANSI Z8.1-2016 “Norma nacional estadounidense para equipos y operaciones comerciales de lavandería y limpieza en seco: requisitos de seguridad”

Norma OSHA 29 CFR § 1910.212 “Requisitos generales para todas las máquinas”

Directiva de la OSHA STD 01-12-002 - Pub. 8-1.3 “Directrices para la seguridad robótica”

ANSI/RIA R15.06-2012 “Norma nacional estadounidense para robots industriales y sistemas de robots: requisitos de seguridad”

ANSI/ASME B15.1-2000 “Norma de seguridad para aparatos mecánicos de transmisión de potencia”

Publicación de la OSHA 3067 “Conceptos y técnicas de protección de la máquina”

ISO 10472-1 “Requisitos de seguridad para maquinaria de lavandería industrial”

1.2.3 Peligros para el personal en proximidad a cintas transportadoras

BNSUUI01.C04 0000329589 A.2 B.2 1/5/21 1:15 PM Released

Milnor® posee sistemas de lavado automatizados que usan *cintas transportadoras automáticas* para transportar ropa entre las máquinas de procesamiento del sistema. Dependiendo del modelo, el sistema de transporte automático puede moverse de cualquiera de las siguientes maneras, además de hacer funcionar sus cintas transportadoras:

- Se puede desplazar a lo largo (recorrido) de una línea de máquinas (normalmente, secadoras).
- Sus plataformas transportadoras pueden ascender o descender (elevarse) en el bastidor de máquina.
- Sus plataformas transportadoras pueden extenderse o retraerse en el bastidor de máquina.

- La plataforma transportadora y el bastidor pueden girar.
- Las cintas para ropa mojada cuentan con un cubo que se eleva y se inclina.

Estos movimientos representan un peligro de golpe, aplastamiento, corte y atrapamiento para el personal que se encuentra cerca de la cinta. **Para la seguridad del personal, el propietario o los usuarios deben proporcionar protección de proximidad que proteja al personal frente al desplazamiento de la cinta.**

Un método común de protección de proximidad es la barrera de seguridad con puertas enclavadas que desactivan la cinta cuando se abre una puerta. Cuando se desactiva una cinta, esto hará que otras máquinas del sistema pasen al modo *espera* (esperando a que otra máquina se ponga en funcionamiento), pero no necesariamente hará que se detenga de inmediato. En el caso de un sistema de túneles de lavado, la prensa o el extractor centrífugo pueden representar riesgos adicionales para el personal que se encuentra cerca del equipo. **Por lo tanto, las medidas de seguridad también deben desactivar las prensas o extractores.** Los túneles y las secadoras no representan un peligro significativo para el personal simplemente porque se encuentran cerca del equipo y no necesitan desactivarse de forma automática.



ADVERTENCIA: **Múltiples riesgos** — La protección de proximidad proporciona solo protección parcial y únicamente frente a las lesiones resultantes del acceso a la trayectoria de la cinta. No se trata de un sustituto de los procedimientos adecuados de bloqueo/etiquetado y buenas prácticas de seguridad.

- ▶ Bloquee/etiquete siempre cualquier máquina individual (o siga los procedimientos de mantenimiento publicados) cuando realice tareas de mantenimiento o elimine un fallo en esa máquina.
- ▶ Asegúrese de que todo el personal entienda las garantías de seguridad y no trate de anularlas.
- ▶ Inspeccione las protecciones cada semana para asegurarse de que no sean burladas mecánicamente o eléctricamente.

1.2.4 Cómo incorpora Milnor® la protección de proximidad

BNSUU01.C05 0000329604 A.2.B.2 1/5/21 1:15 PM Released

Milnor® proporciona puntos de conexión en cintas, prensas y extractores centrífugos para interactuar con dispositivos tales como interruptores de enclavamiento de puerta. Estos puntos de conexión están etiquetados para una clara identificación. Cuando Milnor® proporciona imágenes de diseño de equipos para un sistema de lavado automatizado, indica en el dibujo el perímetro del área de desplazamiento de la cinta que debe protegerse. La siguiente indicación de peligro se muestra en las etiquetas de puntos de conexión, así como en los dibujos de diseño de equipos preparados por Milnor®:



ADVERTENCIA:



Peligros de impacto, aplastamiento, corte y atrapamiento — El personal que se encuentra cerca de maquinarias/sistemas que atraviesan, elevan, extienden, giran o se inclinan puede sufrir lesiones corporales graves o la muerte. Los siguientes requisitos mínimos de seguridad obligatorios se deben instalar con el sistema de maquinaria (los códigos locales pueden requerir precauciones adicionales):

- ▶ Barreras de seguridad que delimitan las áreas de desplazamiento de la máquina.
- ▶ Enclavamientos eléctricos bloqueables en todas las puertas, correctamente conectados, como se muestra en los esquemas de la máquina, para desactivar el movimiento de la máquina cuando se abre cualquier puerta.
- ▶ Señales para alertar al personal sobre estos riesgos, colocadas de forma visible alrededor del área cercada.

Aunque los objetivos de protección de proximidad son los mismos en cualquier lugar, los requisitos de diseño varían con los códigos locales (que ocasionalmente cambian) y con el diseño de la planta. Por esta razón, Milnor® no proporciona diseños detallados ni materiales para la protección de proximidad. Si la organización del propietario o el usuario no cuenta con el conocimiento experto necesario, consulte las fuentes apropiadas, por ejemplo, ingenieros locales o arquitectos especializados en diseño de instalaciones industriales.

1.2.5 Ejemplos de barreras de seguridad con puertas enclavadas

BNSUUI01.C06 0000329571 A.2 B.2 1/5/21 1:15 PM Released

El cercado con puertas enclavadas como las representadas en [Ilustración 1](#) y [Ilustración 2](#) se puede utilizar para cumplir el requisito de protección de proximidad. Si el propietario o usuario elige este método, la siguiente información puede ser útil. No obstante, **esta información puede no cumplir con los requisitos del código actual o local. El propietario o usuario debe determinar su idoneidad para sus instalaciones particulares.**

Ilustración 1. Diseño de la barrera de ejemplo para el sistema de lavado automatizado en el que un túnel de lavado sirve un banco de secadoras

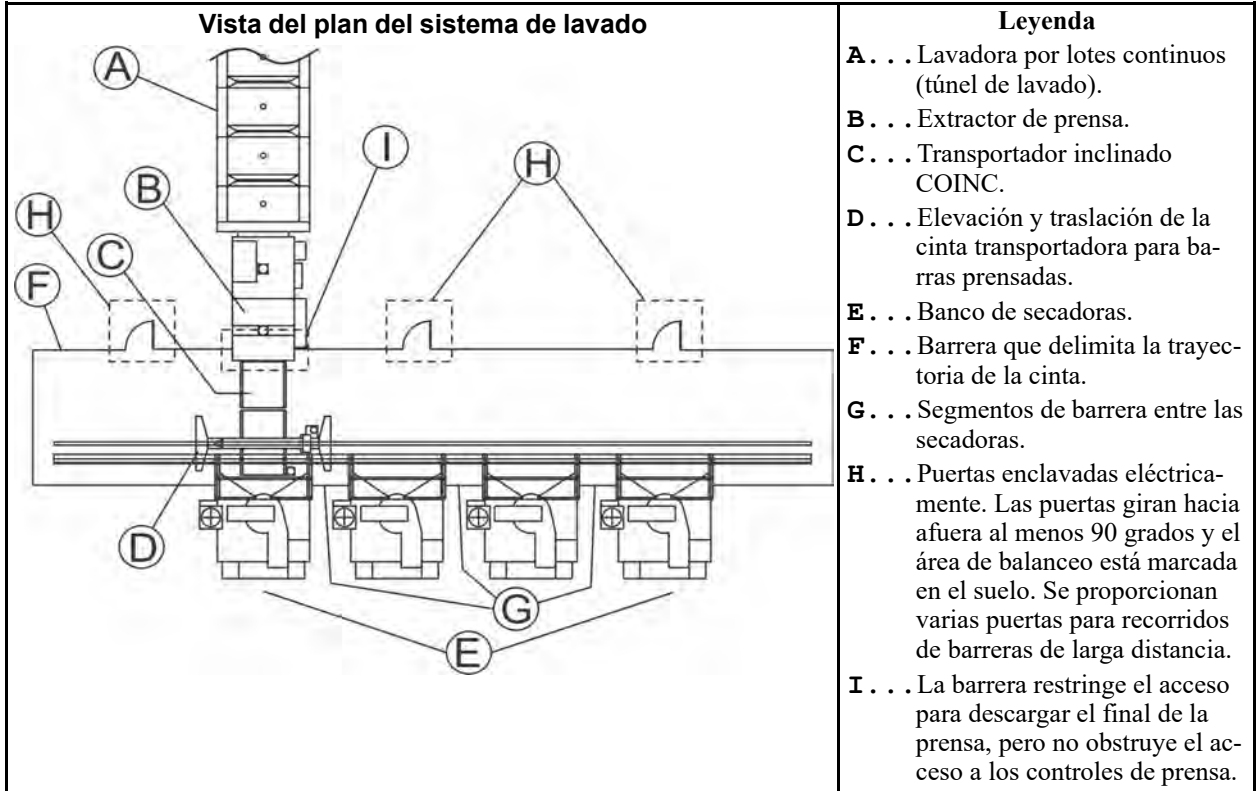
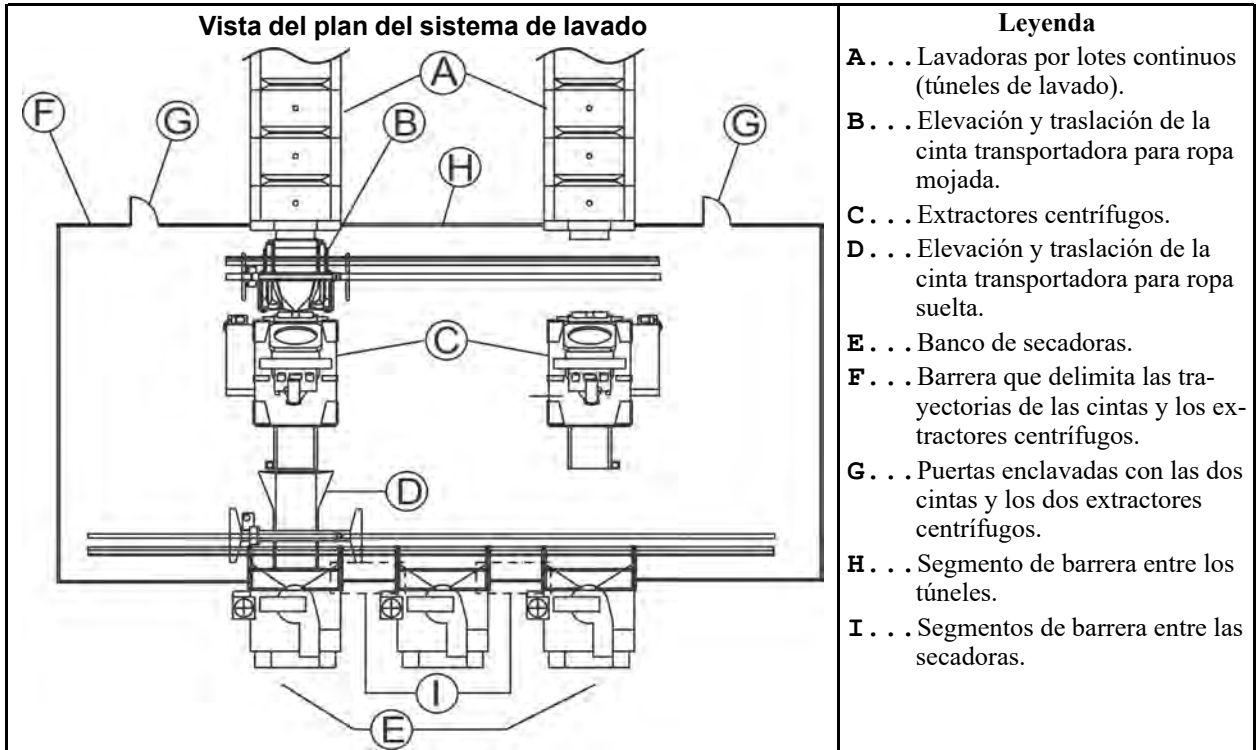


Ilustración 2. Diseño de barrera de ejemplo para el sistema de lavado automatizado en el que dos túneles sirven un banco de secadoras



1.2.5.1 Dimensiones de la barrera

BNSUUI01.C07 0000329568 A.2 B.2 1/5/21 1:15 PM Released

La barrera debe impedir que sea posible escalarla o pasar por debajo de ella.

1.2.5.2 Materiales y retroceso de la barrera

BNSUUI01.C08 0000329591 A.2 B.2 1/5/21 1:15 PM Released

La barrera debe construirse con materiales y colocarla de manera que se evite que el personal acceda a través de los espacios de la barrera y entre en contacto con la maquinaria.

1.2.5.3 Puertas

BNSUUI01.C09 0000329595 A.2 B.2 1/5/21 1:15 PM Released

Las puertas de personal deben mantenerse firmemente cerradas, pero permiten que el personal pase con facilidad cuando sea necesario. Las puertas deben estar equipadas con una disposición de enclavamiento positivo para evitar la apertura accidental. Se debe proporcionar un espacio adecuado en el suelo para permitir que la puerta se balancee al menos 90 grados cuando esté completamente abierta. Las puertas deben abrirse hacia afuera, es decir, lejos del perímetro cercado. El suelo debe estar permanentemente marcado para mostrar el área de oscilación de la puerta, a fin de evitar que obstruya su movimiento.

1.2.5.4 Circuitos de control

BNSUUI01.C10 0000329593 A.2 B.2 1/5/21 1:15 PM Released

Todas las puertas deben estar enclavadas eléctricamente con las cintas transportadoras dentro del área cercada y con las prensas o extractores centrífugos que la barrea delimita o cruza. La apertura de cualquier puerta debe tener los siguientes efectos:

1. Se detiene inmediatamente el movimiento de cintas, prensas o extractores centrífugos.
2. Suena una alarma audible.
3. Las cintas, prensas o extractores centrífugos no pueden reiniciarse simplemente cerrando las puertas, sino que deben reiniciarse en el panel de control una vez que las puertas estén cerradas.

Milnor® ofrece cintas, prensas y extractores centrífugos que proporcionan tal funcionalidad cuando se conectan correctamente con los interruptores de enclavamiento de la puerta.

1.2.5.5 Interruptores de parada de emergencia del sistema

BNSUUI01.C11 0000329587 A.2 B.2 1/5/21 1:15 PM Released

La lavandería debe establecer reglas y procedimientos que prohíban al personal permanecer dentro del área cercada con las máquinas activadas, excepto de acuerdo con los procedimientos de mantenimiento publicados. Se deben proporcionar interruptores de parada de emergencia del sistema (botones de pánico) dentro y fuera del perímetro cercado. Los interruptores de parada de emergencia deben colocarse de modo que el personal que se encuentre dentro del perímetro cercado esté a poca distancia de un interruptor, y deben estar claramente marcados en cuanto a su ubicación y función. Conecte los interruptores en serie con los enclavamientos de la puerta de manera que al presionar un interruptor de parada de emergencia realice la misma función de control que al abrir una puerta.

1.2.5.6 Aislamiento de controles de máquina individuales

BNSUUI01.C12 0000329599 A.2 B.2 1/5/21 1:15 PM Released

Los circuitos de enclavamiento para cada máquina deben estar eléctricamente aislados del de las otras máquinas. Por lo tanto, cada interruptor de enclavamiento de puerta debe proporcionar tantos pares de contactos secos como máquinas haya para interconectarse. Un par de contactos de interruptor nunca deben ser compartidos por dos o más máquinas.

1.2.5.7 Señalización recomendada

BNSUUI01.C13 0000329592 A.2 B.2 1/5/21 1:15 PM Released

Los letreros de seguridad deben colocarse a lo largo de la barrera y en cada puerta, para alertar al personal sobre los peligros que supone acceder al interior. Como mínimo, el tamaño de las letras y la distancia entre los carteles debe tener el tamaño adecuado para que cualquier persona que se plantee acceder a la zona cercada, primero, pueda ver y leer el cartel. La redacción debe proporcionarse en la lengua materna del personal de la lavandería.

BNSUUI02 / 2020505

BNSUUI02 0000329567 D.2 1/5/21 1:15 PM Released

1.3 Enclavamiento de la puerta de la barrera de seguridad para el cableado en cintas, prensas y extractores centrífugos Milnor®

BNSUUI02.C01 0000329566 A.2 D.2 B.2 1/5/21 1:15 PM Released

Este documento se utiliza junto con el documento de Milnor® W6SYSSG “Información esquemática de los sistemas Micro 6: Interruptor de la puerta de la barrera de seguridad proporcionado por el cliente”. Encontrará este documento esquemático en la guía del circuito de la máquina. En estos documentos se describe cómo conectar un interruptor de la puerta proporcionado por el cliente o una serie de interruptores a una cinta, prensa o extractor centrífugo Milnor®. En otro documento de Milnor® (BNSUUI01, “Protección de proximidad para cintas transportadoras automáticas”) se tratan los riesgos generales que suponen las barreras de seguridad.

1.3.1 Precauciones

BNSUUI02.C02 0000329601 A.2 D.2 1/5/21 1:15 PM Released



ADVERTENCIA:



etiquetada.

Riesgos de electrocución y quemaduras eléctricas — Tocar la corriente eléctrica puede causarle la muerte o lesiones graves. En el interior de los compartimentos circulará corriente eléctrica a menos que el interruptor principal de desconexión de la máquina de lavado esté apagado.

- ▶ No haga reparaciones ni mantenimiento de la máquina de lavado a menos que tenga la debida cualificación y autorización. Debe tener claros los riesgos y cómo evitarlos.
- ▶ Realice todo el trabajo con la potencia de la máquina bloqueada/



ADVERTENCIA:



Riesgos de impacto y aplastamiento — Las máquinas de lavado con desplazamiento como, por ejemplo, las lanzaderas, pueden golpearle, aplastarle o atraparle si se sube a ellas o se interpone en su recorrido. Las máquinas de lavado con desplazamiento o sus componentes pueden moverse automáticamente en cualquier dirección. Si coloca una máquina de lavado del sistema en la línea encendiendo el control de la máquina de lavado, podría poner en marcha de inmediato una lanzadera u otra máquina de lavado con desplazamiento.

- ▶ Bloquee y etiquete la corriente a la máquina de lavado con desplazamiento en el interruptor principal de desconexión de la máquina de lavado si debe trabajar en el recorrido de la máquina de lavado con desplazamiento.

1.3.2 Pautas de cableado

BNSUUI02.C03 0000329564 A.2 D.2 B.2 1/5/21 1:15 PM Released

Como se explica en el documento BNSUUI01, el interruptor de enclavamiento de la puerta debe tener un polo por máquina para permitir el bloqueo. Cada polo del interruptor se debe aislar eléctricamente de los demás polos del interruptor. El circuito de enclavamiento de la puerta de una máquina se compone de un circuito en serie que incluye un polo por interruptor (por puerta). El circuito está conectado y forma parte del *circuito trifásico* de la máquina (véase la definición siguiente).

circuito trifásico un circuito que proporciona potencia de control para todas las funciones de la máquina. Cualquier de los dispositivos de seguridad del circuito trifásico abrirá el circuito y detendrá el funcionamiento de la máquina si se detecta un fallo. Una vez abierto, el circuito trifásico solo se puede cerrar mediante intervención manual y únicamente si se rectifica la condición que abrió el circuito.

W6SYSSG representa esquemáticamente varios segmentos de circuito que el técnico puede encontrar, según el tipo y la antigüedad de la máquina. Solo una imagen coincidirá con una máquina determinada. Consultar los esquemas eléctricos de su máquina puede resultar útil. Sin embargo, debe poder identificar los componentes eléctricos pertinentes al consultar las etiquetas situadas dentro de las puertas de la caja eléctrica en su máquina. Utilizará uno de los dos métodos de cableado según el segmento de circuito de W6SYSSG que corresponda a su máquina:

1. **Terminales puenteados:** Retire el puente y conecte los dos conductores entrantes a los terminales (clavijas) donde se han quitado los puentes. El puente incluye una etiqueta de fábrica que permite identificarlo como el punto de conexión del interruptor de enclavamiento de la puerta.
2. **Circuitos que deben dividirse:** Localice los puntos de conexión correspondientes (por ejemplo, un pasador en un interruptor) en los que dividir el circuito y conectar los conductores entrantes. Es posible que sea necesario empalmar los cables para completar la conexión.

1.3.3 Prueba

BNSUUI02.C04 0000329596 A.2 D.2 1/5/21 1:15 PM Released

Una vez que se completa el cableado, es indispensable probar el sistema para asegurar de lo siguiente:

1. todos los enclavamientos de puerta funcionan correctamente y

2. todos los componentes que formaban parte del circuito trifásico de la máquina antes de que se agregaran los enclavamientos de puerta siguen funcionando correctamente. El objetivo es garantizar que el cableado adicional no omita involuntariamente los componentes existentes.

1.3.3.1 Prueba de enclavamientos de puerta

BNSUUI02.C05 0000329600 A.2 D.2 1/5/21 1:15 PM Released

1. Cierre todas las puertas.
2. Restaure la potencia de todas las máquinas enclavadas.
3. **Para cada puerta:**
 - a. Encienda todas las máquinas con enclavamiento (1) y colóquelas en el modo **Manual** (todas las máquinas paradas en el manual).
 - b. Abra la puerta y compruebe que todas las máquinas enclavadas se hayan apagado (como lo indican las alarmas del operario individual).
 - c. Cierre la puerta para que se pueda comprobar la siguiente.

1.3.3.2 Prueba de componentes del circuito trifásico en cada máquina con enclavamiento

BNSUUI02.C06 0000329585 A.2 D.2 1/5/21 1:15 PM Released

Suelen incluir los componentes indicados en [Lista 1](#).

Lista 1. Componentes habituales del circuito trifásico

Componente	Localización		
	Cinta	Prensa	Extractor centrífugo
Botón de parada (0) en el panel de control	✓	✓	✓
Interruptores de parada de emergencia (botón de bloqueo)	✓	✓	✓
Puerta de acceso con elevación manual (normalmente, dos por máquina)		✓	
Panel de acceso con retirada manual (normalmente, dos por máquina)			✓
Cable tractor (algunas cintas)	✓		
Placa de protección (normalmente, dos por máquina)	✓		

Pruebe cada máquina enclavada de la siguiente manera:

1. Arranque la máquina y colóquela en el modo **Manual** (máquina parada en modo manual).
2. Para cada uno de los componentes del circuito trifásico en la máquina, realice lo siguiente:
 - a. Accione el componente (por ejemplo, presione el botón de parada) y compruebe que la máquina se apaga (como lo indica la alarma del operario).
 - b. En caso necesario, desactive el componente. Por ejemplo, apague el interruptor de parada de emergencia o cierre una puerta de acceso, para poder probar el siguiente componente.

2 Para todos los usuarios

BNWHTS01 / 2019195

BNWHTS01

0000332088

1/7/21 2:15 PM

Released

2.1 Riesgos electromecánicos internos

BNWHTS01.C01 0000332083 A.2 1/7/21 2:15 PM Released

2.1.1 Placas de seguridad: Riesgos electromecánicos internos

BNWHTS01.C02 0000332082 A.2 1/7/21 2:15 PM Released

La máquina de lavado presenta al menos una placa de seguridad, parecida a la que se muestra a continuación, para alertar al personal de los riesgos en el interior de la máquina de lavado y en los receptáculos eléctricos.

Ilustración 3. Riesgos electromecánicos internos: Electricidad

⚠ ADVERTENCIA		⚠ WARNING
<p>Riesgo eléctrico adentro.</p> <p>Puede causar la muerte o lesiones graves.</p> <p>Apagar bloquear/identificar con rótulos toda la corriente eléctrica antes de abrir.</p>		<p>Electrical hazard inside.</p> <p>Can cause death or serious injury.</p> <p>Turn off and lockout/tagout all electrical power before opening.</p>

Ilustración 4. Riesgos electromecánicos internos: Piezas móviles detrás de las protecciones y cubiertas



⚠ ADVERTENCIA		⚠ WARNING
<p>Riesgo de piezas móviles.</p> <p>Pueden causar lesiones graves.</p> <p>No operar sin que todas las defensas y cubiertas estén en su lugar.</p> <p>No poner las manos o dedos adentro de las defensas o cubiertas.</p>	<p>Moving parts hazard.</p> <p>Can cause serious injury.</p> <p>Do not operate unless all guards and covers are in place.</p> <p>Do not put hands/fingers beyond guard/cover.</p>	

Ilustración 5. Riesgos electromecánicos internos: Suministros y energía residual

⚠ ADVERTENCIA		⚠ WARNING
<p>Para evitar lesiones graves antes de dar servicio o limpiar:</p> <ul style="list-style-type: none">● Desconectar todos los servicios como aire, vapor, gas y electricidad.● Descargar cualquier aire residual.● Permitir que enfríen las piezas calientes.		<p>To prevent serious injury, before servicing or cleaning:</p> <ul style="list-style-type: none">● Disconnect all utilities such as air, steam, gas, and electricity.● Release any residual air.● Allow heated parts to cool.

Ilustración 6. Riesgos electromecánicos internos: Descenso de la máquina de lavado

⚠ ADVERTENCIA		⚠ WARNING
<p>Riesgo de aplastamiento.</p> <p>La máquina puede bajar repentinamente cuando la energía está ENCENDIDA o APAGADA y causar lesiones graves o la muerte.</p> <p>No colocar ninguna parte del cuerpo abajo de la máquina sin primero asegurar los soportes de seguridad y bloquear/identificar con rótulos la máquina.</p>		<p>Crush hazard.</p> <p>Machine can lower suddenly with power ON or OFF and cause serious injury or death.</p> <p>Do not put any part of your body under machine unless you first secure safety supports and lockout/tagout machine.</p>

2.1.2 Mensajes de alerta de seguridad: Riesgos electromecánicos internos

BNWHTS01.C03 0000332071 A.2 B.2 1/7/21 2:15 PM Released

Las siguientes instrucciones se refieren a los riesgos en el interior de la máquina de lavado y de las cajas de conexiones eléctricas.



ADVERTENCIA:



Riesgos de electrocución y quemaduras eléctricas — Tocar la corriente eléctrica puede causarle la muerte o lesiones graves. En el interior de los compartimentos circulará corriente eléctrica a menos que el interruptor principal de desconexión de la máquina de lavado esté apagado.

- ▶ No desbloquee ni abra las puertas de cuadro eléctrico.
- ▶ No retire las protecciones, las cubiertas ni los paneles.
- ▶ No meta la mano dentro de la carcasa o el bastidor de la máquina de lavado.
- ▶ Manténgase y mantenga a los demás alejados de la máquina de lavado.
- ▶ Debe saber dónde se encuentra el interruptor principal de desconexión de la máquina de lavado y usarlo en caso de emergencia para cortar todo el suministro eléctrico a la máquina de lavado.



ADVERTENCIA:



Riesgos de enganchamiento y aplastamiento — Tocar los componentes en movimiento que suelen quedar aislados por las protecciones, las cubiertas y los paneles puede aplastar sus extremidades o hacer que estas se queden enganchadas. Estos componentes se mueven automáticamente.

- ▶ No retire las protecciones, las cubiertas ni los paneles.
- ▶ No meta la mano dentro de la carcasa o el bastidor de la máquina de lavado.
- ▶ Manténgase y mantenga a los demás alejados de la máquina de lavado.
- ▶ Debe saber dónde se encuentran todos los interruptores de parada de emergencia, cables tractores y/o placas de protección, y utilizarlos en caso de emergencia para detener el movimiento de la máquina de lavado.



ADVERTENCIA:



Riesgos de aplastamiento — Solo en el caso de las máquinas de lavado basculantes: La carcasa de la máquina de lavado le aplastará el cuerpo o las extremidades si desciende o cae y usted se encuentra debajo. La carcasa puede descender con el sistema encendido o apagado. Manejar manualmente las válvulas de basculación anula los enclavamientos de seguridad. Manejar indebidamente las válvulas de basculación manuales puede hacer que la carcasa descienda.

- ▶ No retire las protecciones, las cubiertas ni los paneles.
- ▶ No meta la mano dentro de la carcasa o el bastidor de la máquina de lavado.

BNWHTS02 / 2019195

BNWHTS02

0000332090

1/7/21 2:15 PM

Released

2.2 Riesgos mecánicos externos

BNWHTS02.C01 0000332080 A.2 1/7/21 2:15 PM Released

2.2.1 Placas de seguridad: Riesgos mecánicos externos


BNWHTS02.C02 0000332091 A.2 1/7/21 2:15 PM Released

La máquina de lavado presenta al menos una placa de seguridad, parecida a la que se muestra a continuación, para alertar al personal de los riesgos en torno a la parte frontal, los laterales, la parte trasera o la superior de la máquina de lavado.

Ilustración 7. Riesgos mecánicos externos: Cierre de huecos en la máquina de lavado

⚠ ADVERTENCIA		⚠ WARNING
<p>Riesgo de aplastamiento.</p> <p>El armazón de la máquina se mueve durante el funcionamiento.</p> <p>Mantenga alejadas las manos y dedos de los espacios libres alrededor de la máquina.</p>		<p>Crush hazard.</p> <p>Machine shell moves during operation.</p> <p>Keep hands and fingers away from gaps around machine.</p>

Ilustración 8. Riesgos mecánicos externos: Movimiento en torno a la máquina de lavado

⚠ ADVERTENCIA		⚠ WARNING
<p>Riesgos de lesiones personales.</p> <p>Cuando esté funcionando la máquina, el movimiento de la máquina, puerta y/o cilindro pueden causar lesiones graves o la muerte al demás personal.</p> <p>Asegúrese que todo el personal está a una distancia segura, alejado de la máquina.</p>		<p>Bodily injury hazards.</p> <p>When operating machine, movement of machine, door, and/or cylinder may cause serious injury or death to other personnel.</p> <p>Be sure all personnel are safely away from machine.</p>

2.2.2 Mensajes de alerta de seguridad: Riesgos mecánicos externos

BNWHTS02.C03 0000332074 A.2 1/7/21 2:15 PM Released

Las siguientes instrucciones se refieren a los riesgos en torno a la parte delantera, los laterales, la parte trasera o la superior de la máquina de lavado.



ADVERTENCIA:

Riesgos de impacto y aplastamiento — Máquinas de lavado con puerta accionada eléctricamente: La puerta en movimiento puede golpearle o aplastar/pinzar sus extremidades si se le quedan atrapadas entre la puerta y la máquina de lavado. Algunas puertas se abren y se cierran automáticamente.



- ▶ Manténgase y mantenga a los demás alejados de las zonas y rutas de circulación.
- ▶ Sujete los controles con ambas manos durante la operación.
- ▶ No maneje la máquina de lavado con controles manuales que requieran el uso de las dos manos y que funcionen incorrectamente.



ADVERTENCIA:



Riesgos de aplastamiento — Solo en el caso de las máquinas de lavado basculantes: La máquina de lavado puede aplastar su cuerpo o sus extremidades si estos se le quedan atrapados entre la cubierta basculante y el objeto fijo. Algunas máquinas de lavado basculan automáticamente.

- ▶ Manténgase y mantenga a los demás alejados de las zonas y rutas de circulación.
- ▶ Sujete los controles con ambas manos durante la operación.
- ▶ No maneje la máquina de lavado con controles manuales que requieran el uso de las dos manos y que funcionen incorrectamente.



ADVERTENCIA:



Riesgos de aplastamiento — Solo en el caso de las máquinas de lavado suspendidas: Los espacios entre el armazón y la carcasa pueden cerrarse y aplastar o pinzar las extremidades. El armazón se mueve dentro de la carcasa durante el funcionamiento.

- ▶ No meta la mano dentro de la carcasa o el bastidor de la máquina de lavado.
- ▶ Manténgase y mantenga a los demás alejados de las zonas y rutas de circulación.

BNWHTS03 / 2019195 BNWHTS03 0000332079 1/7/21 2:15 PM Released

2.3 Riesgos del tambor y el procesamiento

BNWHTS03.C01 0000332087 A.2 1/7/21 2:15 PM Released

2.3.1 Placas de seguridad: Riesgos del tambor y el procesamiento

BNWHTS03.C02 0000332077 A.2 1/7/21 2:15 PM Released

La máquina de lavado presenta al menos una placa de seguridad, parecida a la que se muestra a continuación, para alertar al personal de los riesgos relacionados con el tambor y el proceso de lavado.

Ilustración 9. Riesgos del tambor y el procesamiento: Cómo tomar la ropa de la máquina de lavado

ADVERTENCIA		DANGER
<p>Riesgo de amputación.</p> <p>El cilindro giratorio puede torcer y arrancar los brazos.</p> <p>Nunca trate de alcanzar o tirar del material dentro de un cilindro cuando este girando.</p>		<p>Amputation hazard.</p> <p>Turning cylinder can twist off arms.</p> <p>Never reach into or pull linen from a turning cylinder.</p>

Ilustración 10. Riesgos del tambor y el procesamiento: Espacio reducido

⚠ ADVERTENCIA		⚠ WARNING
<p>Riesgos de espacios restringidos.</p> <p>El encierro en un cilindro puede resultar en lesiones graves o la muerte.</p> <p>No entre en los cilindros, a no ser que sea necesario dar servicio o limpieza.</p> <p>Lea las instrucciones de seguridad en el manual antes de entrar en el cilindro.</p>		<p>Confined space hazards.</p> <p>Confinement in cylinder could result in serious injury or death.</p> <p>Do not climb into cylinder unless servicing or cleaning is necessary.</p> <p>Read safety instructions in manual before entering cylinder.</p>

Ilustración 11. Riesgos del tambor y el procesamiento: Superficies calientes

⚠ ADVERTENCIA		⚠ WARNING
<p>Riesgo de quemadura.</p> <p>El contacto puede causar lesiones graves.</p> <p>No tocar.</p>		<p>Burn hazard.</p> <p>Contact can cause serious injury.</p> <p>Do not touch.</p>

Ilustración 12. Riesgos del tambor y el procesamiento: Materiales explosivos o inflamables en la lavadora

⚠ ADVERTENCIA		⚠ WARNING
<p>Riesgo de explosión e incendio.</p> <p>La máquina en funcionamiento puede encender solventes o vapores inflamables.</p> <p>No procese materiales que contengan sustancias inflamables.</p>		<p>Explosion and fire hazards.</p> <p>Operating machine can ignite flammable solvents or vapors.</p> <p>Do not process goods containing flammable substances.</p>

2.3.2 Mensajes de alerta de seguridad: Riesgos del tambor y el procesamiento

BNWHTS03.C03 0000332084 A.2 1/7/21 2:15 PM Released

Las siguientes instrucciones se refieren a los riesgos relativos al tambor y al proceso de lavado.



PELIGRO: Riesgos de enganchamiento y amputación — Tocar la ropa durante su procesamiento puede hacer que esta se enrede en torno a su cuerpo o extremidades y le desmiembre. Normalmente, la ropa queda aislada del exterior por la puerta cerrada del tambor.



- ▶ No intente abrir la puerta ni meter la mano dentro del tambor hasta que este se haya detenido.

- ▶ No toque la ropa que se encuentre dentro del tambor o que cuelgue parcialmente de este.
- ▶ No maneje la máquina de lavado si el enclavamiento de la puerta funciona incorrectamente.
- ▶ Solo en el caso de las máquinas de lavado con compartimento abierto: Absténgase de sacudir tambor y tirar de la ropa al mismo tiempo.
- ▶ Solo en el caso de las máquinas de lavado con tambor compartimento abierto: Manténgase y mantenga a los demás alejados del tambor y la ropa durante la operación de sacudida.
- ▶ No maneje la máquina de lavado con controles manuales que requieran el uso de las dos manos y que funcionen incorrectamente.
- ▶ Debe saber dónde se encuentran todos los interruptores de parada de emergencia, cables tractores y/o placas de protección, y utilizarlos en caso de emergencia para detener el movimiento de la máquina de lavado.
- ▶ Debe saber dónde se encuentra el interruptor principal de desconexión de la máquina de lavado y usarlo en caso de emergencia para cortar todo el suministro eléctrico a la máquina de lavado.



ADVERTENCIA: Riesgos de aplastamiento — Tocar el tambor en marcha puede aplastarle las extremidades. El tambor repelerá cualquier objeto con el que trate de detenerlo, lo cual podría hacer que dicho objeto le golpeará o se le clavara. El tambor en marcha suele estar aislado por la puerta cerrada del tambor.



- ▶ No intente abrir la puerta ni meter la mano dentro del tambor hasta que este se haya detenido.
- ▶ No meta ningún objeto en el tambor cuando este esté girando.
- ▶ No maneje la máquina de lavado si el enclavamiento de la puerta funciona incorrectamente.
- ▶ Solo en el caso de las máquinas de lavado con tambor compartimento abierto: Manténgase y mantenga a los demás alejados del tambor y la ropa durante la operación de sacudida.
- ▶ No maneje la máquina de lavado con controles manuales que requieran el uso de las dos manos y que funcionen incorrectamente.



ADVERTENCIA:



Riesgos por espacio reducido — Encerrarse dentro del tambor puede provocar la muerte o lesiones. Entre los posibles riesgos se incluyen ataques de pánico, quemaduras, envenenamiento, ahogamiento, postración térmica, contaminación biológica, electrocución y aplastamiento.

- ▶ No intente efectuar tareas de mantenimiento, reparación o modificación sin la debida autorización.



ADVERTENCIA:



Riesgos de explosión e incendio — Las sustancias inflamables pueden explotar o prenderse dentro del tambor, el canal de desagüe o el sumidero. La máquina de lavado está diseñada para lavar con agua, no con ningún otro disolvente. El procesamiento puede hacer que la ropa que contiene disolventes desprenda vapores inflamables.

- ▶ No utilice disolventes inflamables en el procesamiento.
- ▶ Absténgase de procesar ropa que contenga sustancias inflamables. Consulte al departamento de bomberos o al de las fuerzas de seguridad de su zona y a todas sus aseguradoras.

BNWHTS04 / 2019195

BNWHTS04

0000332078

1/7/21 2:15 PM

Released

2.4 Mensajes de alerta de seguridad: Condiciones no seguras

BNWHTS04.C01 0000332085 A.2 1/7/21 2:15 PM Released

2.4.1 Riesgos por el deterioro y el funcionamiento incorrecto

BNWHTS04.C02 0000332086 A.2 1/7/21 2:15 PM Released

2.4.1.1 Riesgos causados por dispositivos de seguridad inoperantes

BNWHTS04.C03 0000332076 A.2 1/7/21 2:15 PM Released



PELIGRO:



Riesgos de enganchamiento y amputación — Enclavamiento de la puerta del tambor: Manejar la máquina de lavado con un enclavamiento de la puerta que funcione incorrectamente puede dar pie a que esta se abra cuando el tambor esté girando y/o iniciando el ciclo con la puerta abierta, lo cual dejaría al descubierto el tambor mientras gira.

- ▶ No maneje la máquina de lavado si presenta cualquier indicio de estar deteriorada o funcionar incorrectamente.



ADVERTENCIA:

Múltiples riesgos — Manejar la máquina de lavado con un equipo de protección inoperante puede provocar la muerte o lesiones al personal, deteriorar o destruir la máquina de lavado, provocar daños materiales y/o anular la garantía.

- ▶ Absténgase de manipular o desactivar cualquiera de los dispositivos de seguridad o de manejar la máquina de lavado con algún dispositivo de seguridad que no funcione correctamente. Solicite asistencia técnica autorizada.



ADVERTENCIA:

Riesgos de electrocución y quemaduras eléctricas — Puertas de la caja eléctrica: Manejar la máquina de lavado con cualquiera de las puertas del cuadro eléctrico desbloqueadas puede dejar al descubierto los conductores de alta tensión de su interior.



- ▶ No desbloquee ni abra las puertas de cuadro eléctrico.



ADVERTENCIA:

Riesgos de enganchamiento y aplastamiento — Protecciones, cubiertas y paneles: Manejar la máquina de lavado con cualquiera de las protecciones, cubiertas o paneles desmontados deja al descubierto componentes en movimiento.



- ▶ No retire las protecciones, las cubiertas ni los paneles.



ADVERTENCIA:

Riesgos de aplastamiento — Conmutadores de límite inferior (máquinas de lavado con tambores inclinados frontales y laterales): Si fallan los dos conmutadores frontales o los dos traseros, las ruedas de basculación asentadas de una máquina de lavado inclinada podrían levantarse de sus bases.

La carcasa caerá y se precipitará hacia adelante o hacia atrás.

- ▶ No maneje la máquina de lavado si presenta cualquier indicio de estar deteriorada o funcionar incorrectamente.

2.4.1.2 Riesgos causados por dispositivos mecánicos deteriorados

BNWHTS04.C04 0000332081 A.2 1/7/21 2:15 PM Released



ADVERTENCIA:

Múltiples riesgos — Manejar una máquina de lavado deteriorada puede provocar la muerte o lesiones al personal, deteriorar o destruir la máquina de lavado, provocar daños materiales y/o anular la garantía.

- ▶ No maneje nunca ninguna máquina de lavado deteriorada o que funcione incorrectamente. Solicite asistencia técnica autorizada.



ADVERTENCIA:

Riesgos de explosión — Tambor: Un tambor deteriorado puede romperse en pedazos durante el centrifugado, lo cual perforaría el armazón y proyectaría fragmentos metálicos a gran velocidad.



- ▶ No maneje la máquina de lavado si presenta cualquier indicio de estar deteriorada o funcionar incorrectamente.

**ADVERTENCIA:**

Riesgos de explosión — Embrague y conmutador de velocidad (máquinas de lavado de varios motores): Si el embrague o el interruptor de velocidad están deteriorados, el motor de baja velocidad puede ponerse en marcha durante la fase de extracción. Esto hará que el motor y las poleas se aceleren más de la cuenta, lo cual puede hacer que se rompan en pedazos y proyecten fragmentos metálicos a gran velocidad.

- ▶ Detenga la máquina de lavado inmediatamente si se da cualquiera de las condiciones siguientes:
 - Suena un chirrido anómalo durante la fase de extracción.
 - Suena un ruido de fricción al final de la fase de extracción.

Los embragues permanecen activos o se vuelven a activar durante la fase de extracción.

2.4.2 Riesgos de los descuidos en el uso

BNWHTS04.C05 0000332072 A.2 1/7/21 2:15 PM Released

2.4.2.1 Riesgos de los descuidos en el manejo: Información vital para los operadores (consulte también los riesgos para el operador en todo el manual)

BNWHTS04.C06 0000332089 A.2 1/7/21 2:15 PM Released

**ADVERTENCIA:**

Múltiples riesgos — Si el operador actúa de forma descuidada, puede provocar la muerte o lesiones al personal, deteriorar o destruir la máquina de lavado, provocar daños materiales y/o anular la garantía.

- ▶ Absténgase de manipular o desactivar cualquiera de los dispositivos de seguridad o de manejar la máquina de lavado con algún dispositivo de seguridad que no funcione correctamente. Solicite asistencia técnica autorizada.
- ▶ No maneje nunca ninguna máquina de lavado deteriorada o que funcione incorrectamente. Solicite asistencia técnica autorizada.
- ▶ No intente efectuar tareas de mantenimiento, reparación o modificación sin la debida autorización.
- ▶ No utilice la máquina de lavado de ningún modo que contradiga las instrucciones de fábrica.
- ▶ Utilice la máquina de lavado solo para los fines habituales y previstos.
- ▶ Debe saber cuáles son las consecuencias del funcionamiento manual.

2.4.2.2 Riesgos de los descuidos en el mantenimiento y las reparaciones: Información vital para el personal de mantenimiento (consulte también los riesgos del mantenimiento y las reparaciones en todo el manual)

BNWHTS04.C07 0000332073 A.2 1/7/21 2:15 PM Released



ADVERTENCIA:



Riesgos de electrocución y quemaduras eléctricas — Tocar la corriente eléctrica puede causarle la muerte o lesiones graves. En el interior de los compartimentos circulará corriente eléctrica a menos que el interruptor principal de desconexión de la máquina de lavado esté apagado.

- ▶ No haga reparaciones ni mantenimiento de la máquina de lavado a menos que tenga la debida cualificación y autorización. Debe tener claros los riesgos y cómo evitarlos.
- ▶ Cumpla con la actual norma de bloqueo y etiquetado de la OSHA cuando las instrucciones de servicio técnico conminen a efectuar un procedimiento de bloqueo/etiquetado. Fuera de EE. UU., siga la norma de la OSHA cuando no haya ninguna otra norma prevalente.



ADVERTENCIA:



Riesgos de enganchamiento y aplastamiento — Tocar los componentes en movimiento que suelen quedar aislados por las protecciones, las cubiertas y los paneles puede aplastar sus extremidades o hacer que estas se queden enganchadas. Estos componentes se mueven automáticamente.

- ▶ No haga reparaciones ni mantenimiento de la máquina de lavado a menos que tenga la debida cualificación y autorización. Debe tener claros los riesgos y cómo evitarlos.
- ▶ Cumpla con la actual norma de bloqueo y etiquetado de la OSHA cuando las instrucciones de servicio técnico conminen a efectuar un procedimiento de bloqueo/etiquetado. Fuera de EE. UU., siga la norma de la OSHA cuando no haya ninguna otra norma prevalente.



ADVERTENCIA:



Riesgos de aplastamiento — Solo en el caso de las máquinas de lavado basculantes: La carcasa de la máquina de lavado le aplastará el cuerpo o las extremidades si desciende o cae y usted se encuentra debajo. La carcasa puede descender con el sistema encendido o apagado. Manejar manualmente las válvulas de basculación anula los enclavamientos de seguridad. Manejar indebidamente las válvulas de basculación manuales puede hacer que la carcasa descienda.

- ▶ Fije ambas sujeciones de seguridad de color rojo conforme a las instrucciones proporcionadas y, luego, bloquee y etiquete la corriente en el interruptor principal de desconexión de la máquina de lavado antes de trabajar debajo de esta si está inclinada.
- ▶ No maneje las válvulas de basculación manuales cuando haya alguien debajo de la máquina de lavado.
- ▶ No maneje los controles de basculación cuando haya alguien debajo de la máquina de lavado.



ADVERTENCIA:

Riesgos de aplastamiento — Máquinas de lavado basculantes con tambores inclinados frontales y traseros: La carcasa caerá y se precipitará hacia adelante o hacia atrás si las ruedas de basculación en el extremo no inclinado se elevan de sus bases, incluso con sujeciones de seguridad instaladas.

- ▶ Debe saber cuáles son las consecuencias del funcionamiento manual.



ADVERTENCIA:

Riesgos por espacio reducido — Encerrarse dentro del tambor puede provocar la muerte o lesiones. Entre los posibles riesgos se incluyen ataques de pánico, quemaduras, envenenamiento, ahogamiento, postración térmica, contaminación biológica, electrocución y aplastamiento.



- ▶ No entre en el tambor hasta que este se haya purgado, lavado, secado, enfriado e inmovilizado concienzudamente.