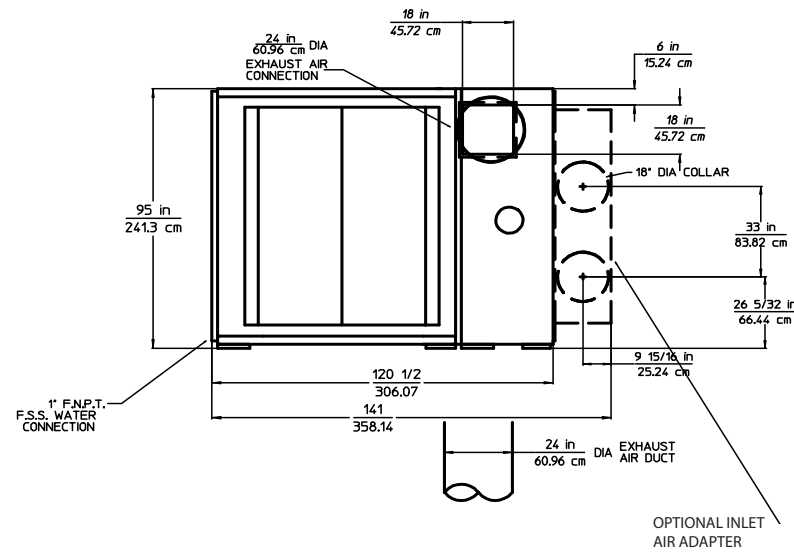


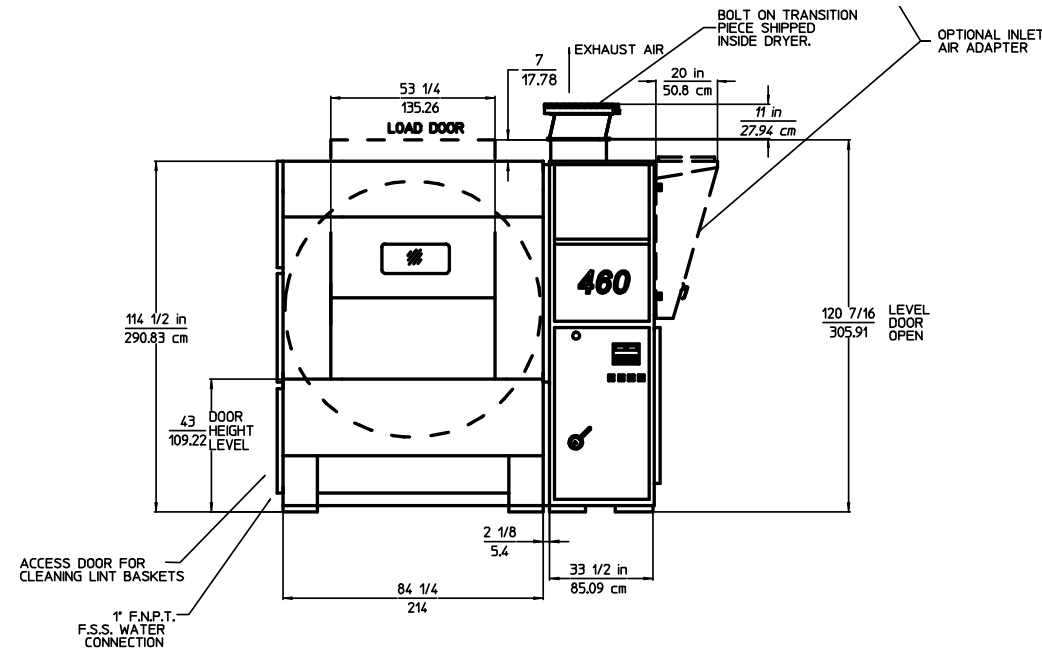
**460 TILTING  
1 DOOR/FORWARD TILT  
GAS MODEL**

\*DUCTWORK MUST BE A MINIMUM OF 24" DIAMETER (60.96 cm).  
DUCTWORK SIZE VARIES WITH INSTALLATION CONDITIONS.

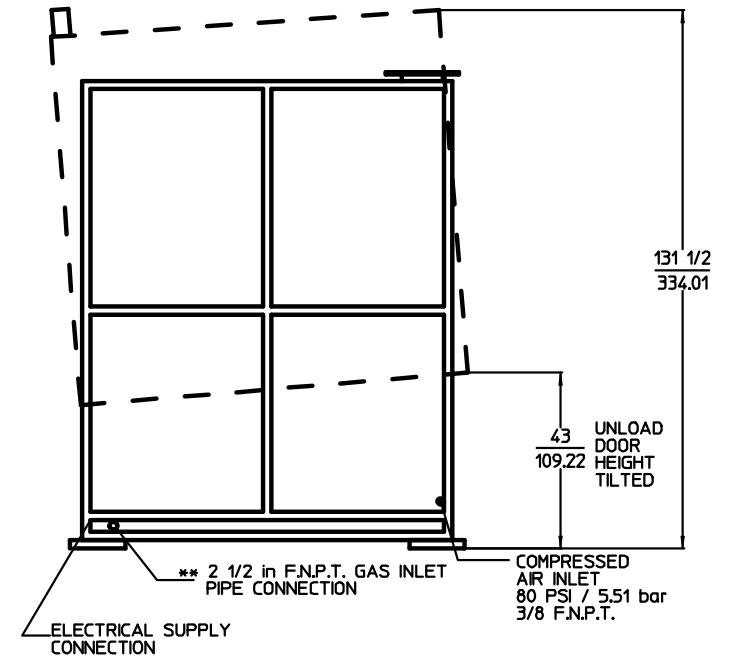
\*\* SIZE OF PIPING TO DRYER VARIES WITH INSTALLA  
CONTACT FACTORY FOR ASSISTANCE.



TOP VIEW



FRONT VIEW

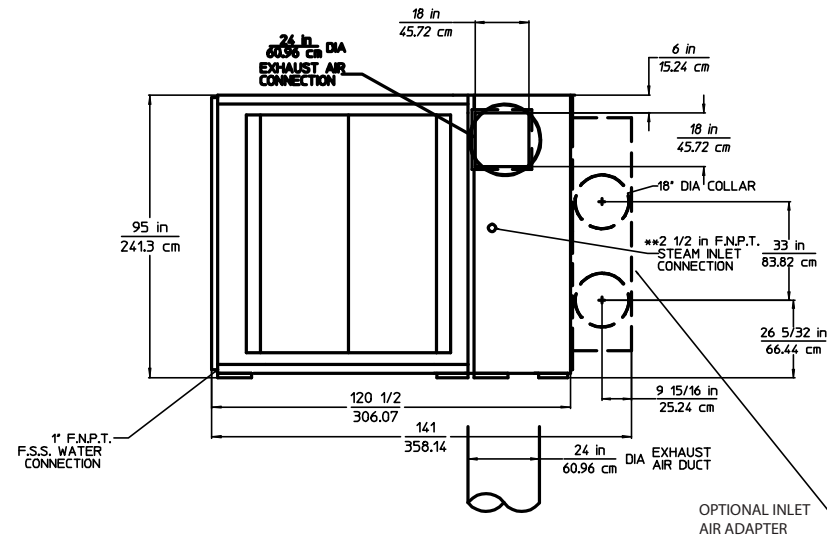


SIDE VIEW

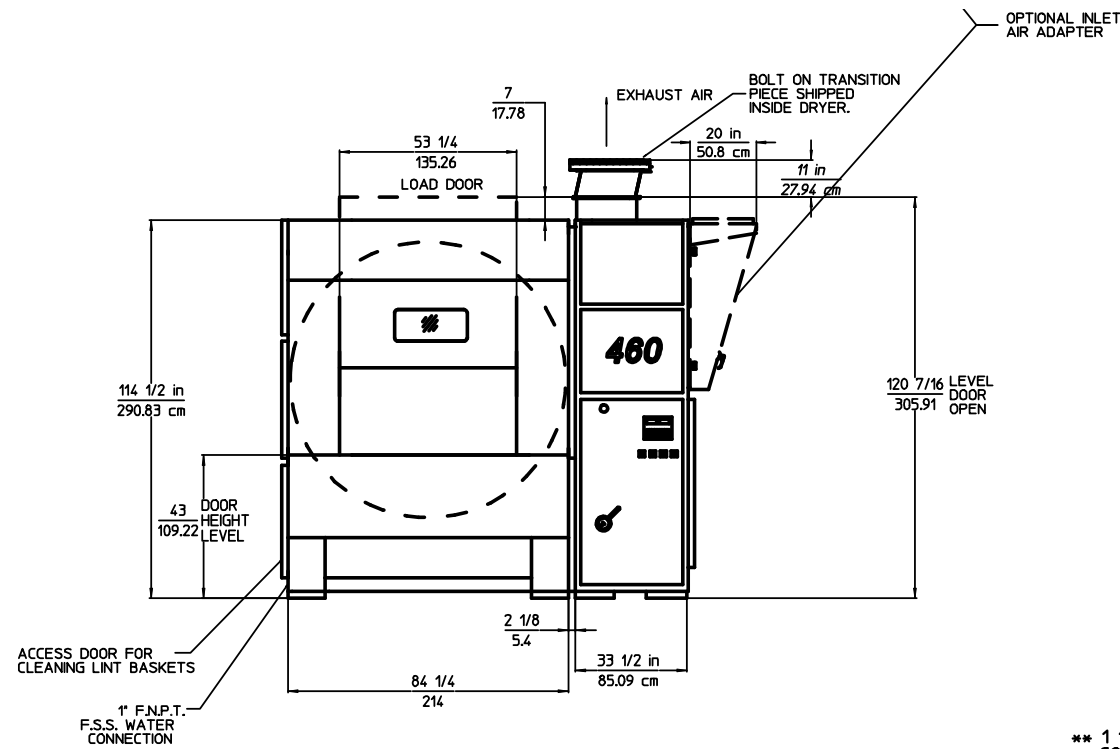
**460 TILTING  
1 DOOR/FORWARD TILT  
STEAM MODEL**

\*DUCTWORK MUST BE A MINIMUM OF 24" DIAMETER (60.96 cm).  
DUCTWORK SIZE VARIES WITH INSTALLATION CONDITIONS.

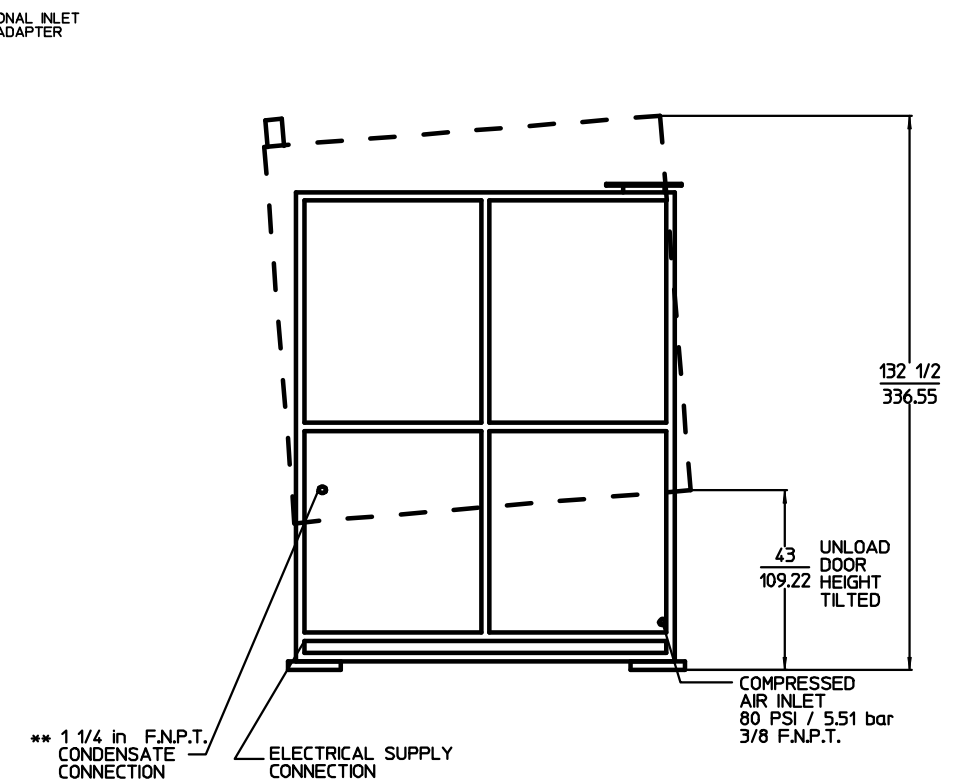
\*\* SIZE OF PIPING TO DRYER VARIES WITH INSTALLA  
CONTACT FACTORY FOR ASSISTANCE.



TOP VIEW



FRONT VIEW



SIDE VIEW