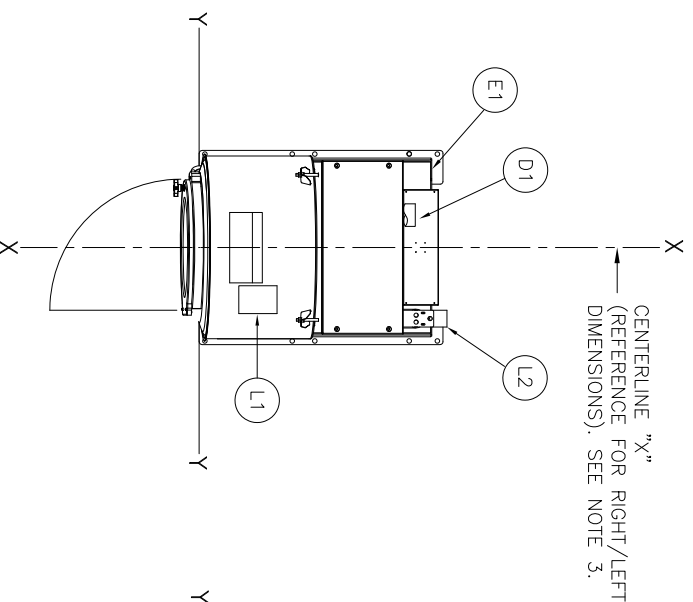
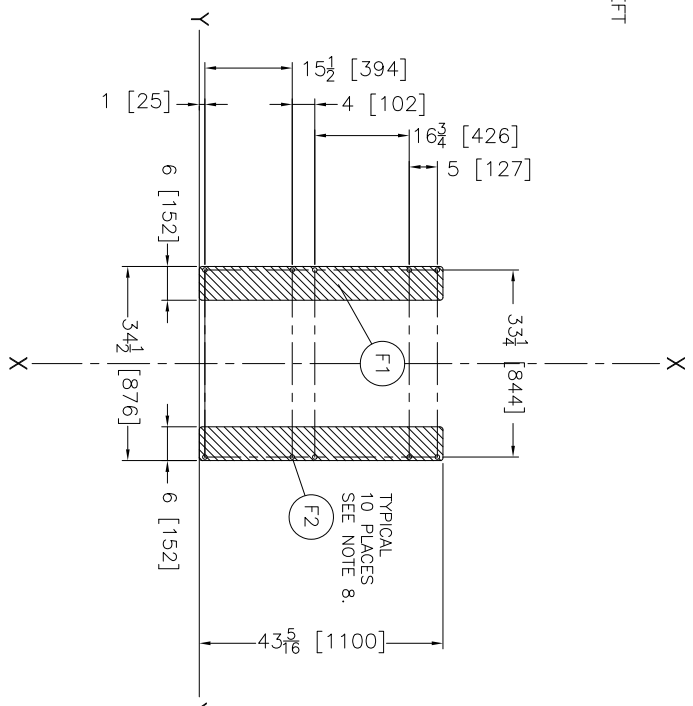


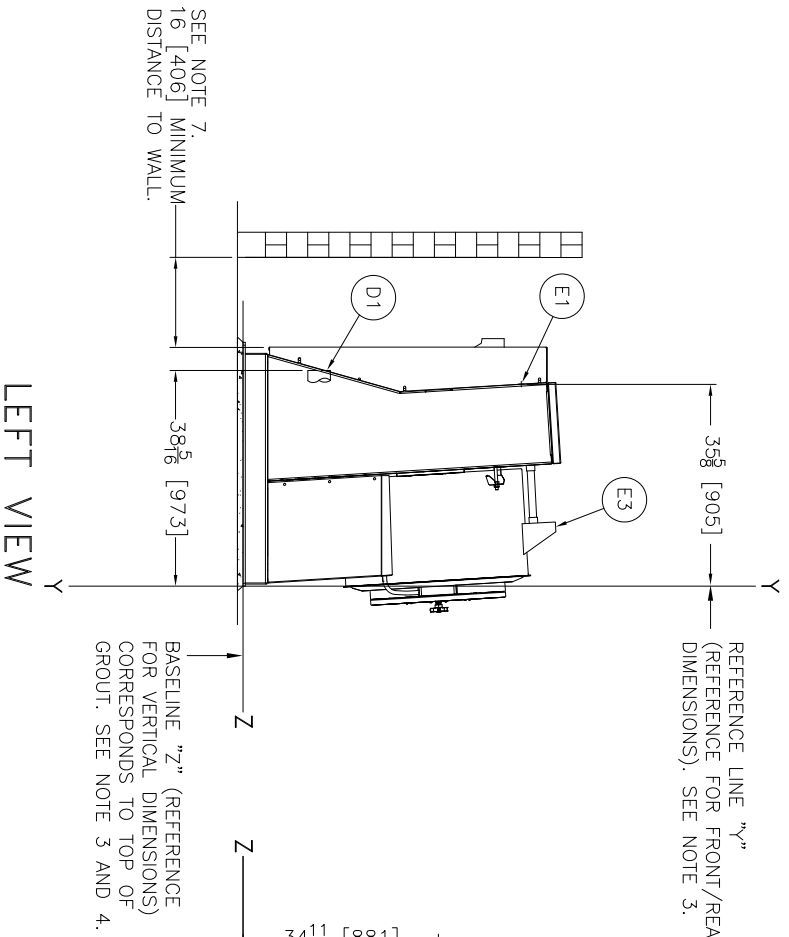
REAR VIEW



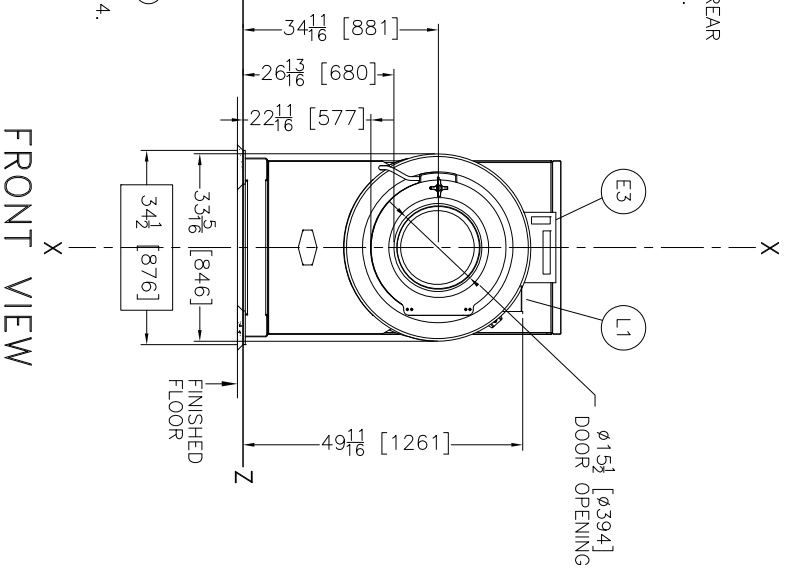
PLAN VIEW



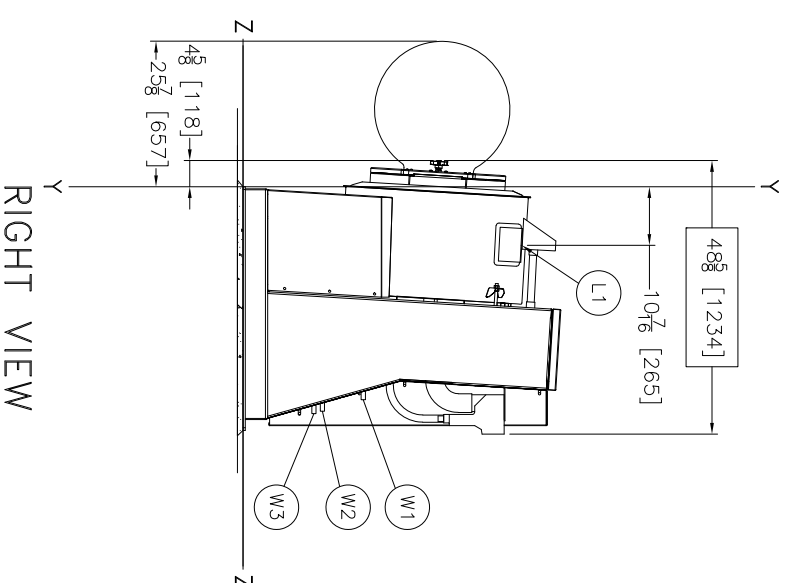
FOUNDATION VIEW



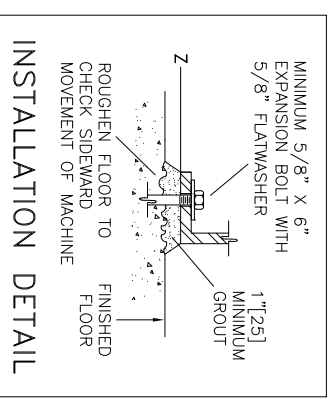
LEFT VIEW



FRONT VIEW



RIGHT VIEW



W3	COLD WATER INLET, STANDARD FLOW, 3/4" GARDEN HOSE
W2	MALE THREAD
W1	HOT WATER INLET, STANDARD FLOW, 3/4" GARDEN HOSE
L2	LIQUID SUPPLY INLETS, SEE NOTE 10.
L1	SOAP CHUTE
F2	(10) 13/16" DIAMETER ANCHOR BOLTS HOLES, USE 5/8" X 6" BOLTS MINIMUM.
F1	FOUNDATION BASE PADS, 2 PLACES.
E3	E-P EXPRESS@CONTROL
E2	CHEMICAL SUPPLY CONNECTIONS
E1	ELECTRICAL CONNECTION
D1	DRAIN TO SEWER, 3" PVC CONNECTION

LEGEND

NOTES

- 10 STANDARD LIQUID SUPPLY INLETS COMES WITH THREE SETS OF SIX FITTINGS. ONE SET OF 3/8" FITTINGS, ONE SET OF 1/2" FITTINGS, AND ONE SET OF PLUGS WHICH ARE SHIPPED ON MACHINE.
- 9 DO NOT PRE-PIPE ANY CLOSER THAN 60 [1524].
- 8 SHIM TO LEVEL THE MACHINE AND ALLOW FOR 1" [25] MINIMUM GROUT. ANCHOR ALL ANCHOR BOLT HOLES, OR THE WARRANTY WILL BE DECLARED INVALID. USE 5/8" X 6" BOLTS. MINIMUM SEE INSTALLATION MANUAL FOR FURTHER INSTRUCTIONS.
- 7 ABSOLUTE MINIMUM DISTANCE TO WALL IS 16 [406], BUT 24 [609] TO 36 [914] RECOMMENDED FOR SERVICE.
- 6 AS OTHER WIRINGS, THE MINIMUM CLEARANCE REQUIRED BY U.S. NATIONAL ELECTRICAL CODE SHALL BE MAINTAINED.
 - 36 [914] IF OBJECT IS AN UNGROUNDED (INSULATED) WALL.
 - 42 [1067] IF OBJECT IS A GROUNDED (INSULATED) WALL.
 - 48 [1219] IF OBJECT IS ANY LIVE PART.
- 5 CUSTOMER TO SUPPLY CIRCUIT BREAKER OR FUSED BRANCH CIRCUIT DISCONNECT (SAFETY) SWITCHES WITH LAG TYPE FUSES FROM POWER SOURCE TO MACHINE. A SEPARATE GROUND WIRE MUST BE CONNECTED FROM DISCONNECT TO EQUIPMENT.
- 4 BESIDES "Z" IS THE SAME FOR ALL MAJOR MACHINES AND IS SHOWN ON ALL DIMENSIONS. WIRING AND PIPING SHOULD BE INSTALLED TO MAINTAIN CLEARANCE TO FLOOR OR CEILING (WITH CHANGES IN FLOOR HEIGHT) AS REQUIRED TO INSURE THAT A MINIMUM 1" [25] THICK GROUT BED.
- 3 USE REFERENCE LINES "X", "Y", AND "Z" TO LOCATE ALL SERVICE CONNECTIONS.
- 2 NUMBERS IN BRACKETS [] DENOTE DIMENSIONS IN MILLIMETERS.
- 1 ALL DIMENSIONS SHOWN ARE APPROXIMATE. SUBJECT TO NORMAL MANUFACTURING TOLERANCES, AND TO OCCASIONAL CHANGES WITHOUT NOTICE THROUGH REDISIGN AND/OR RELOCATION OF COMPONENTS, ETC. DO NOT USE FOR CONSTRUCTION AND/OR RELOCATION. ALL DIMENSIONS ARE TO CENTERLINE UNLESS OTHERWISE SPECIFIED. DIMENSIONS IN BRACKETS [] ARE FOR CONSTRUCTION AND/OR RELOCATION. MACHINE FACTORY MUST BE CONSULTED FOR DIMENSIONS. THE MACHINE IS TO BE MOVED THROUGH NARROW OR LOW CORRIDORS OR OPENINGS.

ATTENTION

MOST REGULATORY AUTHORITIES (INCLUDING OSHA IN THE USA) HOLD THE OWNER/USER ULTIMATELY RESPONSIBLE TO MAINTAIN A SAFE WORKING ENVIRONMENT. ACCORDINGLY, THE OWNER/USER MUST RECOGNIZE ALL FORESEEABLE SAFETY HAZARDS, HURDLE SAFETY INSTRUCTIONS AND GUIDANCE TO ALL PERSONNEL WHO MAY COME IN CONTACT WITH THE MACHINE, AND THE PERMITTED SURROUNDING (ROUTING) FORKES AND/OR TRUCKS, FENCES, RESTRAINTS, DEVICES, ETC., NOT FINISHED BY THE EQUIPMENT MANUFACTURER OR VENDOR.

ATTENTION

THE FLOOR AND/OR OTHER SUPPORT COMPONENTS MUST HAVE SUFFICIENT STRENGTH (AND RIGIDITY WITH DUE CONSIDERATION FOR NATURAL OR RESONANT FREQUENCY THEREOF) TO WITHSTAND THE FULLY LOADED WEIGHT OF THE MACHINE INCLUDING THE GOODS, THE WATER, AND THE PERMITTED SURROUNDING (ROUTING) FORKES AND/OR TRUCKS, FENCES, RESTRAINTS, DEVICES, ETC., NOT FINISHED BY THE EQUIPMENT MANUFACTURER OR VENDOR.

30015T6X



BD3015T6XBE
2017466D